



US00D457994S

(12) **United States Design Patent**
Gomez et al.

(10) **Patent No.:** **US D457,994 S**
(45) **Date of Patent:** **** May 28, 2002**

(54) **BASE COVER FOR FLAT MOP HEADS**

(75) Inventors: **Estrella Cabrero Gomez; Carmen Martin Rivera; Jorge Castillo Sebastian**, all of Madrid (ES)

(73) Assignee: **3M Innovative Properties Company**, St. Paul, MN (US)

(**) Term: **14 Years**

(21) Appl. No.: **29/126,053**

(22) Filed: **Jul. 6, 2000**

(30) **Foreign Application Priority Data**

Jan. 14, 2000 (ES) 147349

(51) **LOC (7) Cl.** **04-01**

(52) **U.S. Cl.** **D32/40**

(58) **Field of Search** 15/104.94, 223, 15/224, 231, 247, 229.11, 209.1, 228, 244.2, 244.1, 244.3; 401/138-140, 132; D32/35, 40, 50

(56) **References Cited**

U.S. PATENT DOCUMENTS

- 3,761,991 A * 10/1973 Moss 15/229.11
- 4,852,210 A * 8/1989 Krajicek 15/228
- 4,993,099 A * 2/1991 Emura et al. 15/209.1 X
- 5,090,832 A * 2/1992 Rivera et al. 401/132
- 5,419,015 A * 5/1995 Garcia 15/228
- D423,157 S * 4/2000 Hodges D32/40

* cited by examiner

Primary Examiner—Jennifer Rivard

(74) *Attorney, Agent, or Firm*—Michaele A. Hakamaki; Peter L. Olson

(57) **CLAIM**

The ornamental design for a base cover for flat mop heads, as shown.

DESCRIPTION

FIG. 1 is a perspective view of a first embodiment of a base cover for flat mop heads according to the present invention;

FIG. 2 is a top plan view of the base cover for flat mop heads illustrated in FIG. 1;

FIG. 3 is a bottom plan view of the base cover for flat mop heads illustrated in FIG. 1;

FIG. 4 is a front view of the base cover for flat mop heads illustrated in FIG. 1, the rear view being the mirror image thereof;

FIG. 5 is a left side view of the base cover for flat mop heads illustrated in FIG. 1, the right side view being the mirror image thereof;

FIG. 6 is a perspective view of a second embodiment of a base cover for flat mop heads according to the present invention;

FIG. 7 is a top plan view of the base cover for flat mop heads illustrated in FIG. 6;

FIG. 8 is a bottom plan view of the base cover for flat mop heads illustrated in FIG. 6;

FIG. 9 is a front view of the base cover for flat mop heads illustrated in FIG. 6, the rear view being the mirror image thereof;

FIG. 10 is a left side view of the base cover for flat mop heads illustrated in FIG. 6, the right side view being the mirror image thereof;

FIG. 11 is a perspective view of a third embodiment of a base cover for flat mop heads according to the present invention;

FIG. 12 is a top plan view of the base cover for flat mop heads illustrated in FIG. 11;

FIG. 13 is a bottom plan view of the base cover for flat mop heads illustrated in FIG. 11;

FIG. 14 is a front view of the base cover for flat mop heads illustrated in FIG. 11, the rear view being the mirror image thereof;

FIG. 15 is a left side view of the base cover for flat mop heads illustrated in FIG. 11, the right side view being the mirror image thereof;

FIG. 16 is a perspective view of a fourth embodiment of a base cover for flat mop heads according to the present invention;

FIG. 17 is a top plan view of the base cover for flat mop heads illustrated in FIG. 16;

FIG. 18 is a bottom plan view of the base cover for flat mop heads illustrated in FIG. 16;

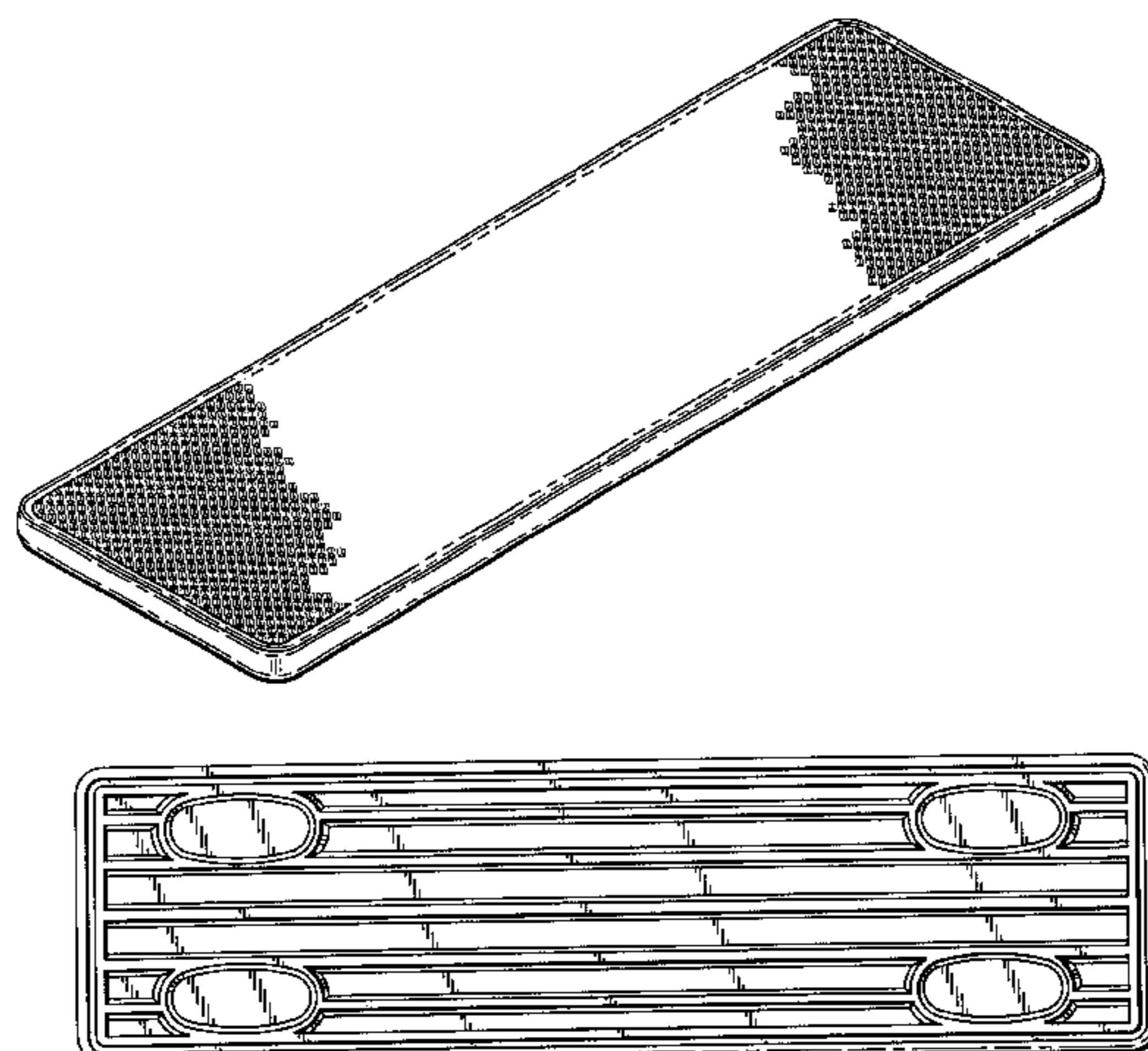


FIG. 19 is a front view of the base cover for flat mop heads illustrated in FIG. 16, the rear view being the mirror image thereof; and,

FIG. 20 is a left side view of the base cover for flat mop heads illustrated in FIG. 16, the right side view being the mirror image thereof.

The patterns on the base covers are fragmentarily shown for convenience of illustration. It is understood that the patterns are uniformly continuous over the covers.

1 Claim, 8 Drawing Sheets

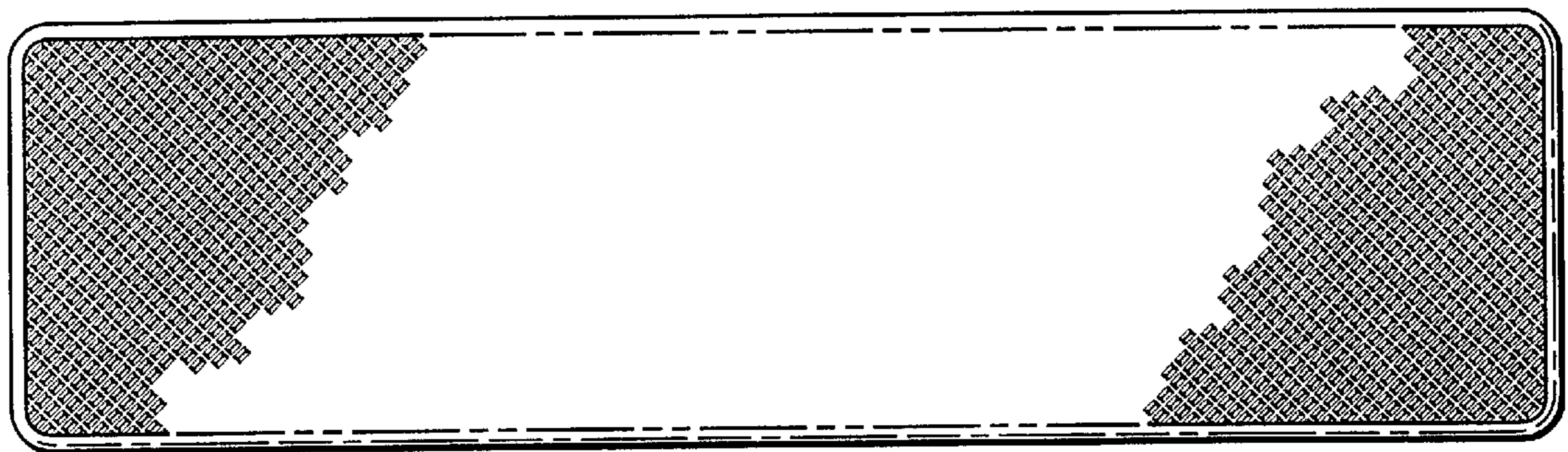
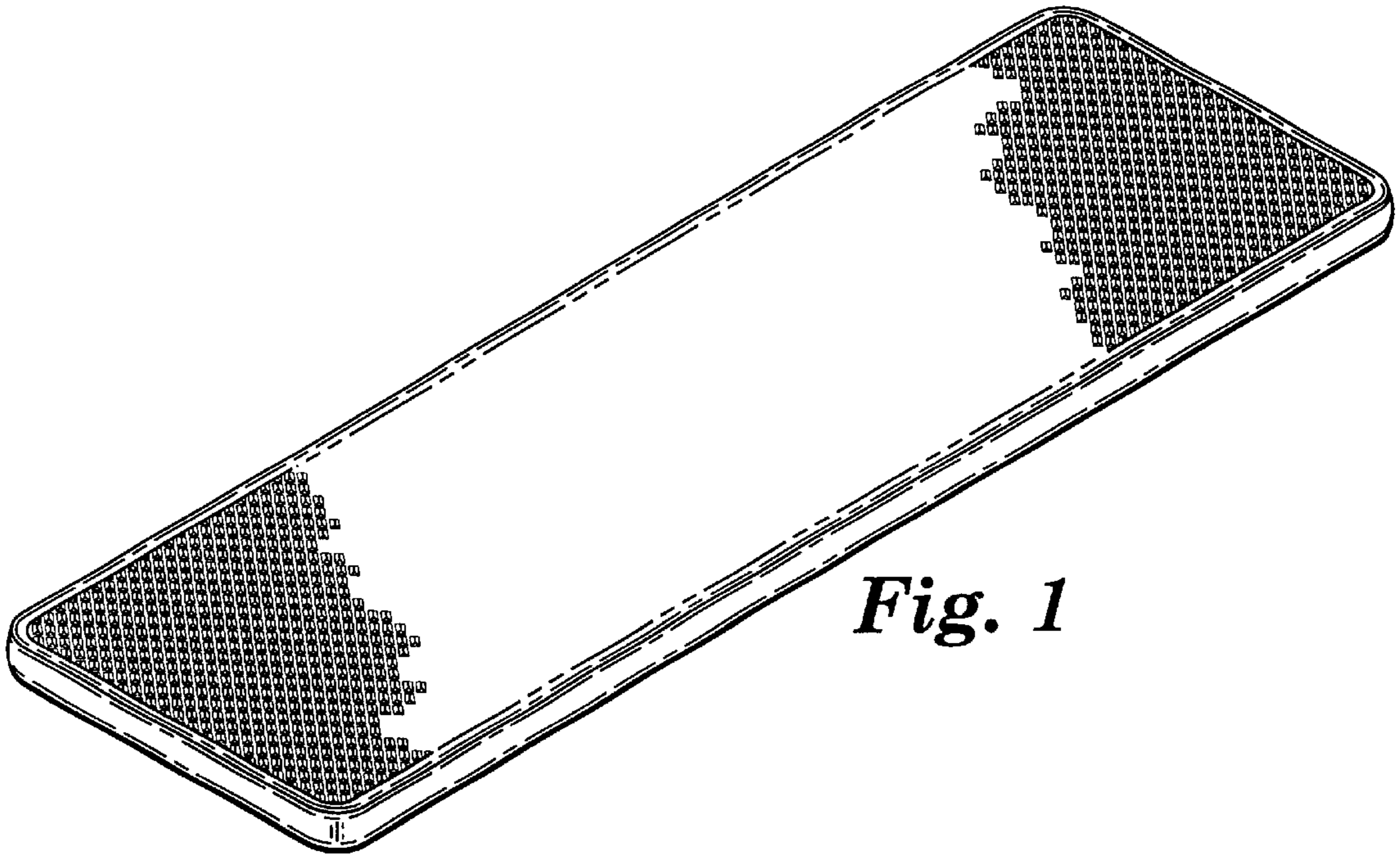


Fig. 2

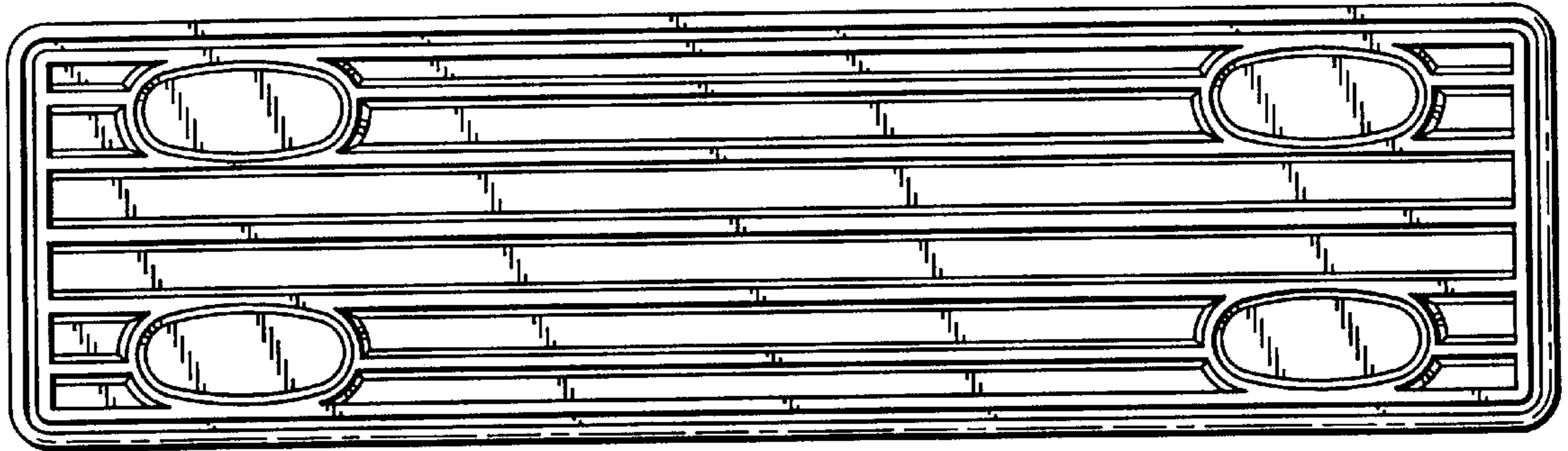


Fig. 3

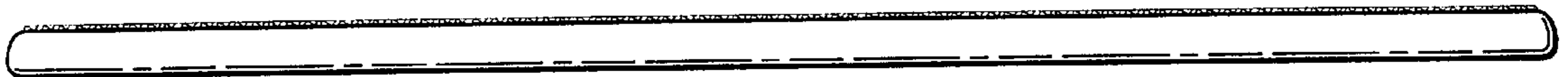


Fig. 4

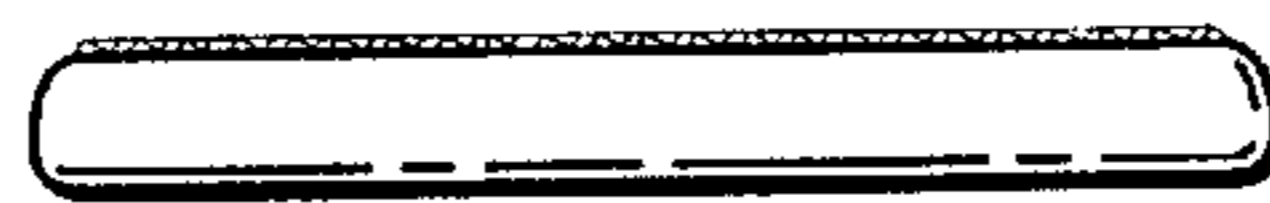


Fig. 5

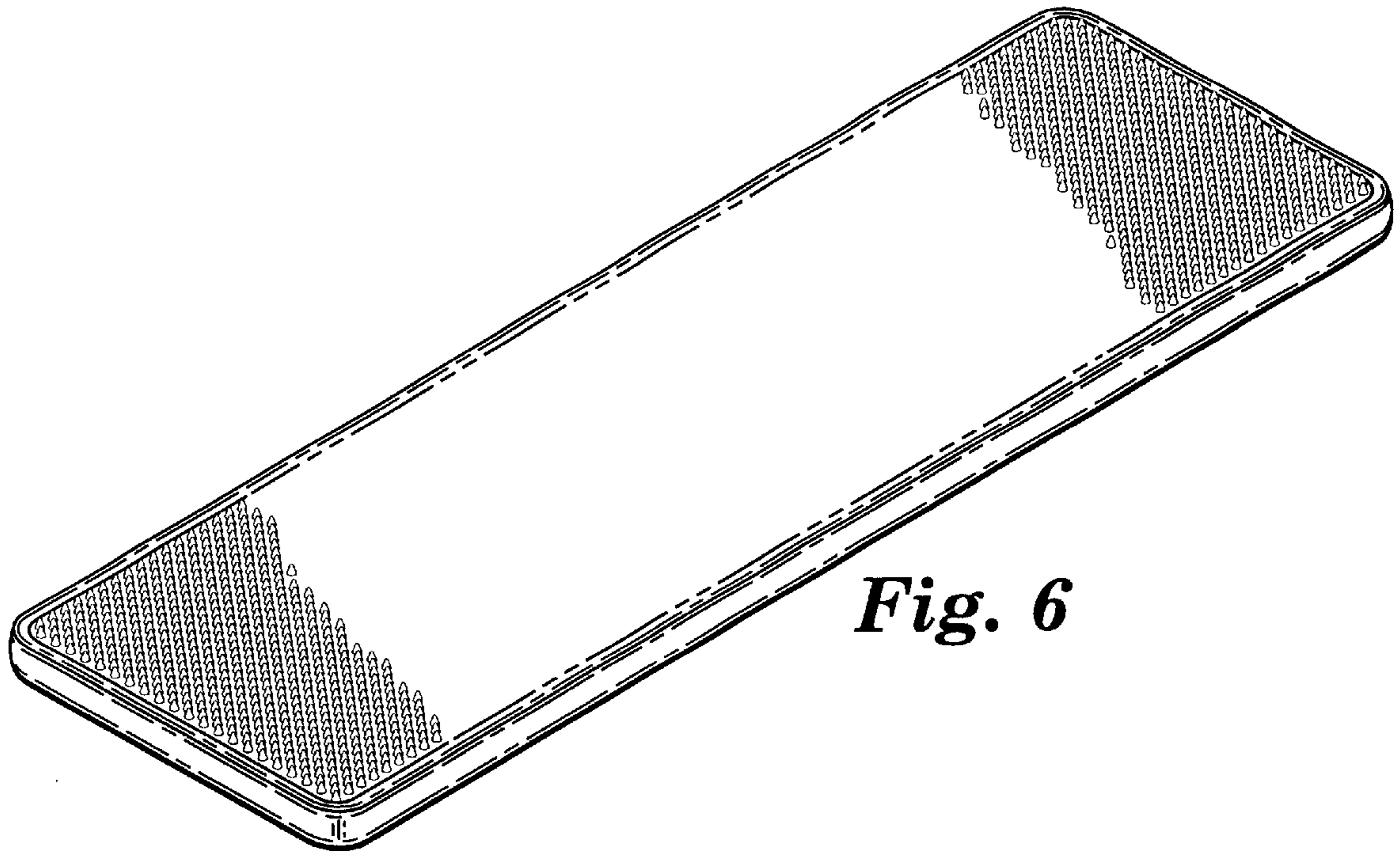


Fig. 6

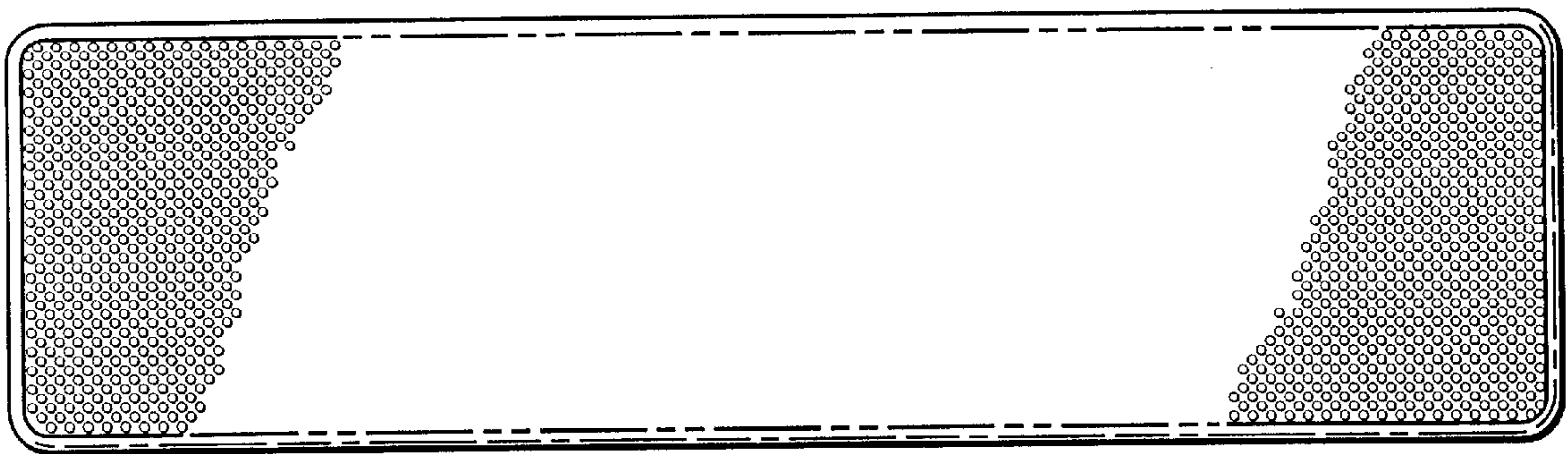


Fig. 7

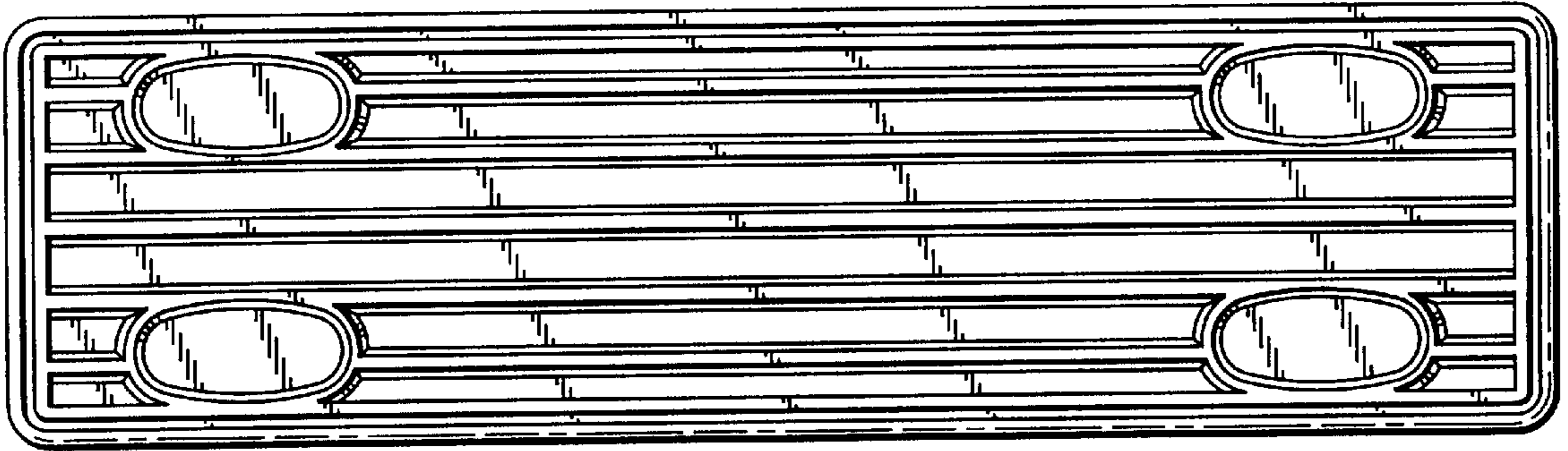


Fig. 8

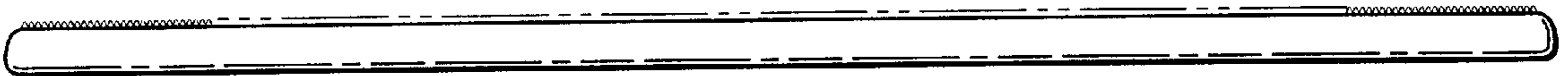


Fig. 9

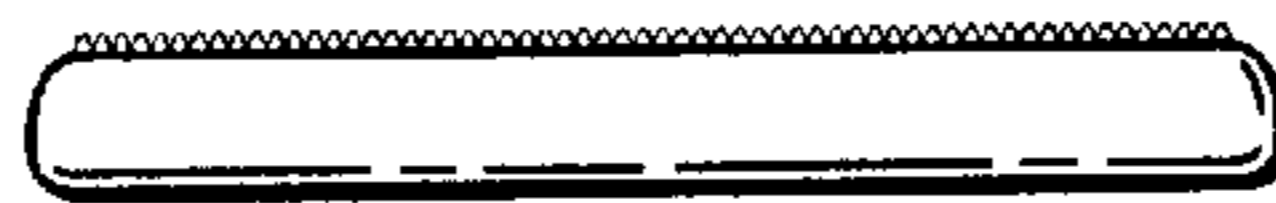


Fig. 10

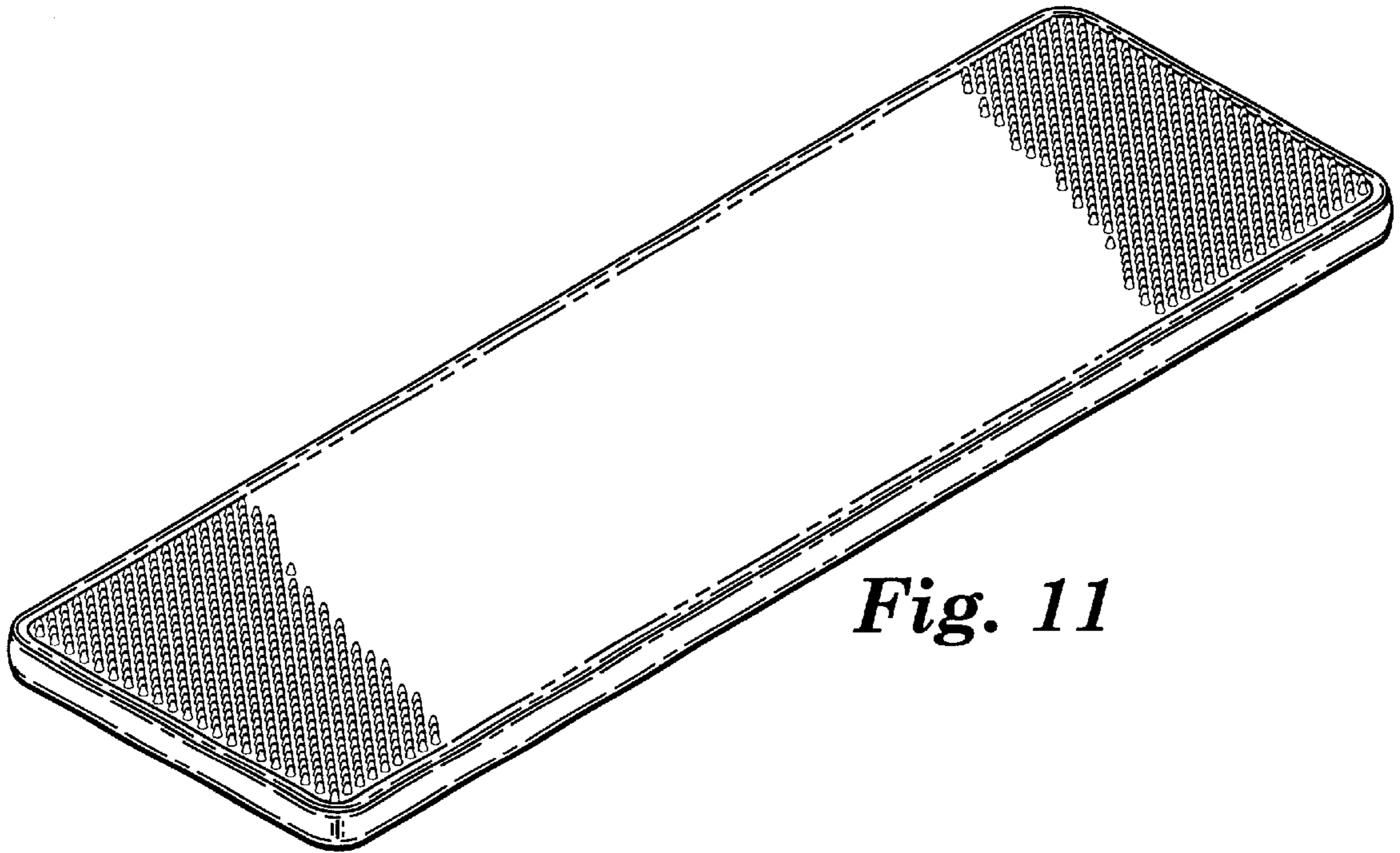


Fig. 11

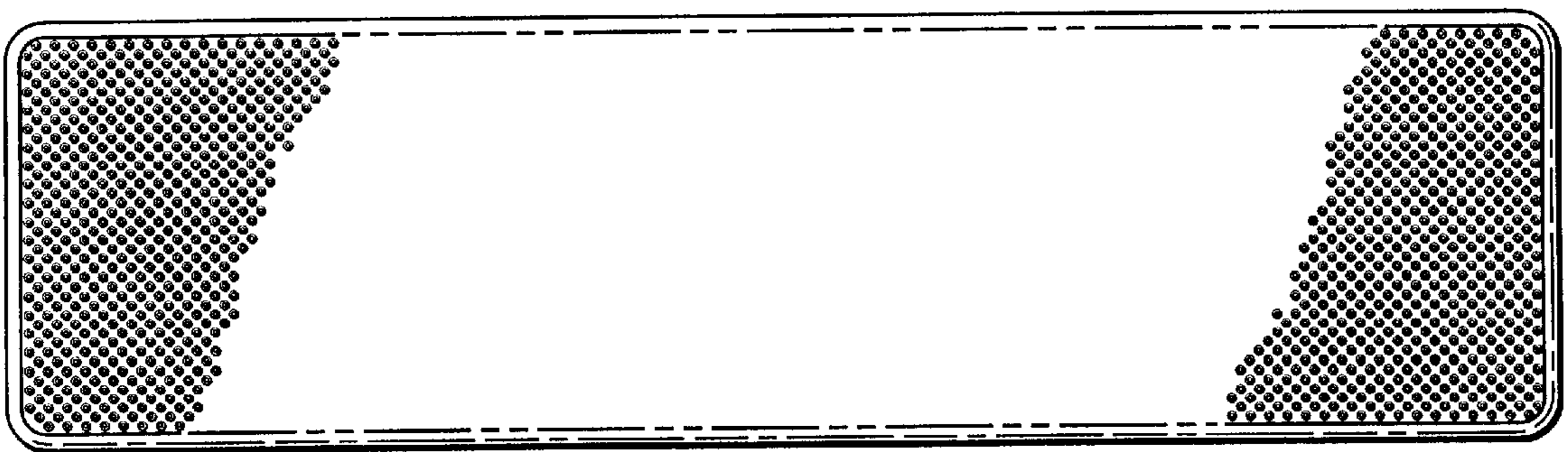


Fig. 12

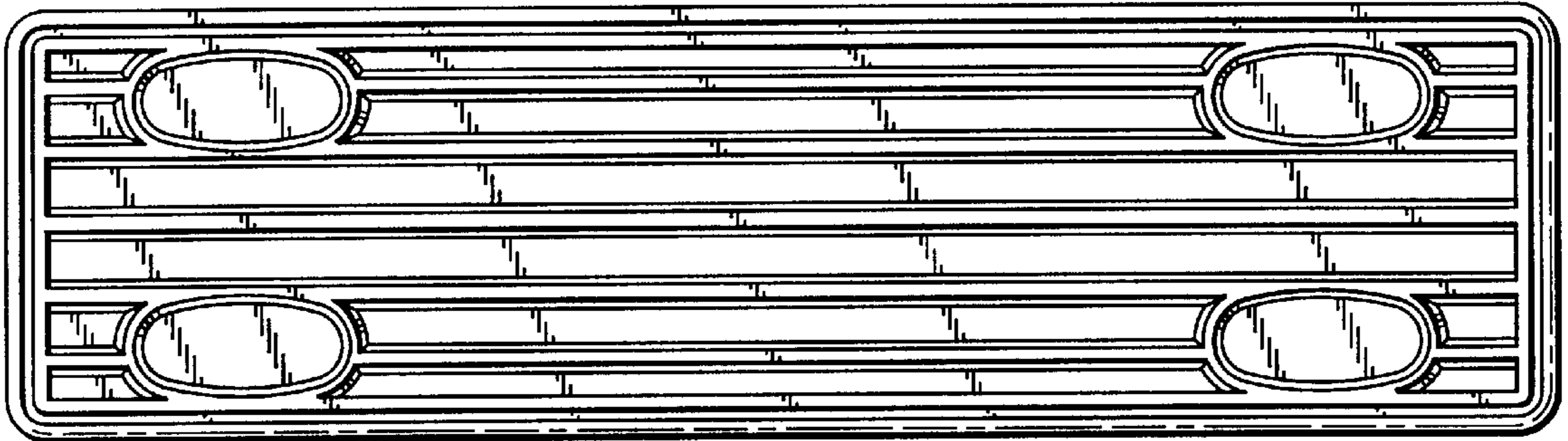


Fig. 13

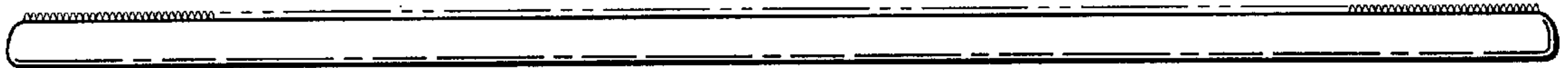


Fig. 14



Fig. 15

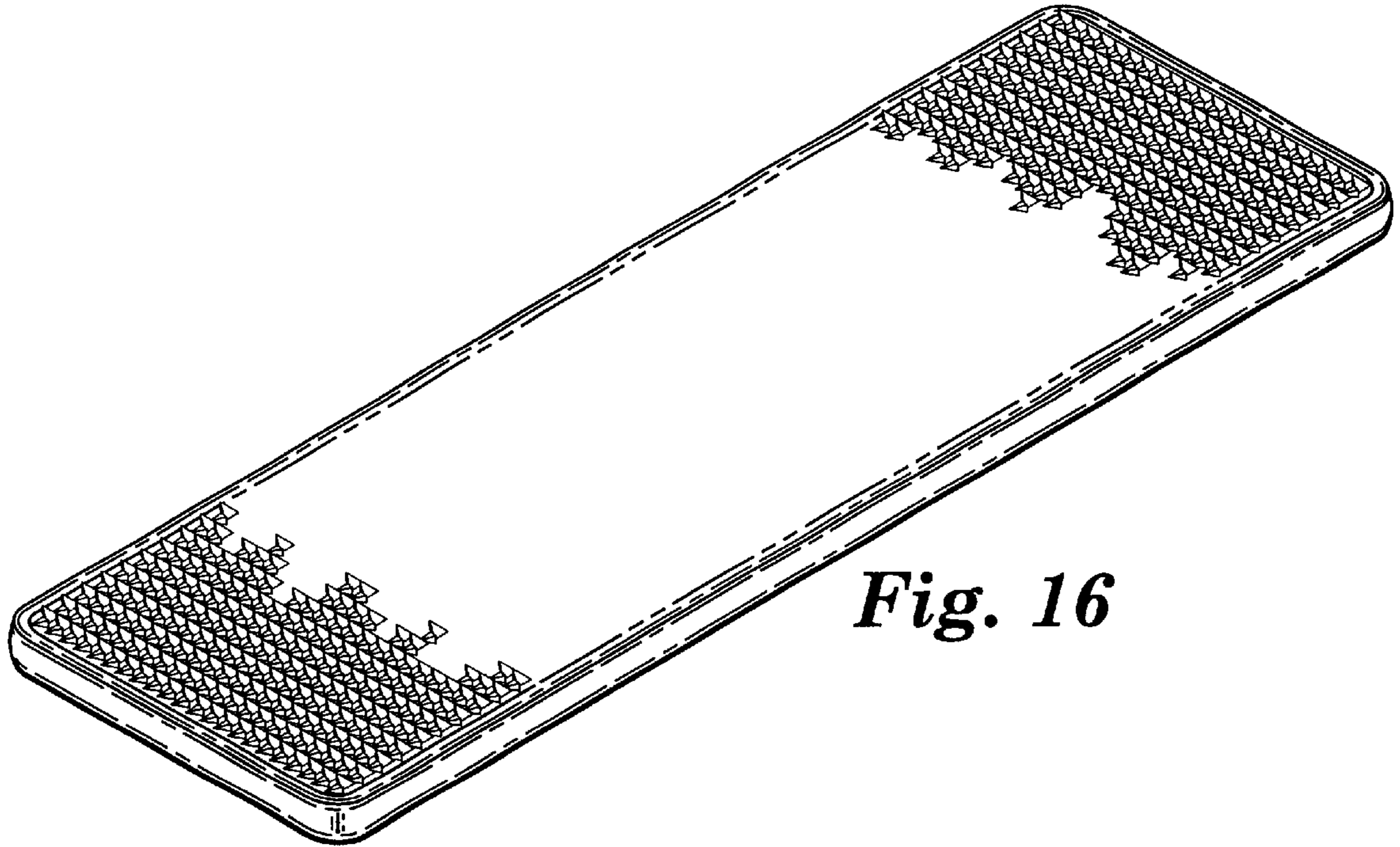


Fig. 16

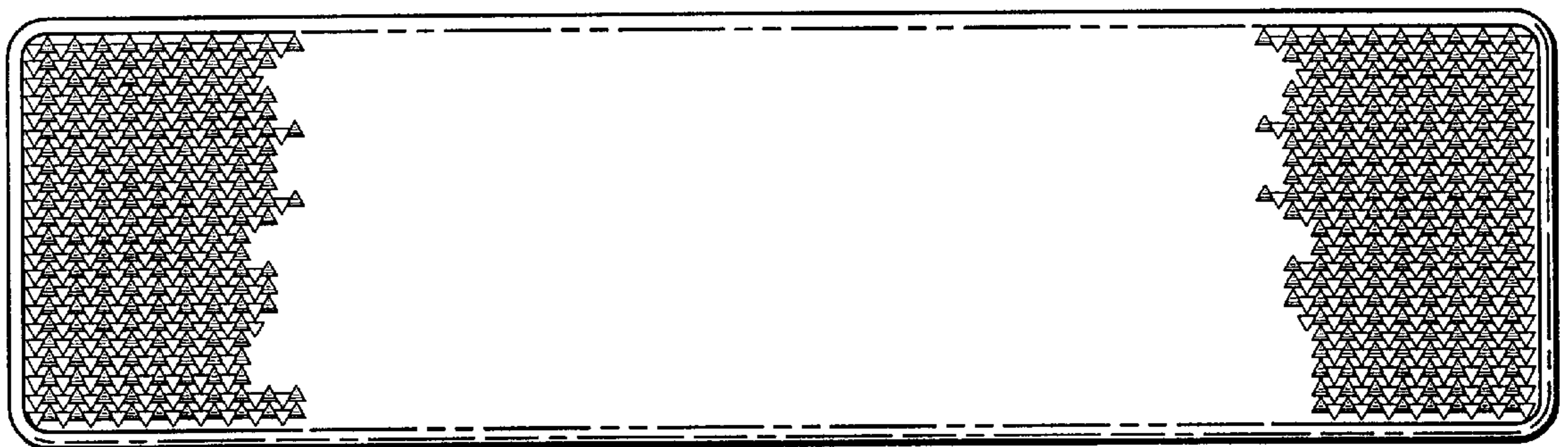


Fig. 17

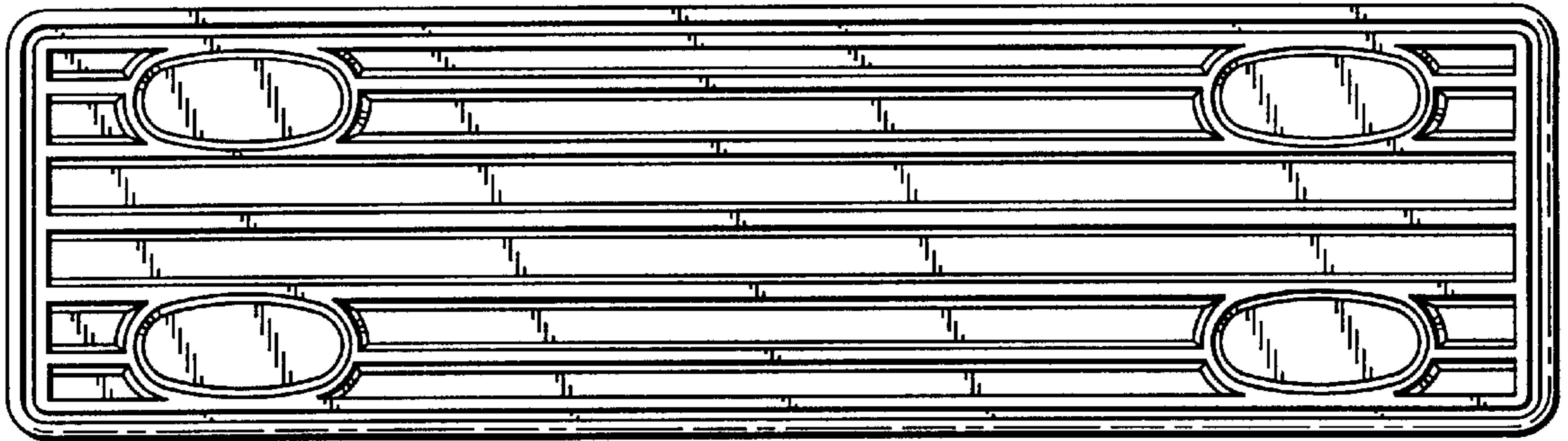


Fig. 18

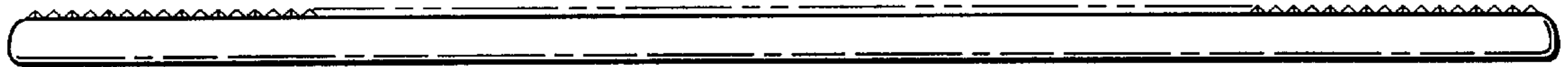


Fig. 19



Fig. 20