



US00D457988S

(12) **United States Design Patent**  
**Kerrigan**

(10) **Patent No.:** **US D457,988 S**

(45) **Date of Patent:** **\*\* May 28, 2002**

(54) **DOG PACK**

(57) **CLAIM**

(76) Inventor: **Nancy C. Kerrigan**, 43 Easton Ave.,  
Woburn, MA (US) 01801

The ornamental design for a dog pack, as shown and described.

(\*\*) Term: **14 Years**

**DESCRIPTION**

(21) Appl. No.: **29/143,983**

FIG. 1 is a right end perspective view of a dog pack which embodies the present design in full lines, the items shown in broken lines reflect objects placed inside of the dog pack as well as a dog upon which the dog pack is mounted and such items shown in broken lines are depicted for illustrative purposes only and form no part of the claimed design;

(22) Filed: **Jun. 25, 2001**

FIG. 2 is a left end perspective view thereof;

(51) **LOC (7) Cl.** ..... **30-01**

FIG. 3 is a top plan view thereof;

(52) **U.S. Cl.** ..... **D30/145**

FIG. 4 is a bottom plan view thereof;

(58) **Field of Search** ..... D30/152, 144,  
D30/145, 161, 169; D3/231; 224/42.11,  
241, 582, 505; 54/44.1; 119/850, 858, 907

FIG. 5 is a front elevational view thereof;

(56) **References Cited**

**U.S. PATENT DOCUMENTS**

FIG. 6 is a rear elevational view thereof;

D383,255 S	*	9/1997	Caditz	.....	D30/145
5,887,772 A	*	3/1999	Dooley	.....	119/858
D429,390 S	*	8/2000	Grady et al.	.....	D30/152
D429,391 S	*	8/2000	Grady et al.	.....	D30/152

FIG. 7 is a right side elevational view thereof; and,

\* cited by examiner

FIG. 8 is a left side elevational view thereof.

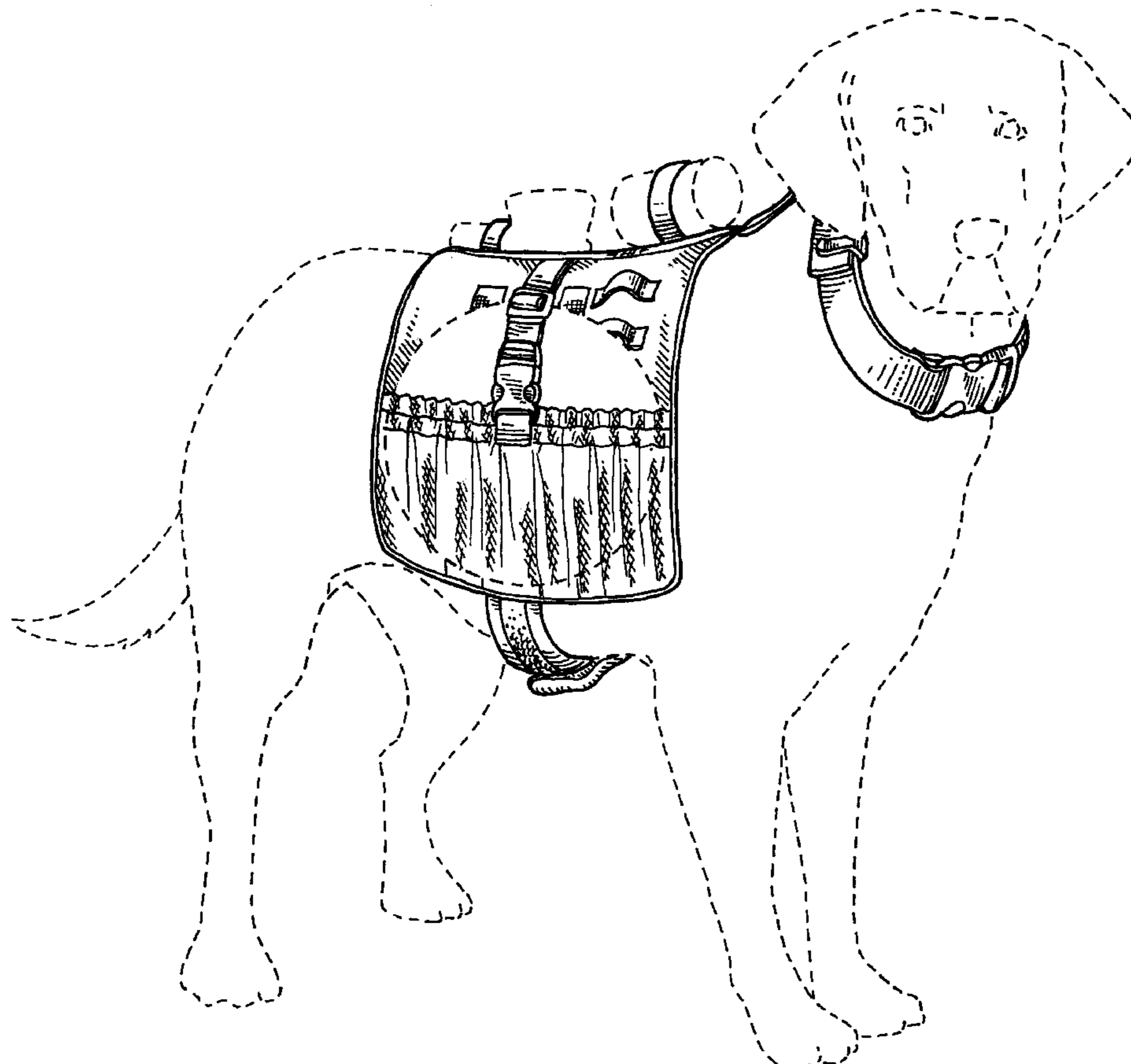
*Primary Examiner*—Pamela Burgess

The broken lines also shown in FIGS. 2, 3, 5, 6, 7 and 8 are for illustrative purposes only and form no part of the claimed design.

(74) *Attorney, Agent, or Firm*—Lambert & Associates, PLLC; Gary E. Lambert; Edward Timmer

It is understood that the discontinuous strap shown in FIGS. 3, 4, 5 and 6 indicates that said strap is of indeterminate length.

**1 Claim, 6 Drawing Sheets**



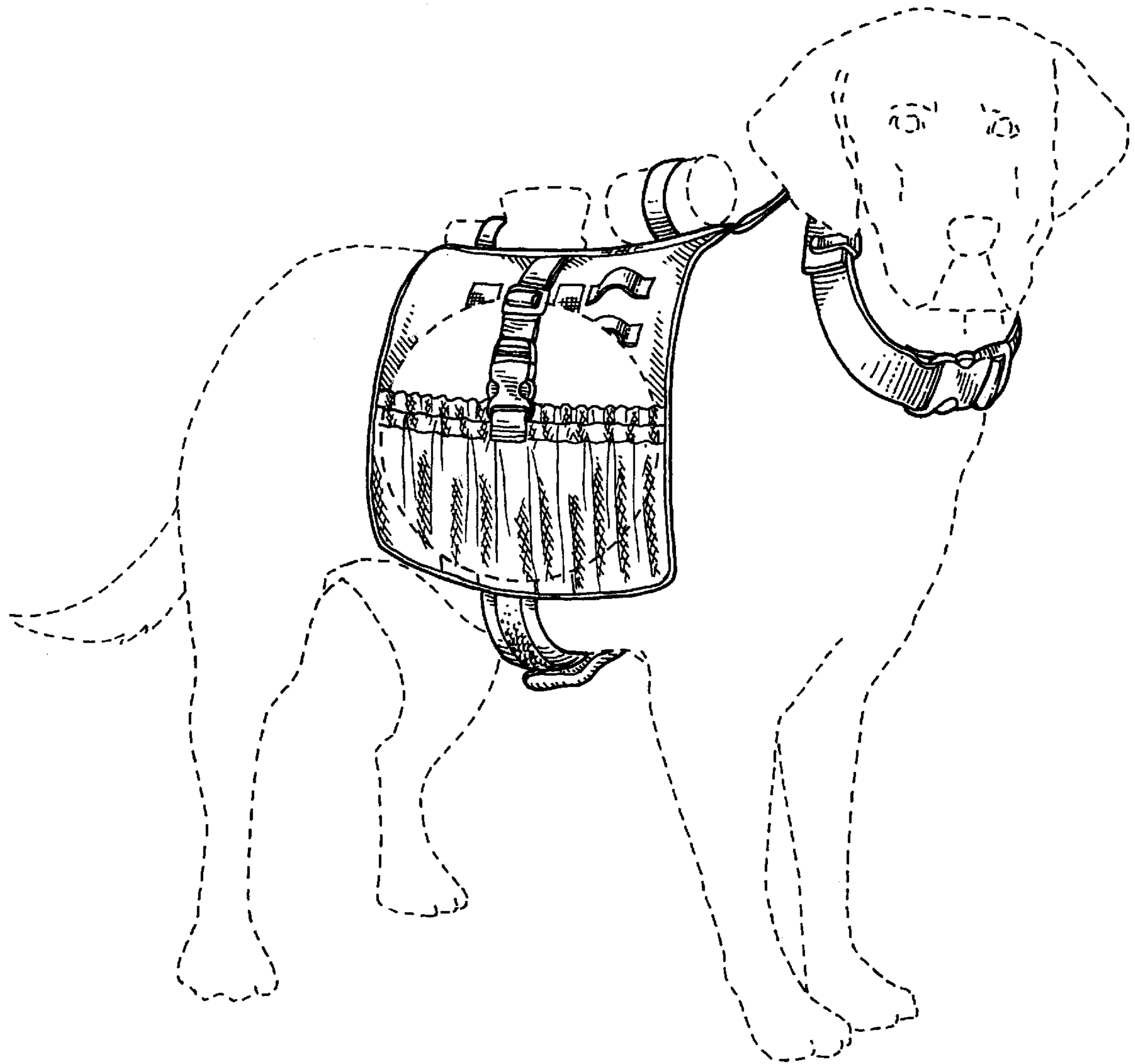


FIG. 1

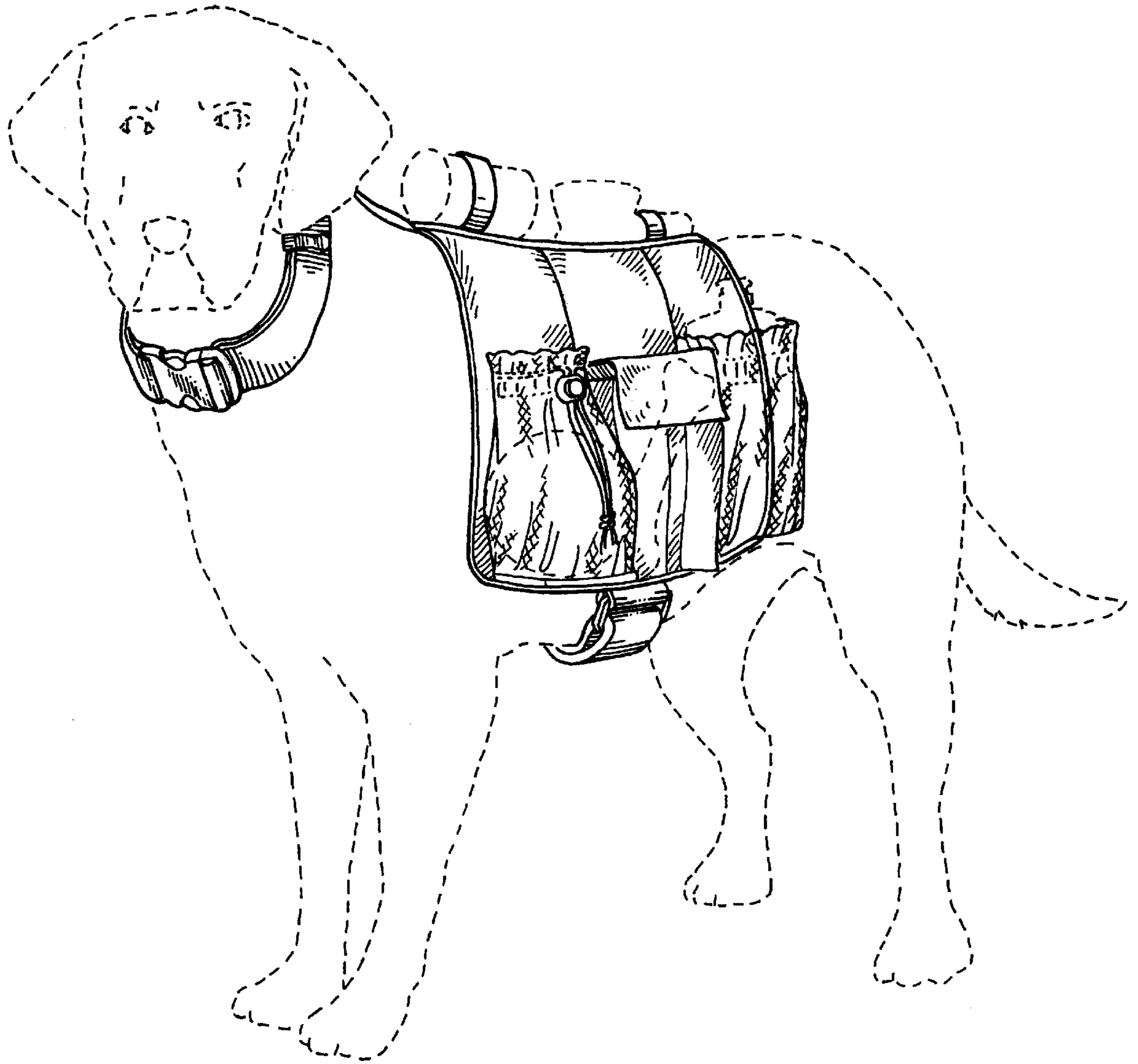


FIG. 2

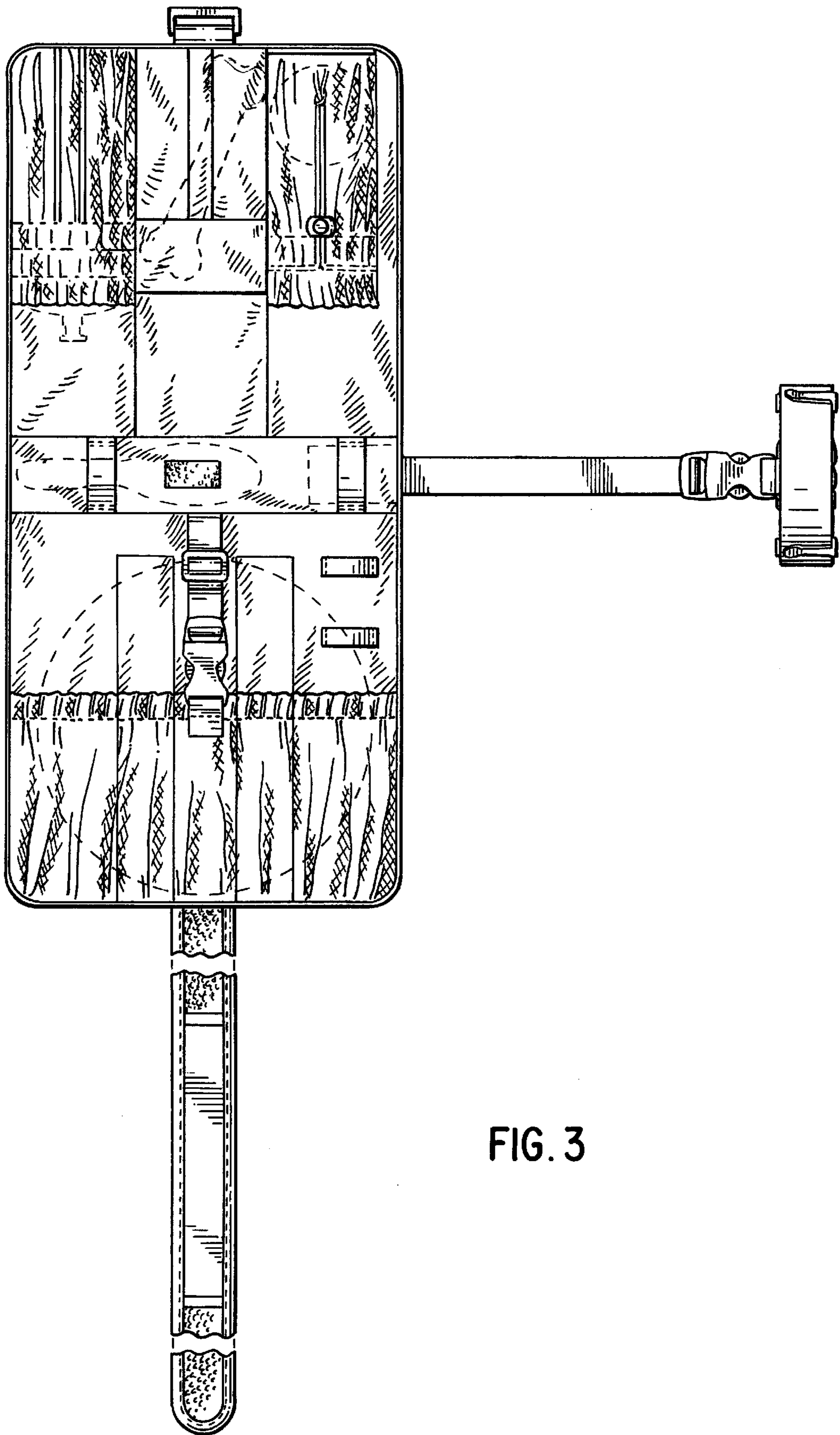


FIG. 3



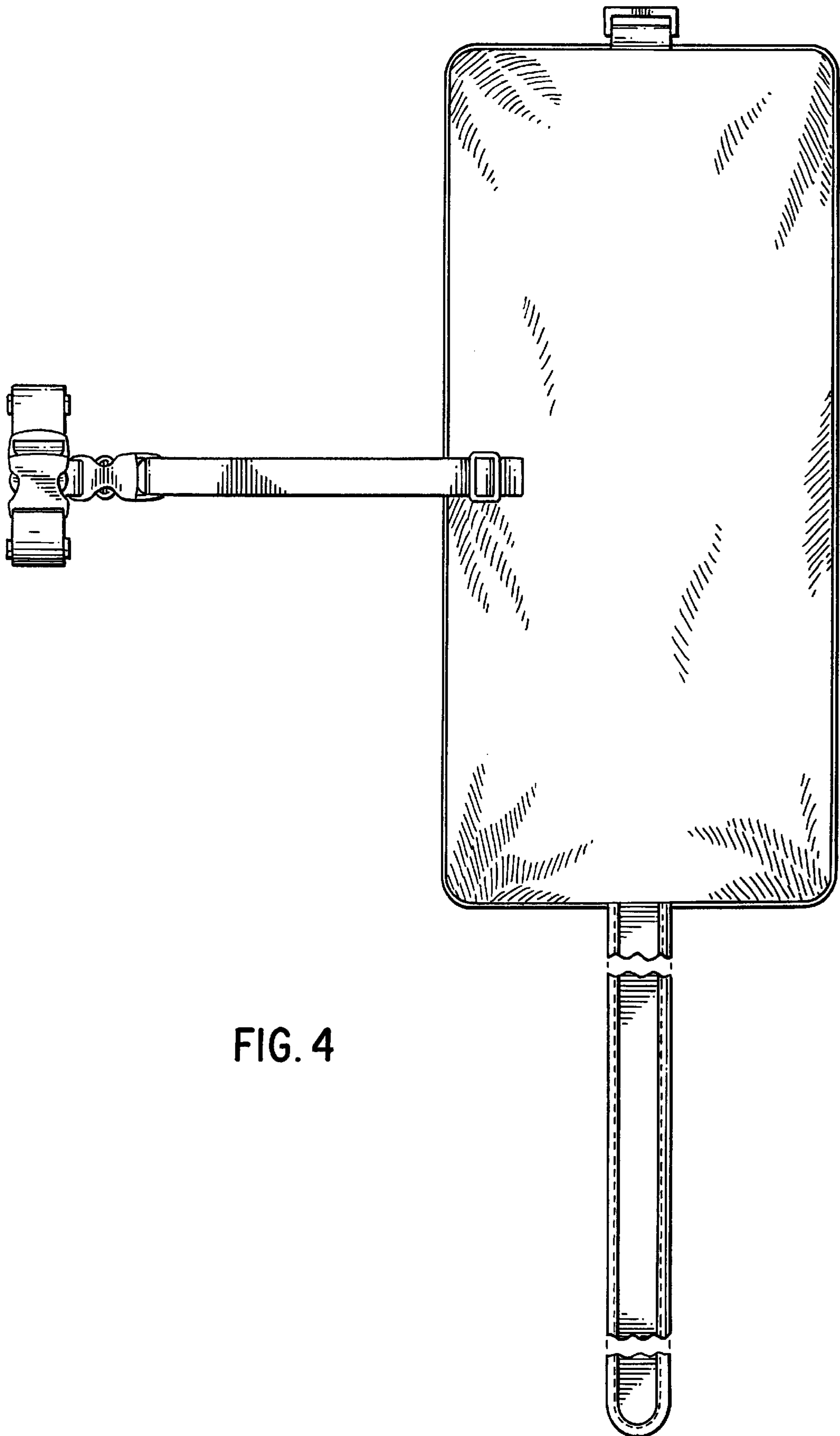


FIG. 4

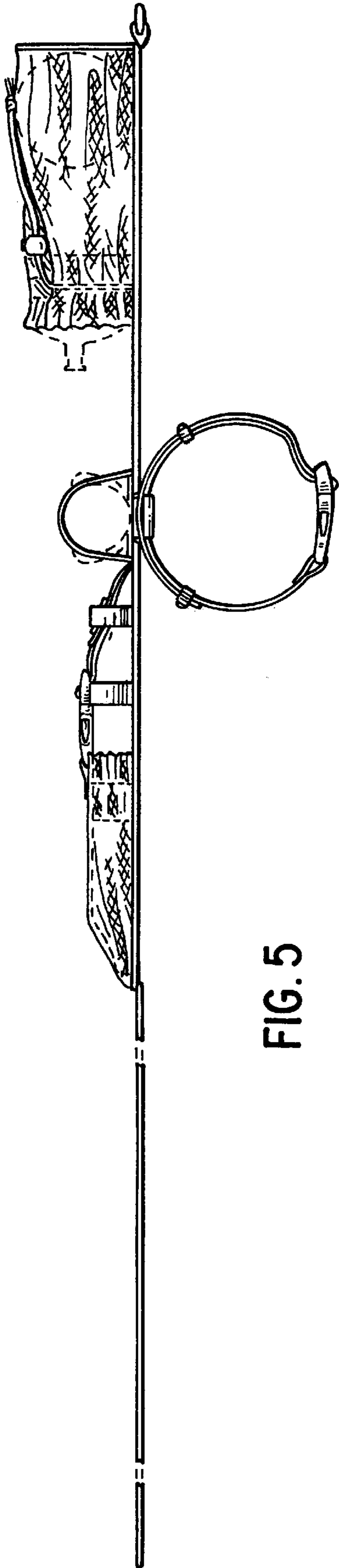


FIG. 5

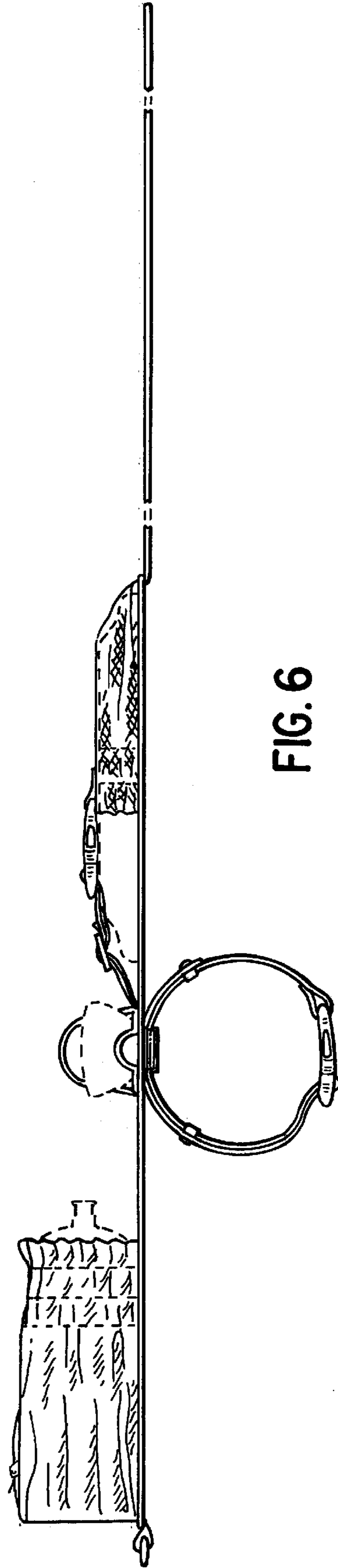


FIG. 6

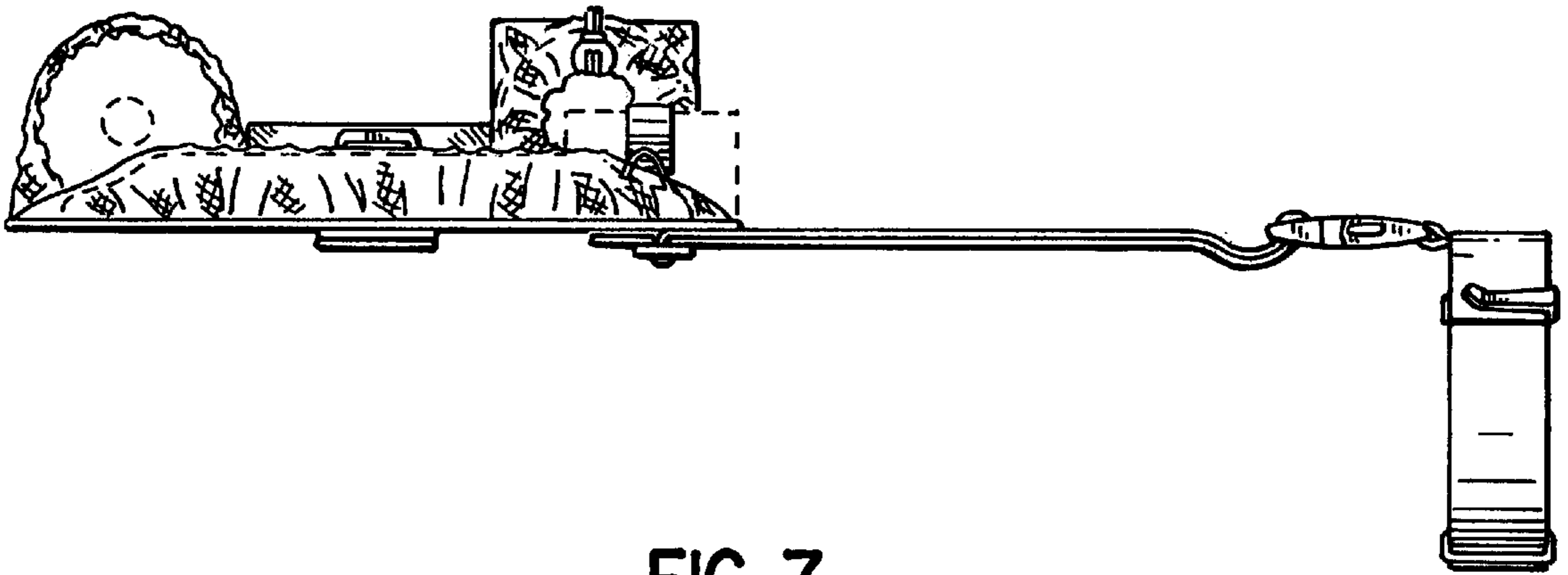


FIG. 7

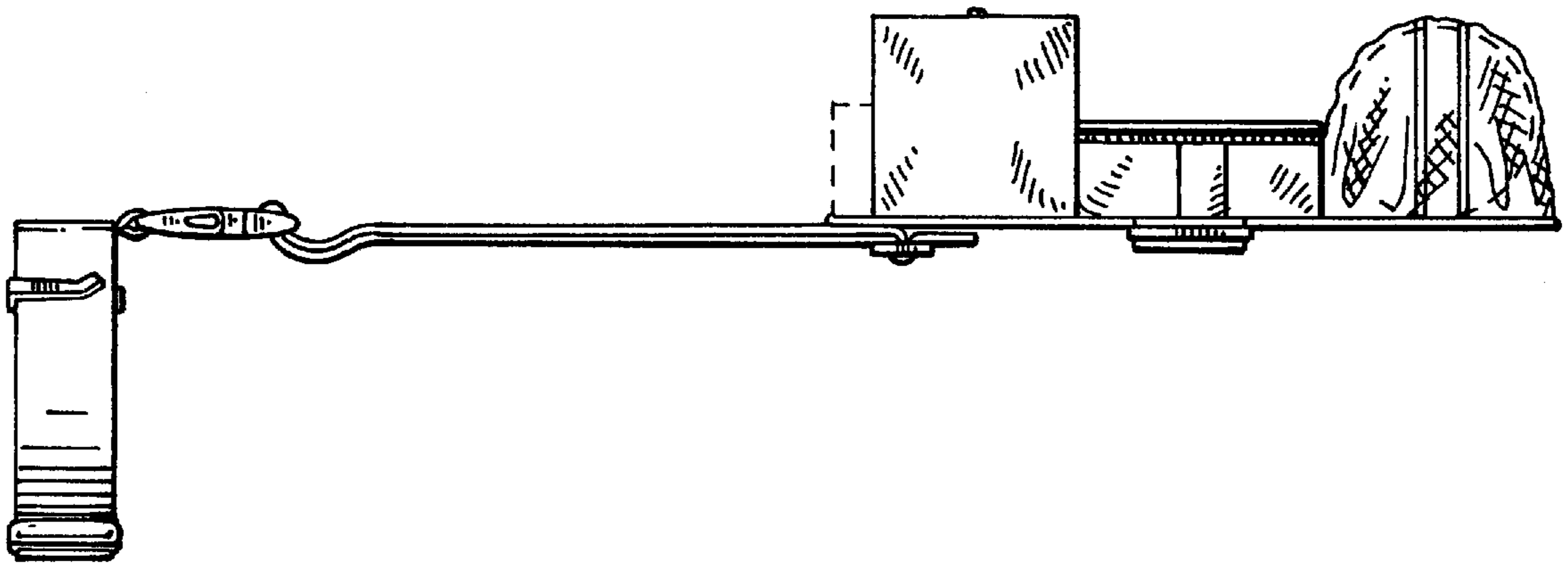


FIG. 8

UNITED STATES PATENT AND TRADEMARK OFFICE  
**CERTIFICATE OF CORRECTION**

PATENT NO. : Des. 457,988 S  
DATED : May 28, 2002  
INVENTOR(S) : Kerrigan

Page 1 of 1

It is certified that error appears in the above-identified patent and that said Letters Patent is hereby corrected as shown below:

Title page,  
Item [76], Inventors, "**Easton**" should read -- **Eaton** --.

Signed and Sealed this

Twenty-ninth Day of October, 2002

*Attest:*



*Attesting Officer*

JAMES E. ROGAN  
*Director of the United States Patent and Trademark Office*