



US00D457987S

(12) **United States Design Patent**
Cheng

(10) **Patent No.:** **US D457,987 S**

(45) **Date of Patent:** **** May 28, 2002**

(54) **BRACKET FOR SAFETY VISORS**

(75) Inventor: **Chen-San Cheng**, Taipei (TW)

(73) Assignee: **Polison Corporation**, Kaohsiung (TW)

(**) Term: **14 Years**

(21) Appl. No.: **29/146,457**

(22) Filed: **Aug. 10, 2001**

(51) **LOC (7) Cl.** **29-02**

(52) **U.S. Cl.** **D29/122**

(58) **Field of Search** D29/102-112,
D29/122; 2/422-425, 9, 410-412, 414,
416, 417, 171.3, 209, 455, 174, 7-8; D14/205,
206, 223; 181/129-130; 128/857, 864,
866, 867; D2/894; D28/41; D24/105, 106

(56) **References Cited**

U.S. PATENT DOCUMENTS

3,868,727 A * 3/1975 Paschall 2/8
D254,638 S * 4/1980 Bay, Jr. D29/109

D306,363 S * 2/1990 Stackhouse et al. D29/110
D320,869 S * 10/1991 Asbury et al. D29/108
D375,583 S * 11/1996 Landis et al. D29/108
6,016,808 A * 1/2000 Landis 128/857

* cited by examiner

Primary Examiner—Ruth McInroy

(74) *Attorney, Agent, or Firm*—A & J

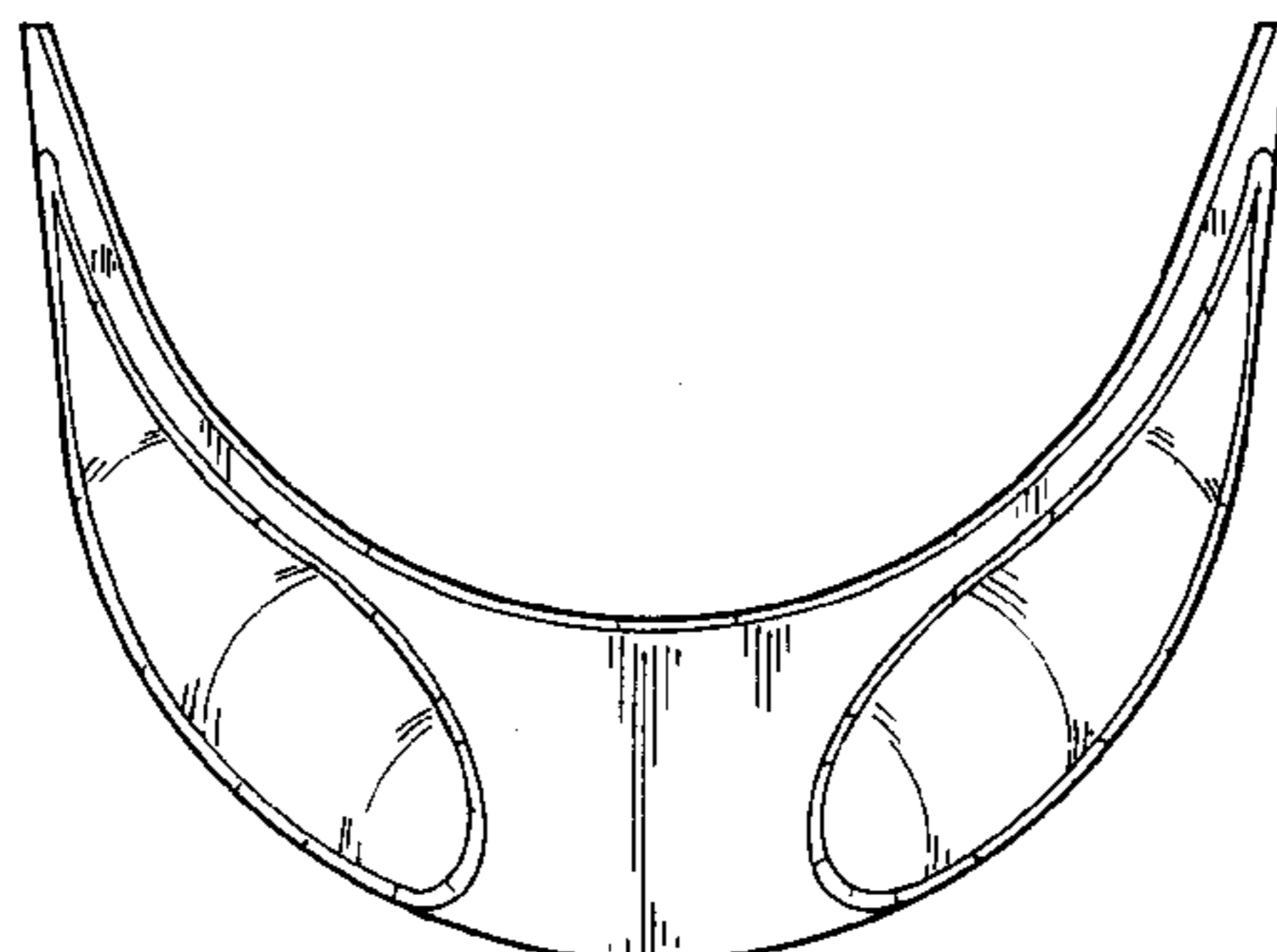
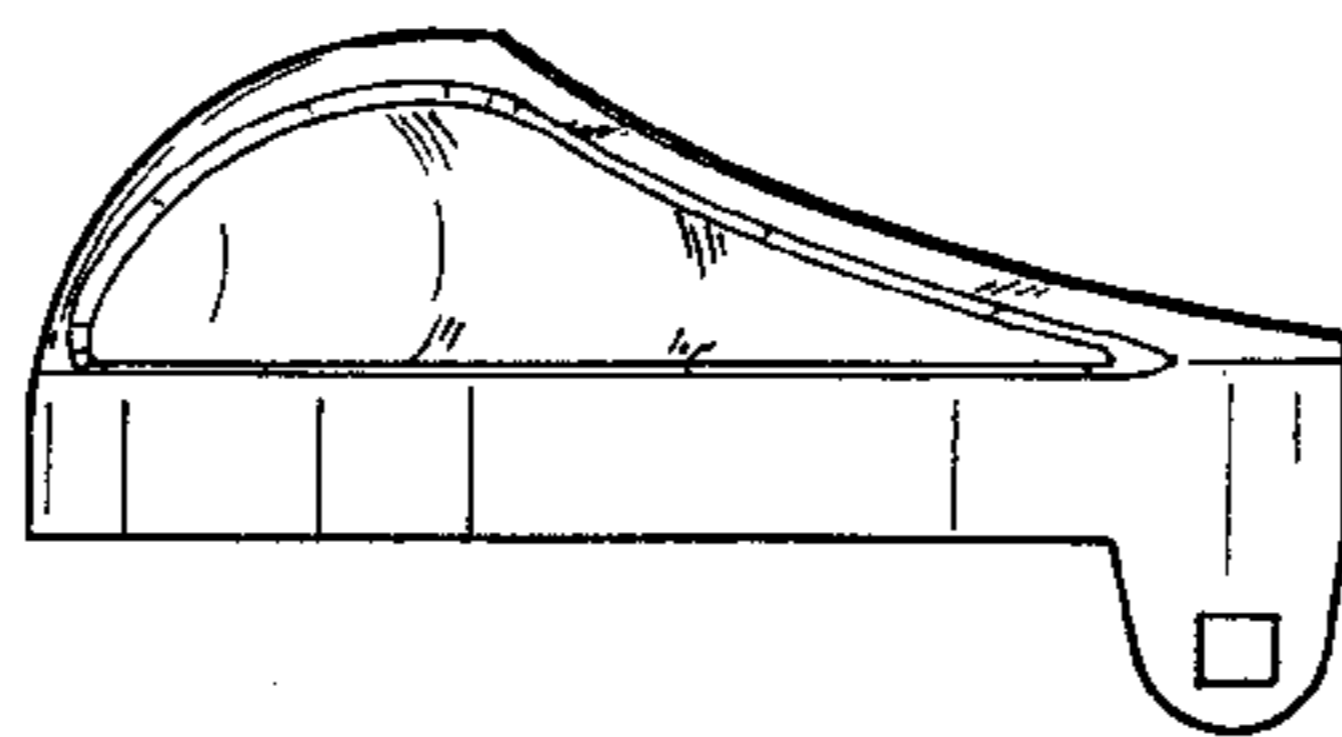
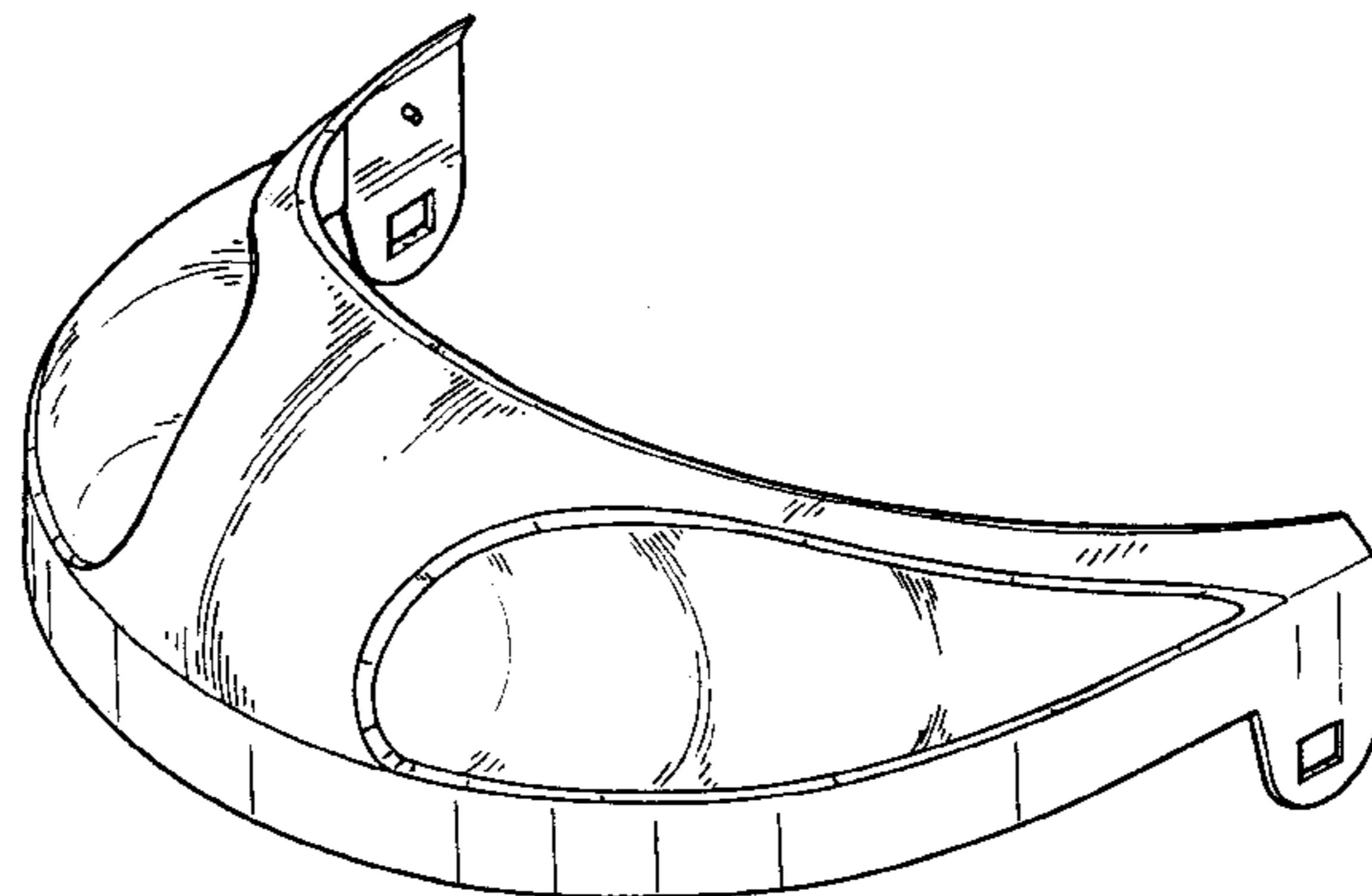
(57) **CLAIM**

The ornamental design for a bracket for safety visors, as shown and described.

DESCRIPTION

FIG. 1 is a perspective view of a bracket for safety visors showing my new design;
FIG. 2 is a front elevation view thereof;
FIG. 3 is a rear elevation view thereof;
FIG. 4 is a left side elevation view thereof;
FIG. 5 is a right side elevation view thereof;
FIG. 6 is a top plan view thereof; and,
FIG. 7 is a bottom plan view thereof.

1 Claim, 3 Drawing Sheets



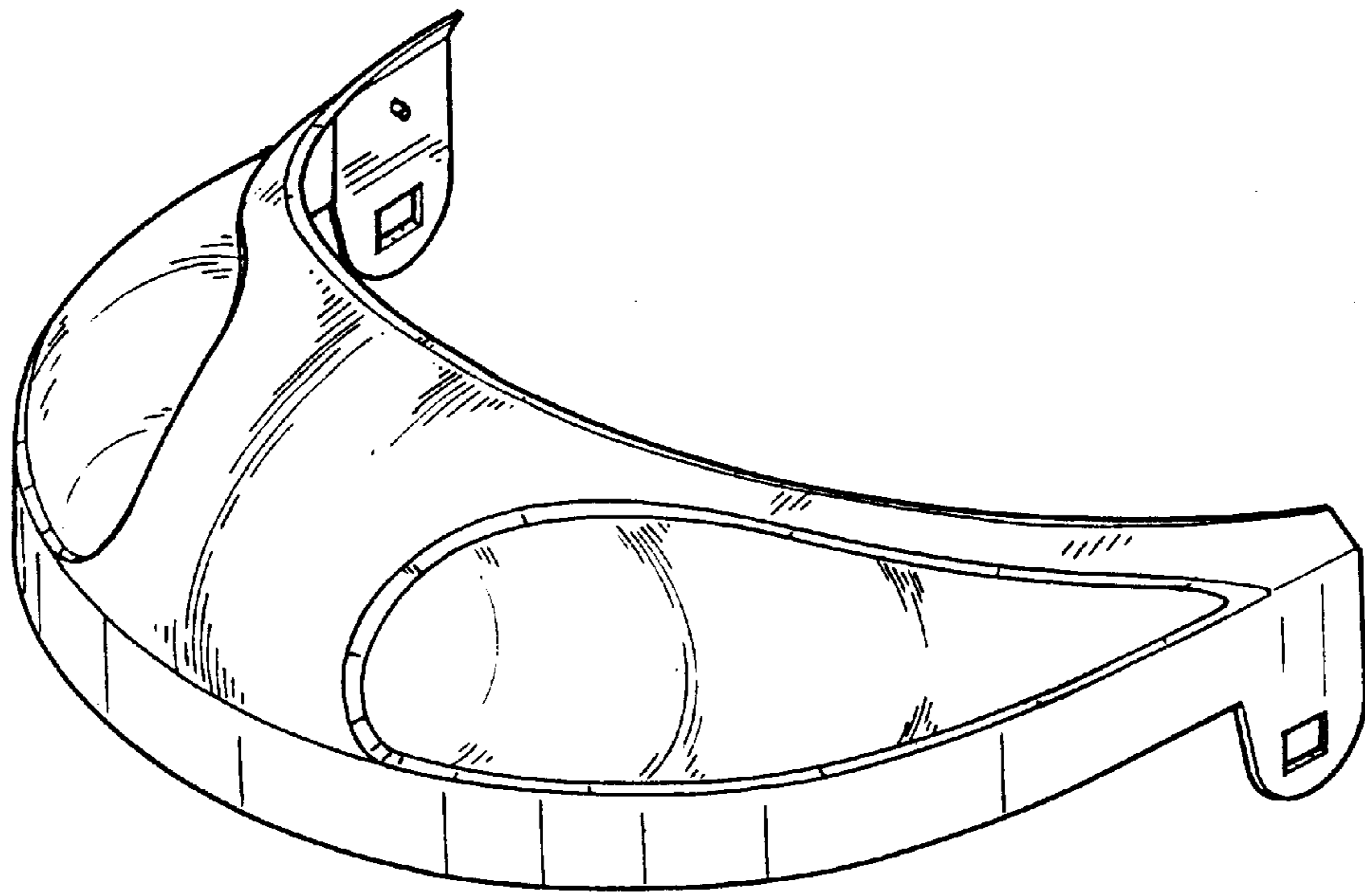


FIG. 1

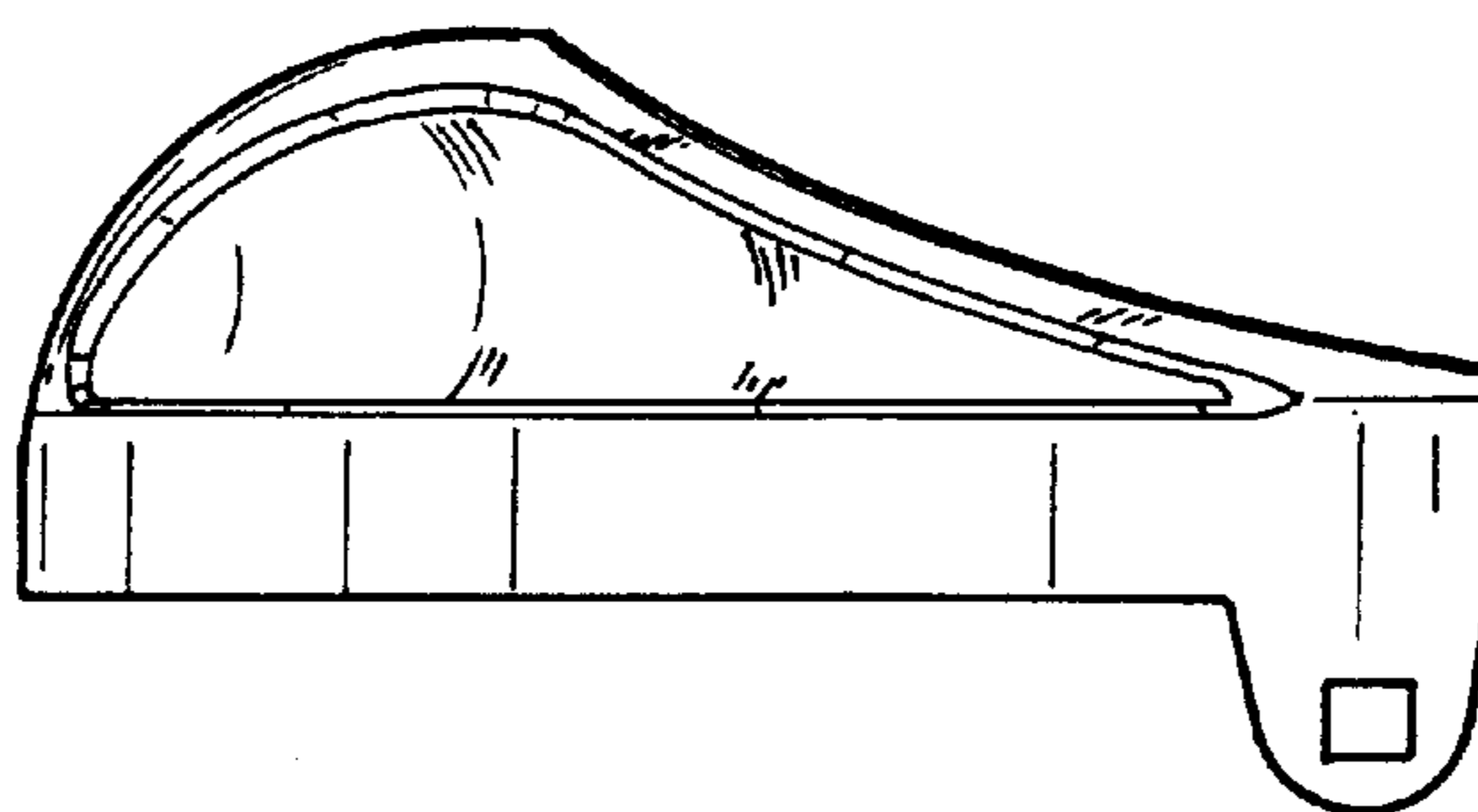


FIG. 5

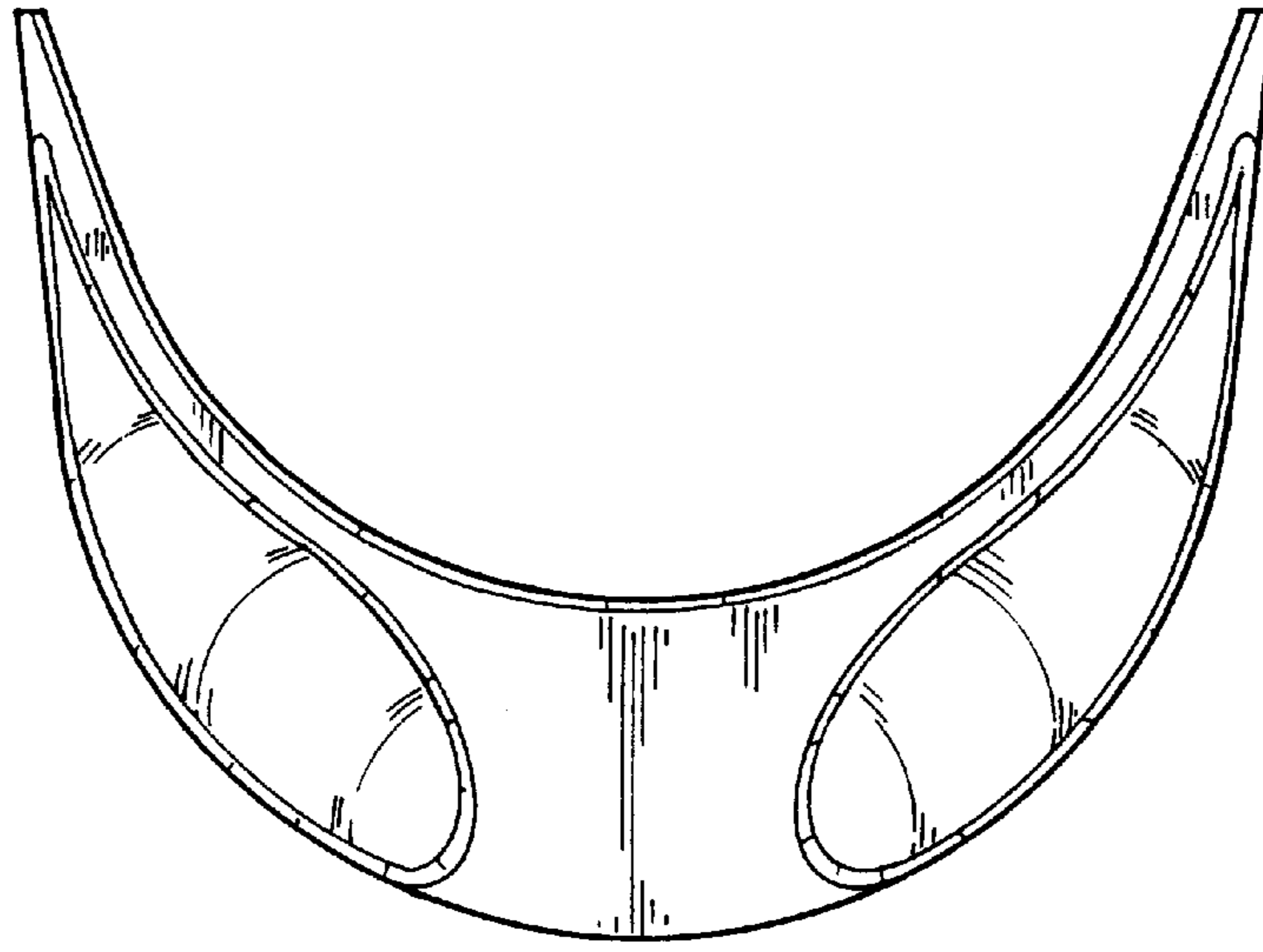


FIG. 6

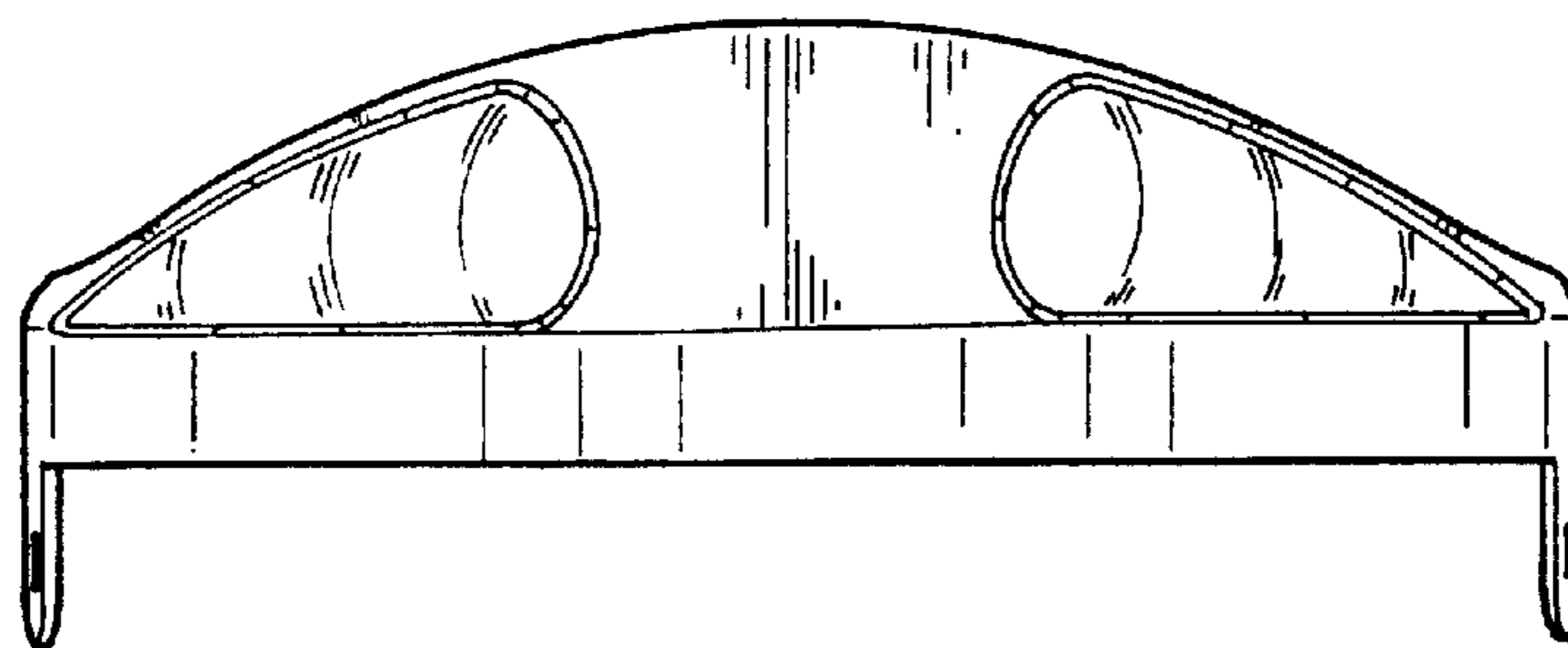


FIG. 2

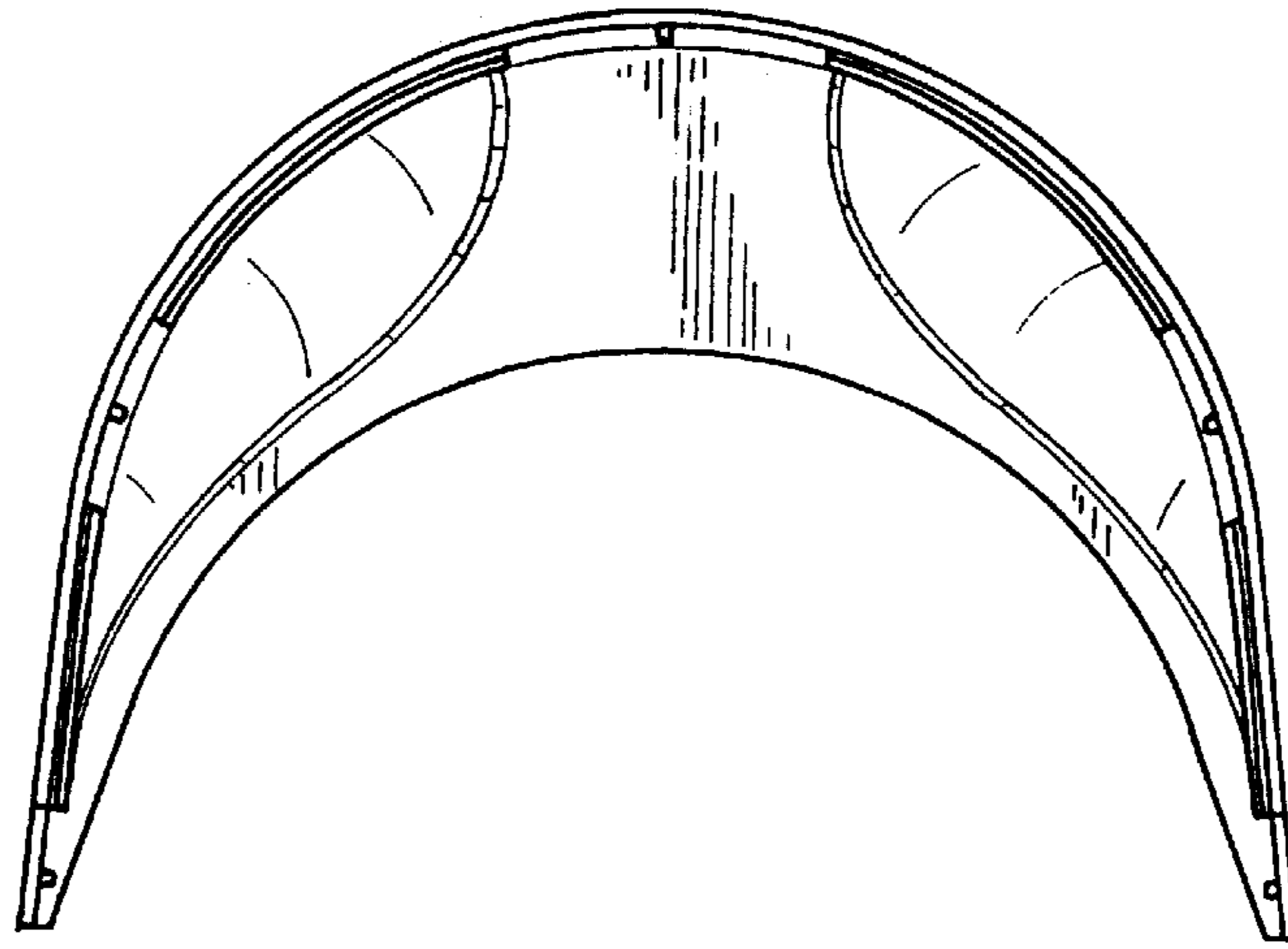


FIG. 7

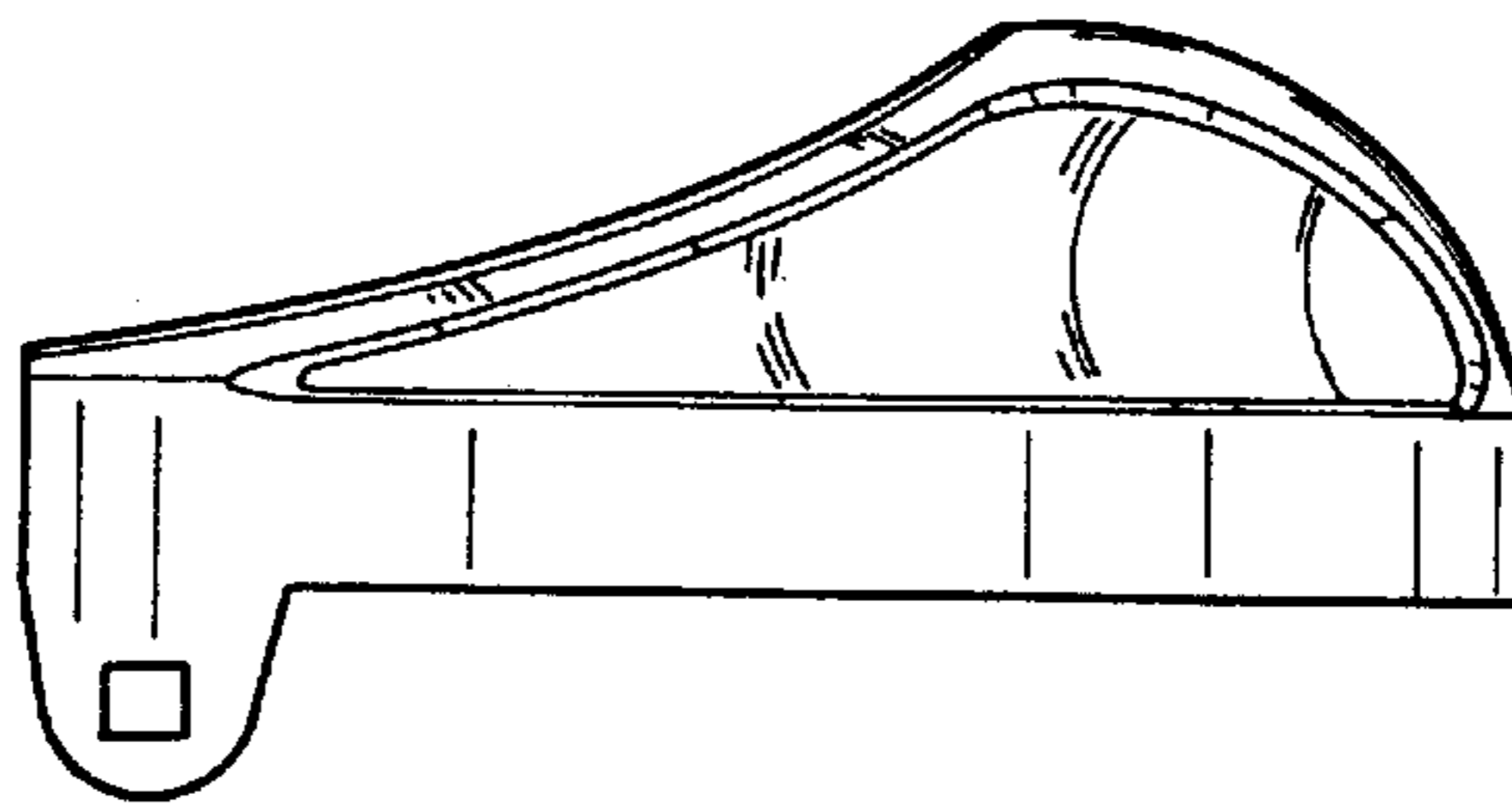


FIG. 4

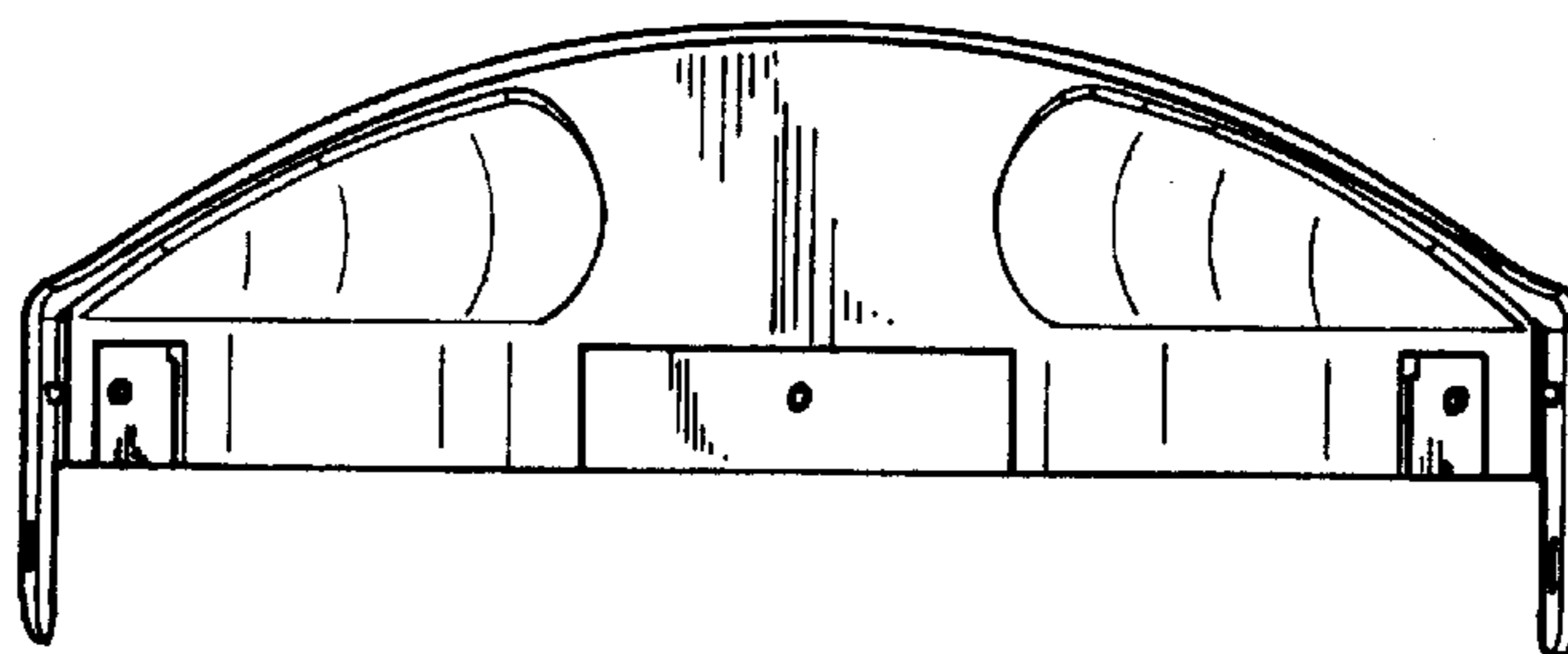


FIG. 3