



US00D457986S

(12) **United States Design Patent**
Rodriguez et al.

(10) **Patent No.: US D457,986 S**

(45) **Date of Patent: ** May 28, 2002**

(54) **COSMETIC CONTAINER**

D401,017 S * 11/1998 Thorpe D28/78
D402,412 S * 12/1998 Thorpe D28/82

(75) Inventors: **Jack Rodriguez**, Verona, NJ (US);
Charles Chang, 55 Westview Rd.,
Wayne, NJ (US) 07470

OTHER PUBLICATIONS

Beauty Fashion Apr. 1989, page unknown: closed compact
at center.*

* cited by examiner

Primary Examiner—Ted Shooman

Assistant Examiner—C Tuttle

(74) *Attorney, Agent, or Firm*—Richard A. Joel, Esq.

(73) Assignee: **Charles Chang**

(**) Term: **14 Years**

(21) Appl. No.: **29/143,609**

(22) Filed: **Jul. 2, 2001**

(57) **CLAIM**

The ornamental design for cosmetic container, as shown and
described.

Related U.S. Application Data

(62) Division of application No. 29/123,787, filed on May 25,
2000, now Pat. No. Des. 449,410.

DESCRIPTION

(51) **LOC (7) Cl.** **28-03**

(52) **U.S. Cl.** **D28/78**

(58) **Field of Search** D28/76-83; D9/418,
D9/420, 423; 132/293, 307; 206/235, 581,
823; 220/DIG. 26

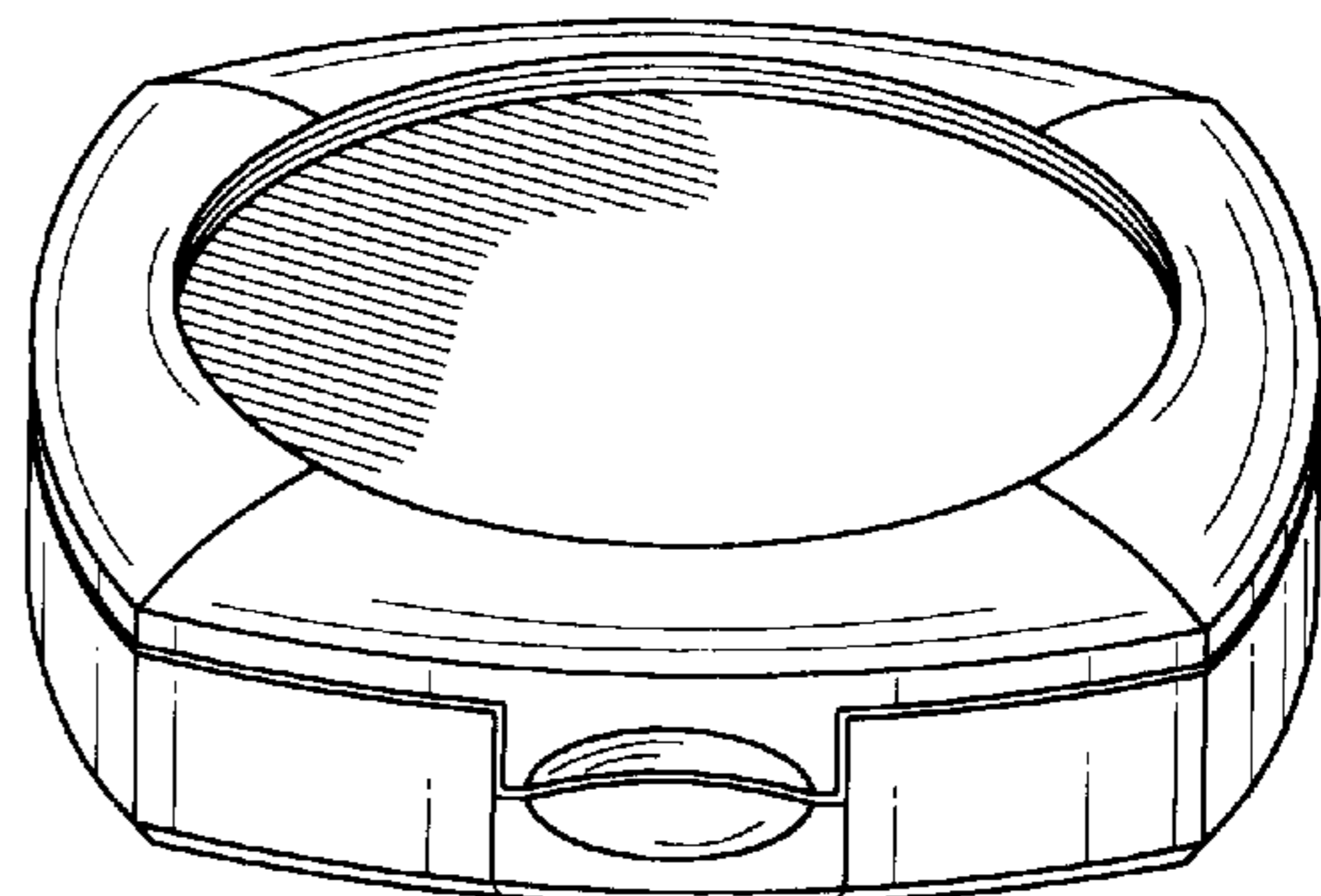
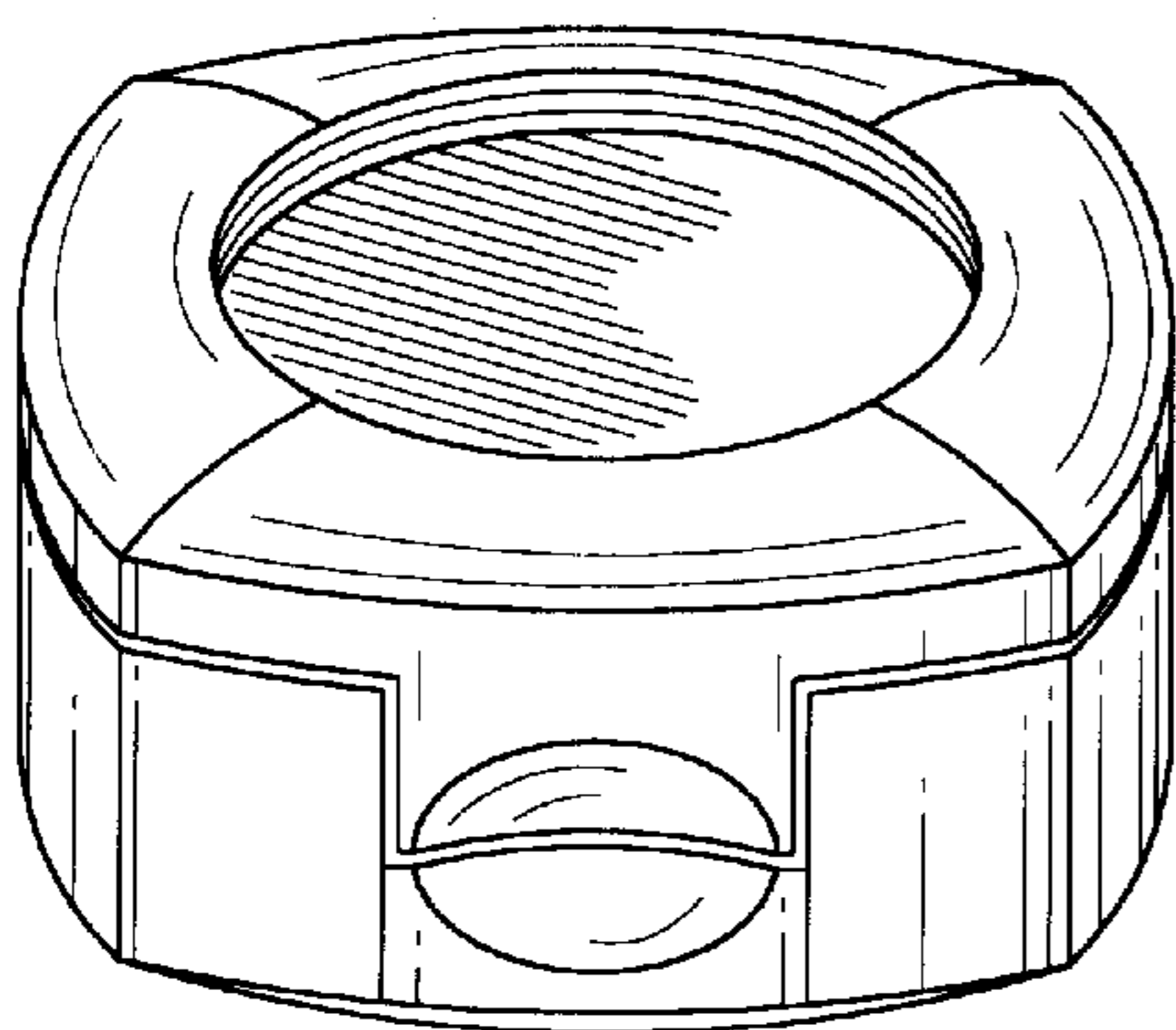
FIG. 1 is a perspective view of a cosmetic container showing
our new design embodied in an eye shadow compact;
FIG. 2 is a top view of the container of FIG. 1;
FIG. 3 is a front view of the container of FIG. 1;
FIG. 4 is a rear view of the container of FIG. 1;
FIG. 5 is a left side view of the container of FIG. 1; and,
FIG. 6 is a right side view of the container of FIG. 1.
FIG. 7 is a perspective view showing second embodiment of
our design as embodied in an foundation compact;
FIG. 8 is a top view of the container of FIG. 7;
FIG. 9 is a front view of the container of FIG. 7;
FIG. 10 is a rear view of the container of FIG. 7;
FIG. 11 is a left side view of the container of FIG. 7; and,
FIG. 12 is a right side view of the container of FIG. 7.

(56) **References Cited**

U.S. PATENT DOCUMENTS

- 1,456,450 A * 5/1923 Kendall 132/295
- D81,132 S * 5/1930 Gebauer D28/78
- D105,192 S * 7/1937 Aronson D27/142
- D289,262 S * 4/1987 Goetz et al. D9/420
- D290,535 S * 6/1987 Chen D28/78
- 4,863,034 A * 9/1989 Contreras 206/581
- D305,781 S * 1/1990 Ukisu D28/77
- 5,161,556 A * 11/1992 Audebourg et al. 132/296

1 Claim, 2 Drawing Sheets



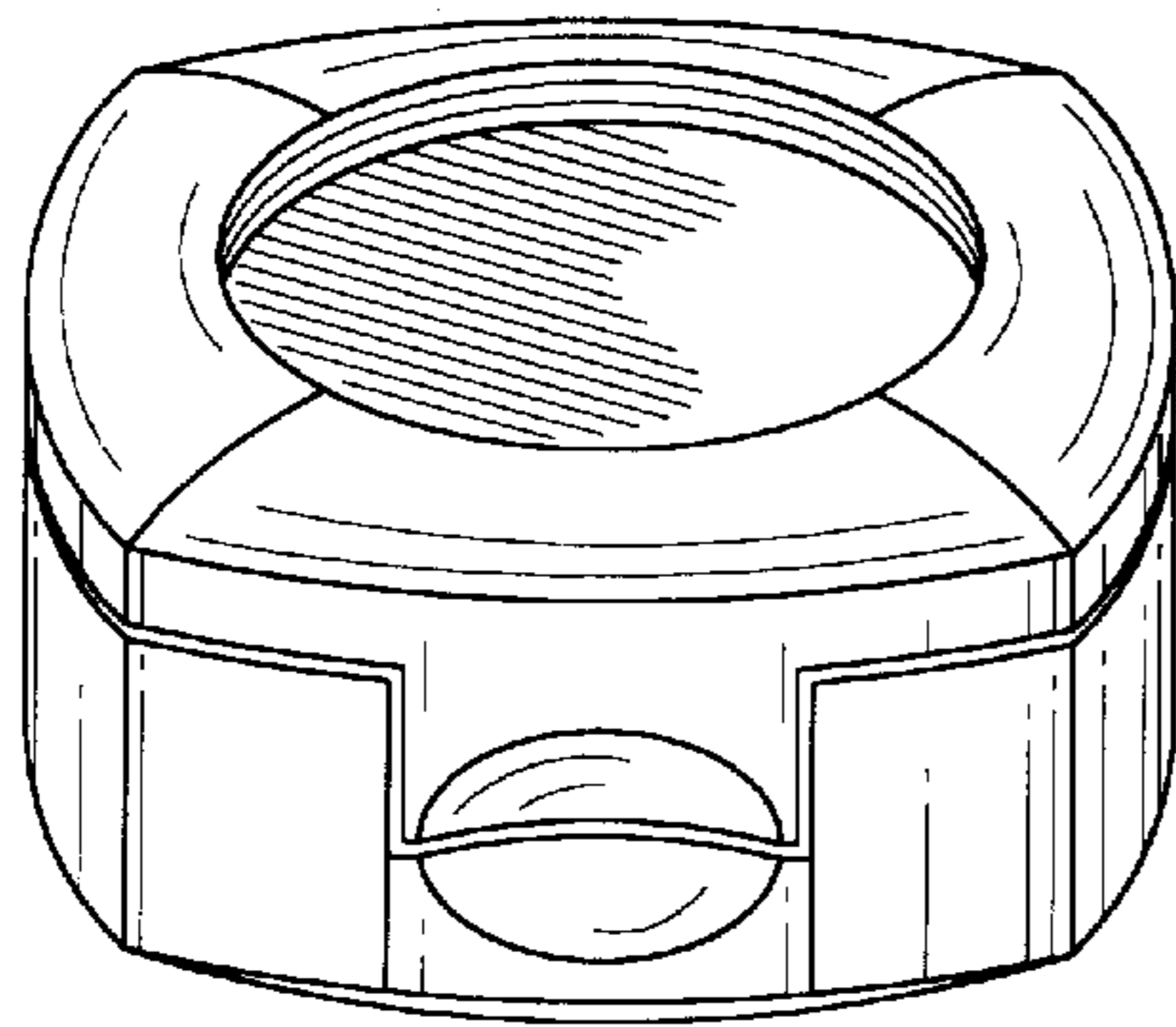


FIG. 1

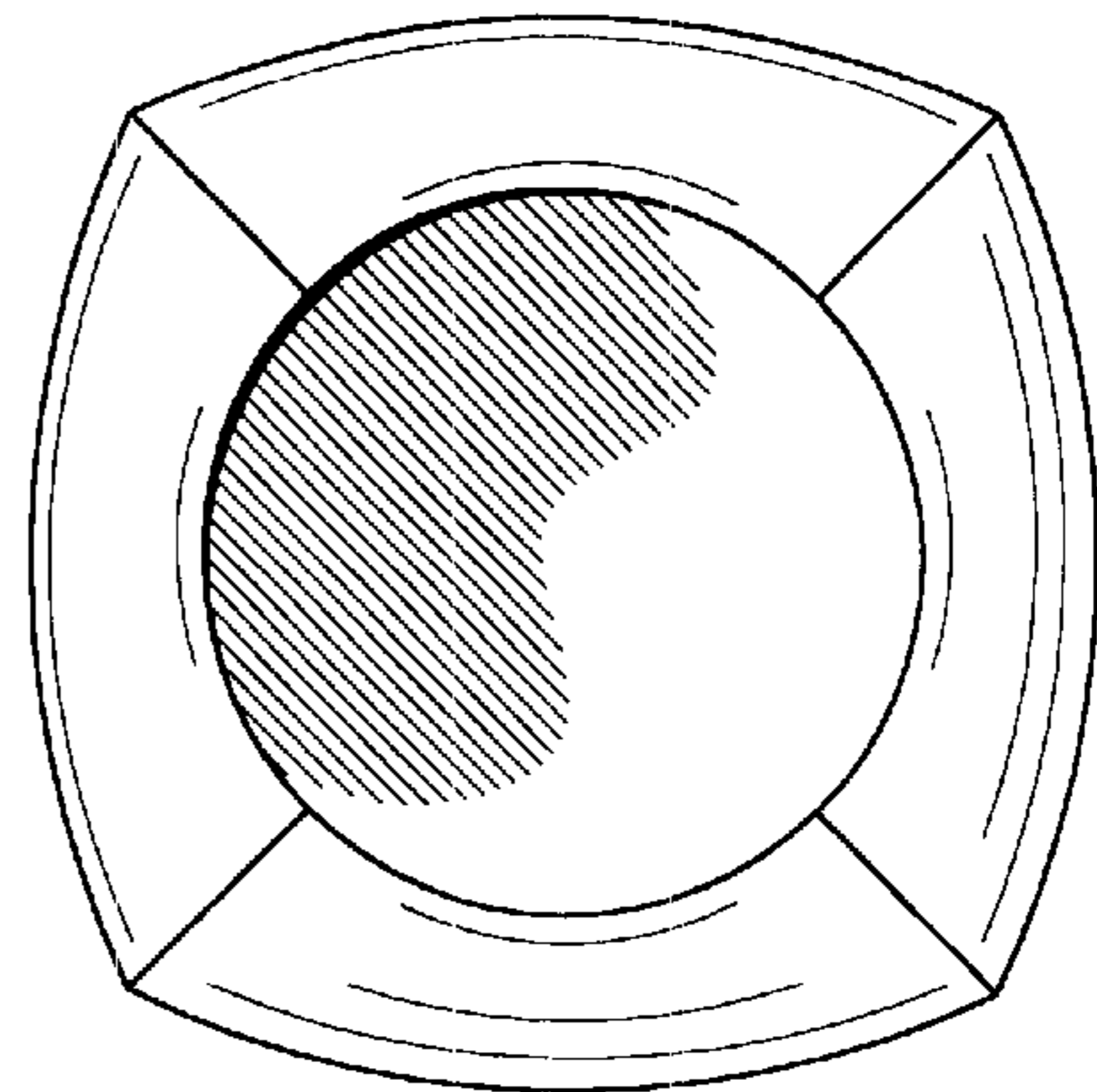


FIG. 2

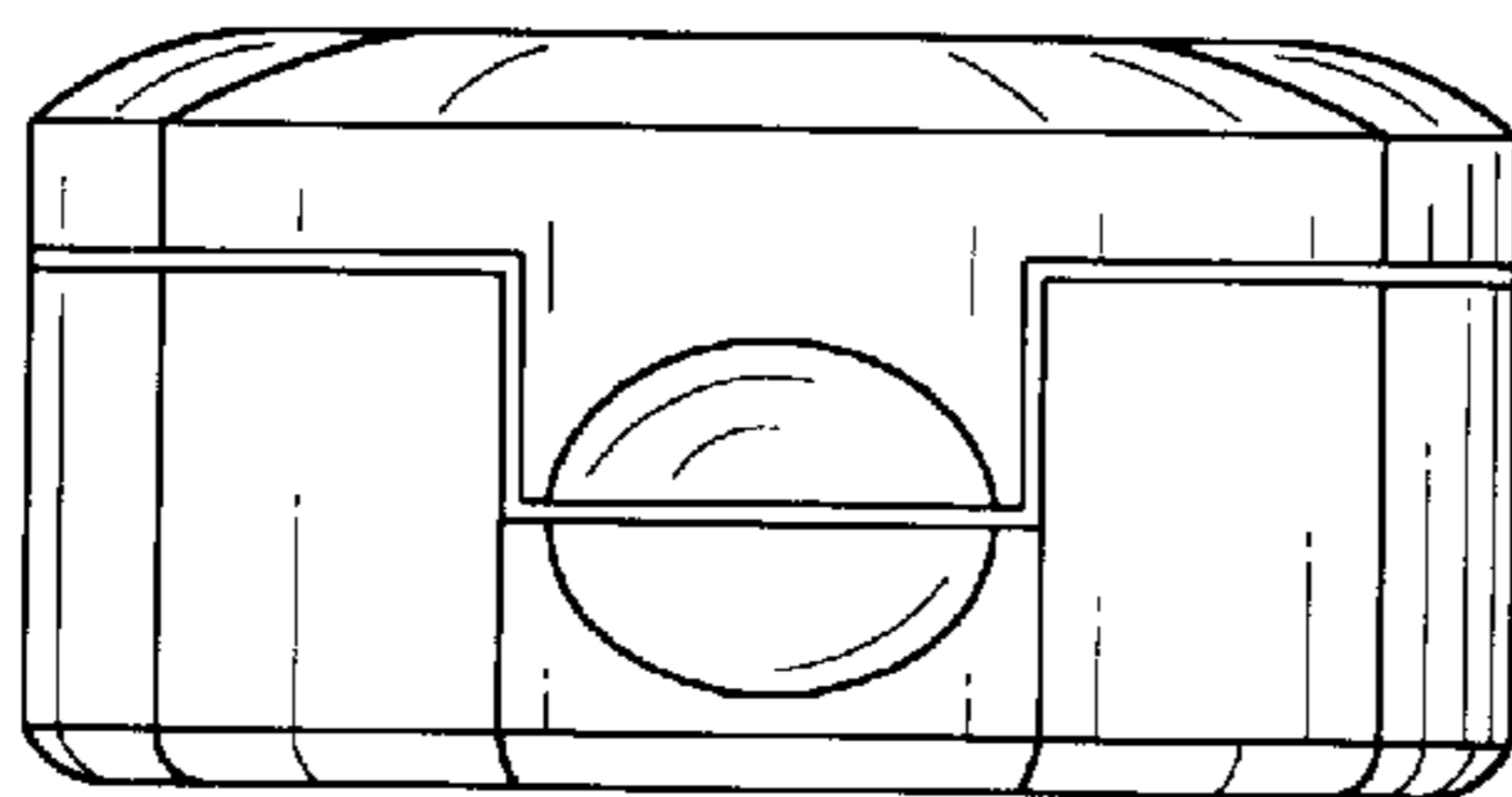


FIG. 3

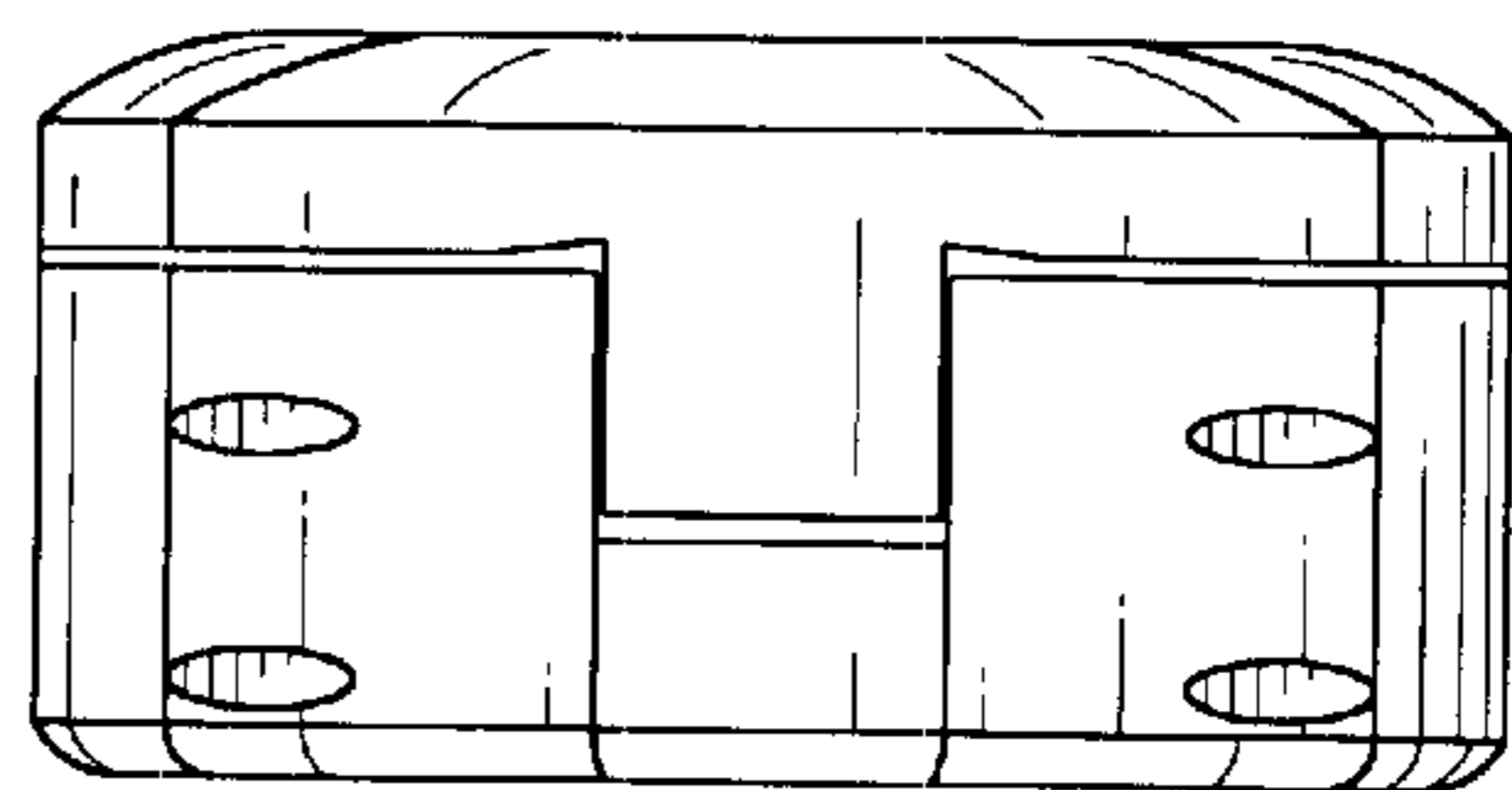


FIG. 4

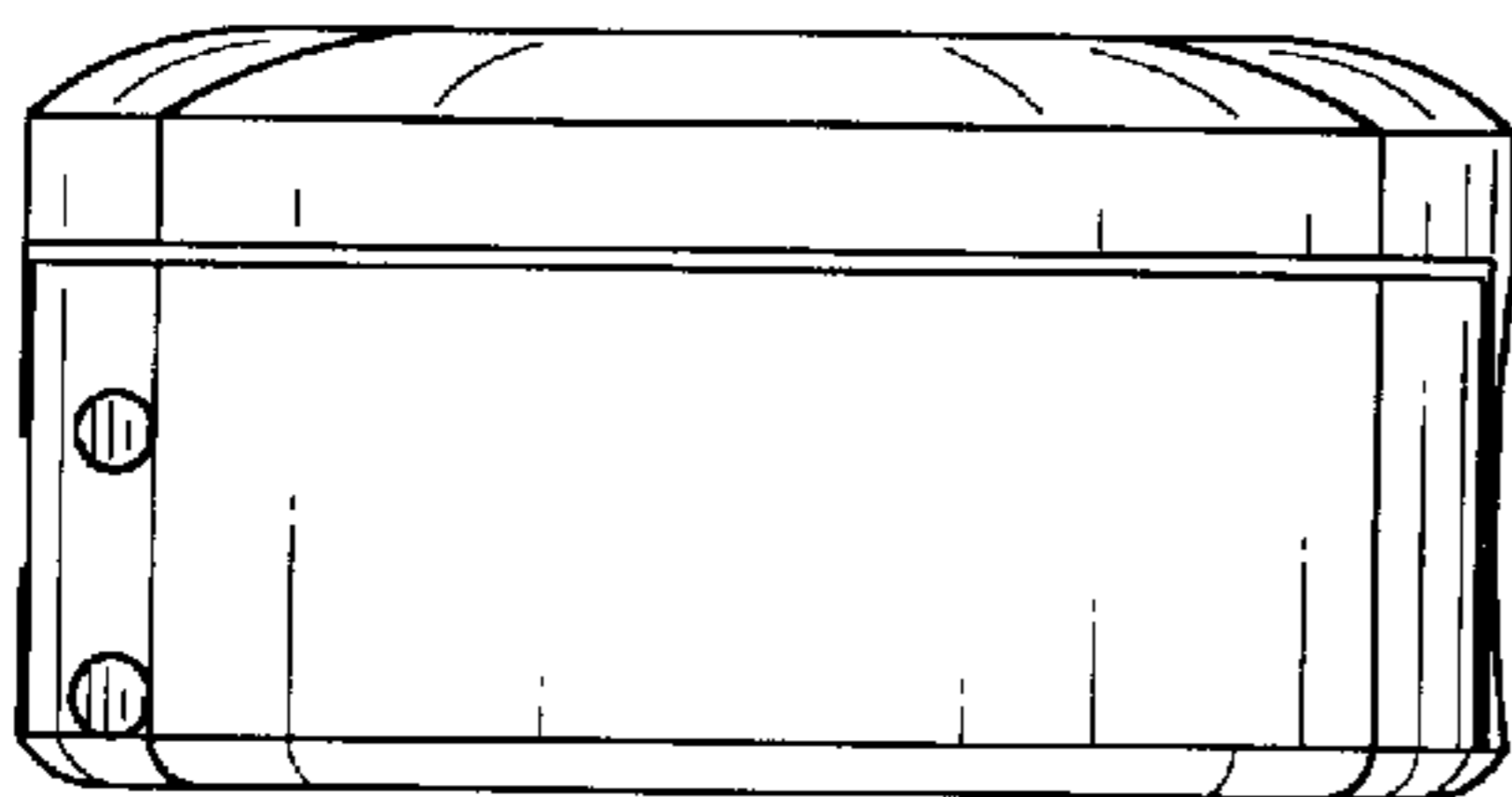


FIG. 5

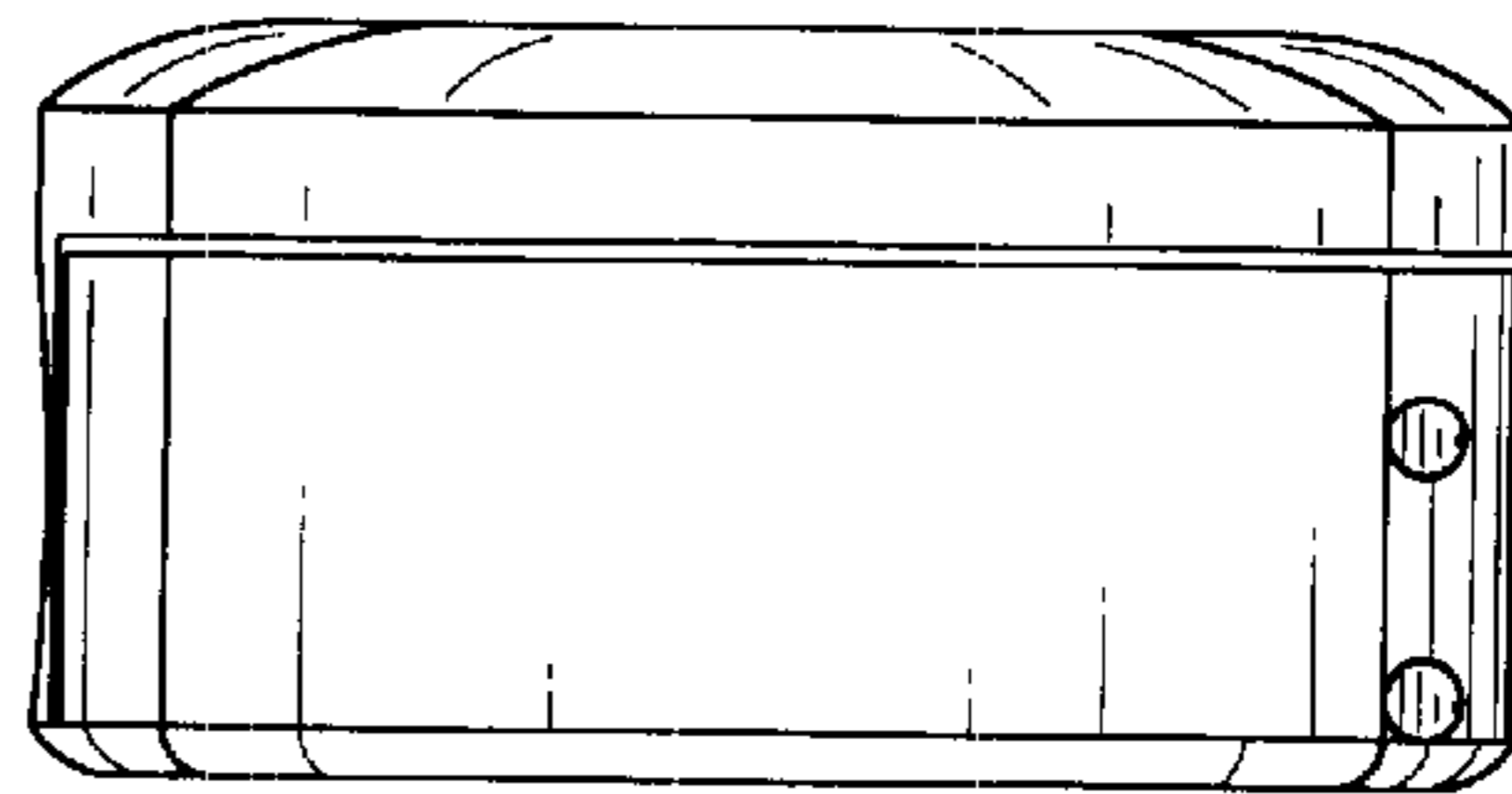


FIG. 6

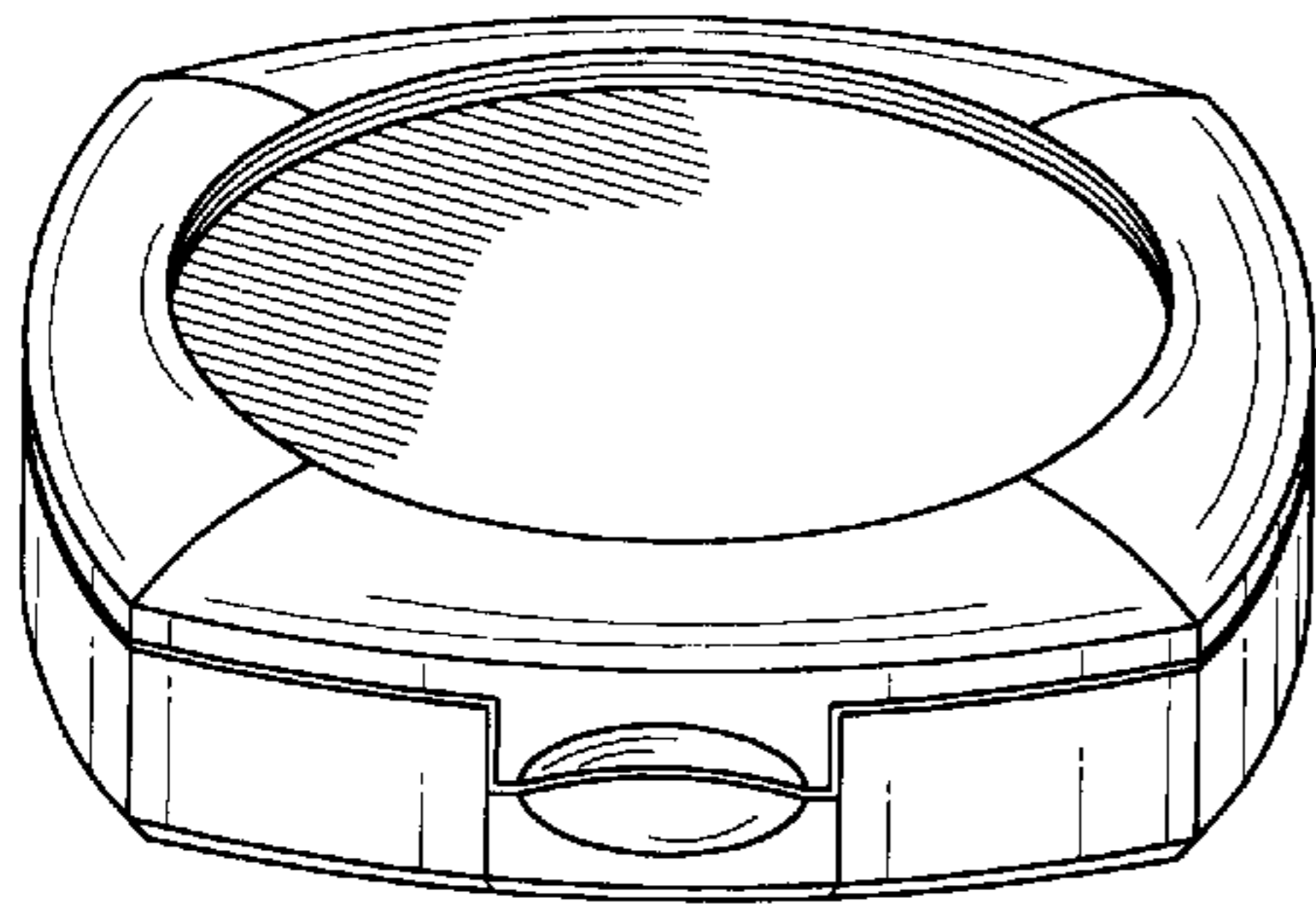


FIG. 7

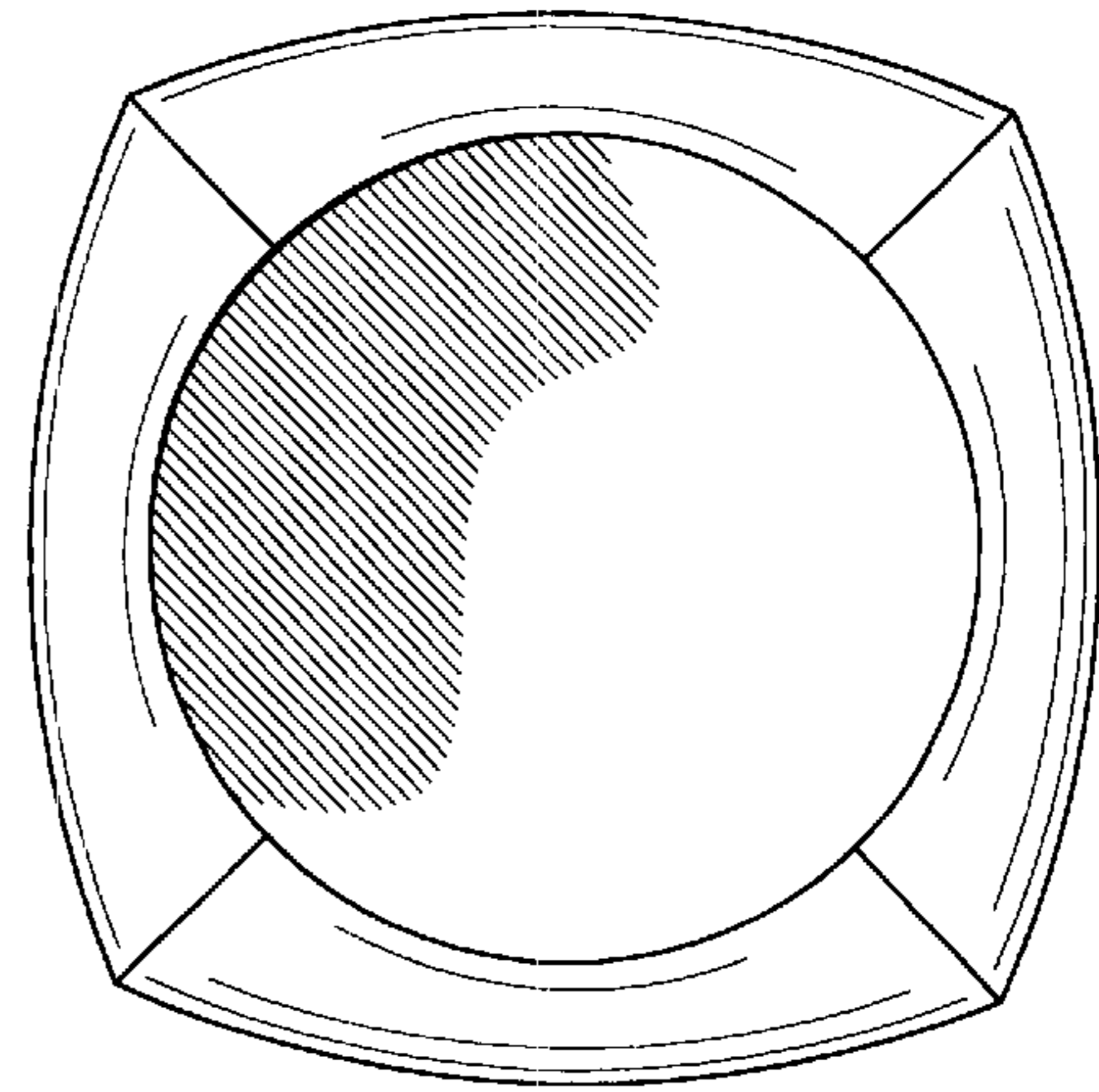


FIG. 8

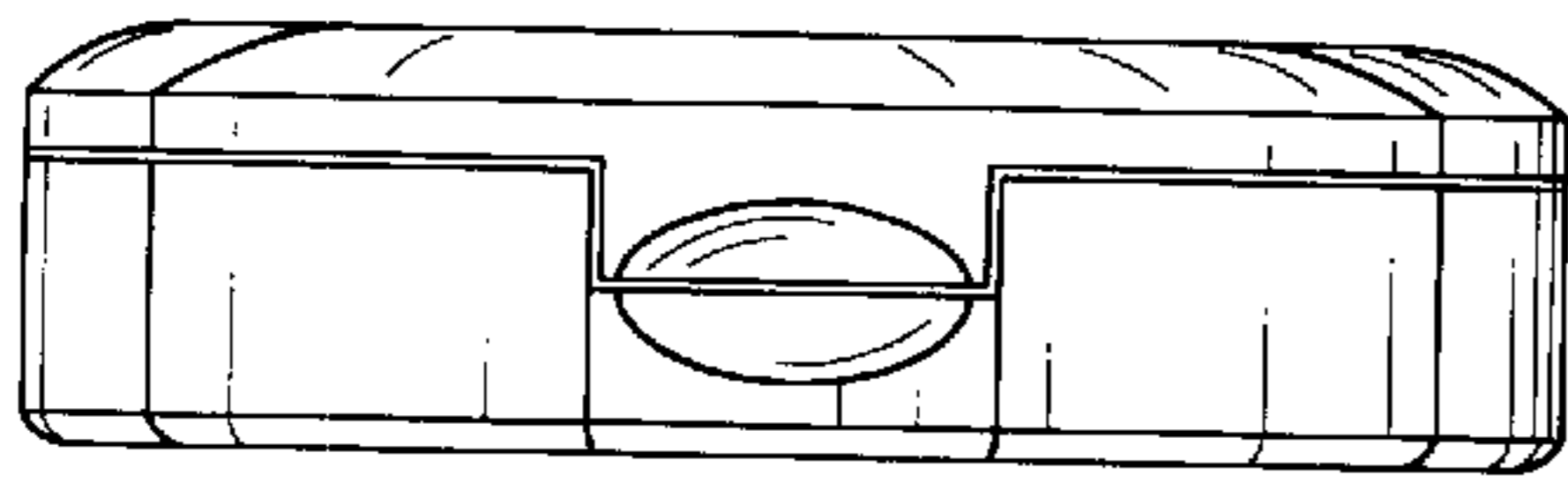


FIG. 9

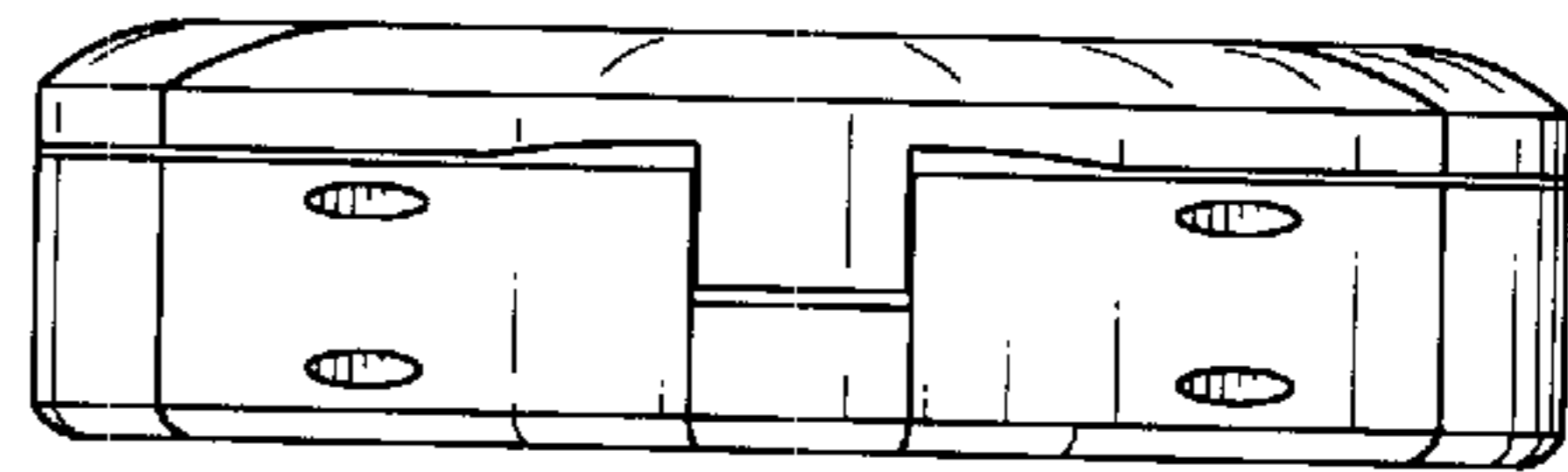


FIG. 10

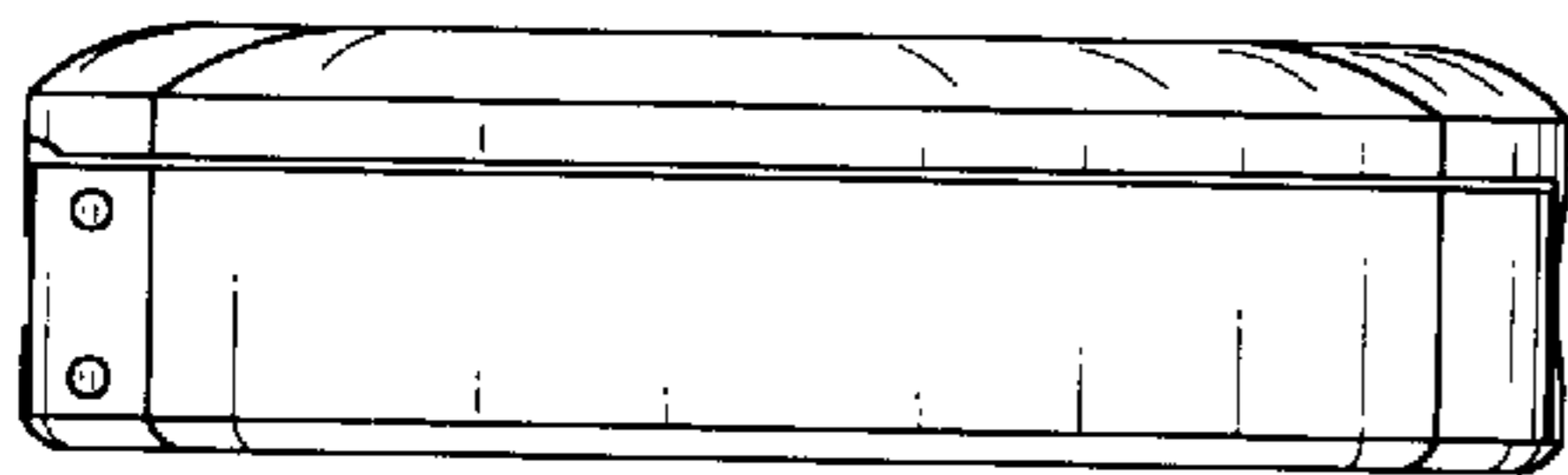


FIG. 11

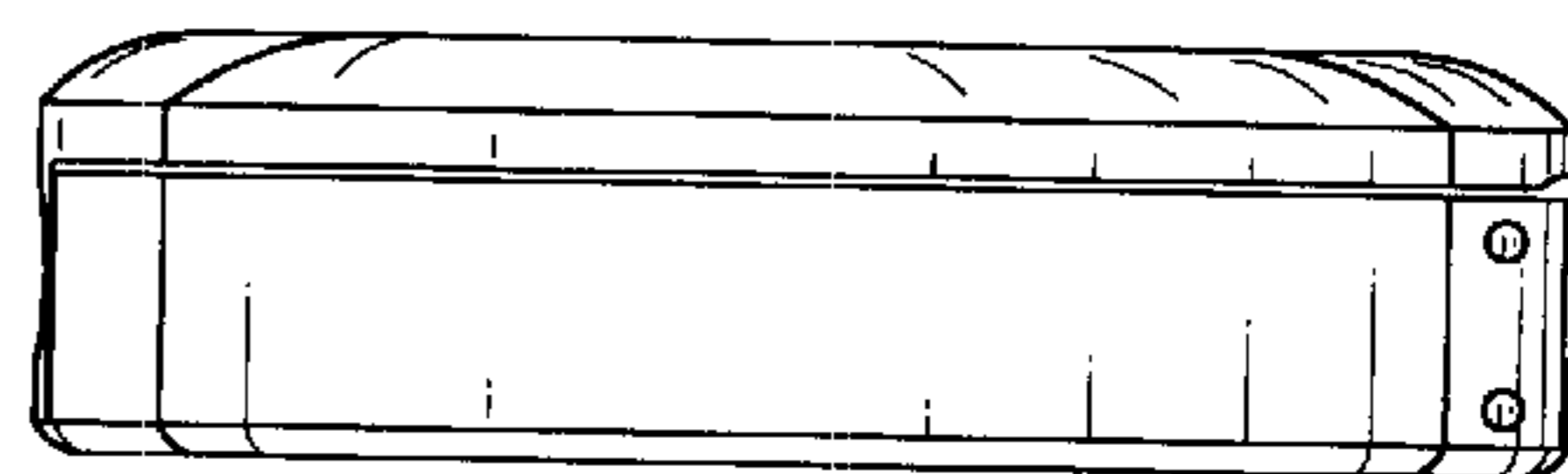


FIG. 12