



US00D457978S

(12) **United States Design Patent** (10) **Patent No.:** **US D457,978 S**
Cheong (45) **Date of Patent:** **** May 28, 2002**

(54) **SOLAR-POWERED OUTDOOR LIGHT**

(75) Inventor: **Ellis Hon Siu Cheong**, Shunshine (HK)

(73) Assignee: **The Brinkmann Corporation**, Dallas, TX (US)

(**) Term: **14 Years**

(21) Appl. No.: **29/138,177**

(22) Filed: **Mar. 6, 2001**

(51) **LOC (7) Cl.** **26-05**

(52) **U.S. Cl.** **D26/67; D26/72**

(58) **Field of Search** **D26/67-72, 85, D26/87, 92; 362/157, 183, 363, 367, 431, 432**

(56) **References Cited**

U.S. PATENT DOCUMENTS

D409,780 S	*	5/1999	Maxwell	D26/67
D427,352 S	*	6/2000	Miranda	D26/72
D435,128 S	*	12/2000	Nicholas	D26/67

OTHER PUBLICATIONS

Home Lighting & Accessories Jun. 1997 p. 143.*

* cited by examiner

Primary Examiner—Marcus A. Jackson

(74) *Attorney, Agent, or Firm*—Sheppard, Mullin, Richter & Hampton LLP

(57) **CLAIM**

Claimed is the ornamental design for a solar-powered outdoor light, as shown and described.

DESCRIPTION

FIG. 1 is a left side elevational view of a first embodiment of a solar-powered outdoor light embodying the new design, which is a mirror image of the right side elevational view.

FIG. 2 is a front elevational view of the design depicted in FIG. 1.

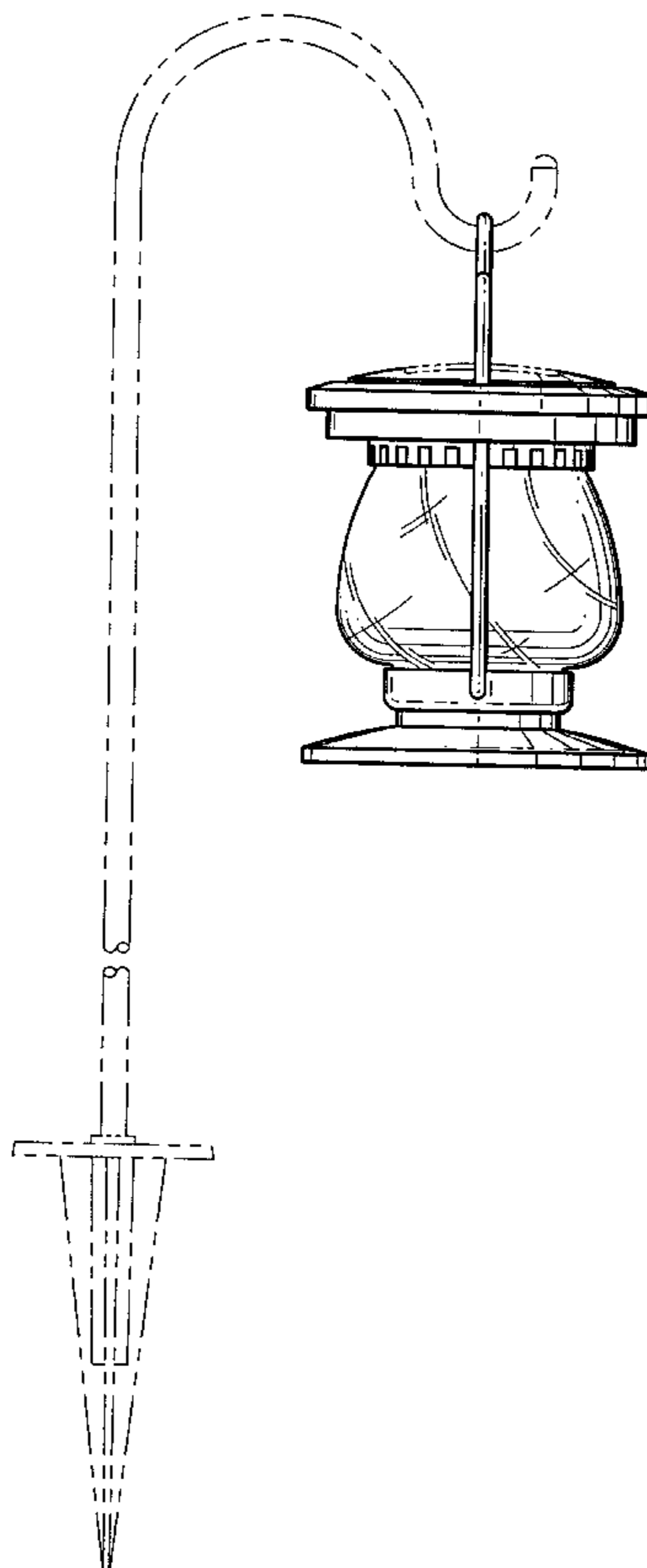
FIG. 3 is a rear elevational view of the design depicted in FIG. 1.

FIG. 4 is a top plan view of the design depicted in FIG. 1; and,

FIG. 5 is a bottom plan view of the design depicted in FIG. 1.

The dotted lines are for illustrative purposes only and form no part of the claimed design.

1 Claim, 2 Drawing Sheets



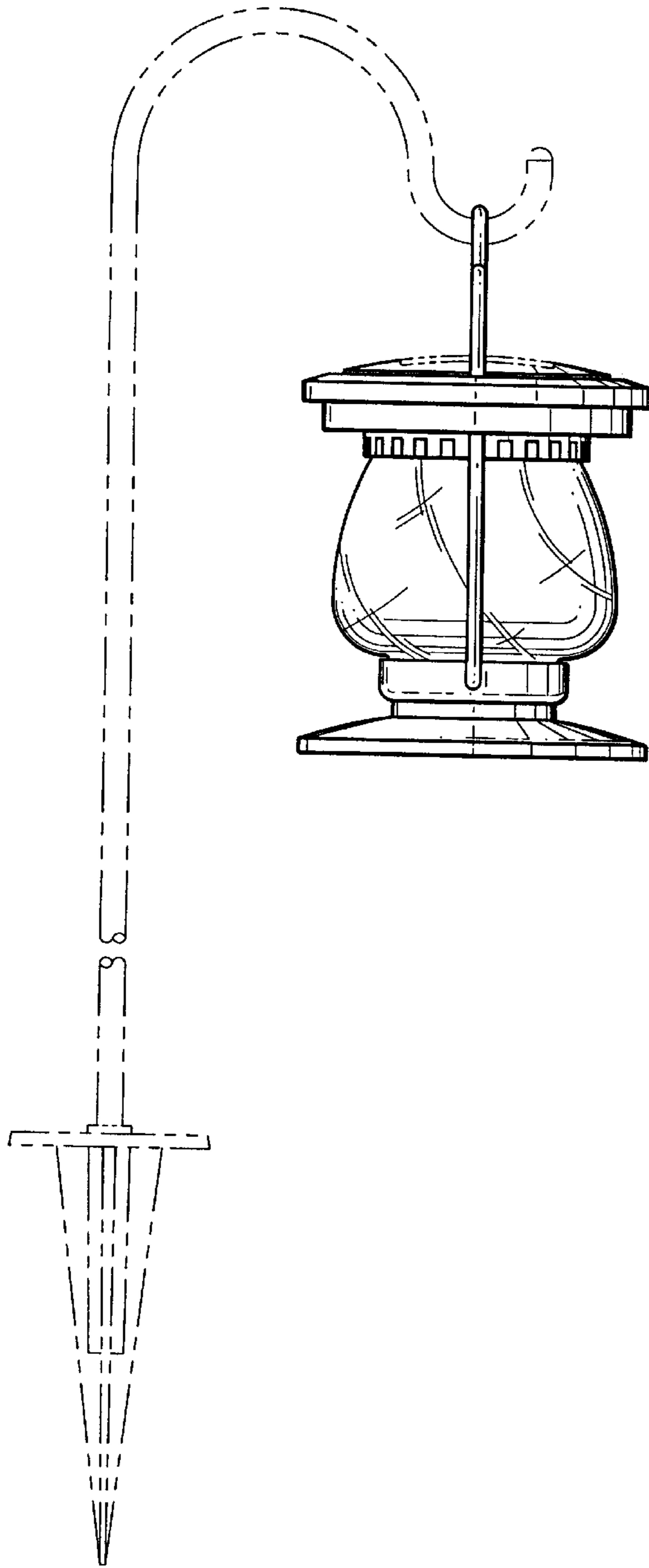


FIG. 1

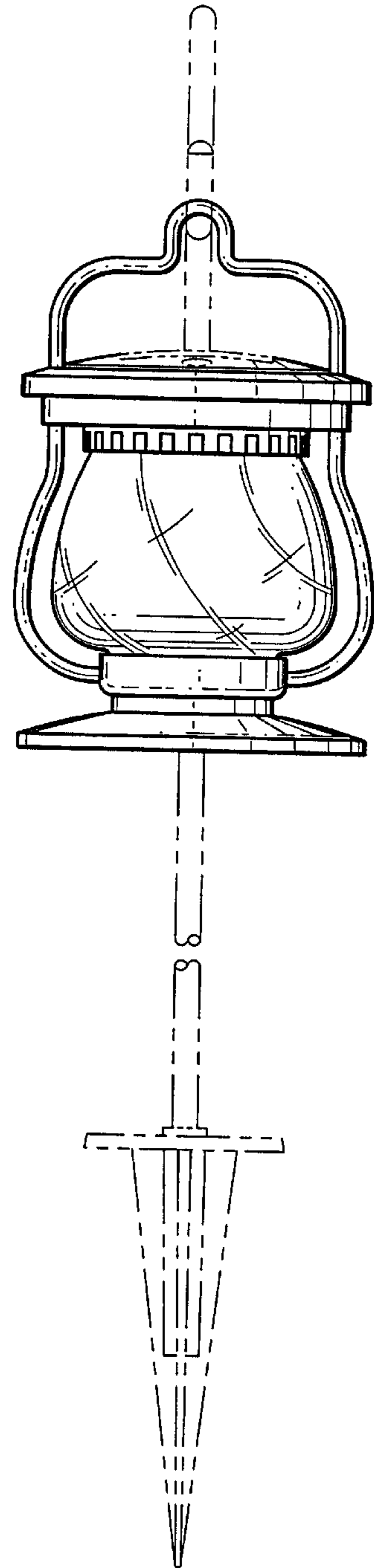


FIG. 2

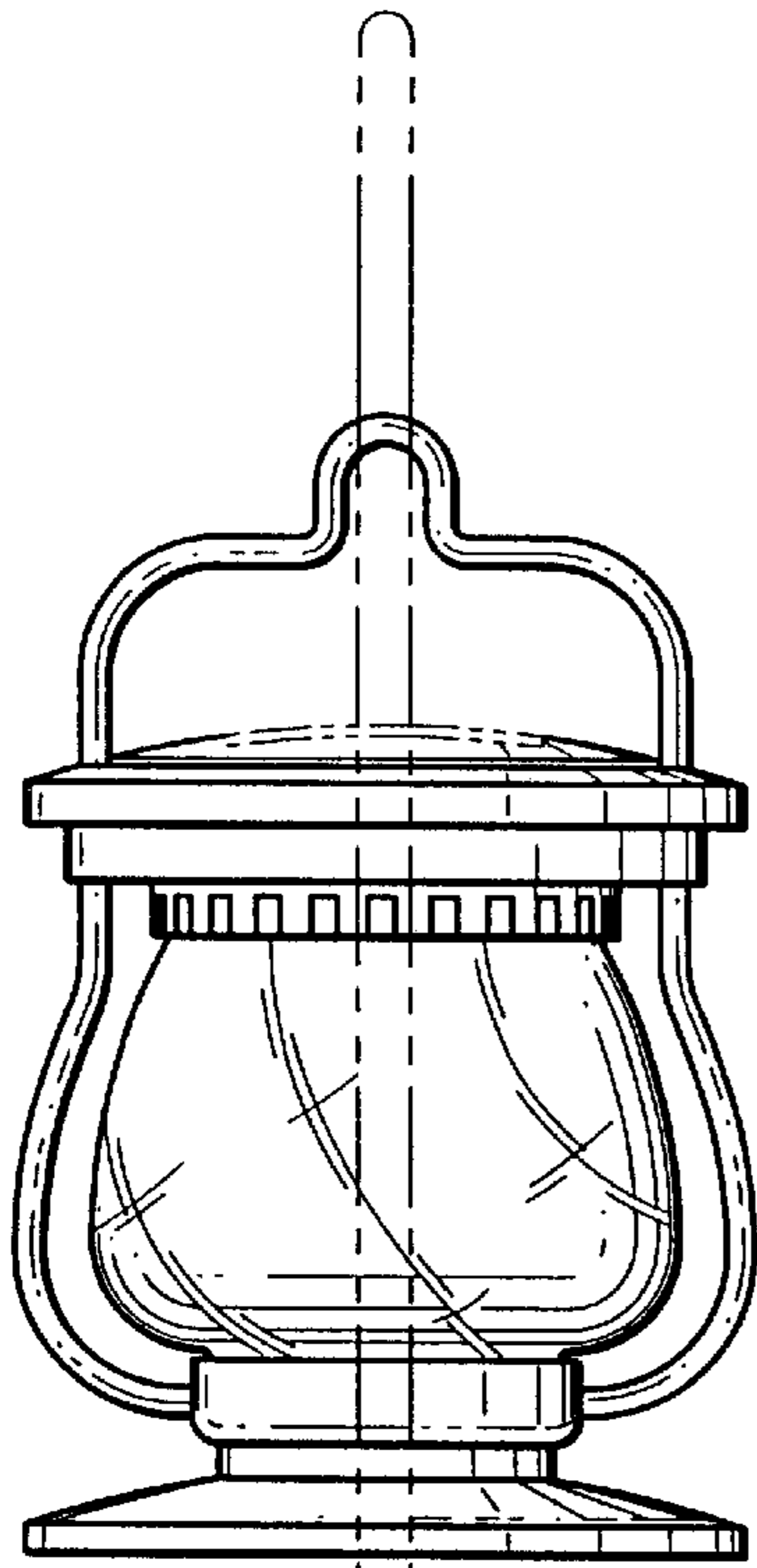


FIG. 3

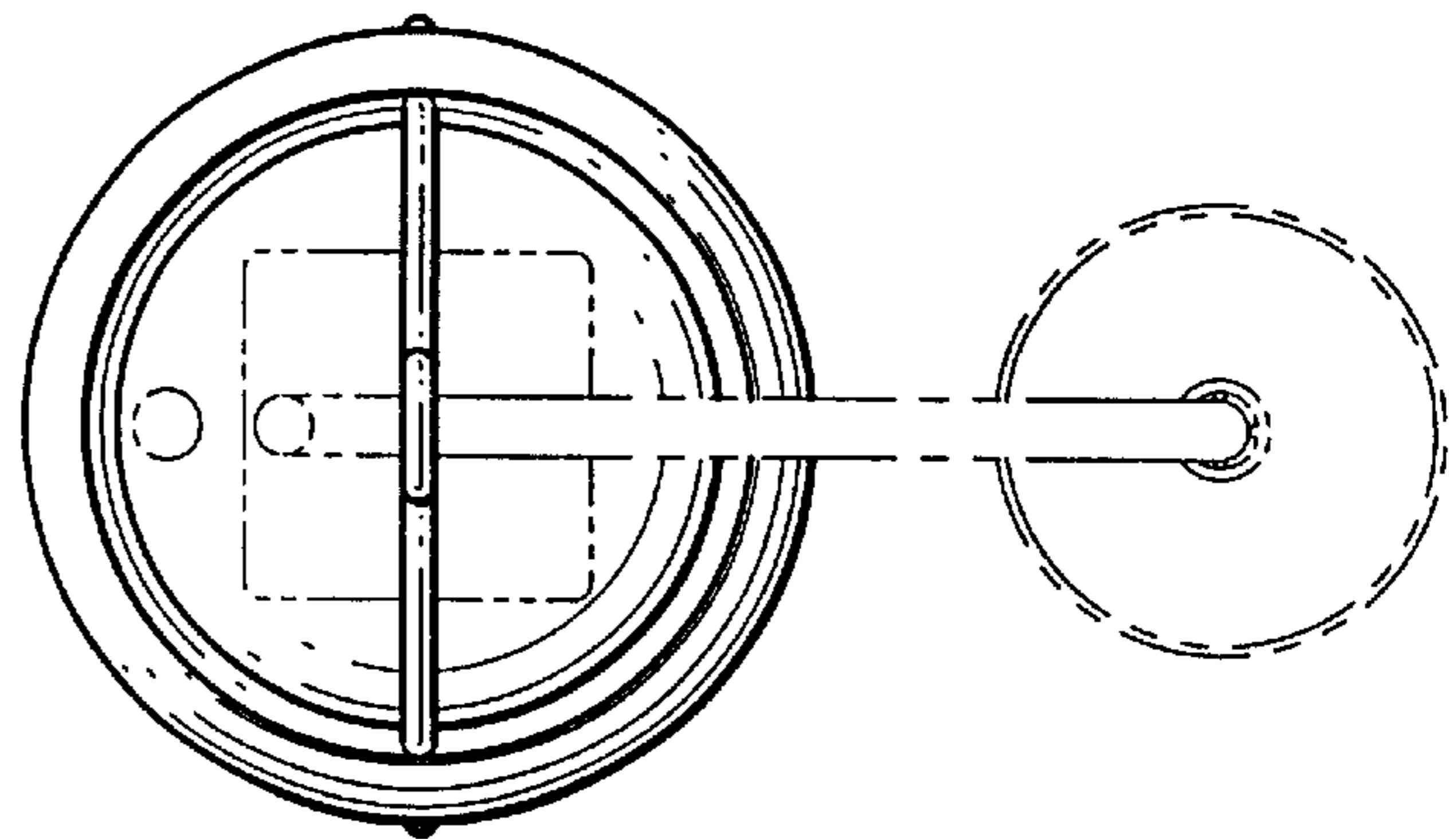


FIG. 4

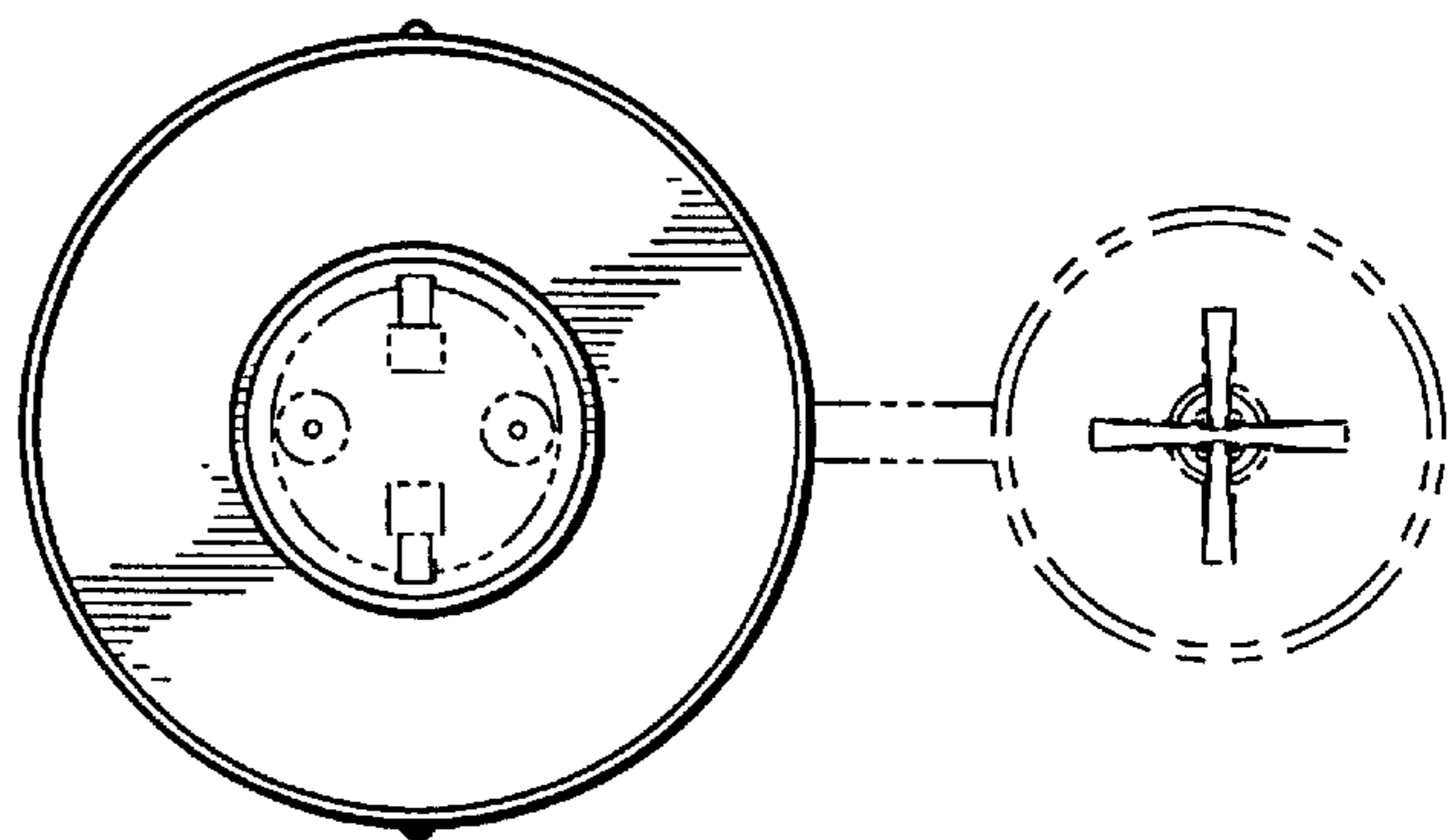
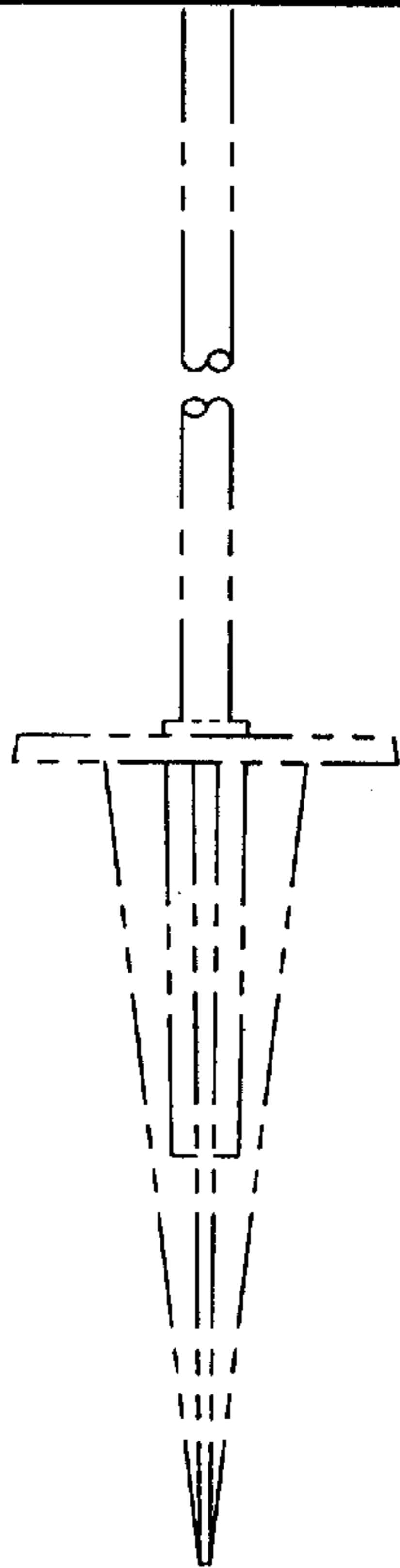


FIG. 5