



US00D457977S

(12) **United States Design Patent**
Mier-Langner et al.

(10) **Patent No.:** **US D457,977 S**

(45) **Date of Patent:** **** May 28, 2002**

(54) **TRACK LIGHT MODULE**

D424,017 S * 5/2000 Lin D13/133

(75) Inventors: **Alejandro Mier-Langner**, Providence, RI (US); **James Edward Kuchar**, Fall River, MA (US)

* cited by examiner

Primary Examiner—Joel Sincavage

Assistant Examiner—Clare E. Heflin

(73) Assignee: **Genlyte Thomas Group LLC**, Louisville, KY (US)

(74) *Attorney, Agent, or Firm*—Jeffrey A. Haerberlin; Middleton Reutlinger

(**) Term: **14 Years**

(57) **CLAIM**

(21) Appl. No.: **29/143,988**

The ornamental design for a track light module, as shown and described herein.

(22) Filed: **Jun. 22, 2001**

DESCRIPTION

(51) **LOC (7) Cl.** **26-03**

(52) **U.S. Cl.** **D26/63**

(58) **Field of Search** D26/24, 61–66, D26/72–92; 362/217, 220, 269, 270, 275, 287, 418, 427, 404–408; D13/133; 439/118, 119, 122

FIG. 1 is a perspective view of a track light module showing our design;

FIG. 2 is a front elevational view thereof;

FIG. 3 is a rear elevational view thereof;

FIG. 4 is a left elevational view thereof;

FIG. 5 is a right elevational view thereof;

FIG. 6 is a bottom plan view thereof;

FIG. 7 is a top plan view thereof; and,

FIG. 8 is another perspective view thereof, showing portions of a track and a track light fixture as environmental structure.

The broken line showing of environmental structure in the figures is for illustrative purposes only and forms no part of the claimed design.

(56) **References Cited**

U.S. PATENT DOCUMENTS

- D202,428 S * 9/1965 Weinstock
- 3,503,032 A * 3/1970 Routh et al.
- 4,919,625 A * 4/1990 Coutre 439/118
- 5,128,847 A * 7/1992 Lin et al. 362/226
- 5,582,520 A * 12/1996 Doudon 439/106
- D384,642 S * 10/1997 Miyahara D13/133

1 Claim, 4 Drawing Sheets

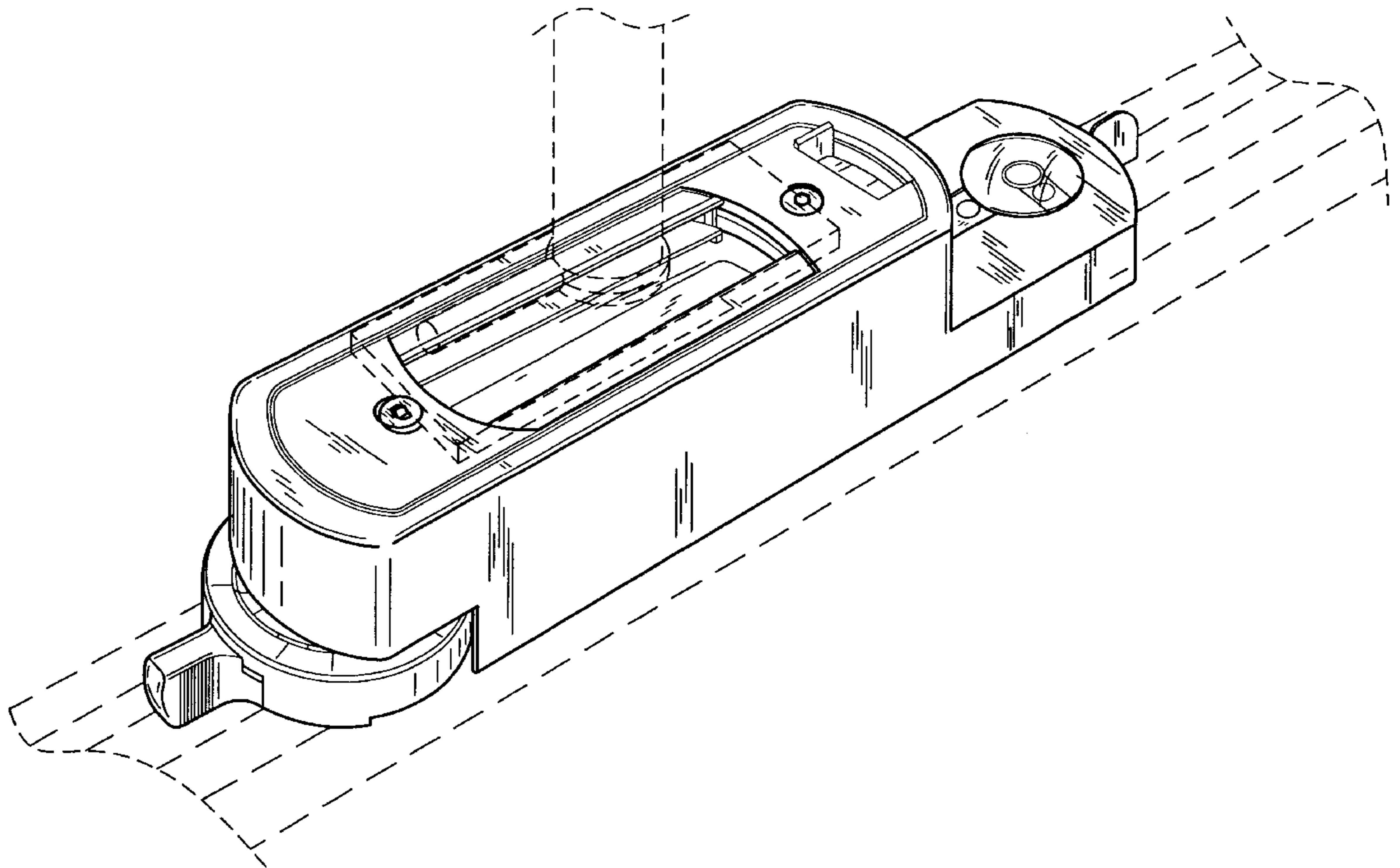


FIG. 1

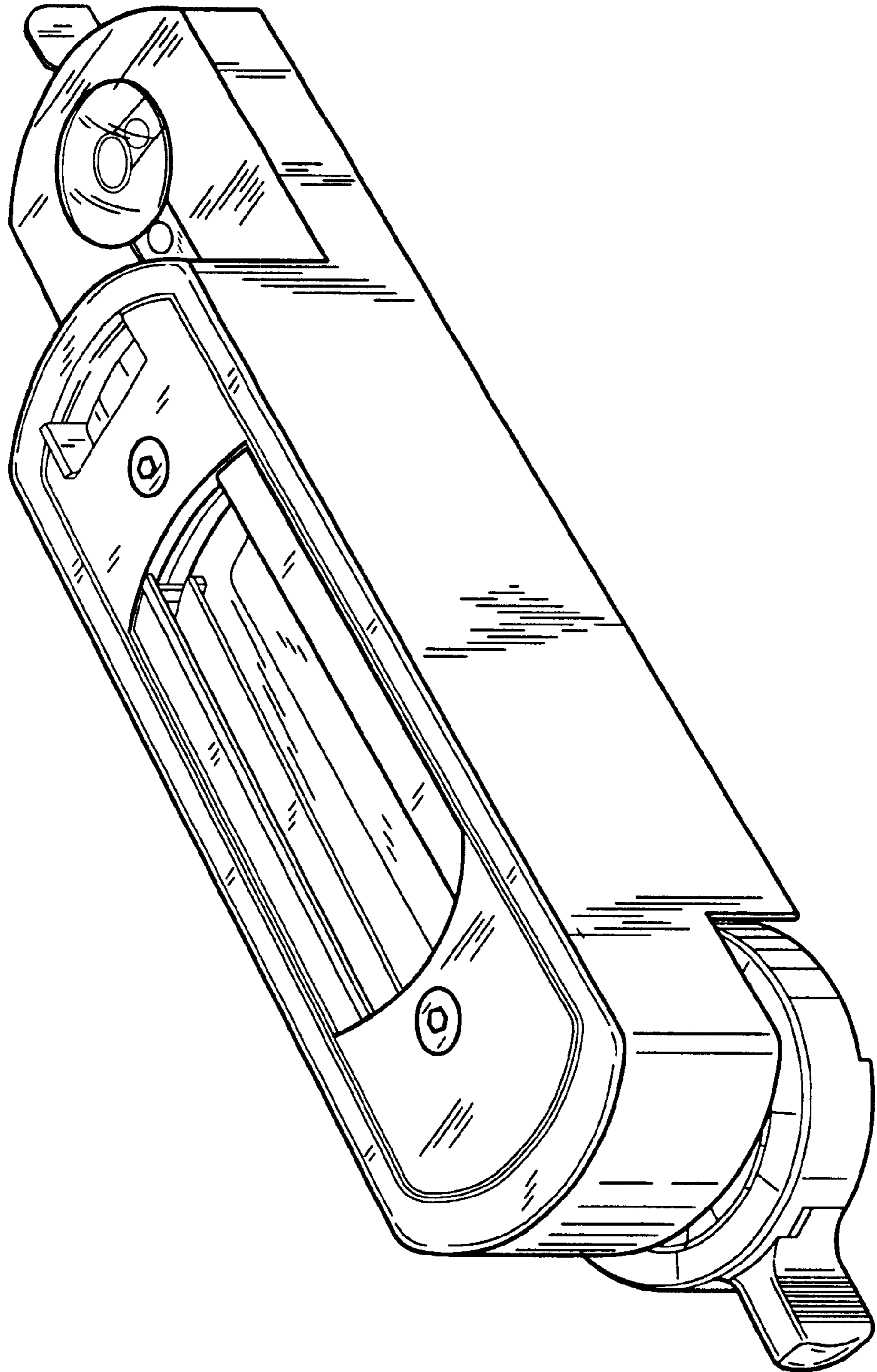


FIG. 2

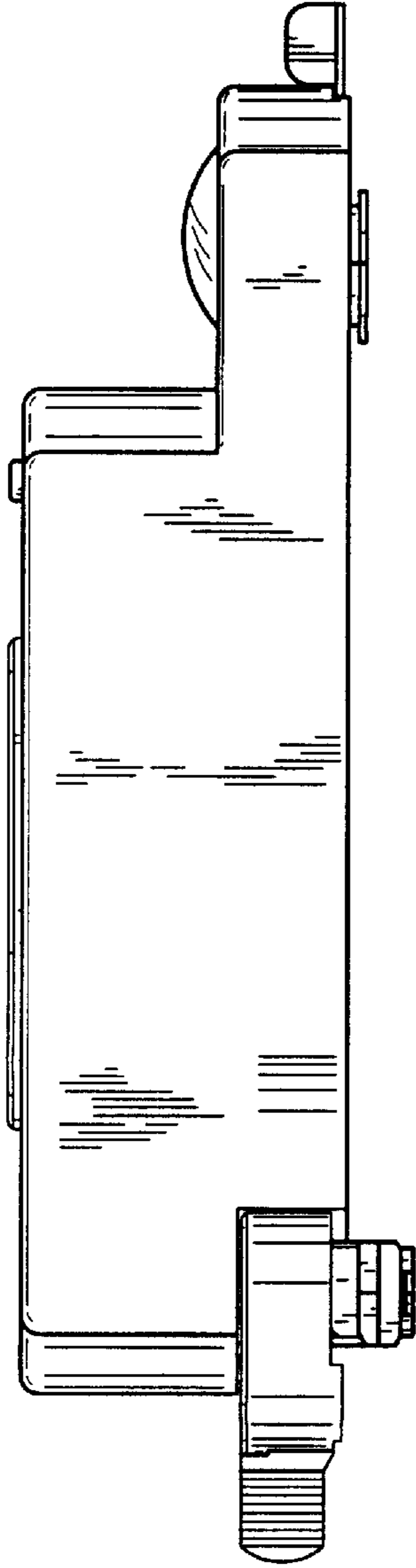


FIG. 3

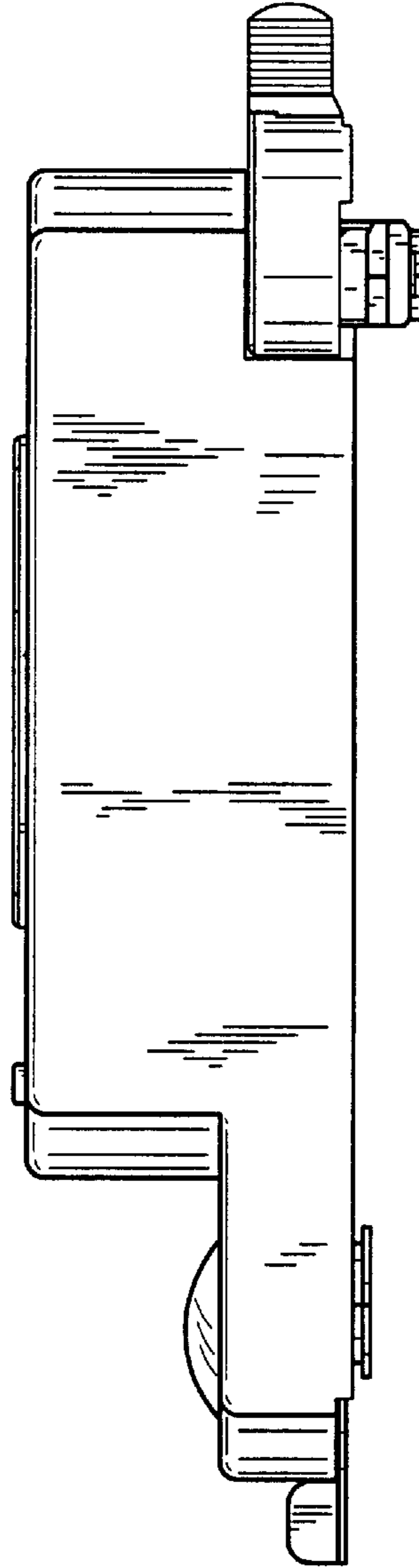


FIG. 4

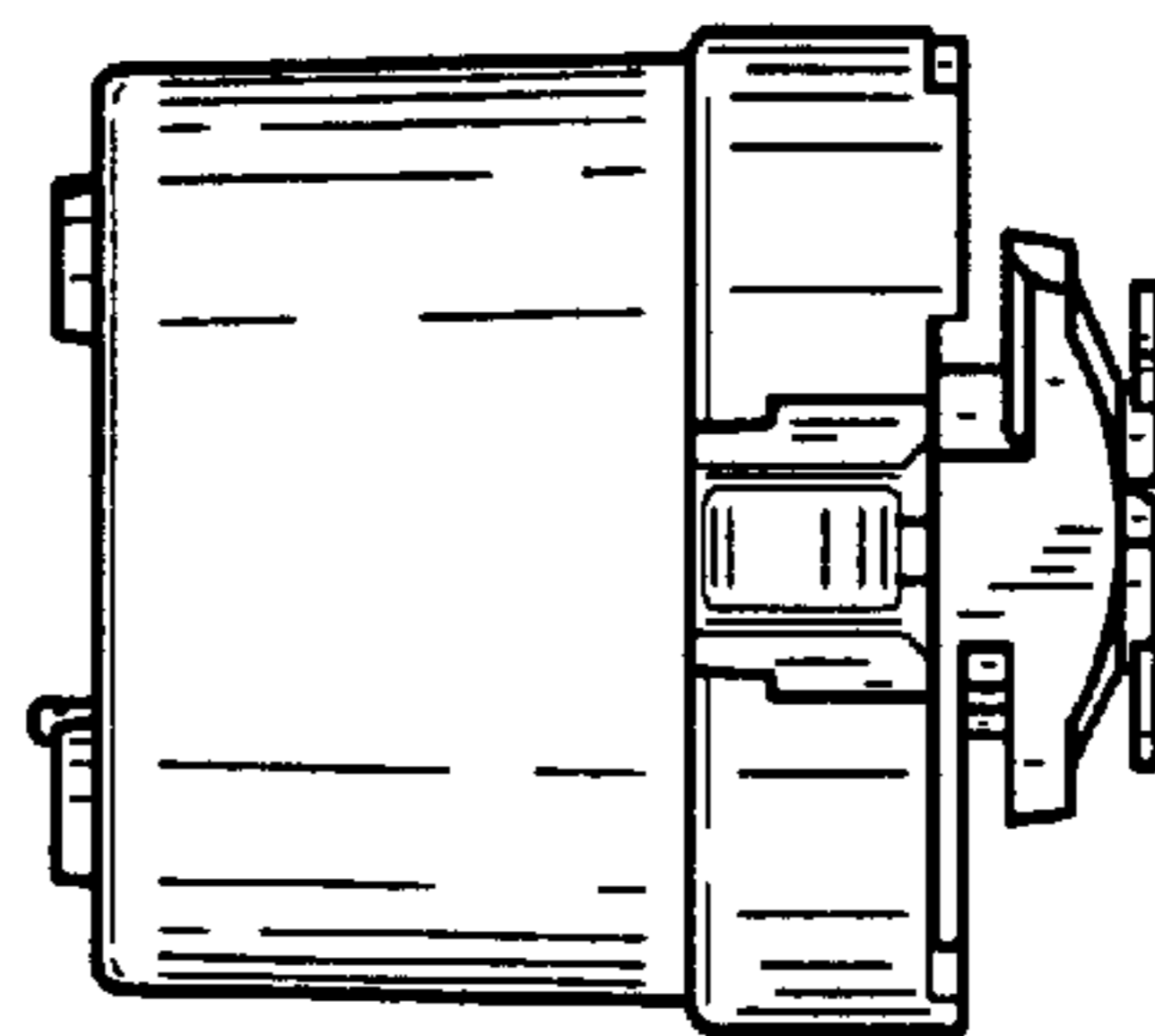


FIG. 5

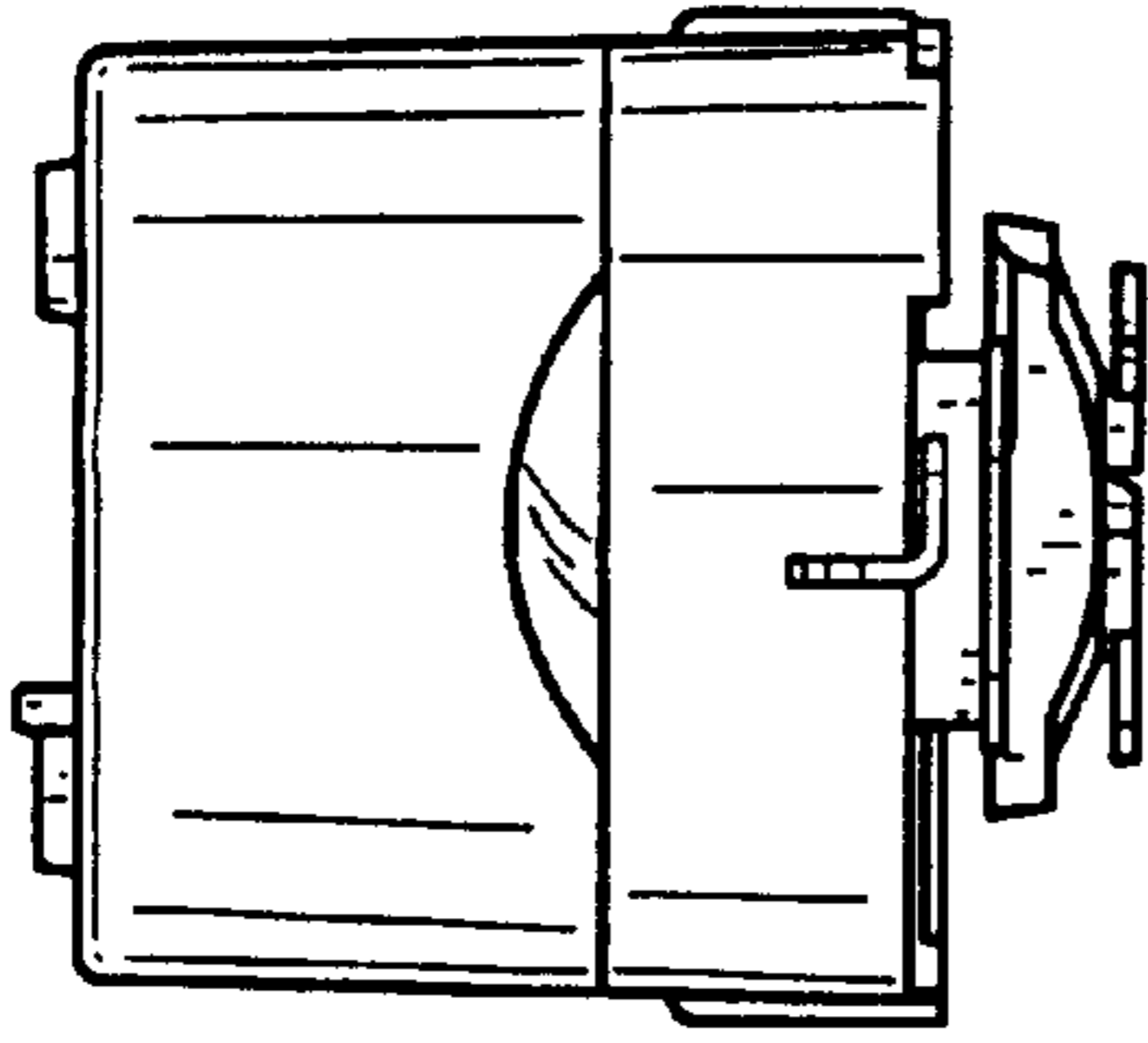


FIG. 6

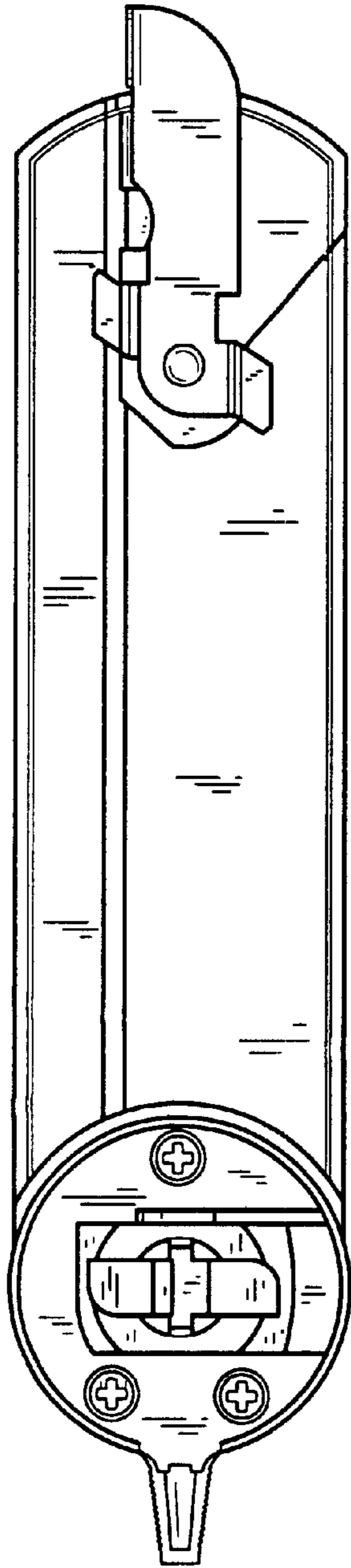


FIG. 7

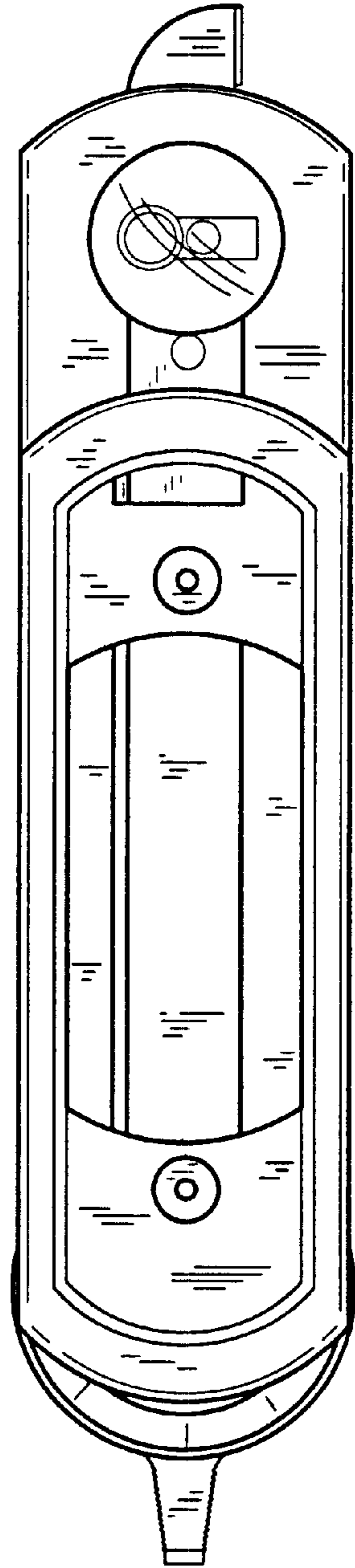


FIG. 8

