



US00D457971S

(12) **United States Design Patent**
Schrader et al.

(10) **Patent No.:** **US D457,971 S**
(45) **Date of Patent:** **** May 28, 2002**

(54) **BARRIER BLOCK**
(76) Inventors: **Mark Schrader; Neil Harrigan**, both
of 1110 - 316th St. NW., Stanwood, WA
(US) 98292
(**) Term: **14 Years**

5,421,135 A 6/1995 Stevens et al. 52/604
5,471,808 A 12/1995 DePieri et al. 52/603
5,507,127 A 4/1996 Gates 52/605
5,647,185 A 7/1997 Forlini 52/604
D387,431 S * 12/1997 Tremblay D25/113
5,934,037 A 8/1999 Bundra 52/603

(21) Appl. No.: **29/147,703**
(22) Filed: **Aug. 31, 2001**
(51) **LOC (7) Cl.** **25-01**
(52) **U.S. Cl.** **D25/113**
(58) **Field of Search** D25/112-118,
D25/164, 199; D21/484-486, 499-505;
405/284, 16, 272-273; 404/29-30, 34-35,
37-42; 52/102, 574-581, 588.1, 582.1,
582.2, 596, 598-599, 603-612

FOREIGN PATENT DOCUMENTS

BE 528025 * 4/1954 D25/113

* cited by examiner

Primary Examiner—Louis S. Zarfaz
Assistant Examiner—Robert A. Delehanty
(74) *Attorney, Agent, or Firm*—Dean A. Craine

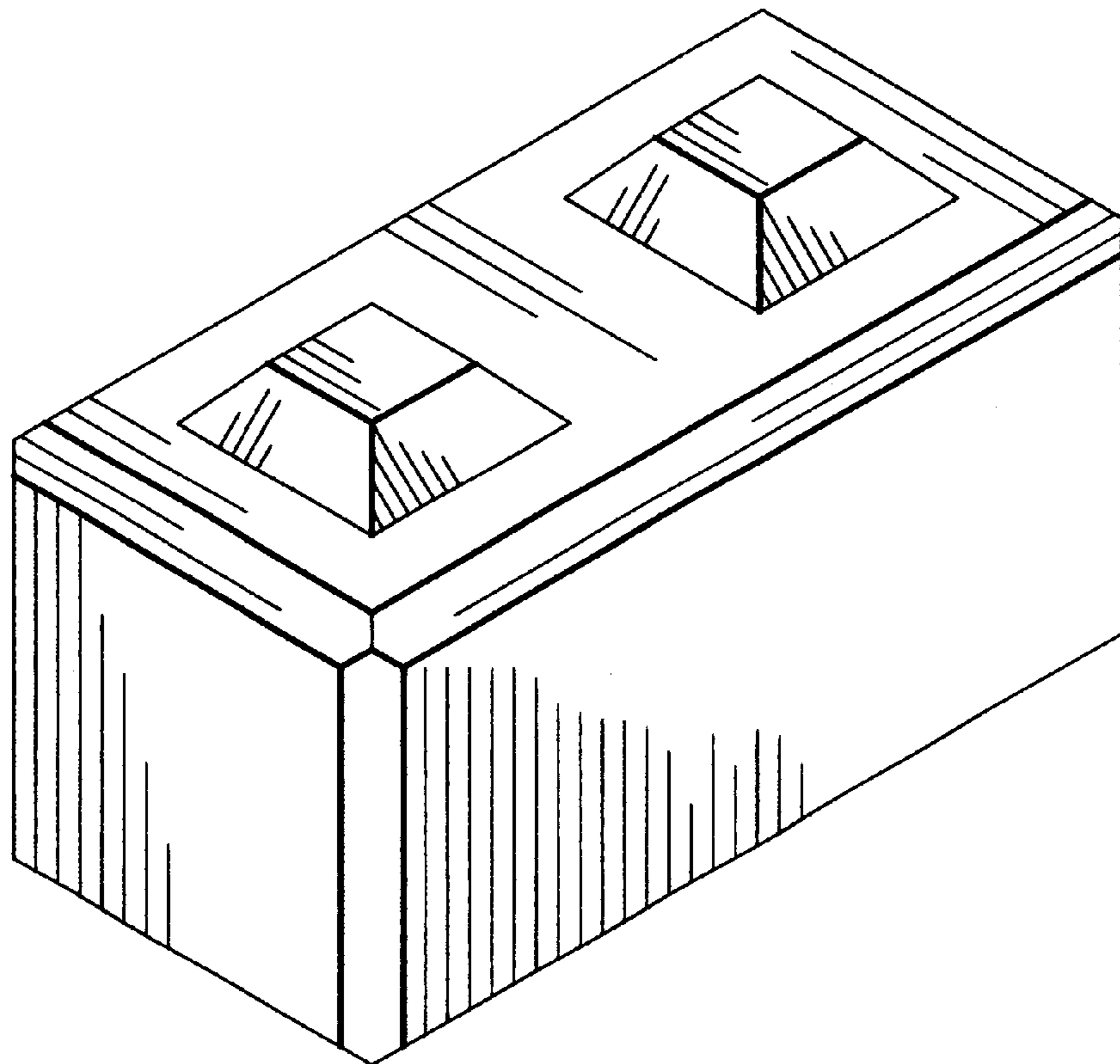
(56) **References Cited**
U.S. PATENT DOCUMENTS
18,261 A * 9/1857 Smith 404/41
3,618,279 A * 11/1971 Sease D25/118 X
D243,855 S * 3/1977 Hynes D25/118
4,124,961 A 11/1978 Habegger 52/592
4,436,447 A 3/1984 Crowe 406/16
4,965,979 A 10/1990 Larrivee et al. 52/585
5,186,883 A 2/1993 Beall, II 264/275
5,402,609 A * 4/1995 Kelley, Jr. 52/604 X

(57) **CLAIM**
The ornamental design for a barrier block, as shown and described.

DESCRIPTION

FIG. 1 is a perspective view of the barrier block.
FIG. 2 is a top plan view of the invention.
FIG. 3 is a bottom plan view of the invention.
FIG. 4 is a front elevation view of the invention.
FIG. 5 is a rear elevation view of the invention.
FIG. 6 is a left side elevation view of the invention; and,
FIG. 7 is a right side elevation view of the invention.

1 Claim, 2 Drawing Sheets



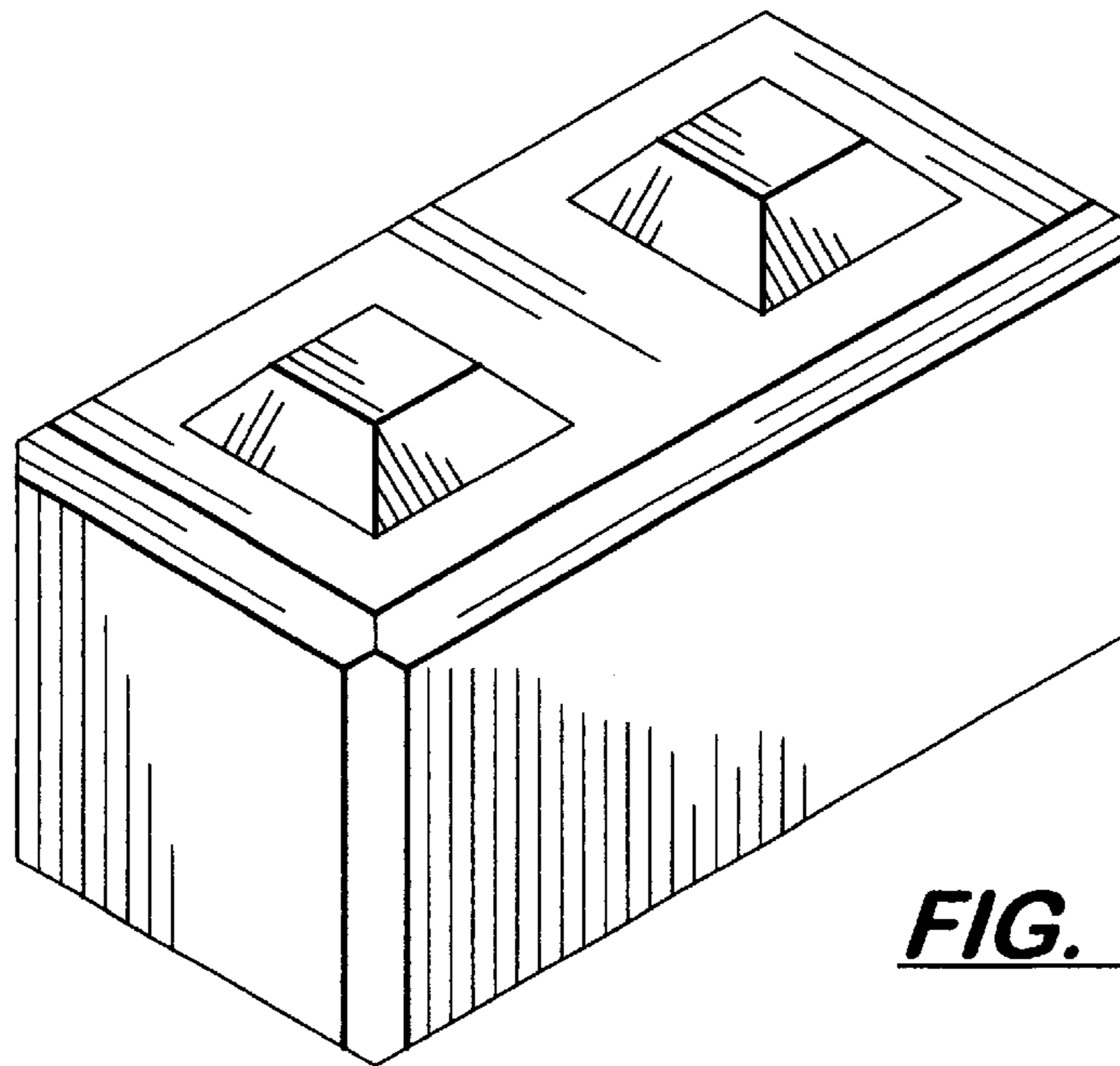


FIG. 1

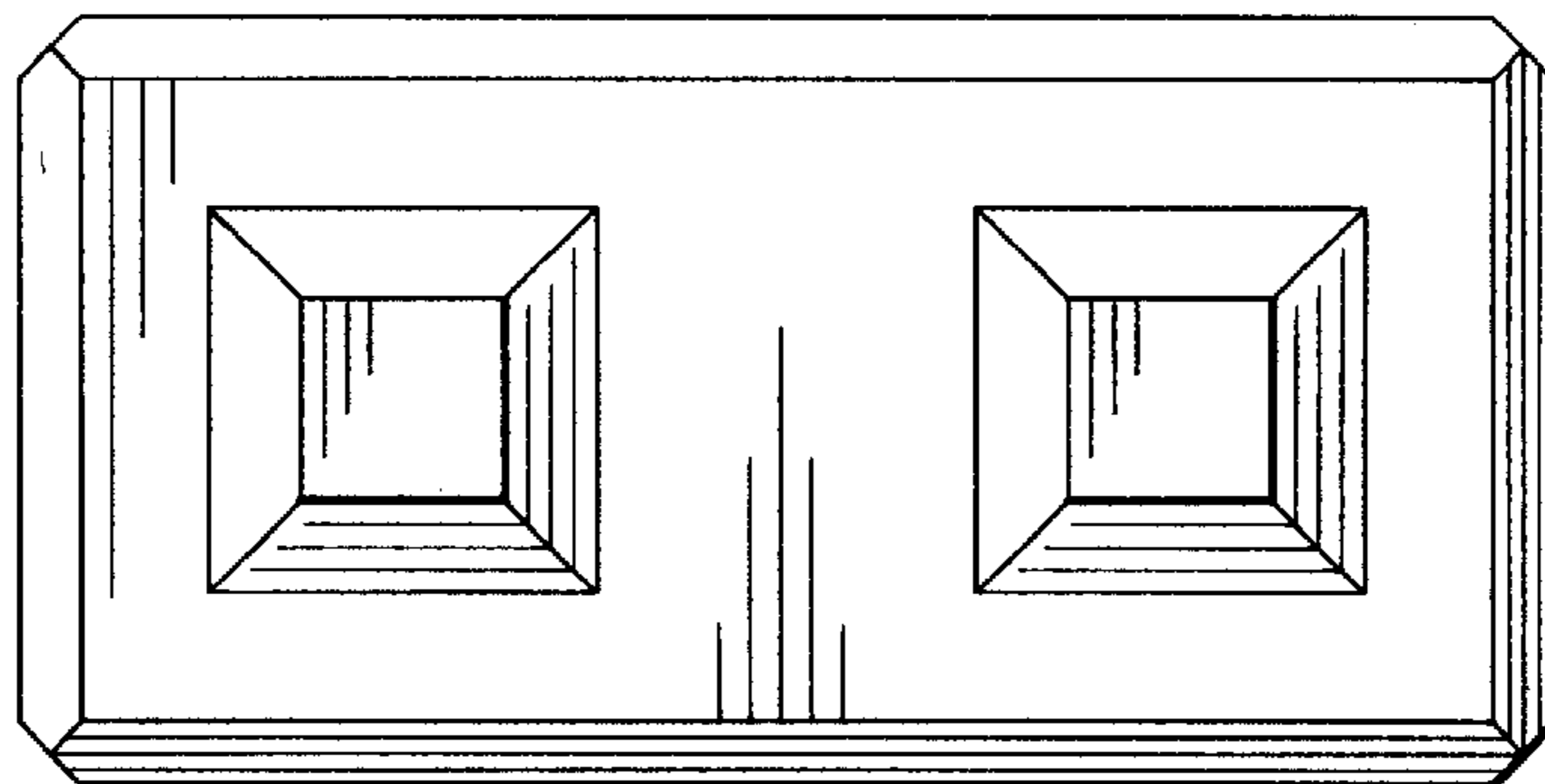


FIG. 2

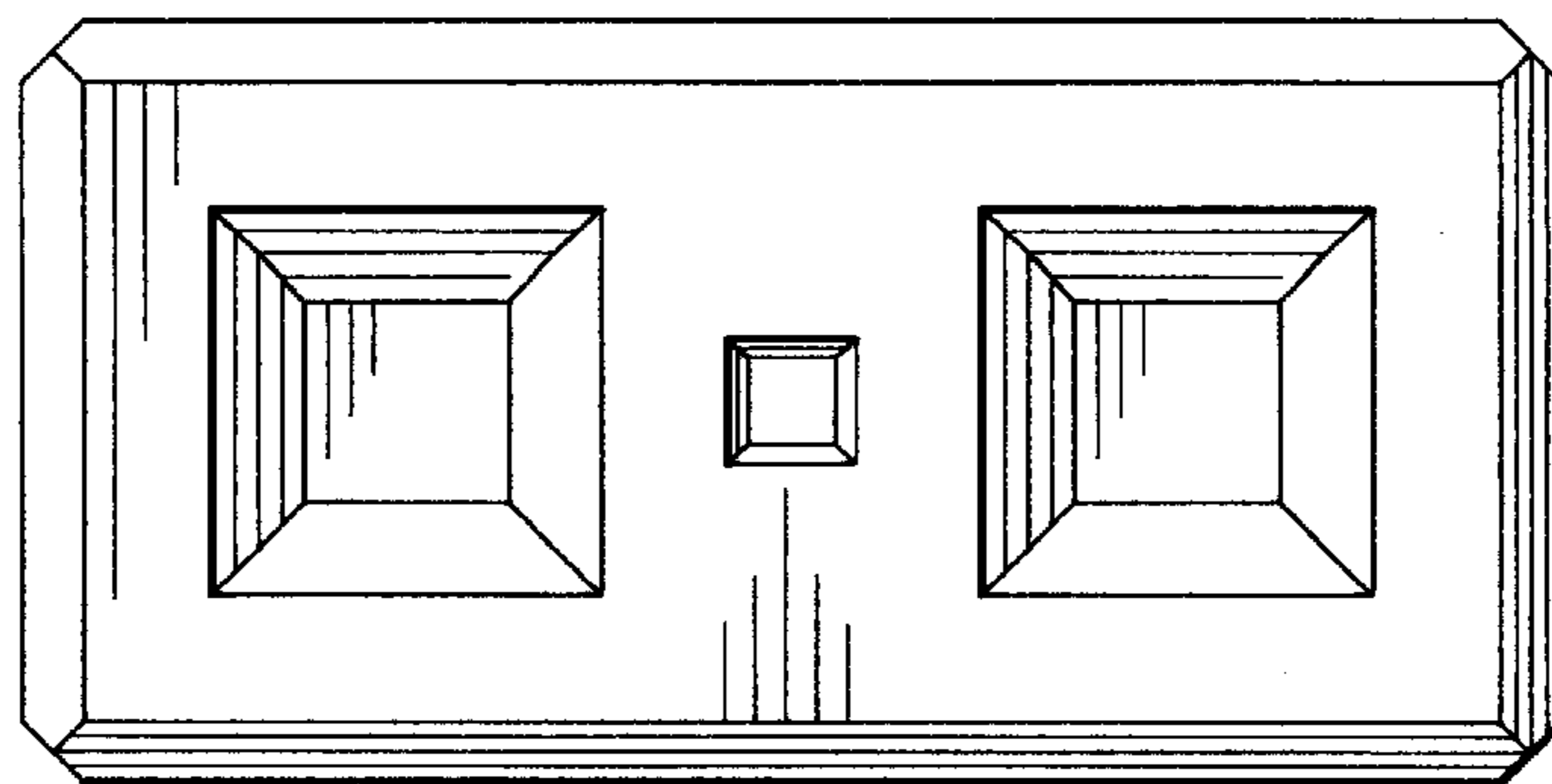


FIG. 3

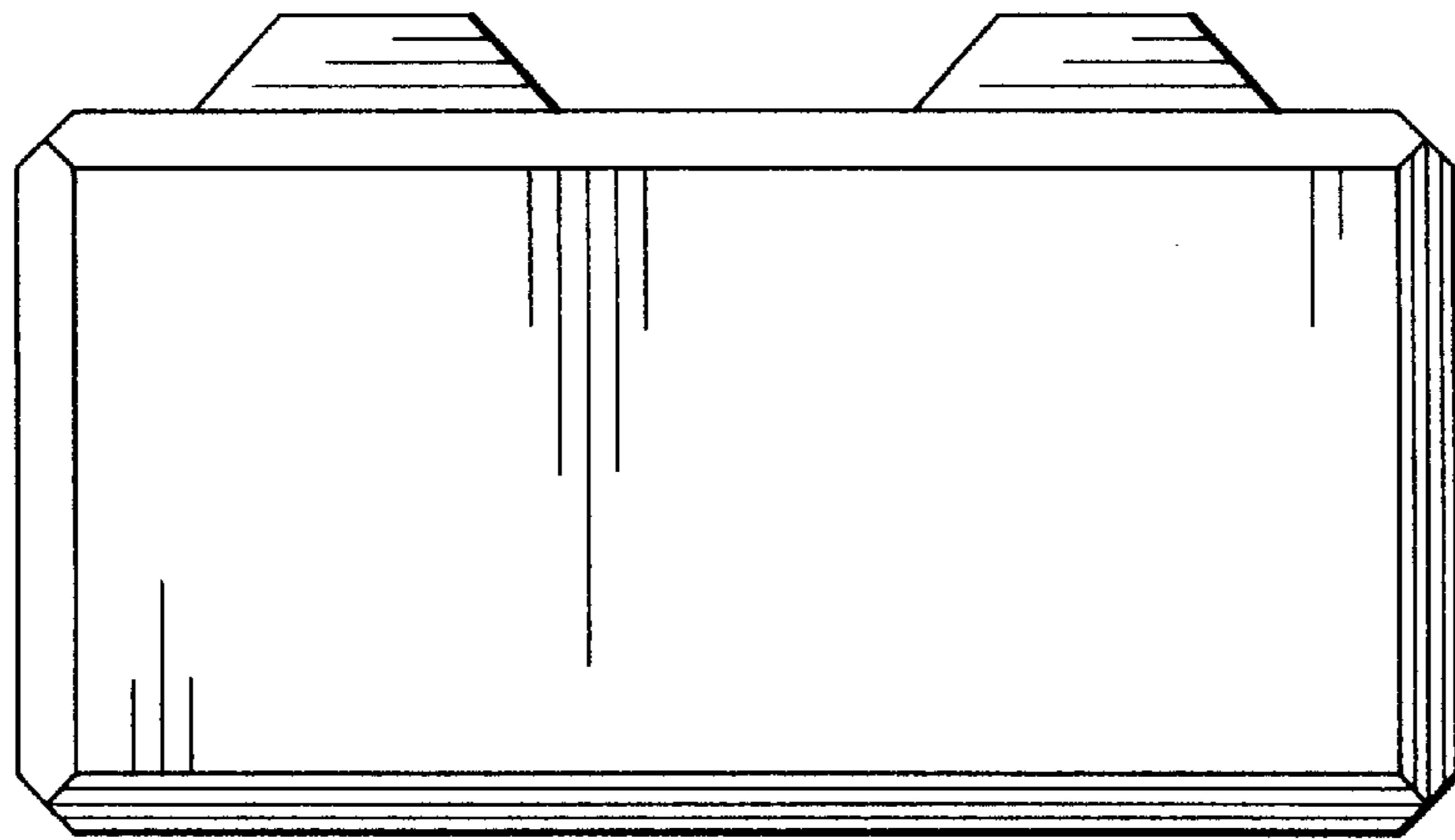


FIG. 4

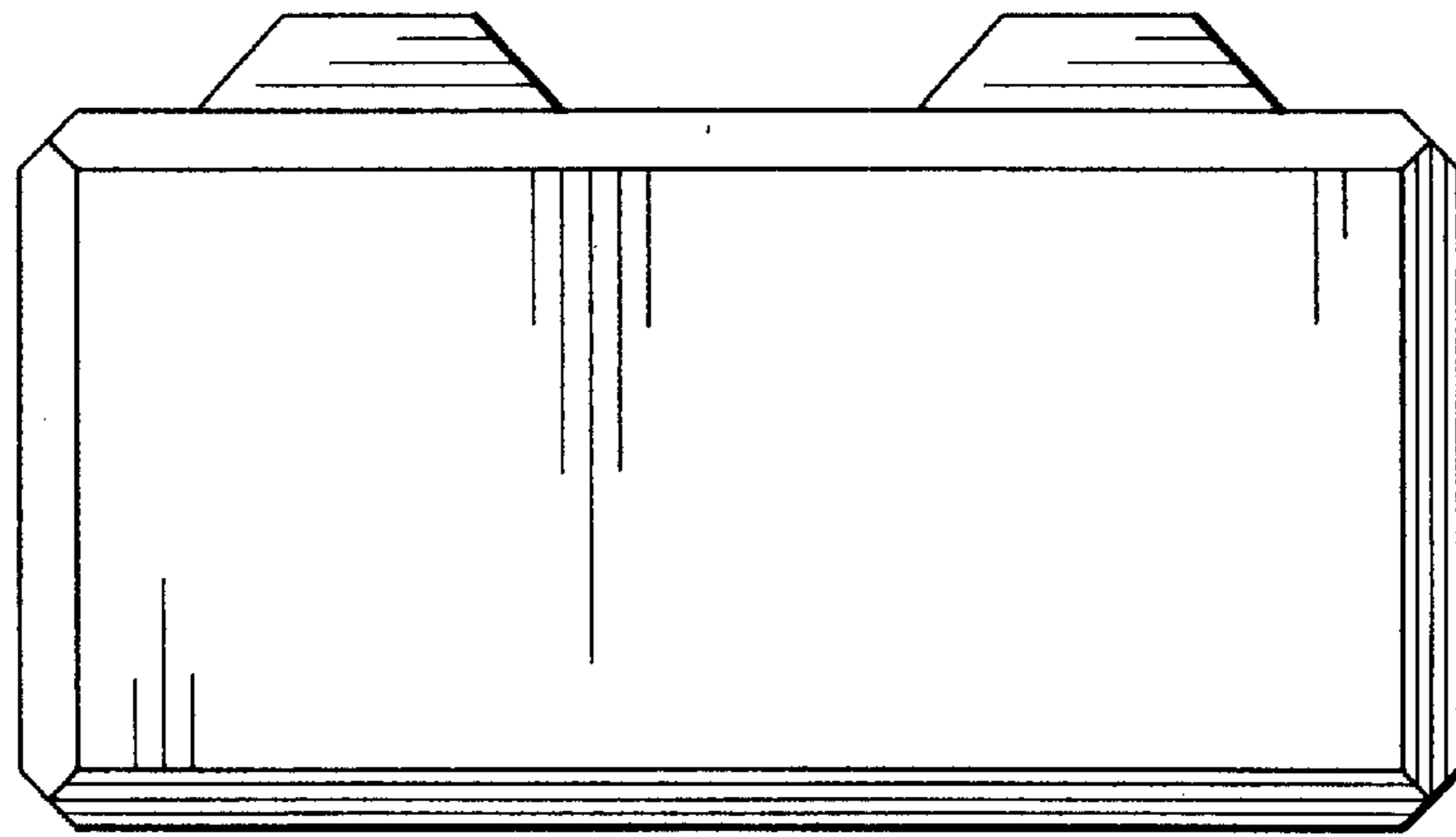


FIG. 5

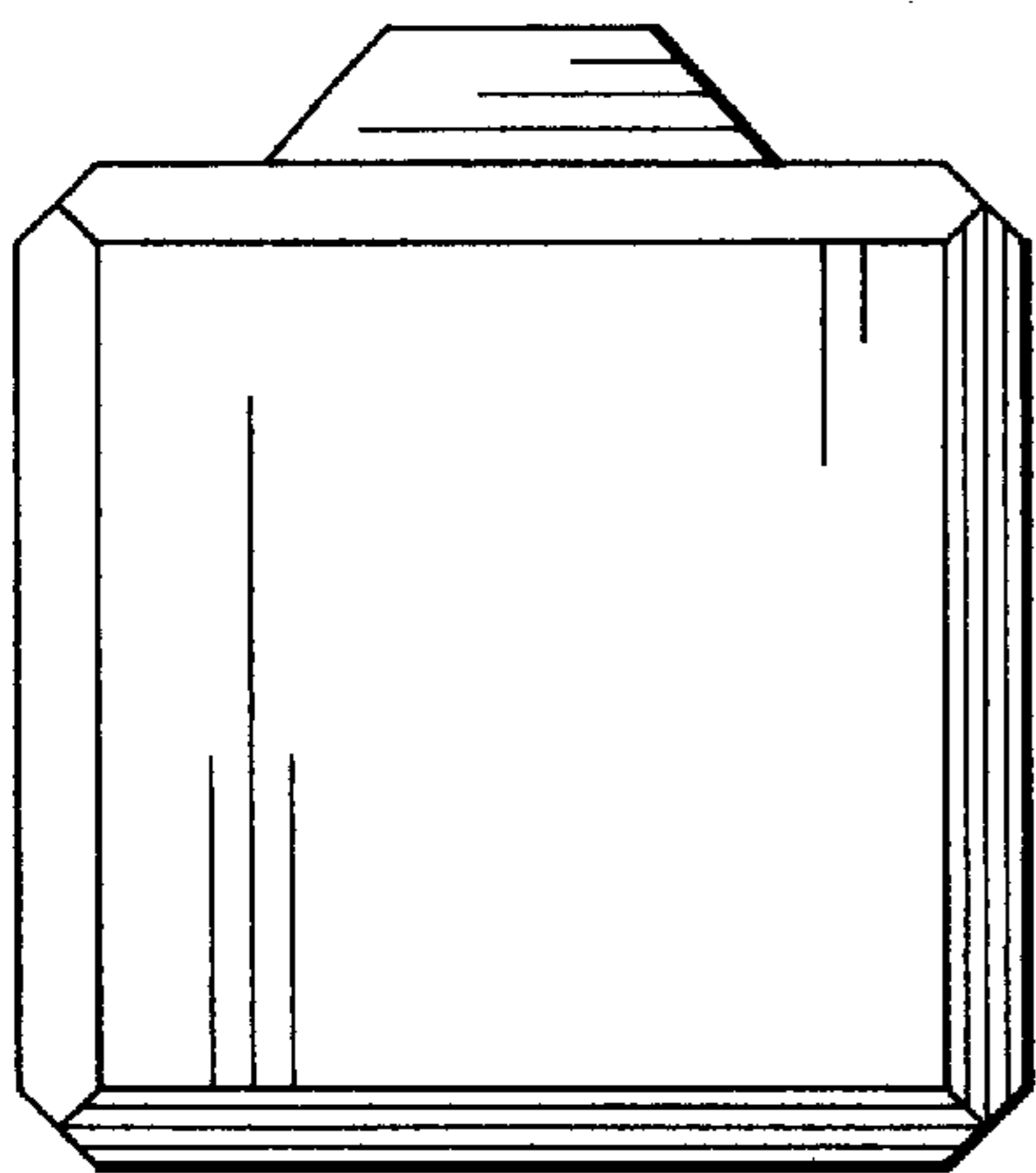


FIG. 6

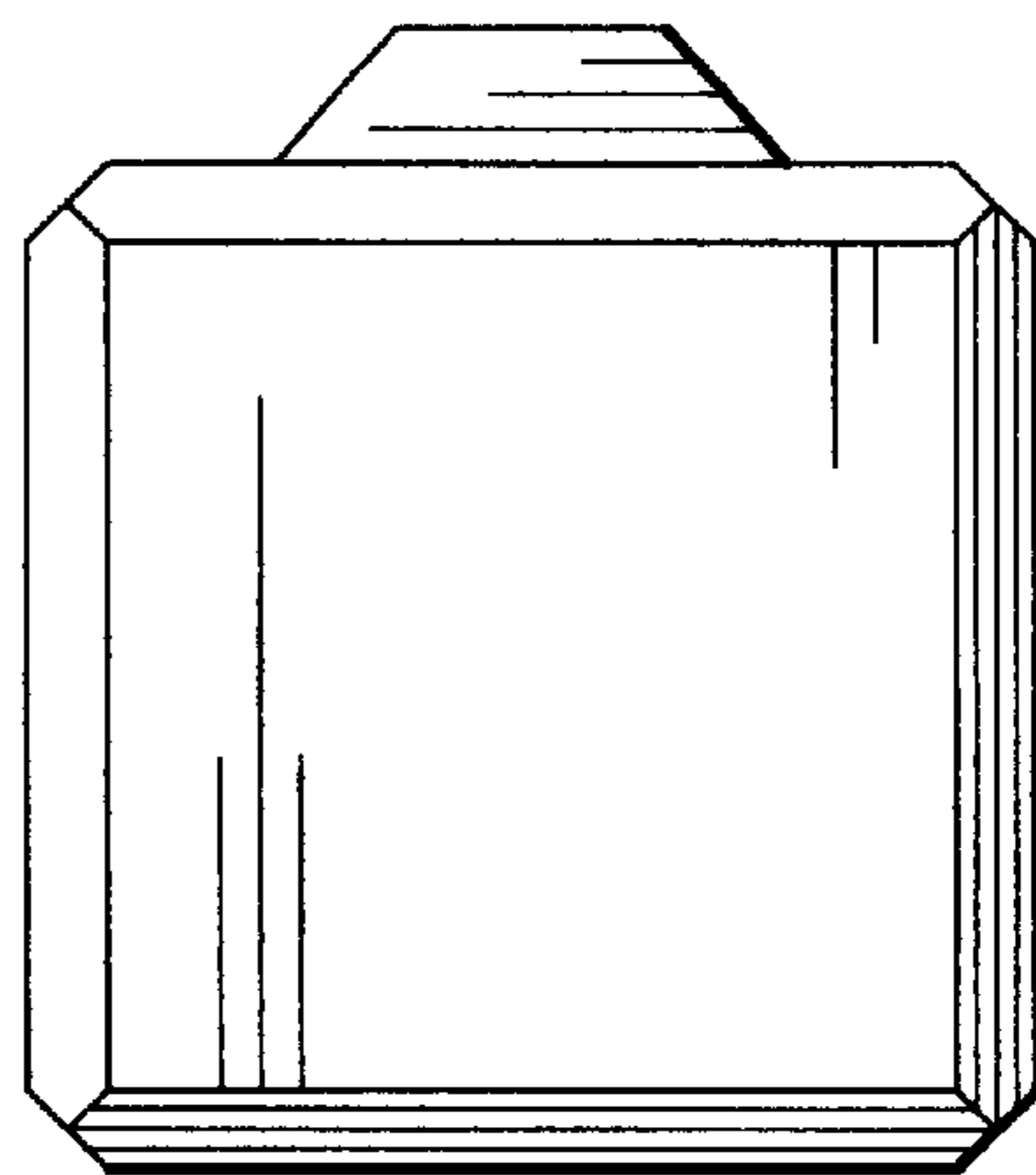


FIG. 7