



US00D457969S

(12) **United States Design Patent**  
**Smith**

(10) **Patent No.:** **US D457,969 S**

(45) **Date of Patent:** **\*\* May 28, 2002**

(54) **WAVE ENERGY EXTRACTION MODULE**

(75) **Inventor:** **Dennis G. Smith**, Summit, NJ (US)

(73) **Assignee:** **Wave Dispersion Technologies, Inc.**,  
Summit, NJ (US)

(\*\*) **Term:** **14 Years**

(21) **Appl. No.:** **29/132,444**

(22) **Filed:** **Nov. 9, 2000**

(51) **LOC (7) Cl.** ..... **25-01**

(52) **U.S. Cl.** ..... **D25/113**

(58) **Field of Search** ..... D25/113-118,  
D25/199; D13/101; D21/484-486, 503-505;  
405/16, 272-273, 284; 404/29-30, 32-35,  
37-42; 52/514-582.2, 596, 603-612

(56) **References Cited**

**U.S. PATENT DOCUMENTS**

3,938,338	A	2/1976	Cullen	
D260,880	S	* 9/1981	Spoor	D13/101
D285,463	S	* 9/1986	Davis	D21/502
D330,363	S	* 10/1992	Inoi	D13/101
D344,349	S	2/1994	Ohta	
D403,780	S	1/1999	Bishop et al.	
5,879,105	A	3/1999	Bishop et al.	
6,190,600	B1	2/2001	Lipniarski	

\* cited by examiner

*Primary Examiner*—Louis S. Zarfaz

*Assistant Examiner*—Robert A. Delehanty

(74) *Attorney, Agent, or Firm*—Weingram & Associates,  
P.C.

(57) **CLAIM**

The ornamental design for wave energy extraction module,  
as shown and described.

**DESCRIPTION**

FIG. 1 is a perspective view showing my new design for a  
wave energy extraction module according to the present  
invention;

FIG. 2 is a front elevational view thereof, a rear elevational  
view being a mirror image thereof;

FIG. 3 is a left side elevational view thereof, a right side  
elevational view being a mirror image thereof;

FIG. 4 is a top plan view thereof, a bottom plan view being  
a mirror image thereof;

FIG. 5 is a perspective view of a wave energy extraction  
module shown on a reduced scale with a plurality of like  
modules and connecting elements shown in broken lines and  
forming no part of the claimed design thereof;

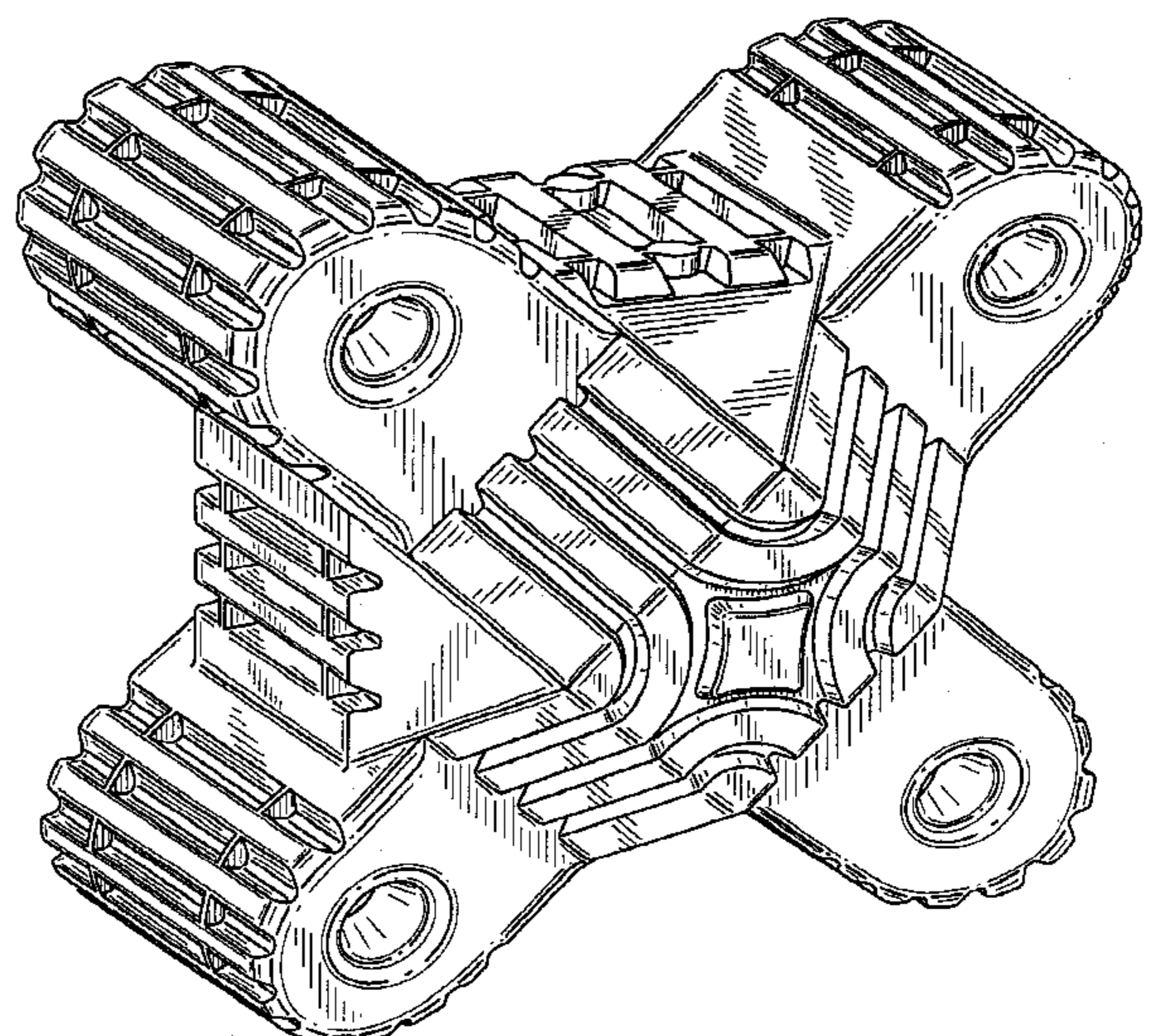
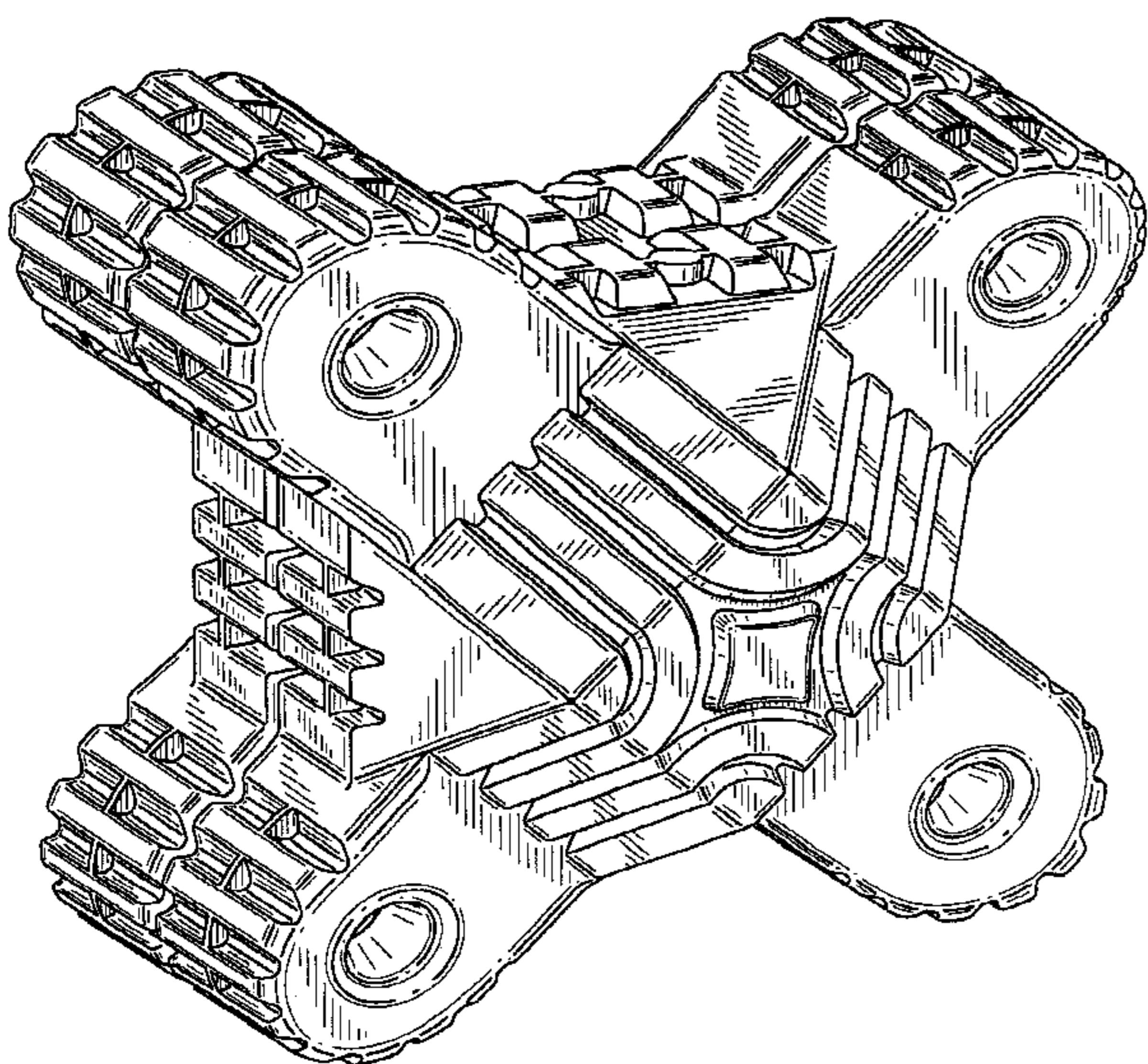
FIG. 6 is a perspective view of another embodiment of my  
new design for a wave energy extraction module according  
to the present invention;

FIG. 7 is a front elevational view thereof, a rear elevational  
view being a mirror image thereof;

FIG. 8 is a left side elevational view thereof, a right side  
elevational view being a mirror image thereof; and,

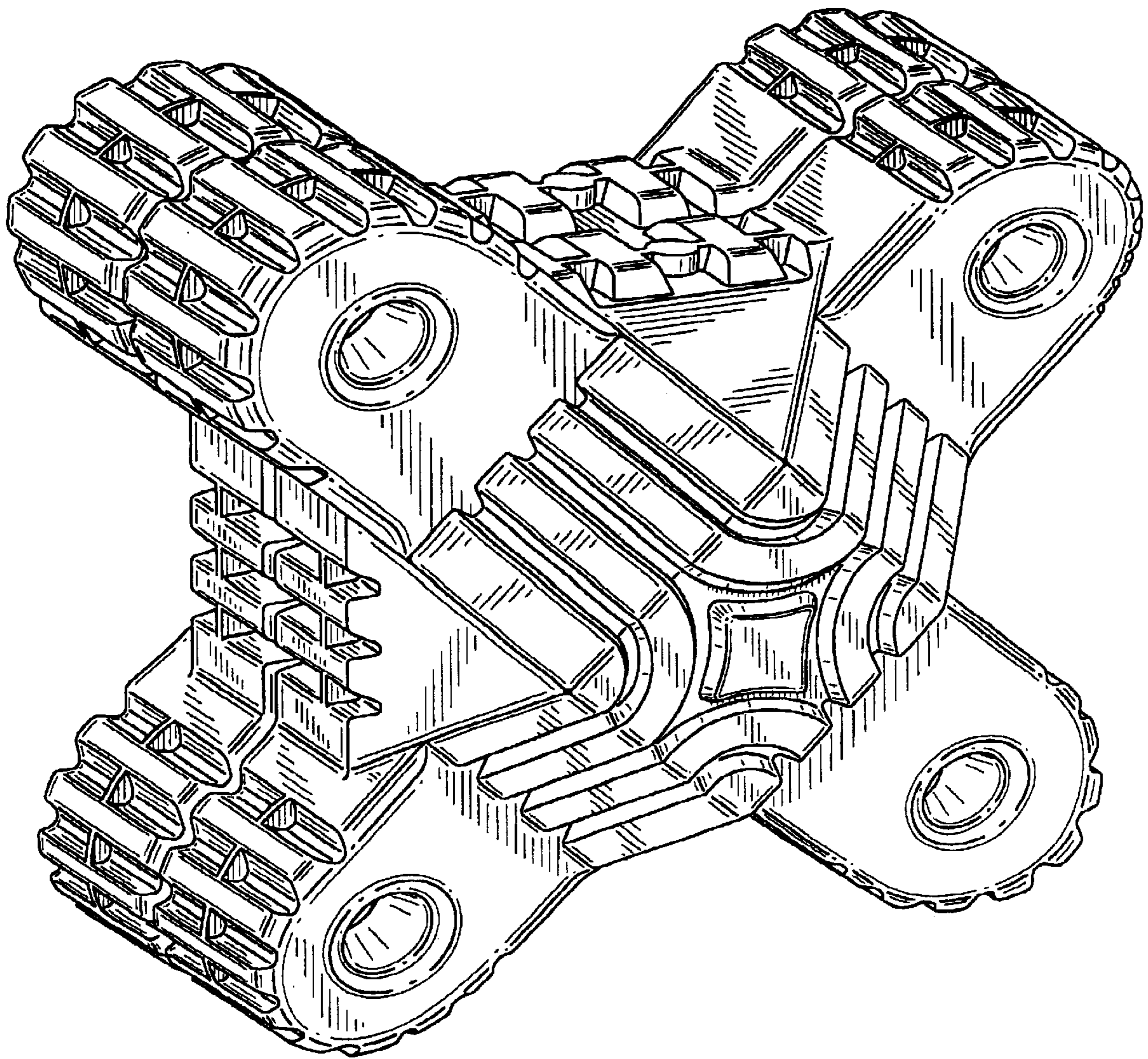
FIG. 9 is a top plan view thereof, a bottom plan view being  
a mirror image thereof.

**1 Claim, 9 Drawing Sheets**

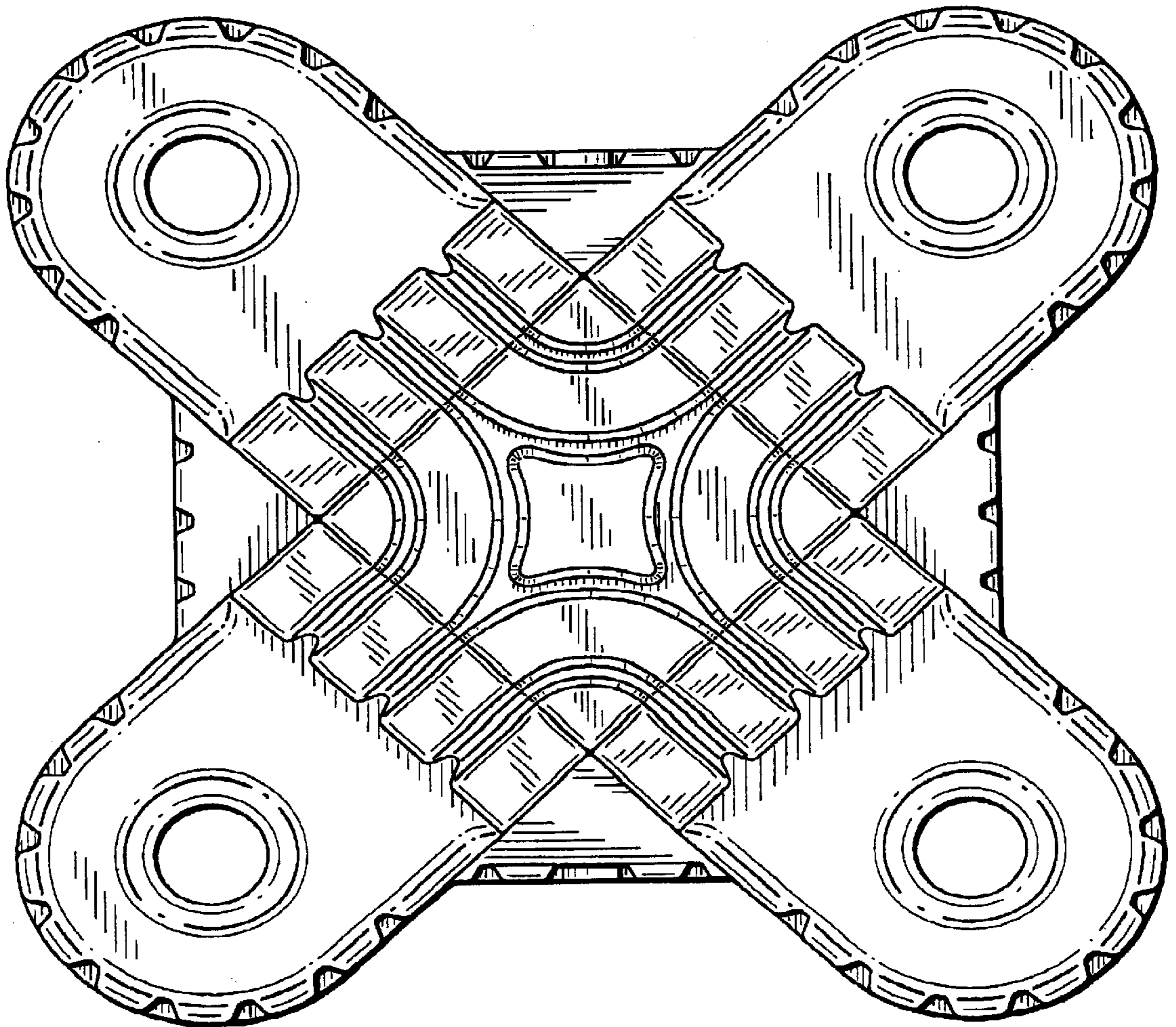




**FIG. 1**

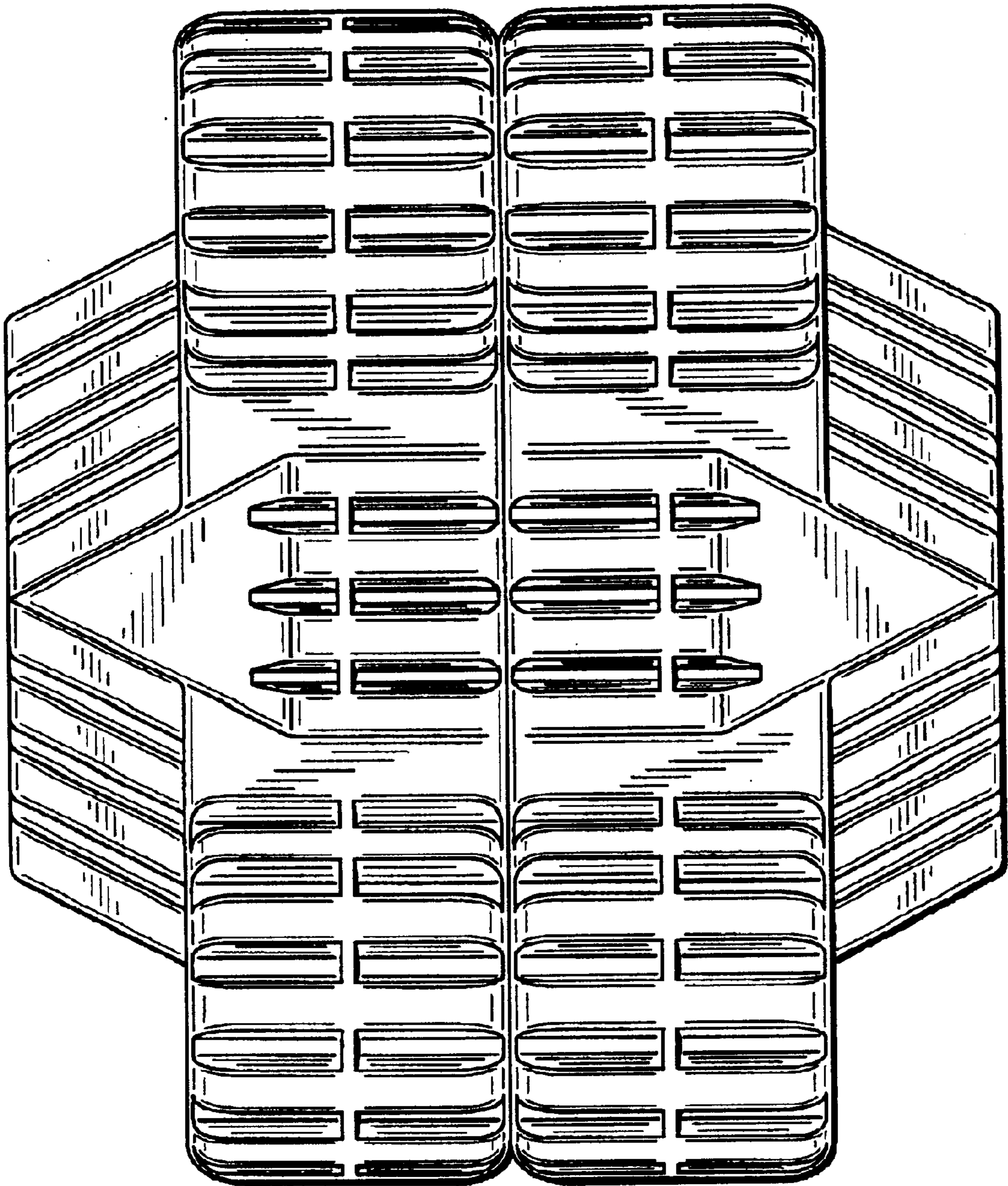


**FIG. 2**

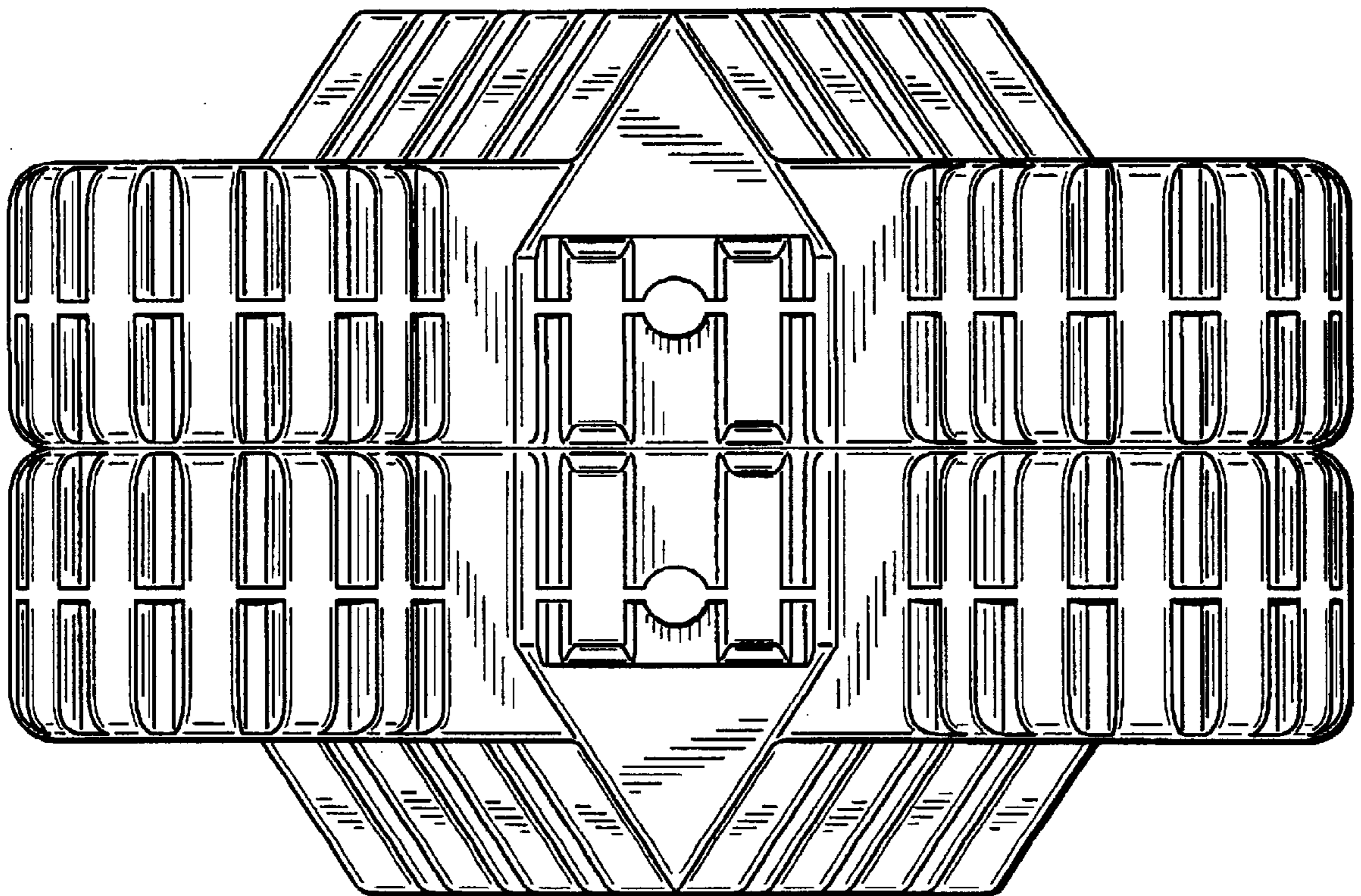




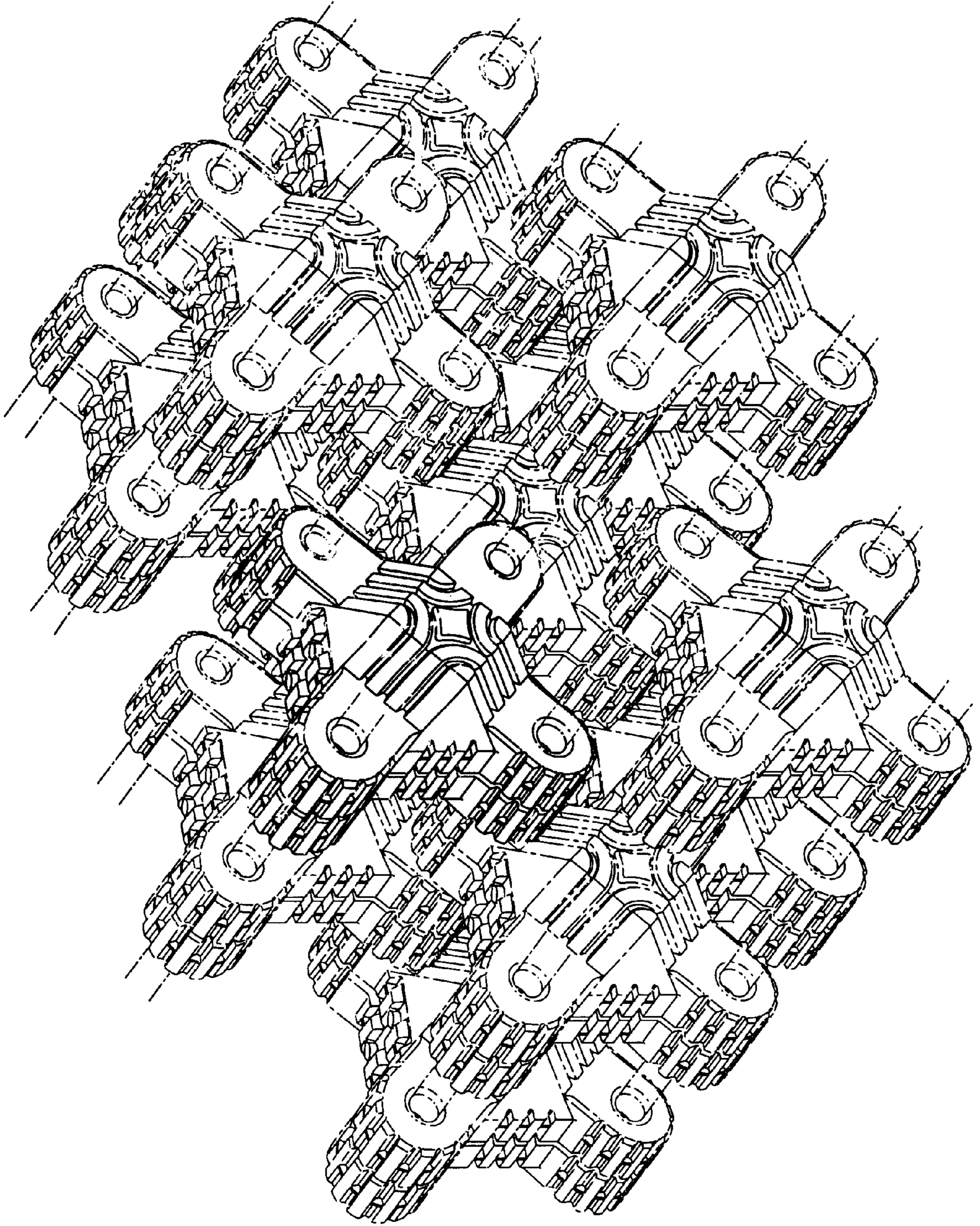
**FIG. 3**



**FIG. 4**



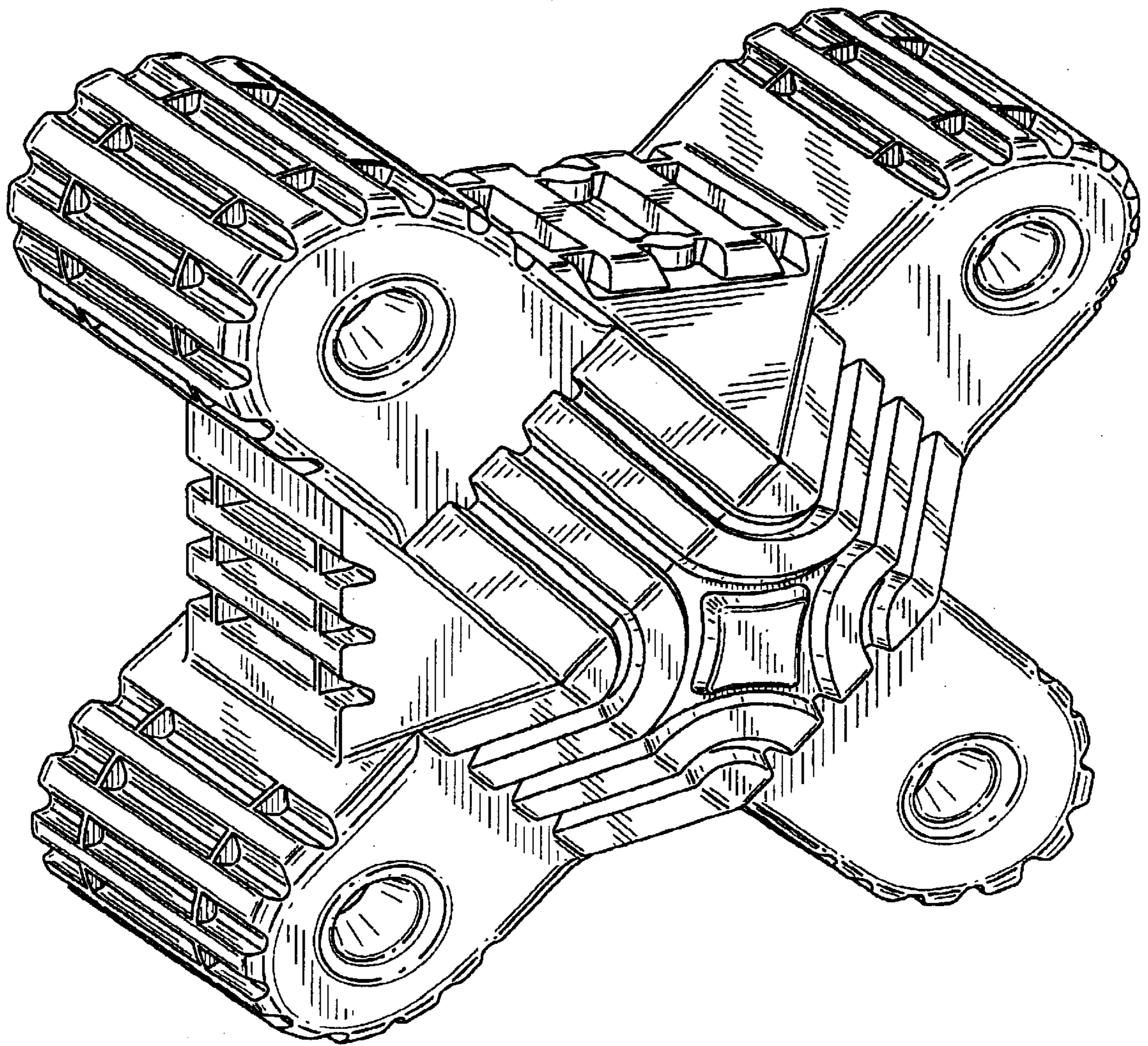




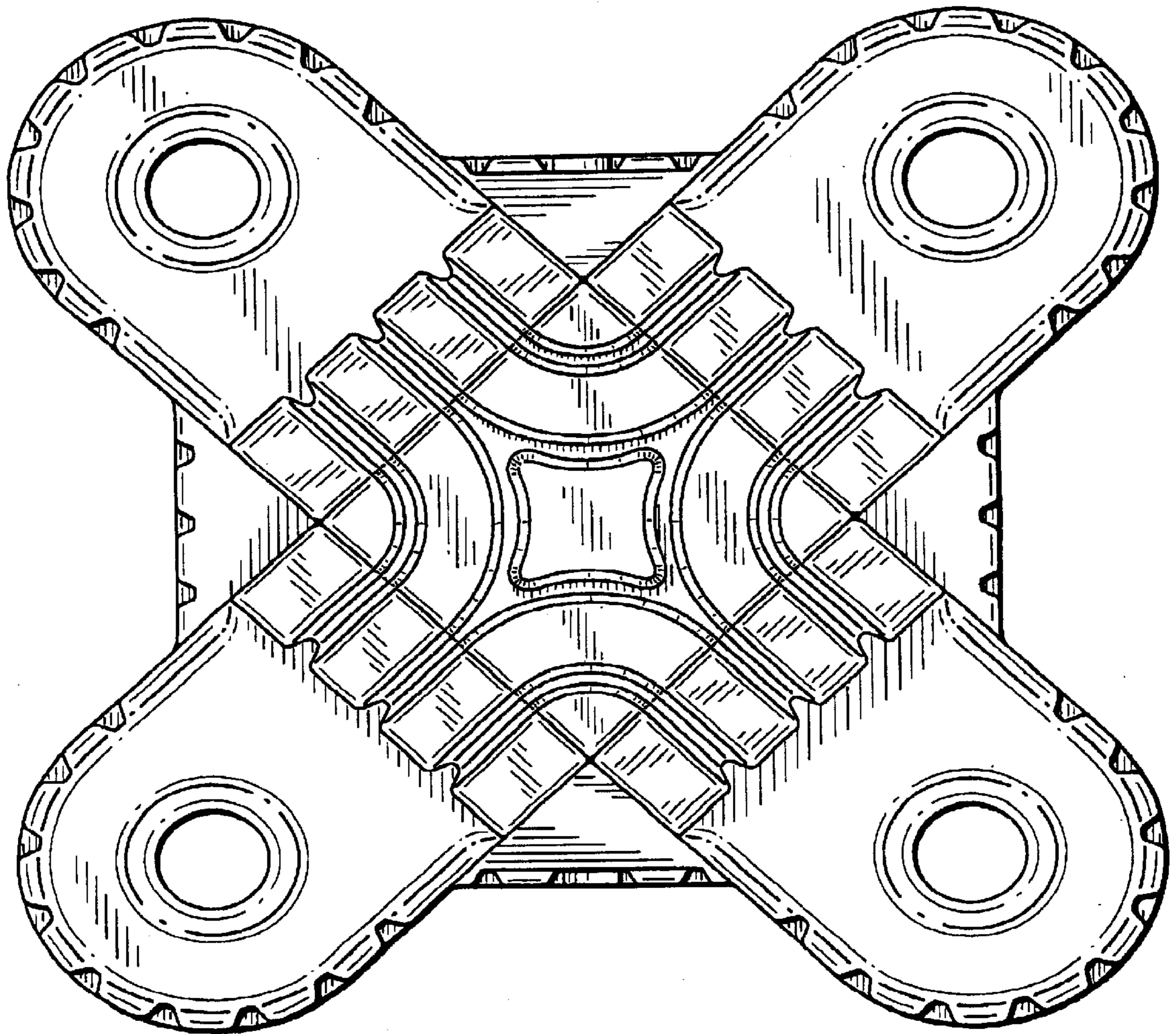
**FIG. 5**



**FIG. 6**

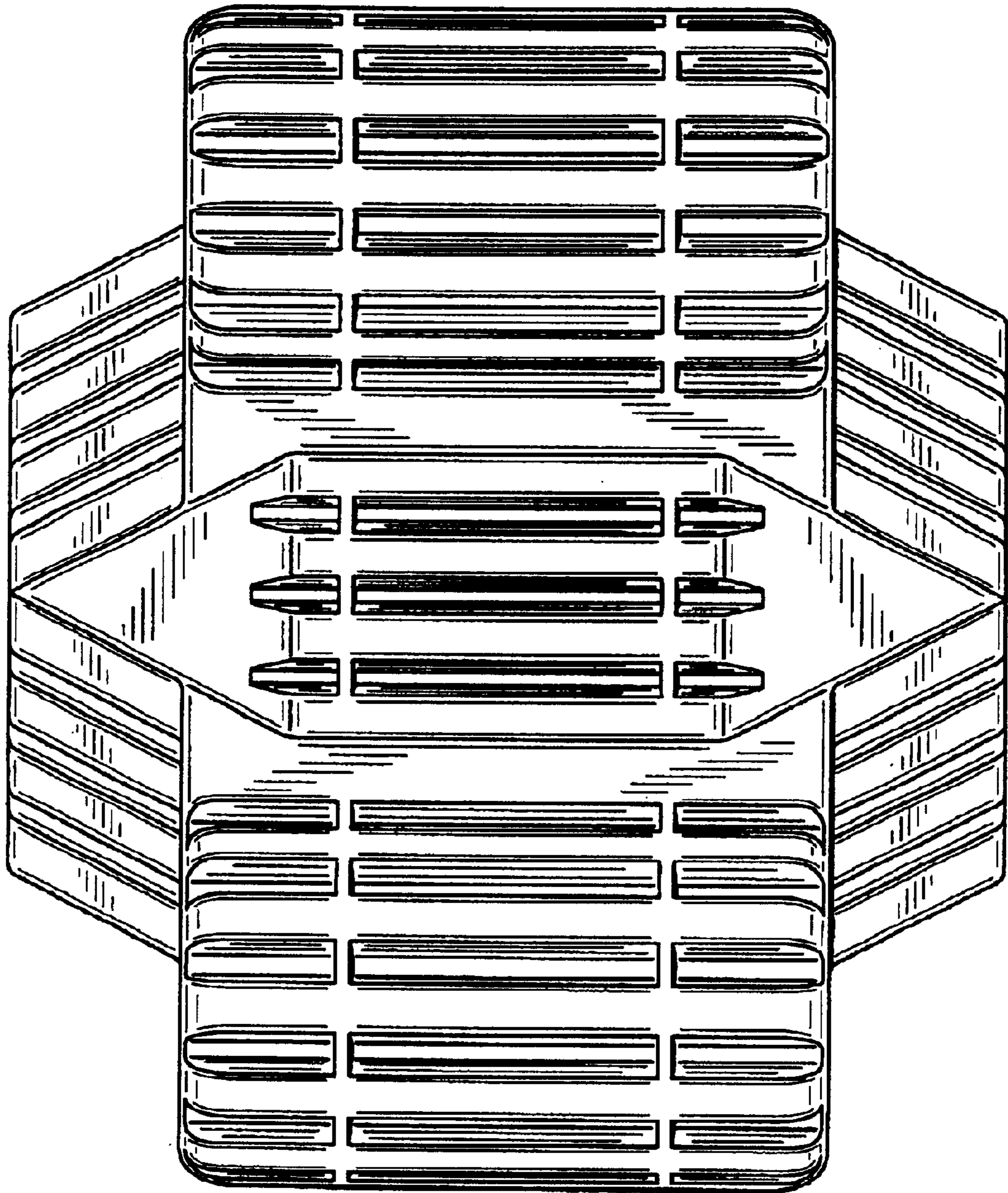


**FIG. 7**





**FIG. 8**



**FIG. 9**

