



US00D457967S

(12) **United States Design Patent**  
**Shaw et al.**

(10) **Patent No.: US D457,967 S**

(45) **Date of Patent: \*\* \*May 28, 2002**

(54) **NURSING BOTTLE HOLDER**

(75) **Inventors: Robert W. Shaw, Piscataway, NJ (US); Paul Dowd, Bronxville, NY (US)**

(73) **Assignee: Johnson & Johnson Consumer Companies, Inc., Skillman, NJ (US)**

(\* ) **Notice:** This patent is subject to a terminal disclaimer.

(\*\*) **Term: 14 Years**

(21) **Appl. No.: 29/107,161**

(22) **Filed: Jun. 29, 1999**

**Related U.S. Application Data**

(62) Division of application No. 29/073,808, filed on Jul. 17, 1997, now Pat. No. Des. 414,268.

(51) **LOC (7) Cl. .... 07-01**

(52) **U.S. Cl. .... D24/199**

(58) **Field of Search .... D24/199, 197; 248/102, 103, 104, 105, 106, 107; 215/11.1-11.6**

(56) **References Cited**

**U.S. PATENT DOCUMENTS**

D138,925 S	9/1944	Ostrin et al.	
3,061,129 A	10/1962	FitzGerald	
3,071,272 A	1/1963	Doner	
3,145,867 A	8/1964	Roberts et al.	
3,762,542 A	10/1973	Grimes	
4,676,387 A	6/1987	Stphenson et al.	
D298,970 S	* 12/1988	Dirks	D24/199
4,813,556 A	3/1989	Lawrence	
D300,560 S	* 4/1989	Losito	D24/199
4,925,042 A	5/1990	Chong	

D310,417 S	* 9/1990	Herritz	D24/199
D315,959 S	* 4/1991	Bilangi	D24/199
D325,973 S	* 5/1992	Chen et al.	D24/197
D326,523 S	* 5/1992	Chen et al.	D24/197
5,509,549 A	4/1996	Marandola	
D371,849 S	7/1996	Thom	
5,540,341 A	7/1996	Hadley et al.	
5,551,583 A	9/1996	Sachathamakul et al.	
D376,430 S	12/1996	Humphrey et al.	
5,588,548 A	12/1996	Brankley	

**FOREIGN PATENT DOCUMENTS**

EP	0 061 868 A1	10/1982
EP	0 414 673 B1	3/1994
GB	2 109 247	6/1983
GB	2 277 452 A	11/1994
WO	WO 91/03	3/1991
WO	WO 92/01435	2/1992
WO	WO 92/14437	9/1992

\* cited by examiner

*Primary Examiner*—Stella Reid

(74) *Attorney, Agent, or Firm*—Michele G. Mangini

(57) **CLAIM**

The ornamental design for a nursing bottle holder, as shown and described.

**DESCRIPTION**

FIG. 1 is a perspective view of the nursing bottle holder of this invention.

FIG. 2 is a front elevational view thereof;

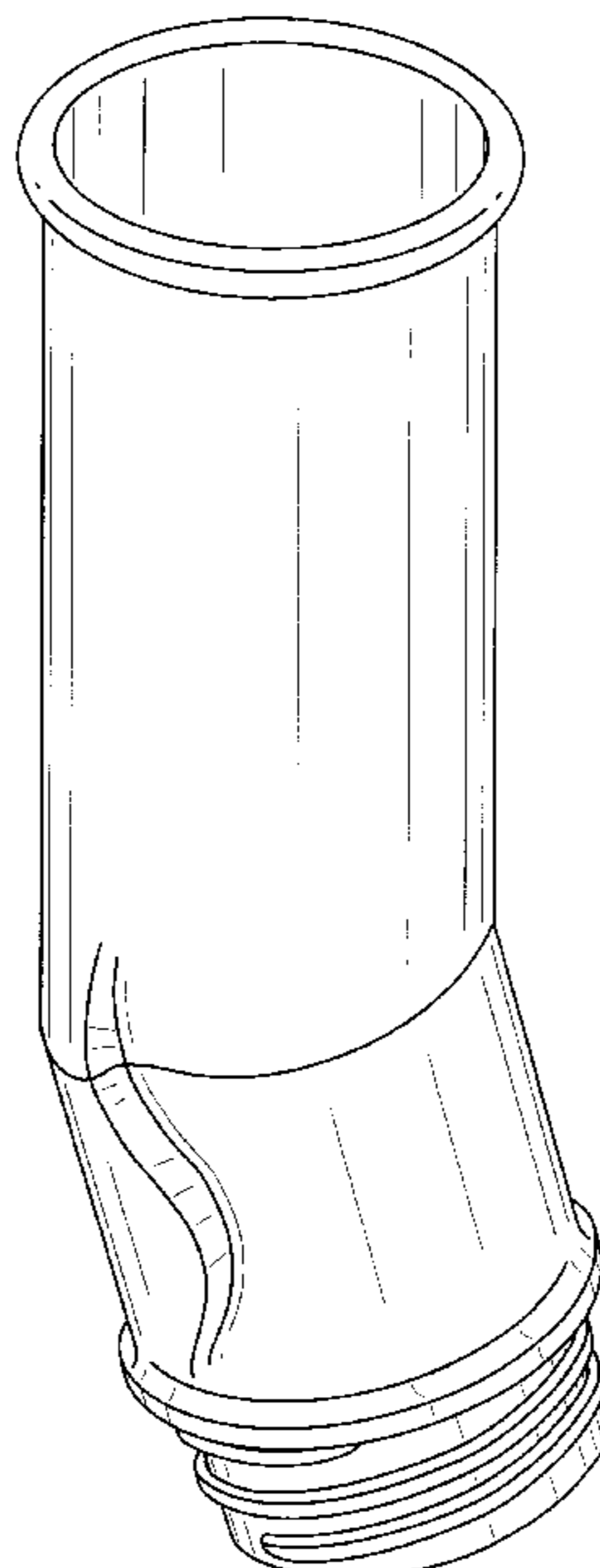
FIG. 3 is a side elevational view thereof, the opposite side being a mirror image;

FIG. 4 is a rear elevational view thereof;

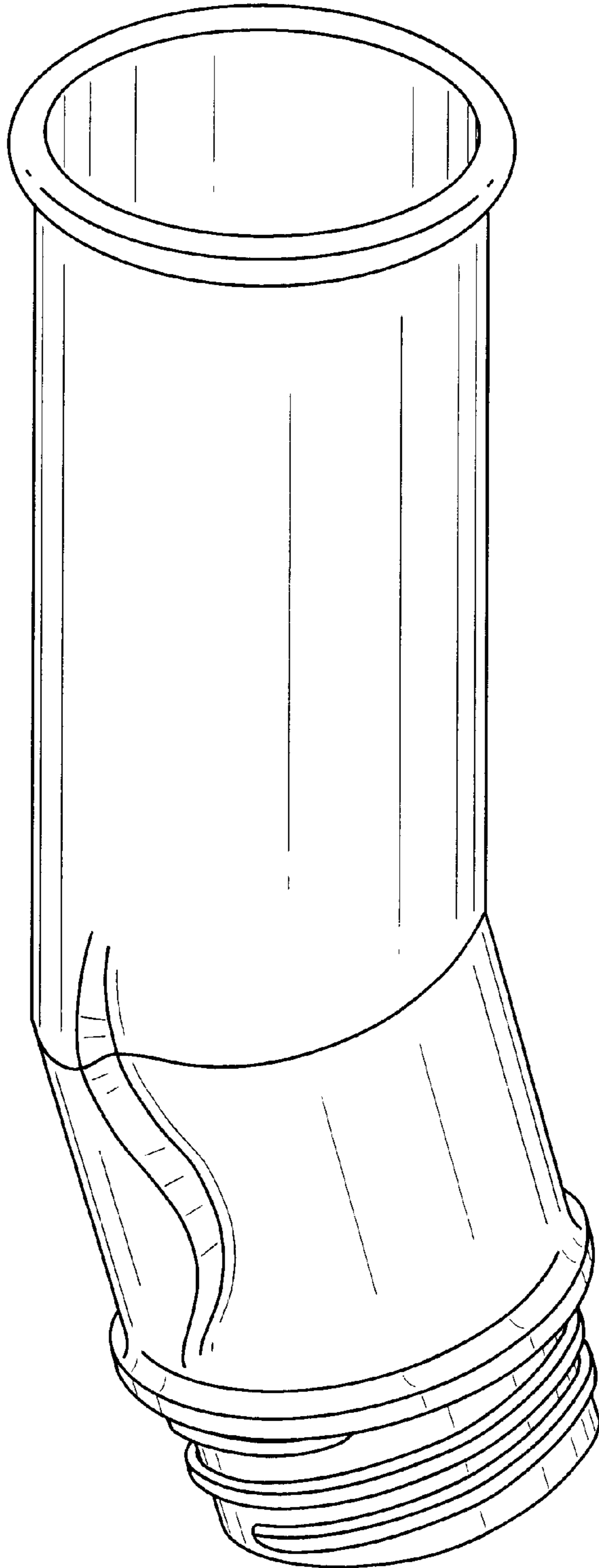
FIG. 5 is a top plan view thereof; and,

FIG. 6 is a bottom plan view thereof.

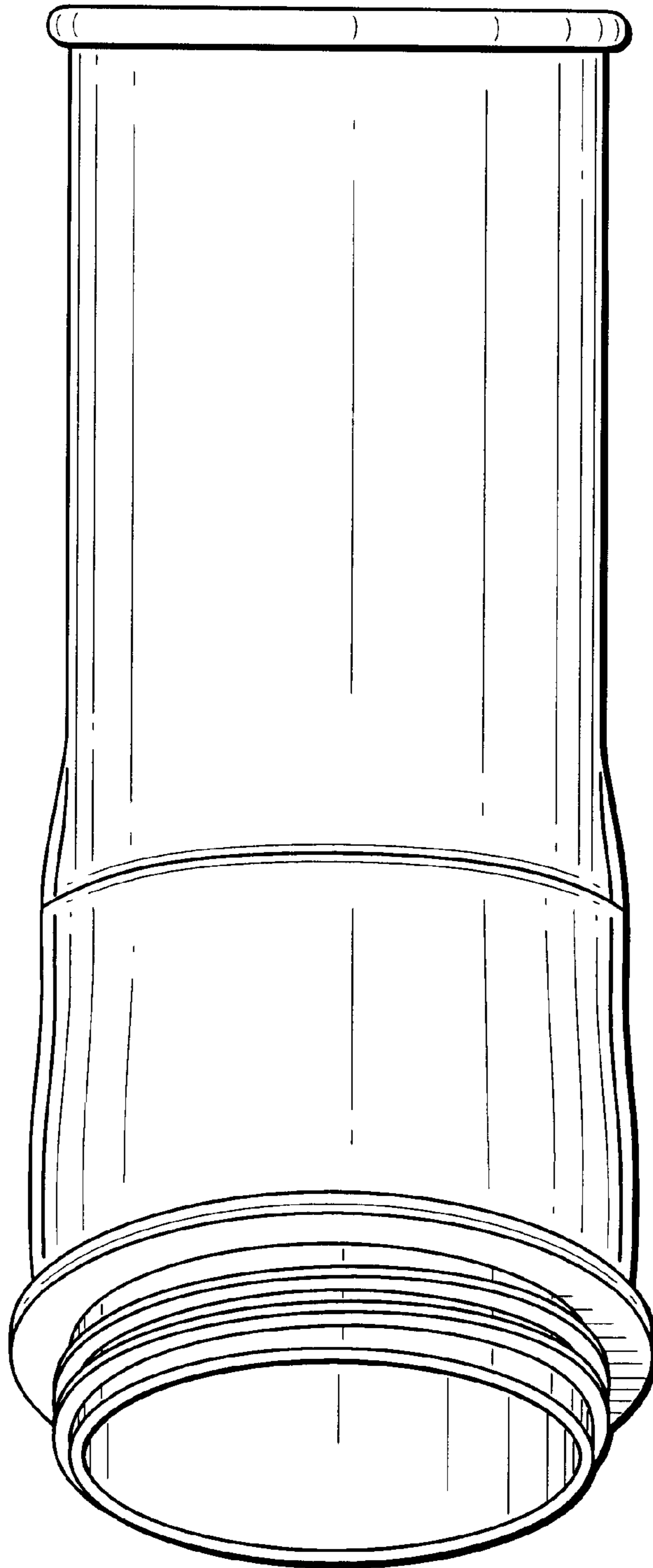
**1 Claim, 5 Drawing Sheets**



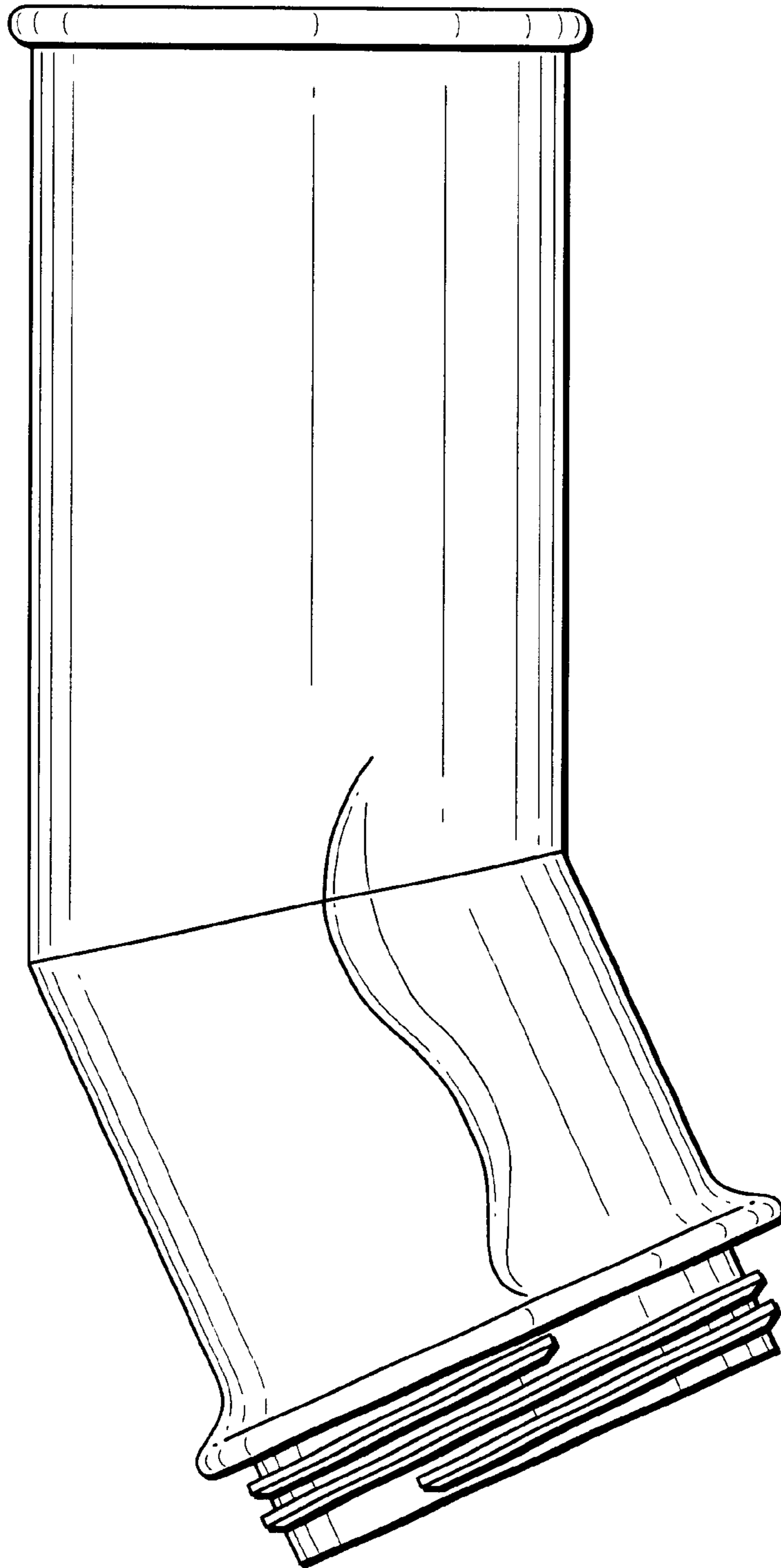
**FIG. 1**



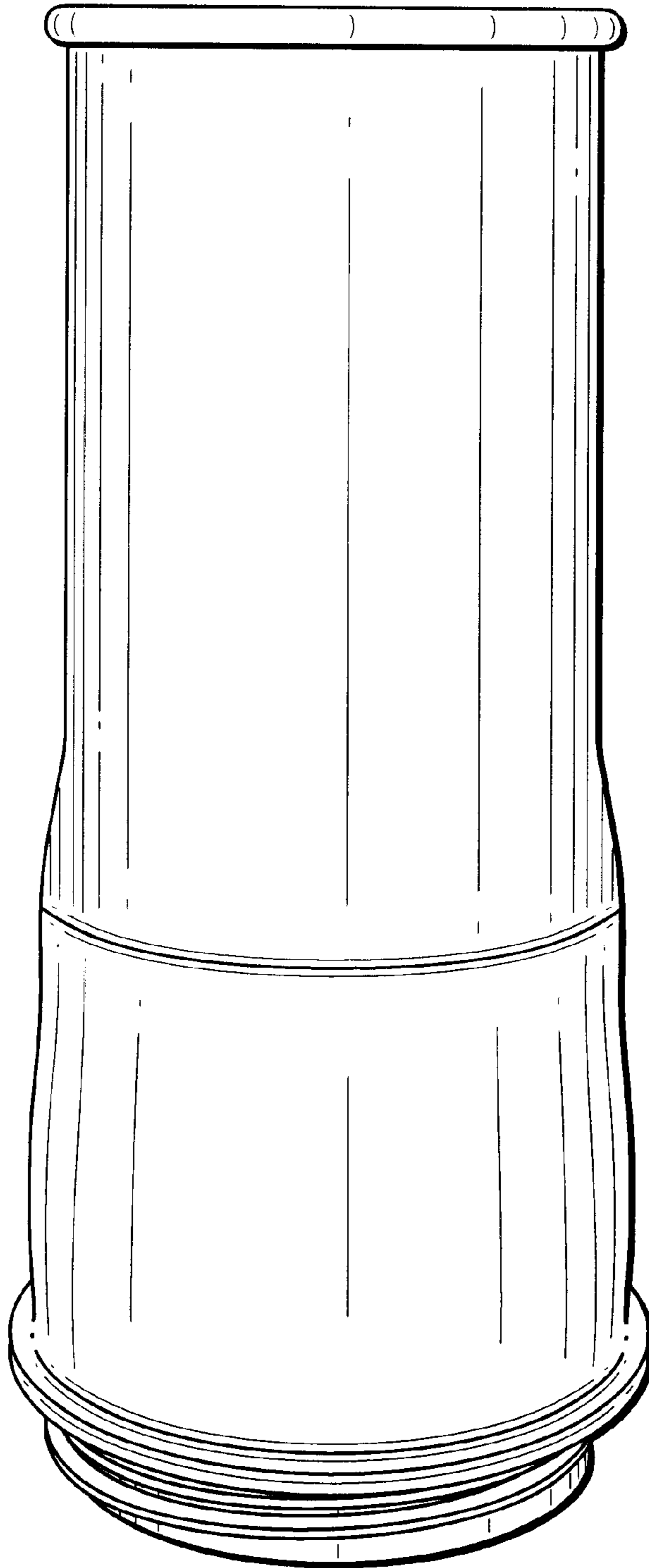
**FIG. 2**



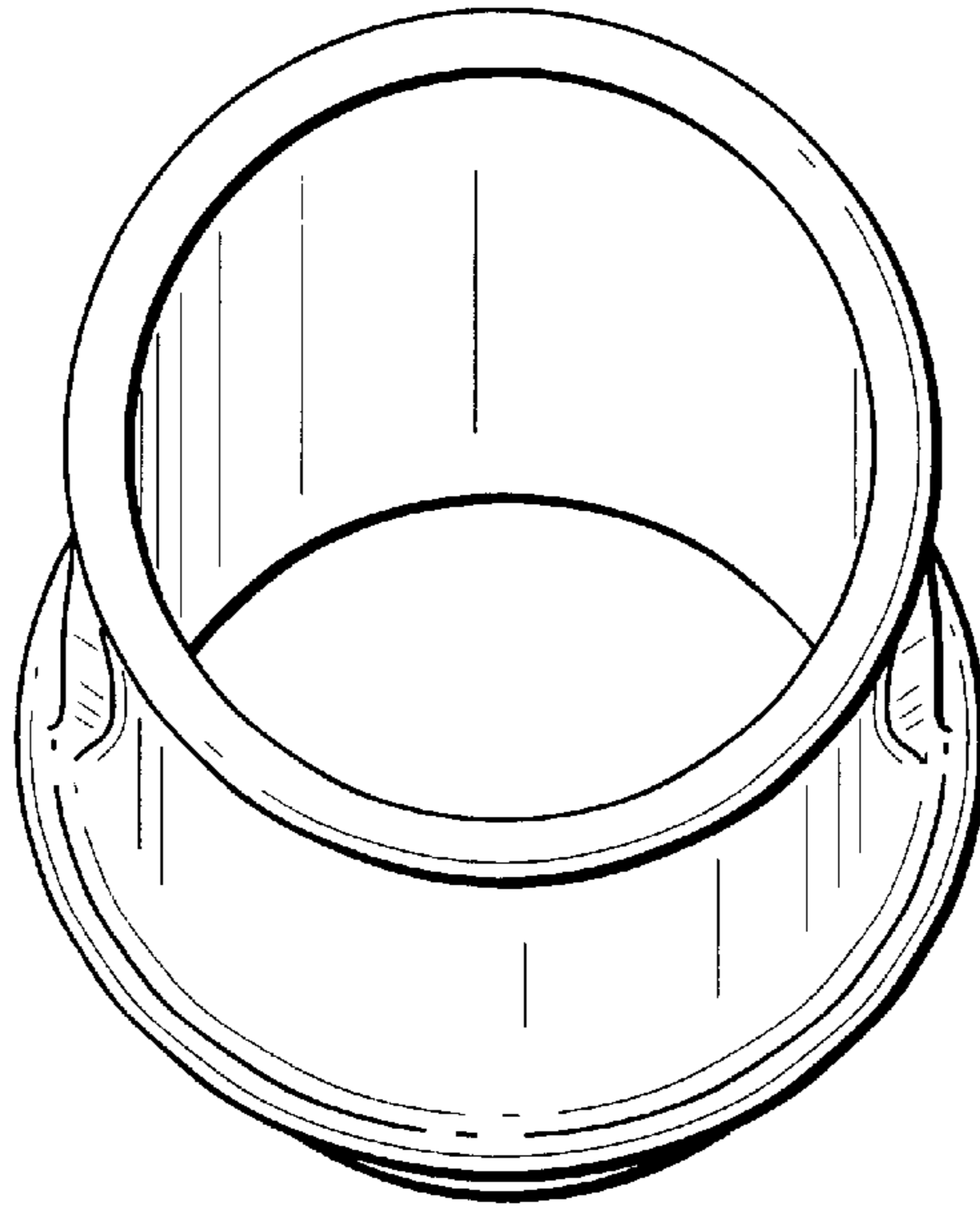
**FIG. 3**



**FIG. 4**



**FIG. 5**



**FIG. 6**

