



US00D457960S

(12) **United States Design Patent**  
**Eggers et al.**

(10) **Patent No.:** **US D457,960 S**

(45) **Date of Patent:** **\*\* May 28, 2002**

(54) **ELECTROSURGICAL INSTRUMENT HANDLE**

D433,752 S \* 11/2000 Saravia ..... D24/144

\* cited by examiner

(75) Inventors: **Philip E. Eggers**, Dublin, OH (US);  
**Scott P. Huntley**, Danville; **Andre de Salis**, Pasadena, both of CA (US)

*Primary Examiner*—Ian Simmons

(74) *Attorney, Agent, or Firm*—Mueller and Smith, LPA

(73) Assignee: **Neothermia Corporation**, Natick, MA (US)

(57) **CLAIM**

(\*\*) Term: **14 Years**

The ornamental design for the electrosurgical instrument handle, as shown and described.

(21) Appl. No.: **29/144,897**

**DESCRIPTION**

(22) Filed: **Jul. 12, 2001**

FIG. 1 is a perspective view of the electrosurgical instrument handle, showing my new design;

(51) **LOC (7) Cl.** ..... **24-02**

FIG. 2 is a right side view thereof.

(52) **U.S. Cl.** ..... **D24/144**

FIG. 3 is a front end view thereof.

(58) **Field of Search** ..... D24/144, 133;  
606/46, 42, 37, 43, 40, 45, 49, 35, 48,  
41

FIG. 4 is a bottom view thereof.

FIG. 5 is a top view thereof.

FIG. 6 is a left side bottom view thereof; and,

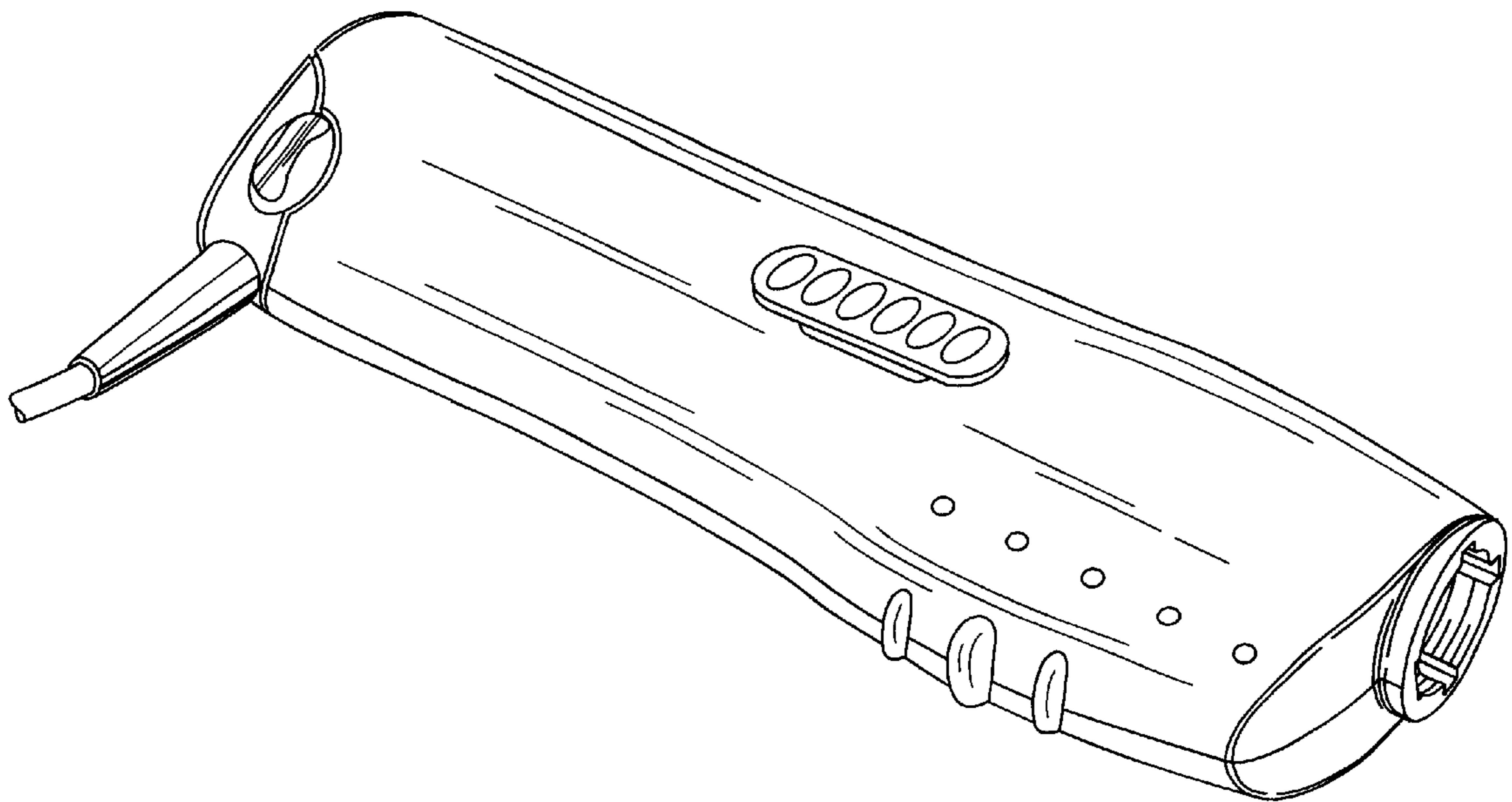
FIG. 7 is a rear end view thereof.

(56) **References Cited**

**U.S. PATENT DOCUMENTS**

D351,227 S \* 10/1994 Patton et al. .... D24/133

**1 Claim, 2 Drawing Sheets**



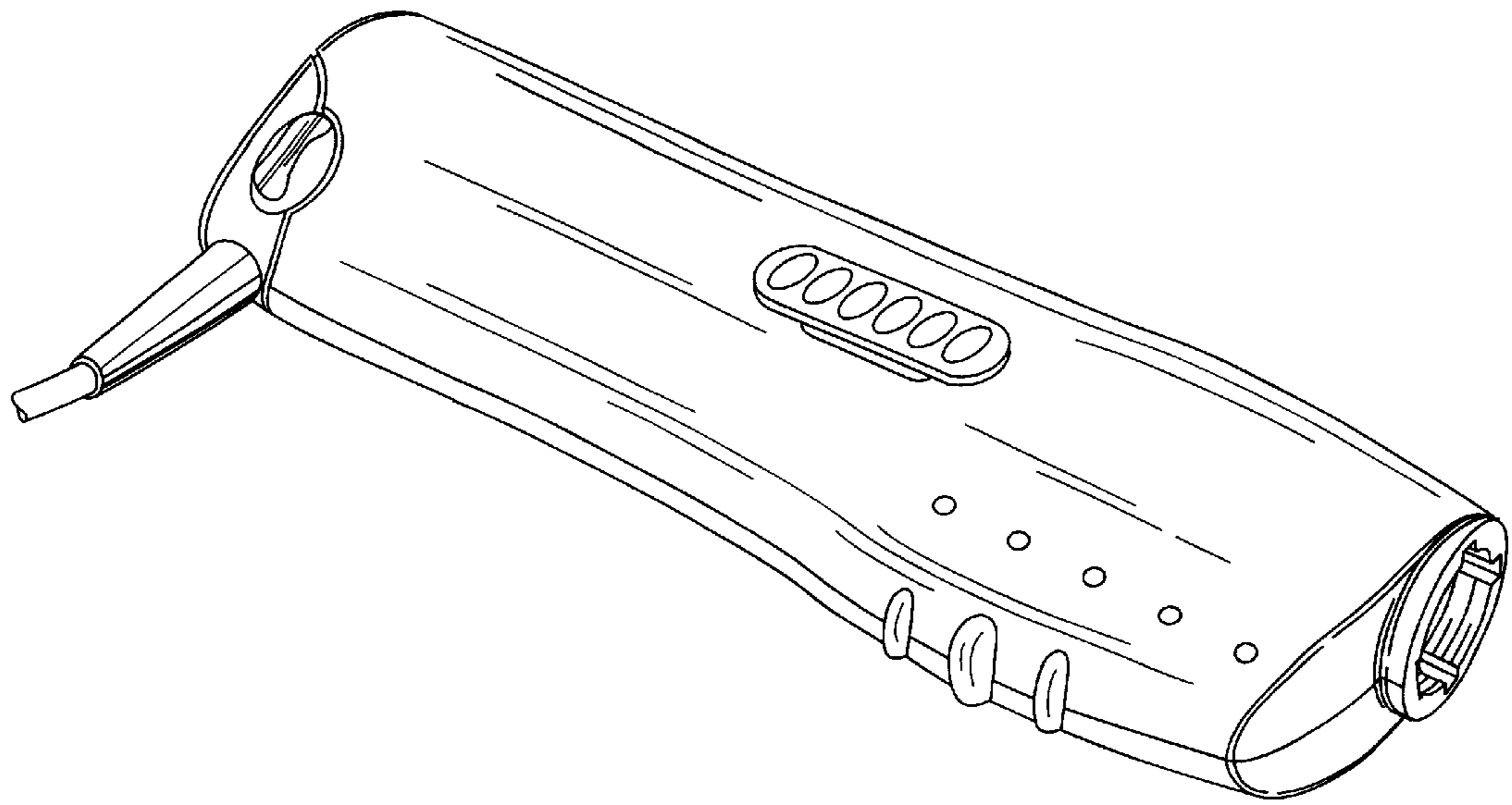


FIG. 1

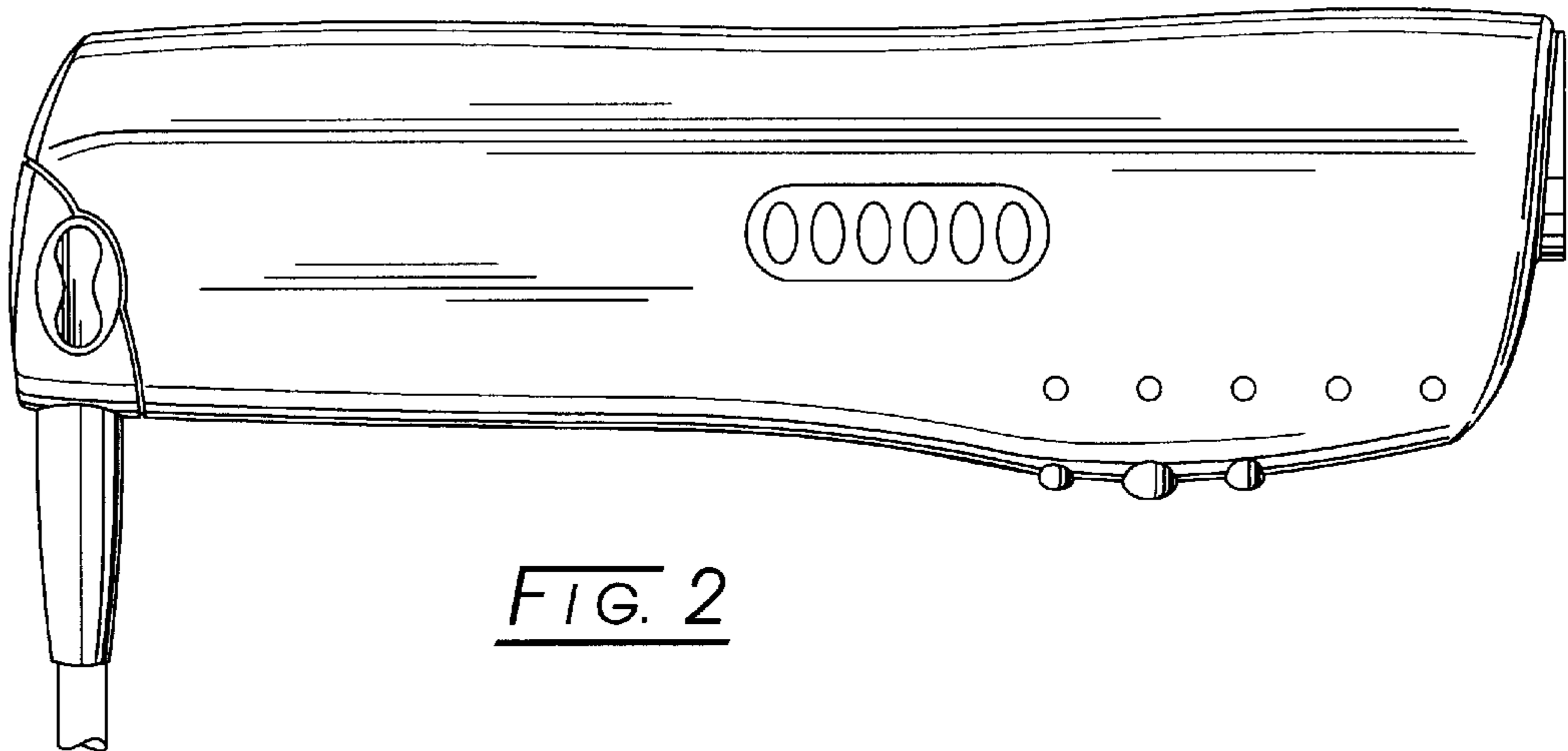


FIG. 2

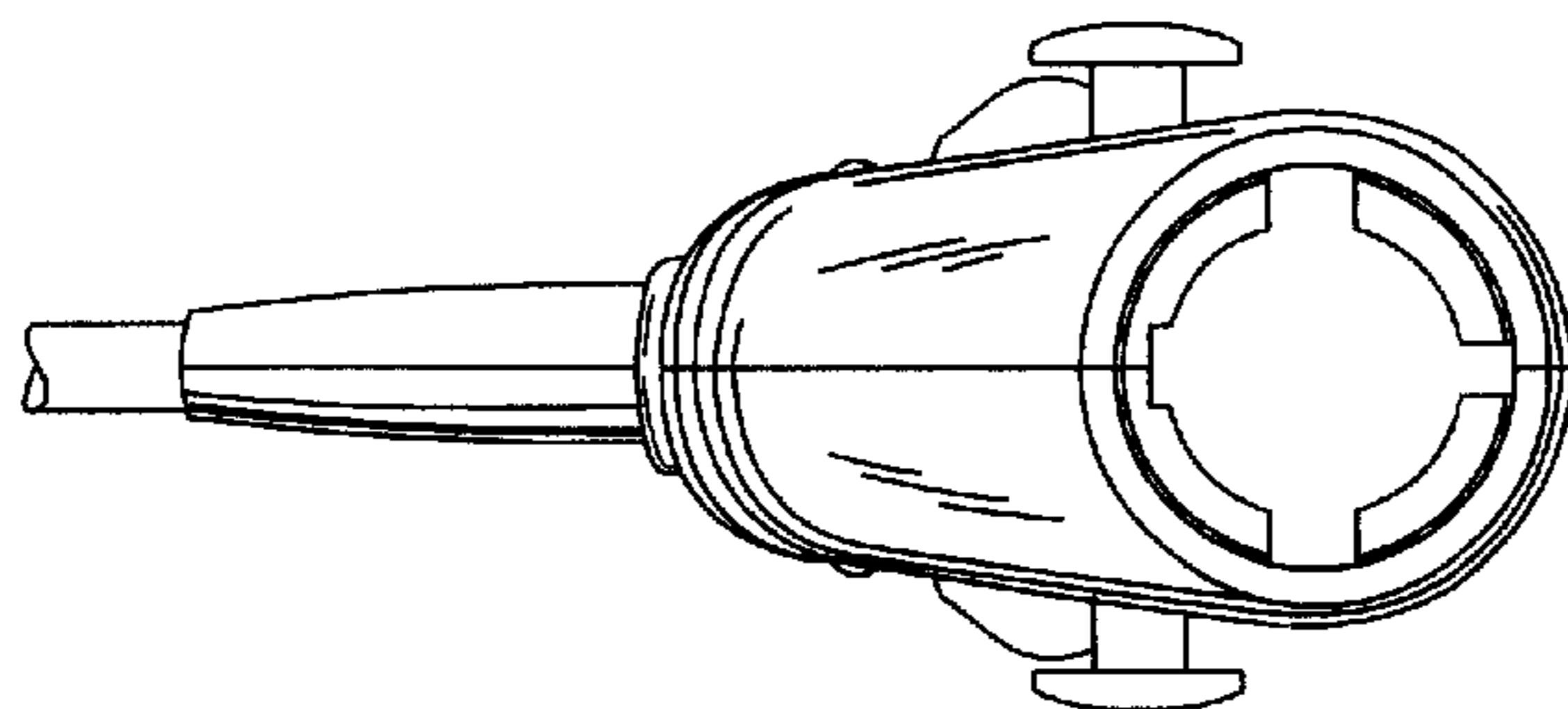


FIG. 3

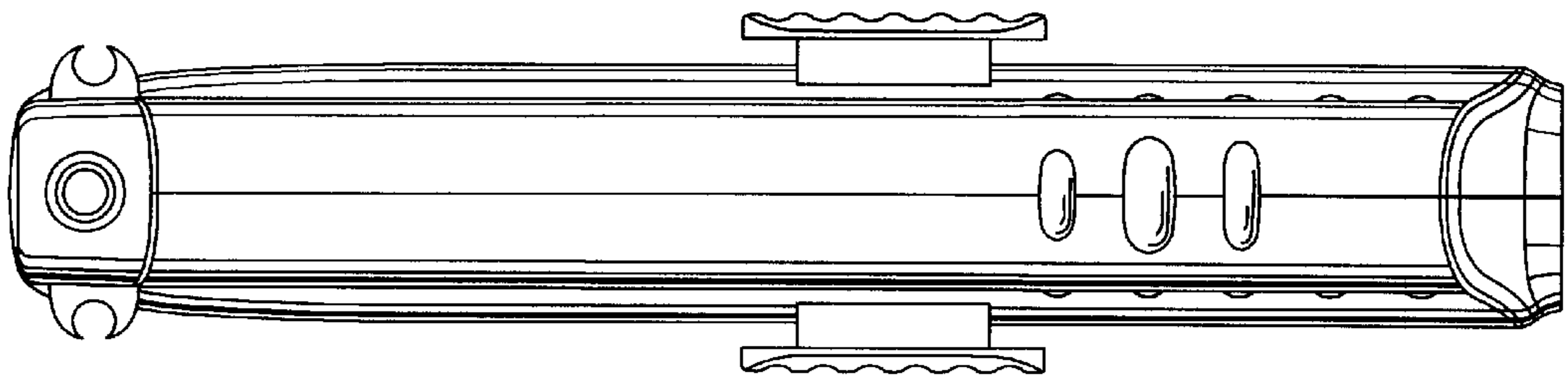


FIG. 4

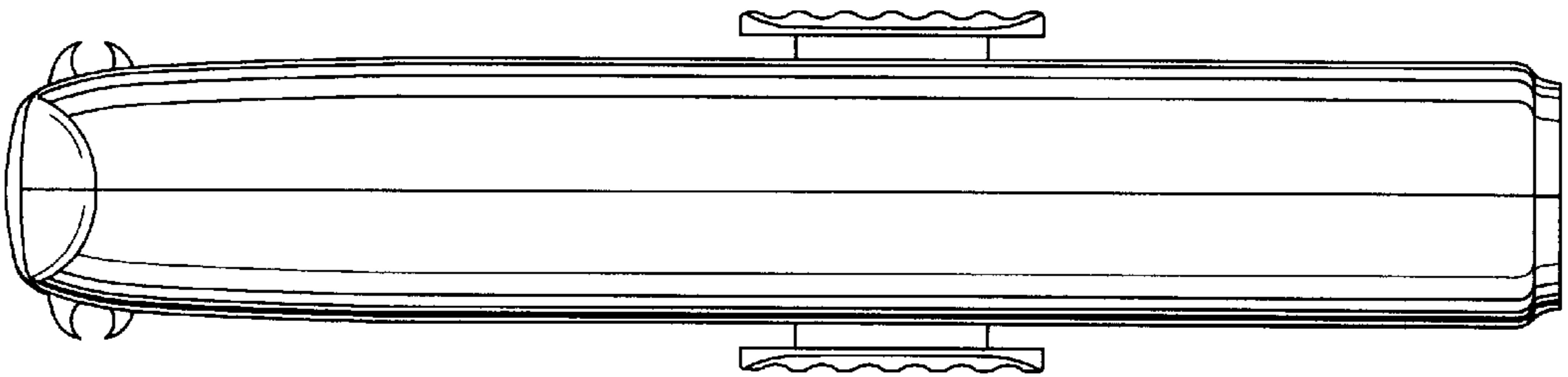


FIG. 5

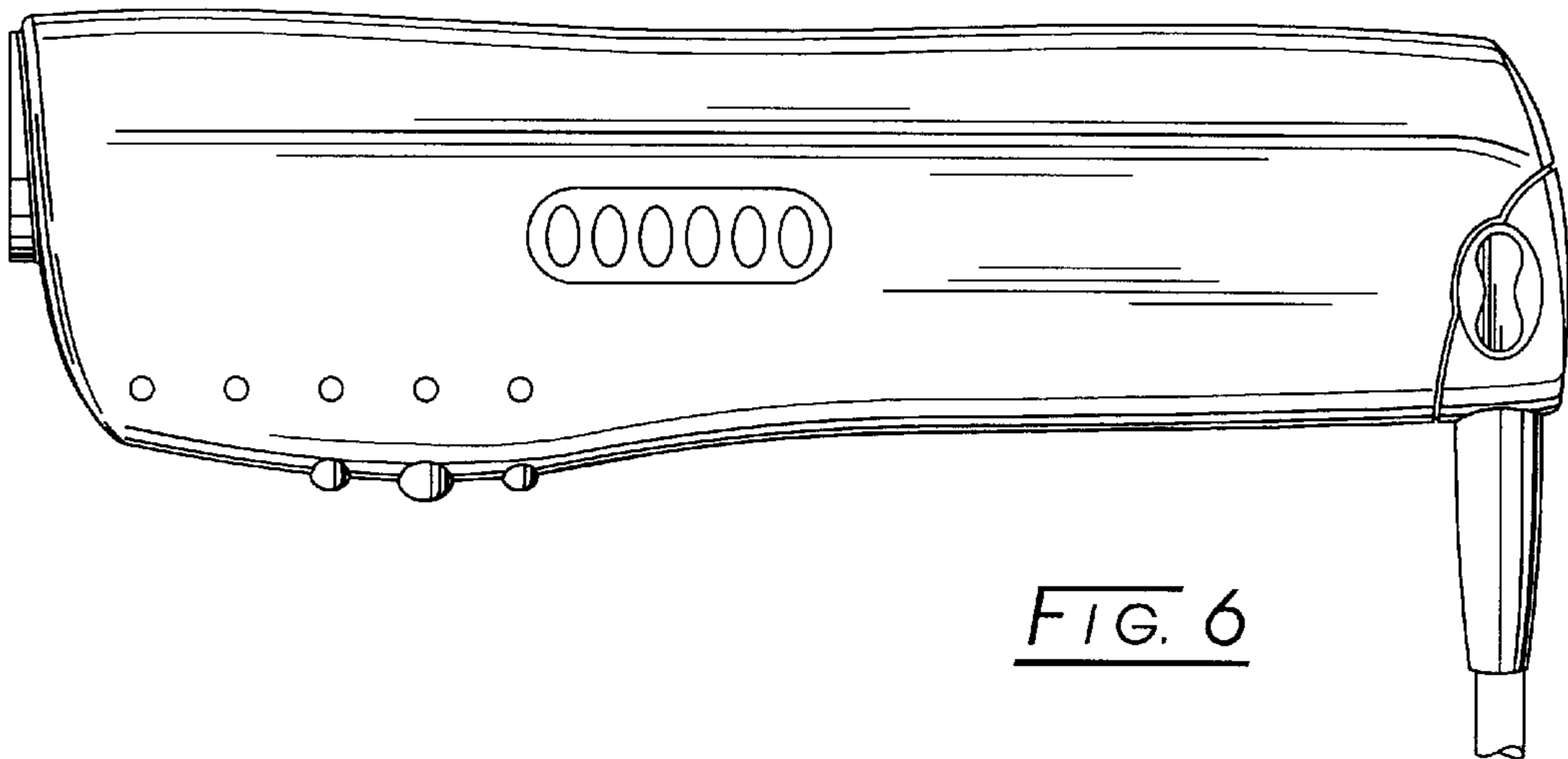


FIG. 6

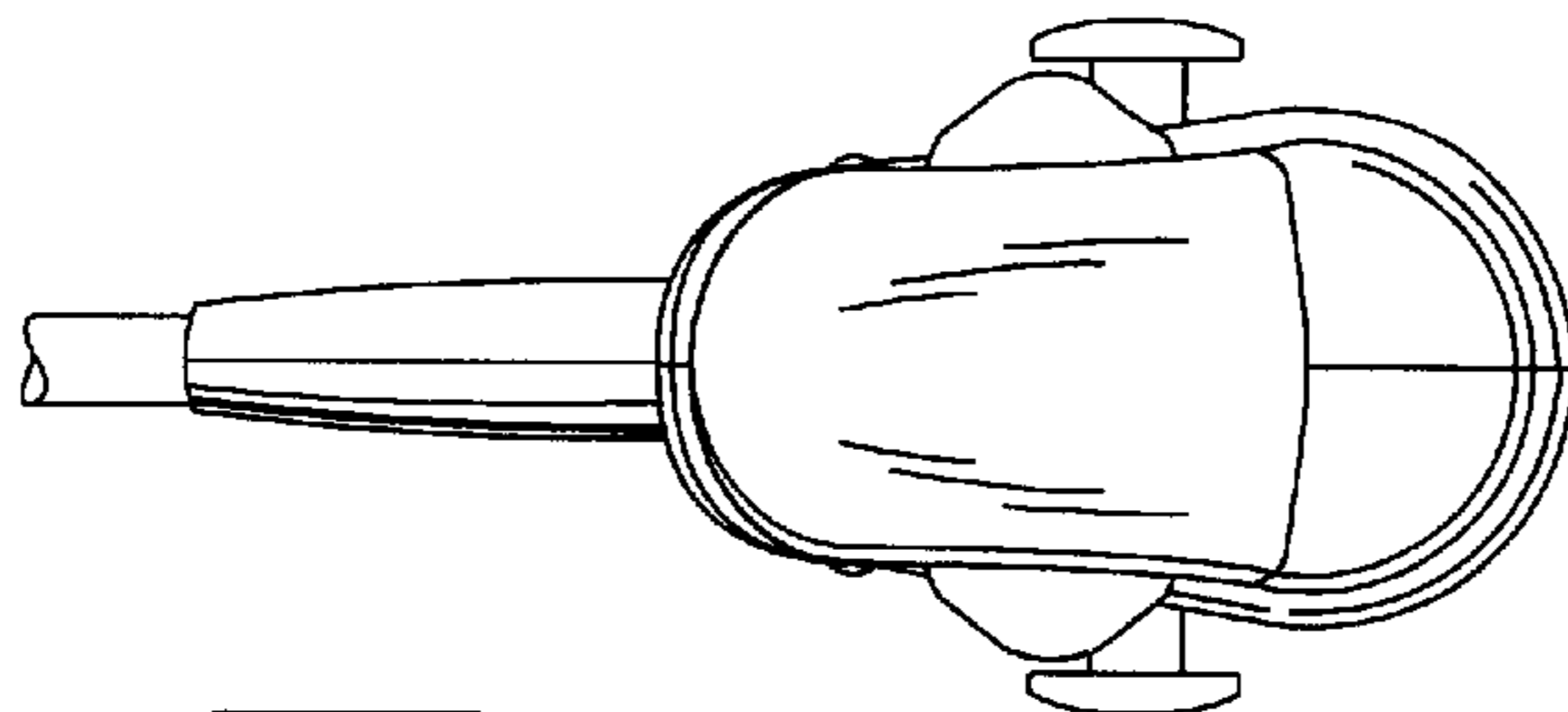


FIG. 7