



US00D457954S

(12) **United States Design Patent**  
**Wallace et al.**

(10) **Patent No.:** **US D457,954 S**

(45) **Date of Patent:** **\*\* May 28, 2002**

(54) **SYRINGE TIP CAP**

D447,797 S \* 9/2001 Odell et al. .... D24/112  
D447,799 S \* 9/2001 Jun ..... D24/130

(75) Inventors: **Alex S. Wallace**, Mahwah, NJ (US);  
**Frank Eugene Loomer**, Columbus, NE (US)

\* cited by examiner

*Primary Examiner*—Ian Simmons

(73) Assignee: **Becton, Dickinson and Company**,  
Franklin Lakes, NJ (US)

(74) *Attorney, Agent, or Firm*—James J. Murtha

(\*\*) Term: **14 Years**

(57) **CLAIM**

The ornamental design for a syringe tip cap, as shown and described.

(21) Appl. No.: **29/143,705**

**DESCRIPTION**

(22) Filed: **Jun. 19, 2001**

(51) **LOC (7) Cl.** ..... **24-02**

(52) **U.S. Cl.** ..... **D24/130**

(58) **Field of Search** ..... D24/130, 129,  
D24/112; 604/192, 263, 187, 198, 411,  
414, 240

FIG. 1 is a perspective viewed from the distal end, top and left side;

FIG. 2 is a top plan view having a bottom plan view being a mirror image;

FIG. 3 is a left side elevational view having a right side view being a mirror image;

FIG. 4 is a distal end view; and,

FIG. 5 is a proximal end view.

The broken line showing in FIGS. 1 through 5 are for illustrative purposes only and forms no part of the claimed design.

(56) **References Cited**

**U.S. PATENT DOCUMENTS**

D327,318 S \* 6/1992 Dudar et al. .... D24/112  
5,928,215 A \* 7/1999 Caizza et al. .... 604/411  
6,027,482 A \* 2/2000 Imbert ..... 604/240

**1 Claim, 3 Drawing Sheets**

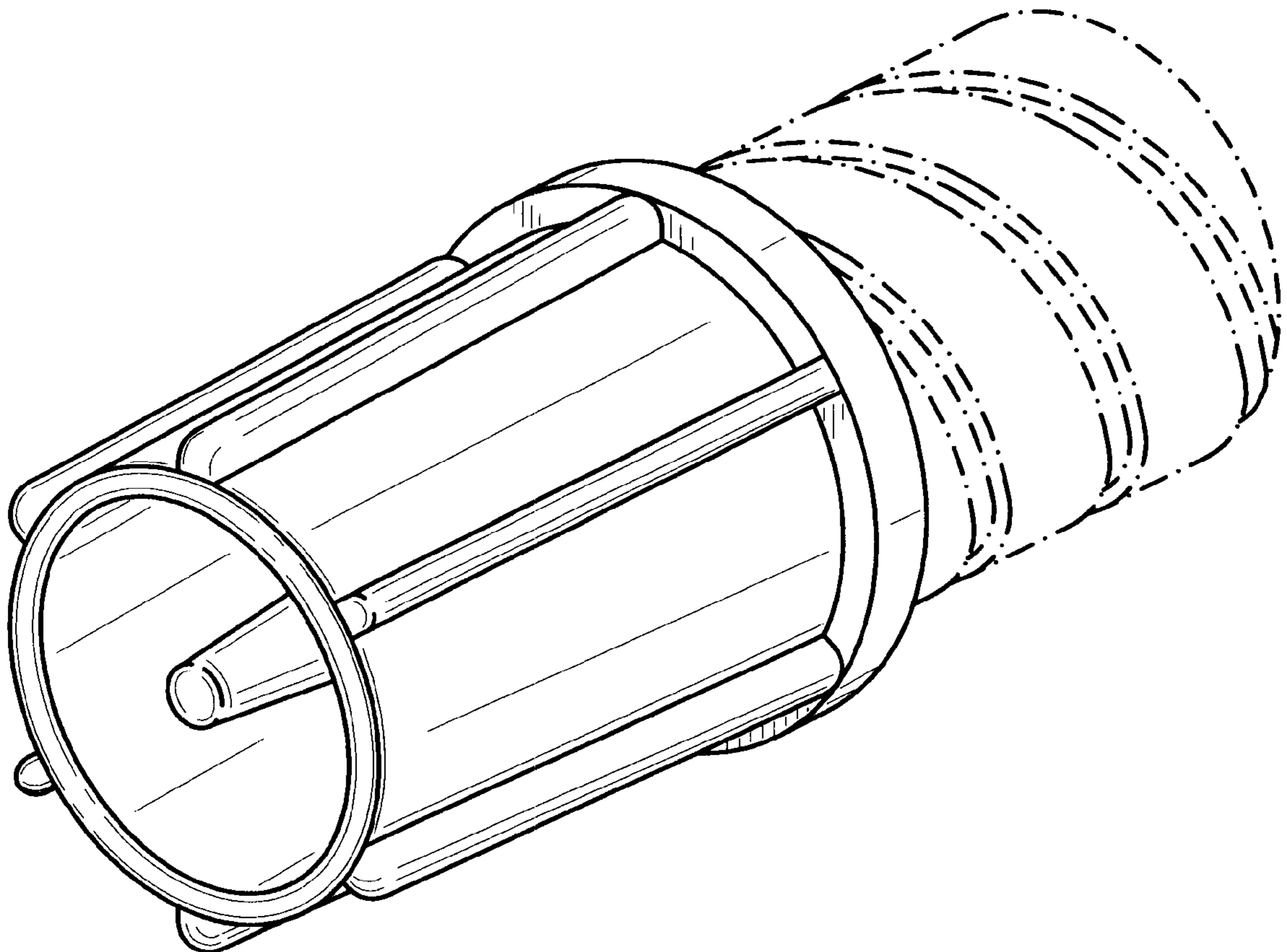


FIG. 1

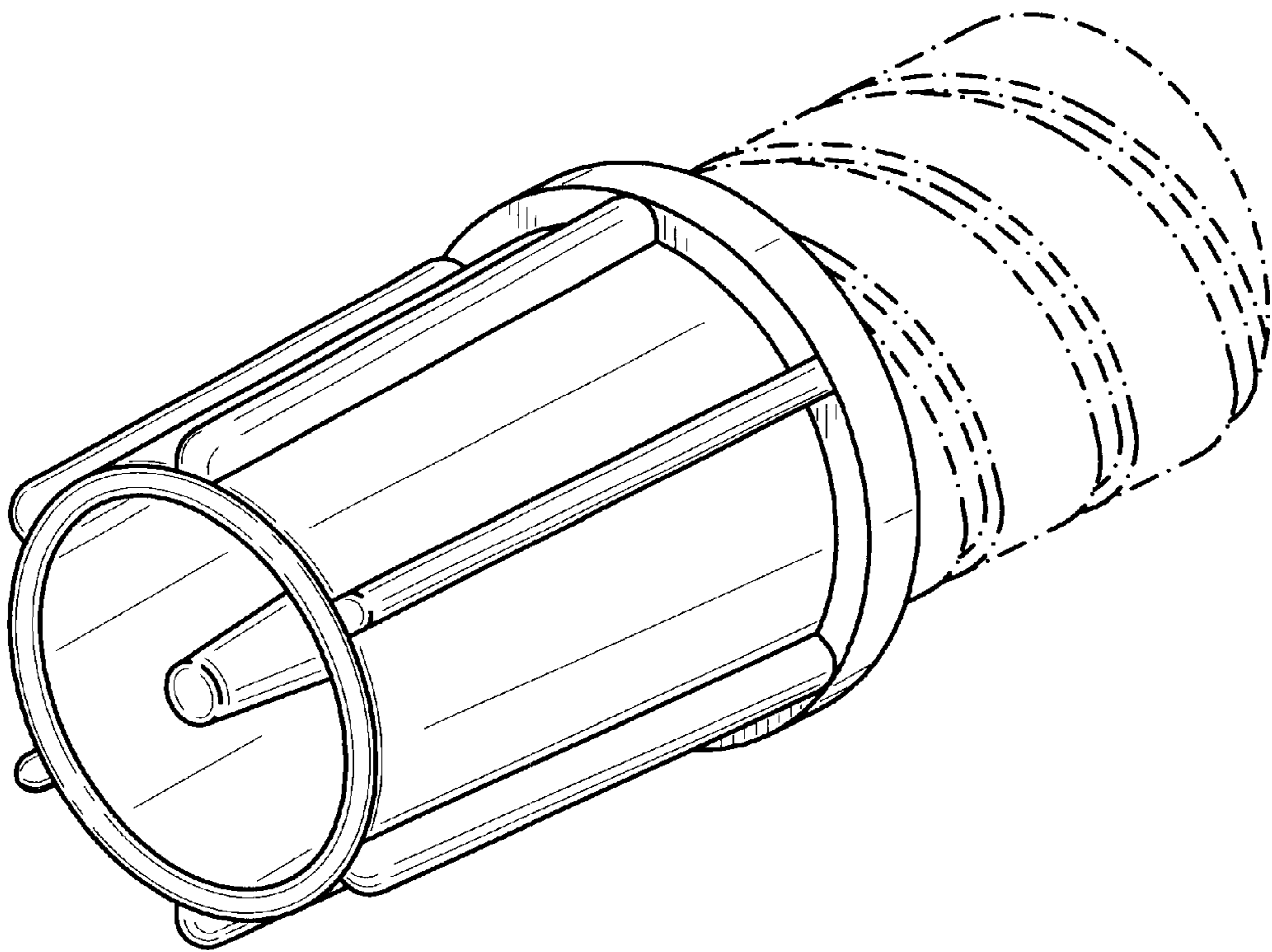


FIG. 2

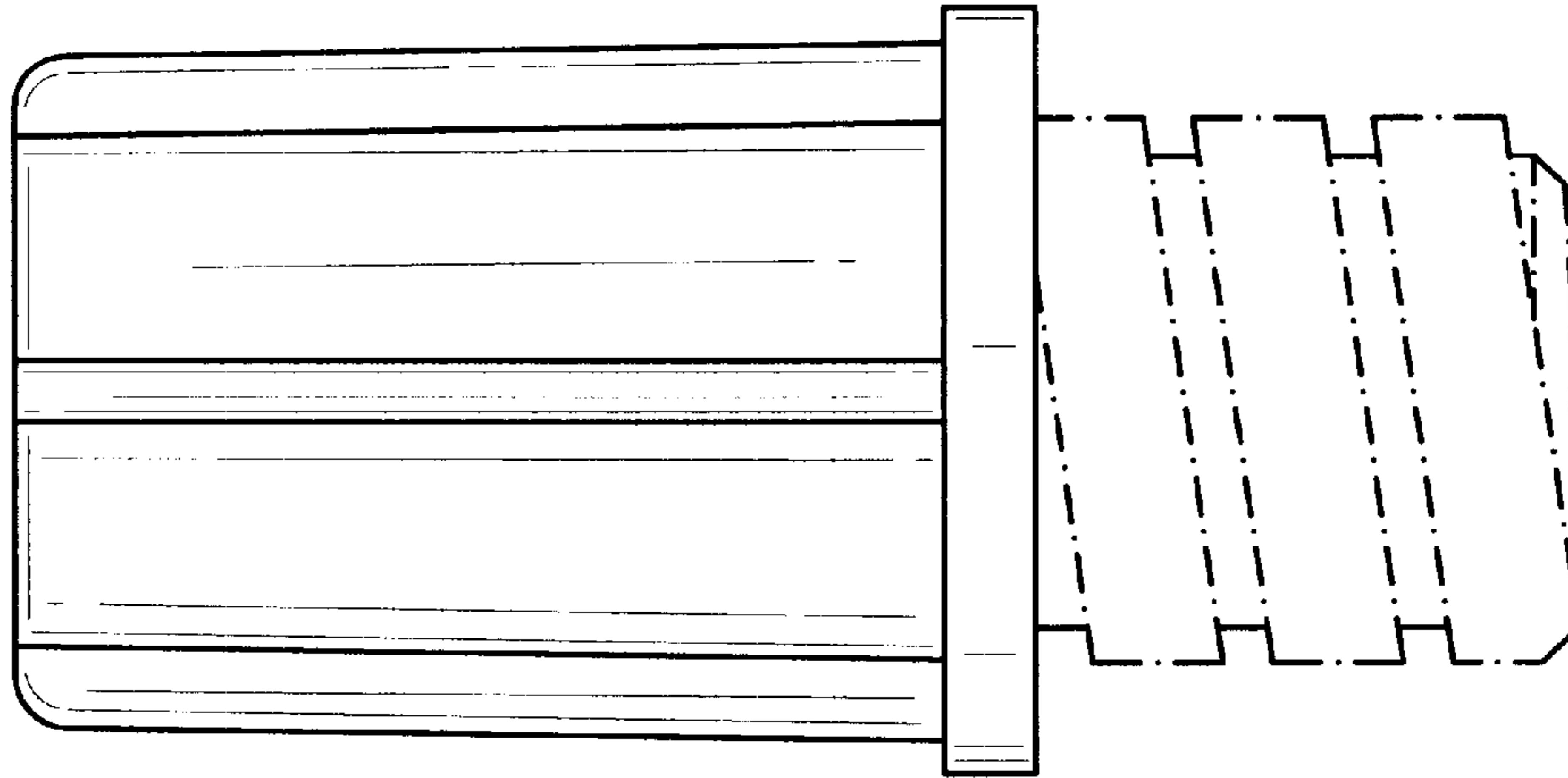


FIG. 3

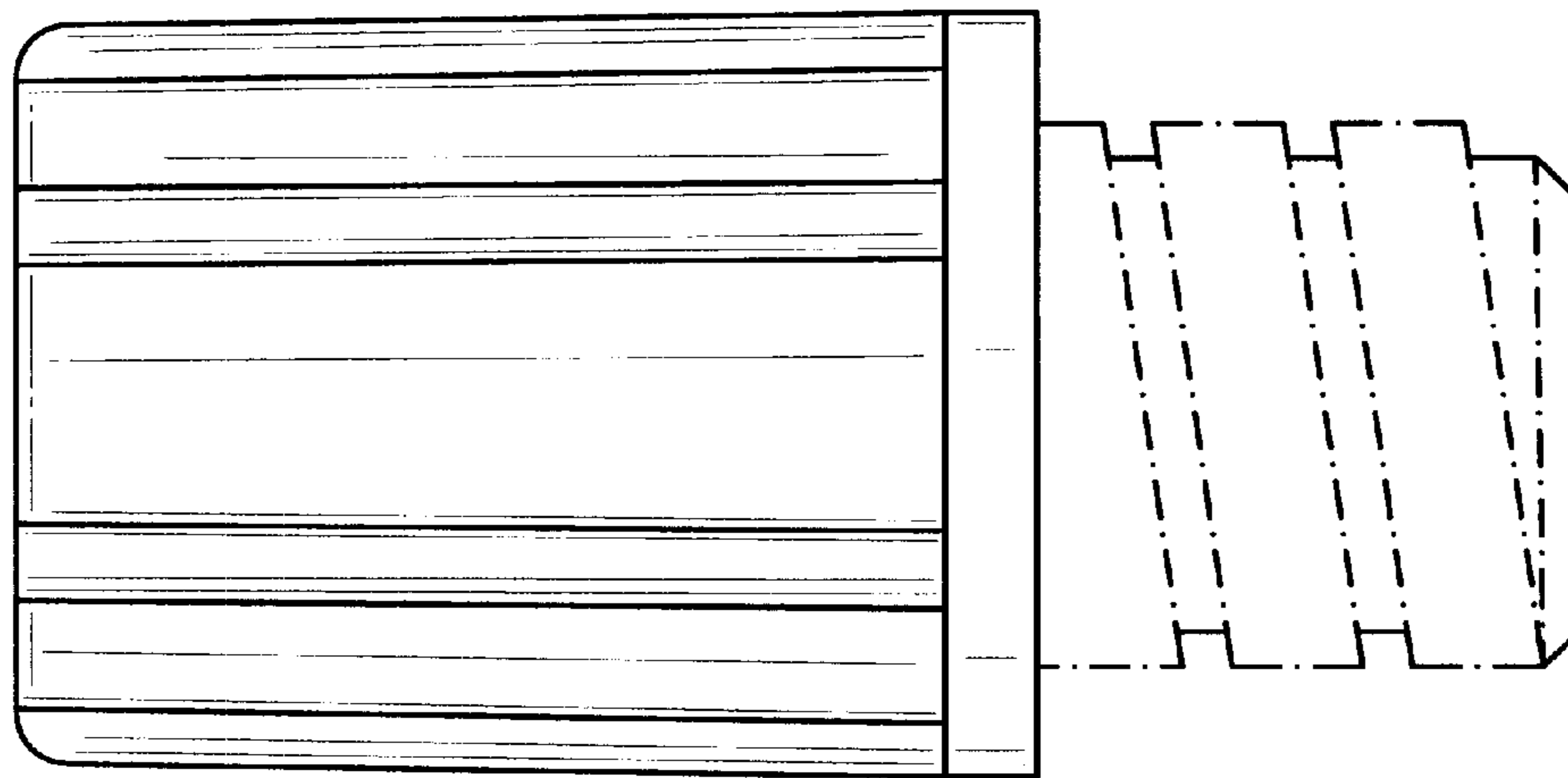


FIG. 4

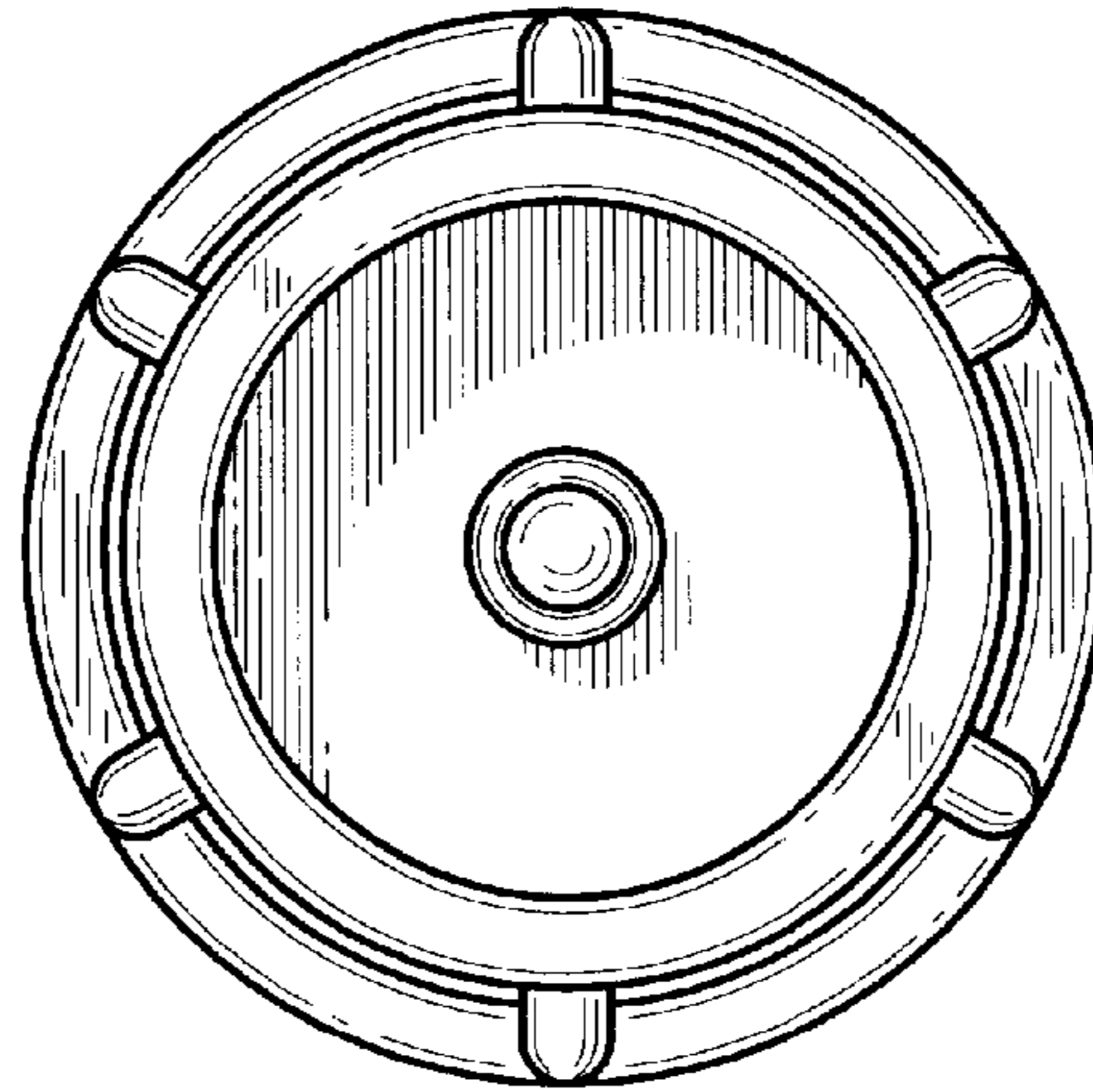


FIG. 5

