



US00D457953S

(12) **United States Design Patent**
Farris

(10) **Patent No.:** **US D457,953 S**

(45) **Date of Patent:** **** May 28, 2002**

(54) **INTEGRATED SPIKE AND SYRINGE**

6,221,056 B1 * 4/2001 Silverman 604/167.02

(76) Inventor: **Barry Farris**, P.O. Box 1817, Zephyr Cove, NV (US) 89948

* cited by examiner

(**) Term: **14 Years**

Primary Examiner—Ian Simmons

(74) *Attorney, Agent, or Firm*—Bernhard Kreten

(21) Appl. No.: **29/134,824**

(57) **CLAIM**

(22) Filed: **Dec. 29, 2000**

The ornamental design for an integrated spike and syringe, as shown and described.

(51) **LOC (7) Cl.** **24-02**

DESCRIPTION

(52) **U.S. Cl.** **D24/130; D24/112**

(58) **Field of Search** D24/112, 130, D24/222, 114, 113, 108; 604/411, 412, 264, 263, 905, 170, 239, 240, 272, 167.02, 283

FIG. 1 is a perspective view of an integrated spike and syringe showing my new design.

FIG. 2 is a side view thereof, the opposite side being a mirror image.

FIG. 3 is a top view thereof, the bottom being a mirror image.

FIG. 4 is a front view thereof; and,

FIG. 5 is an enlarged view of the FIG. 4 tip.

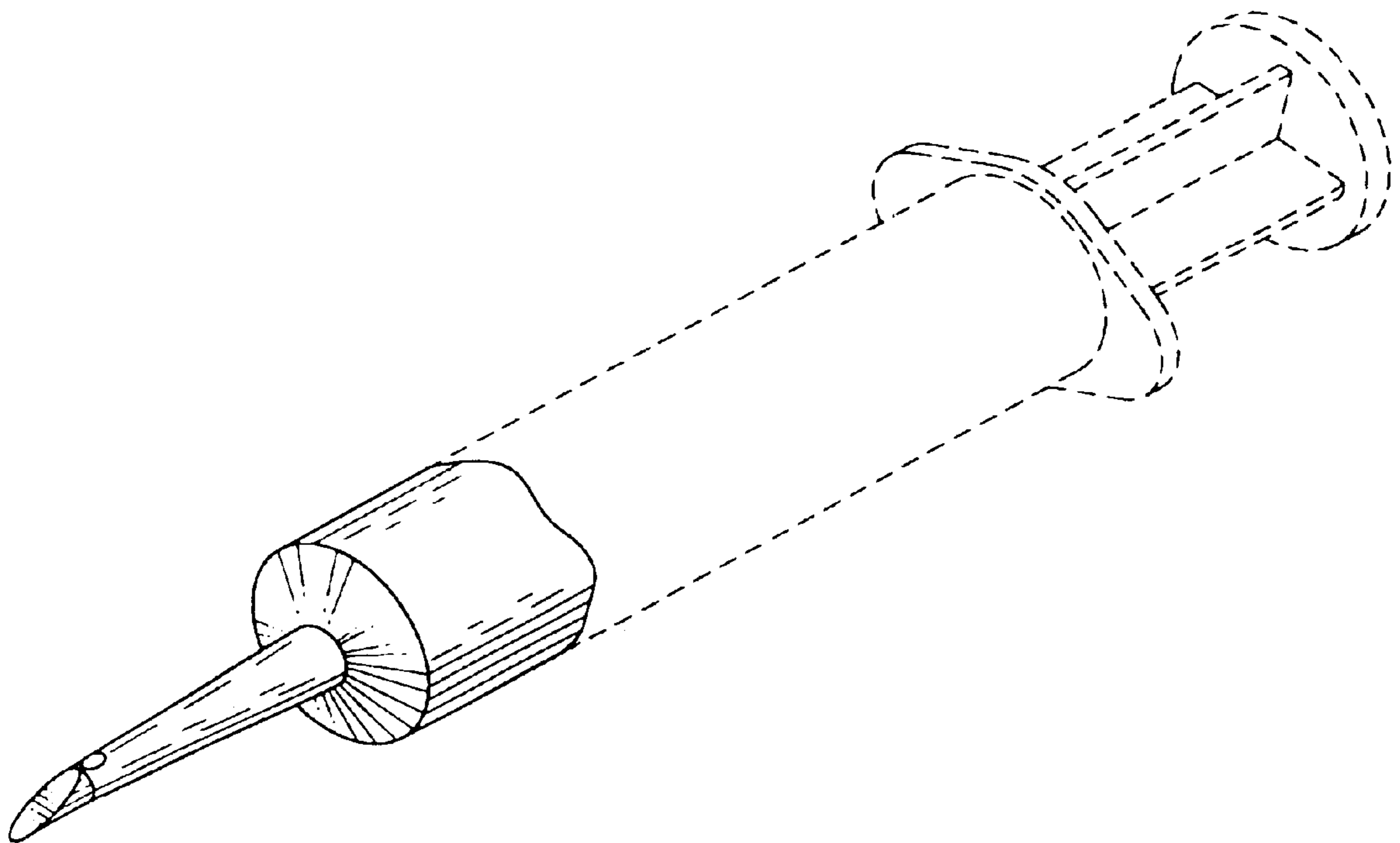
The broken-line showing of environmental structure in FIGS. 1 through 4 is for illustrative purposes only and forms no part of the claimed design.

(56) **References Cited**

U.S. PATENT DOCUMENTS

2,746,455	A	*	5/1956	Abel	604/411
2,771,074	A	*	11/1956	Landsperger et al.	604/411
D208,838	S	*	10/1967	St. Amand	D24/112
4,838,877	A	*	6/1989	Massau	604/272
5,527,306	A	*	6/1996	Haining	604/411
5,976,115	A	*	11/1999	Parris et al.	604/283

1 Claim, 1 Drawing Sheet



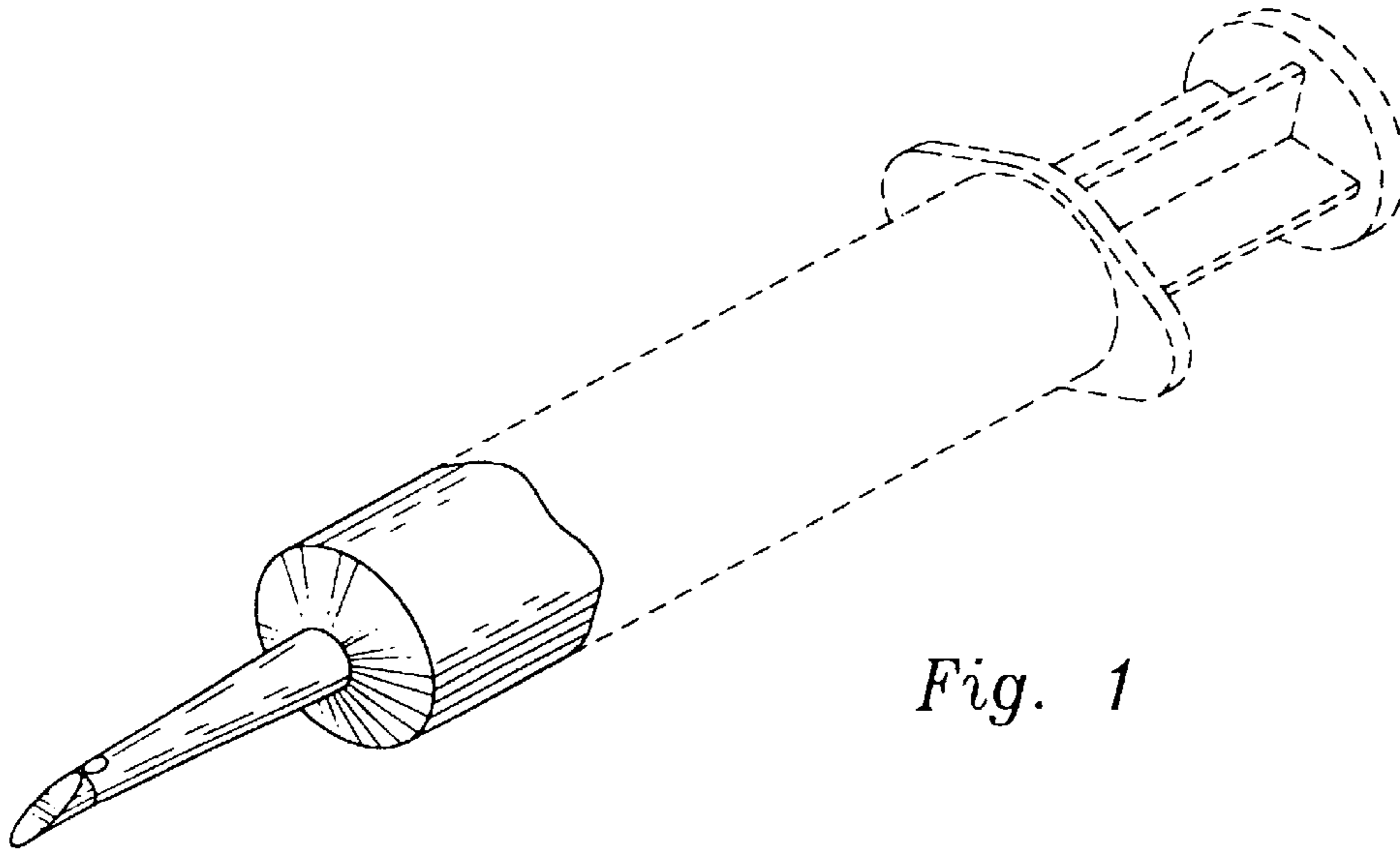


Fig. 1



Fig. 2

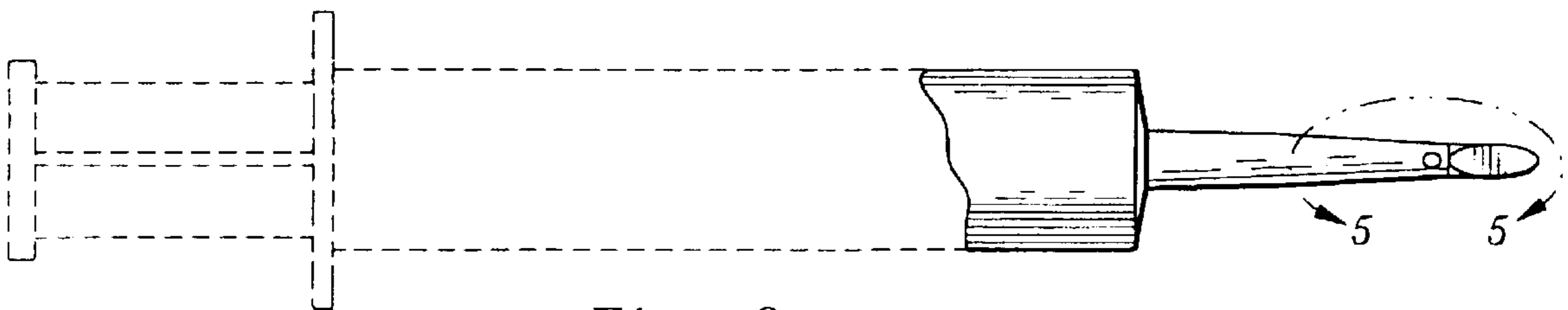


Fig. 3

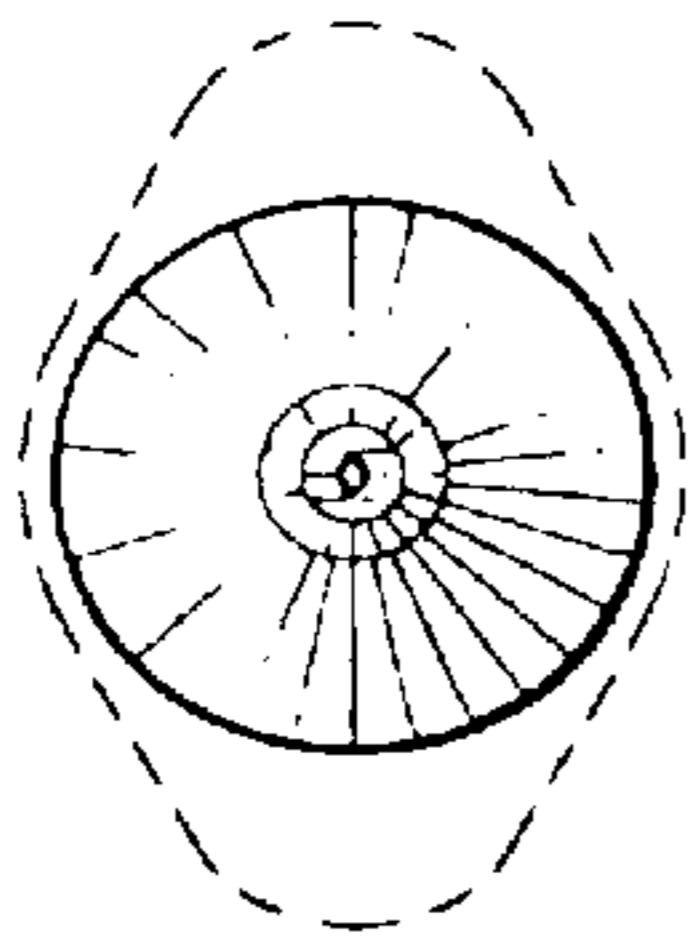


Fig. 4

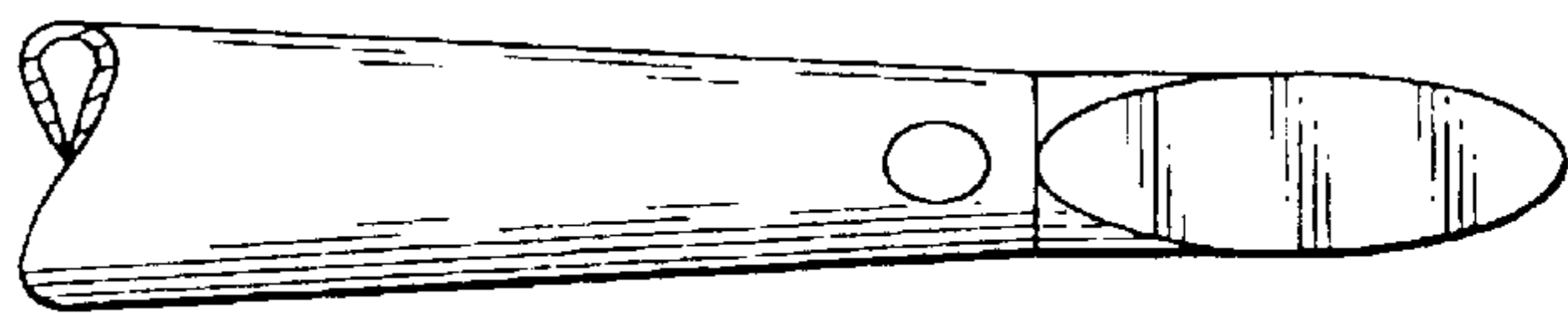


Fig. 5