



US00D457945S

(12) **United States Design Patent**
Pinchuk

(10) **Patent No.:** **US D457,945 S**

(45) **Date of Patent:** **** *May 28, 2002**

(54) **PERSONAL COOLER**

(75) Inventor: **Rene C. Pinchuk**, Kensington, CA (US)

(73) Assignee: **Sharper Image Corporation**, San Francisco, CA (US)

(*) Notice: This patent is subject to a terminal disclaimer.

(**) Term: **14 Years**

(21) Appl. No.: **29/102,867**

(22) Filed: **Apr. 2, 1999**

(51) **LOC (7) Cl.** **23-04**

(52) **U.S. Cl.** **D23/351; D24/206**

(58) **Field of Search** D23/314, 333, D23/351, 332; D24/206, 207; 607/109, 112; 62/259.3, 314

(56) **References Cited**

U.S. PATENT DOCUMENTS

- 1,616,961 A * 2/1927 Carter
- 1,964,655 A * 6/1934 Williamson

- 2,250,840 A * 7/1941 Pomeranz
- 4,204,543 A * 5/1980 Henderson
- D328,792 S * 8/1992 Salmon et al. D24/207
- 5,802,865 A * 9/1998 Strauss 62/259.3

* cited by examiner

Primary Examiner—B. J. Bullock

(74) *Attorney, Agent, or Firm*—Fliesler Dubb Meyer & Lovejoy LLP

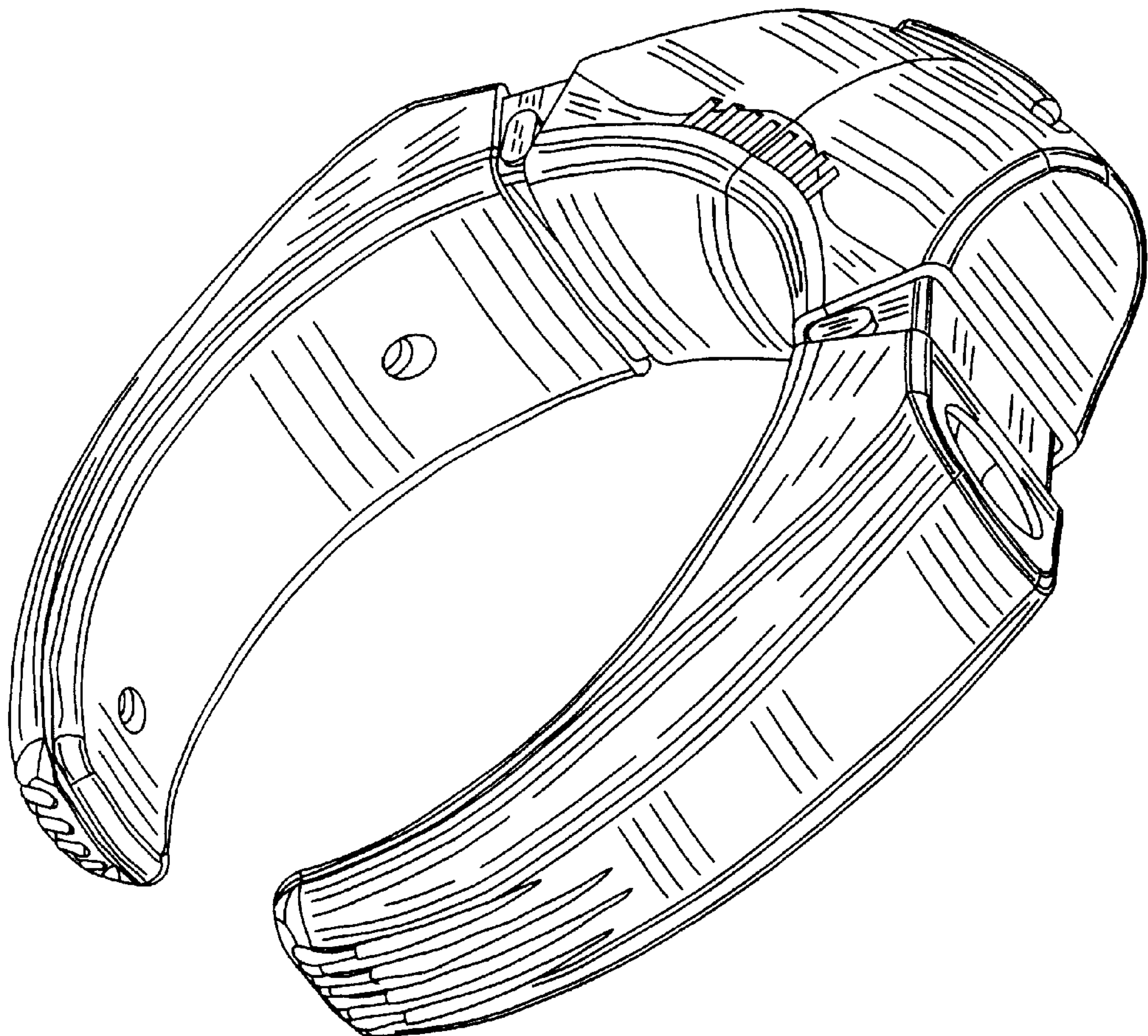
(57) **CLAIM**

The ornamental design for a personal cooler, as shown.

DESCRIPTION

FIG. 1 is a side and top perspective view from the front of a personal cooler showing my new design;
 FIG. 2 is a bottom perspective view thereof;
 FIG. 3 is a front elevation view thereof;
 FIG. 4 is a rear elevation view thereof;
 FIG. 5 is a side elevation view thereof;
 FIG. 6 is a side elevation view of the other side thereof;
 FIG. 7 is a top plan view thereof;
 FIG. 8 is a bottom plan view thereof; and,
 FIG. 9 is a side and top perspective view from the rear thereof.

1 Claim, 9 Drawing Sheets



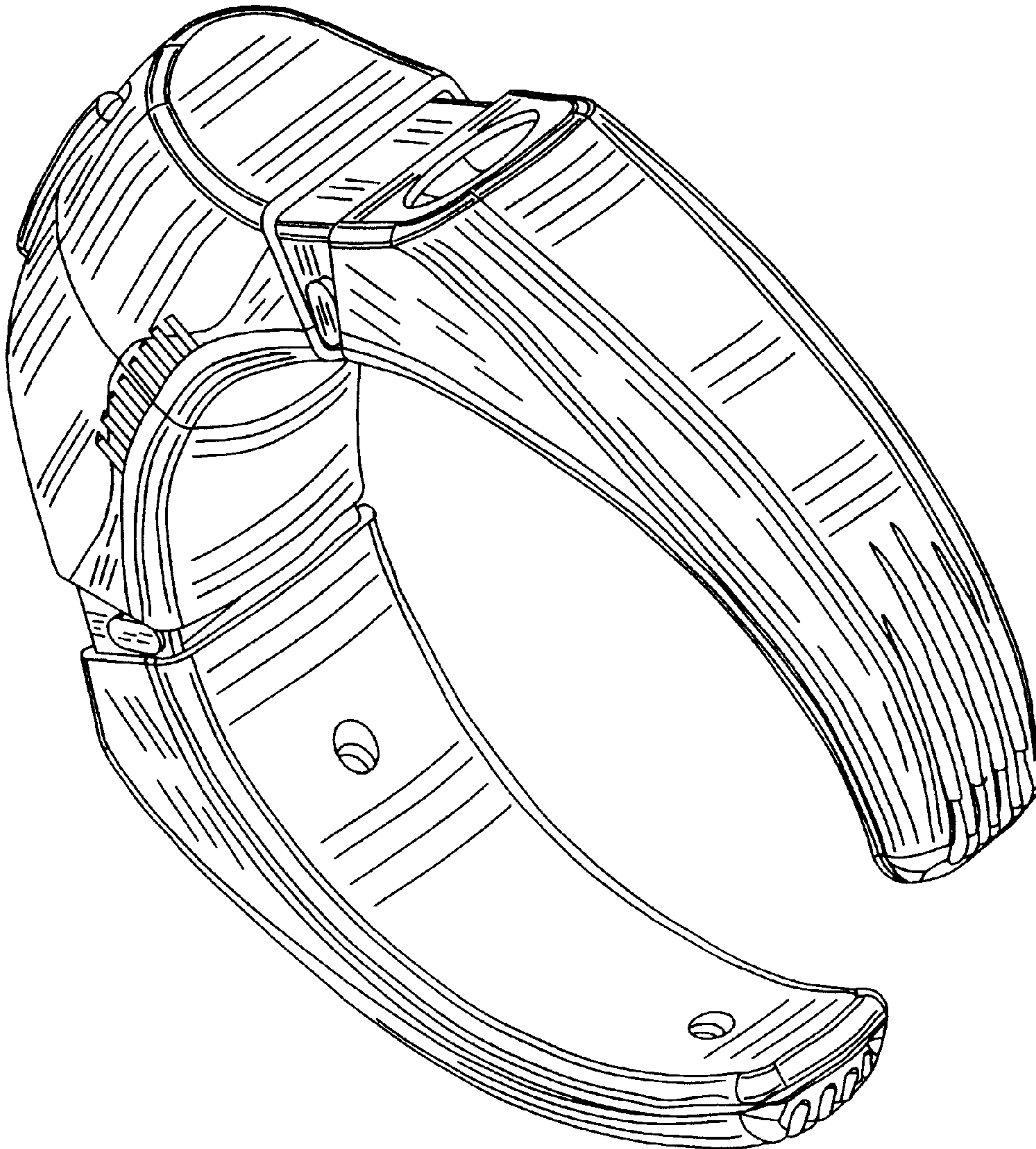


FIG. - 1

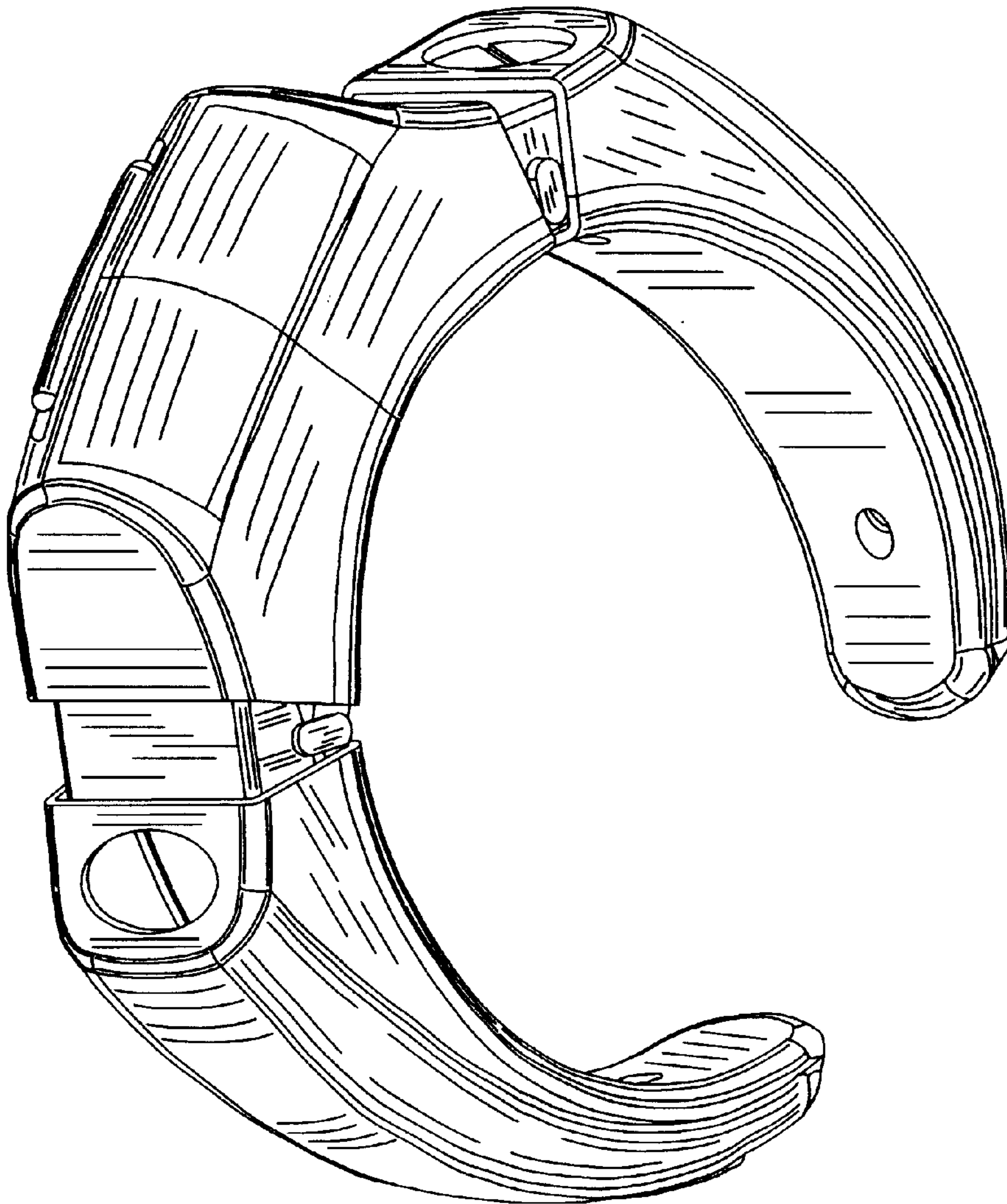


FIG. - 2

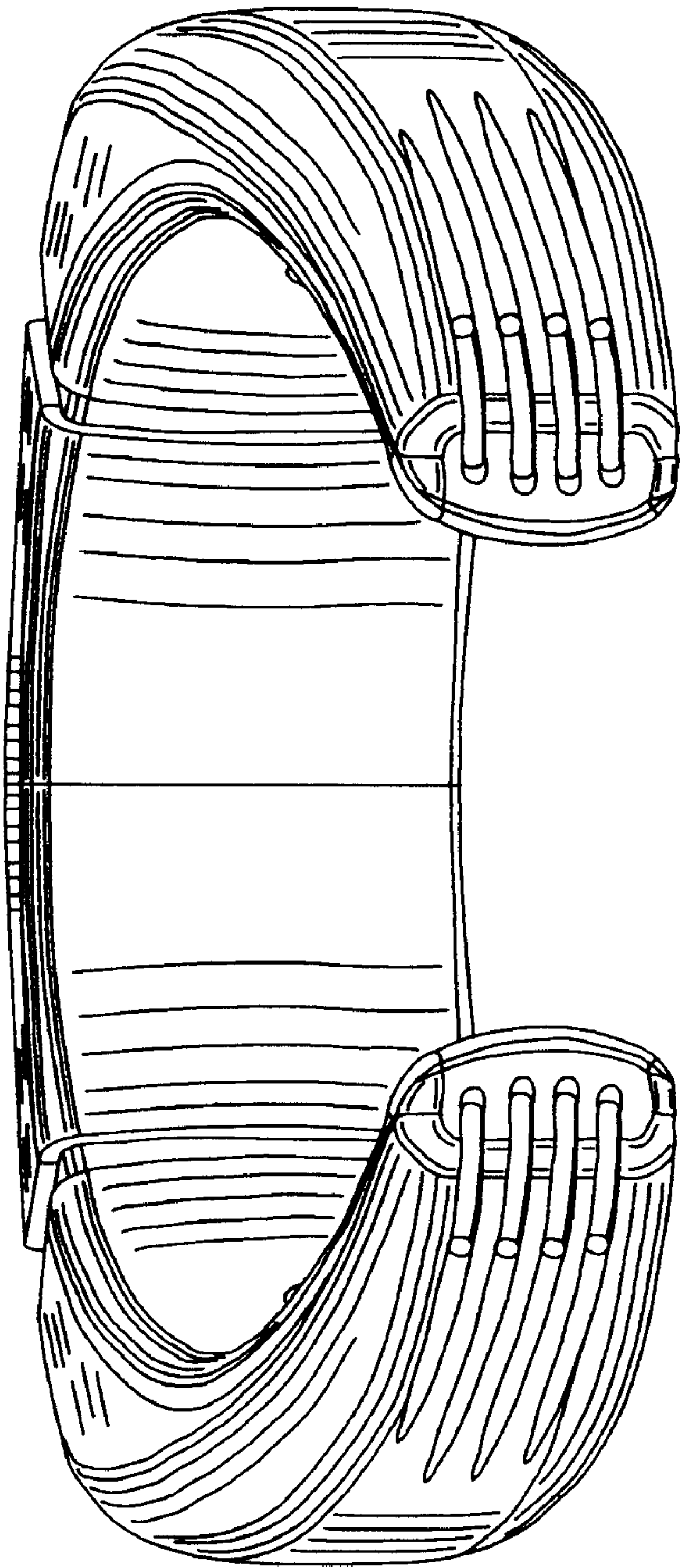


FIG. - 3

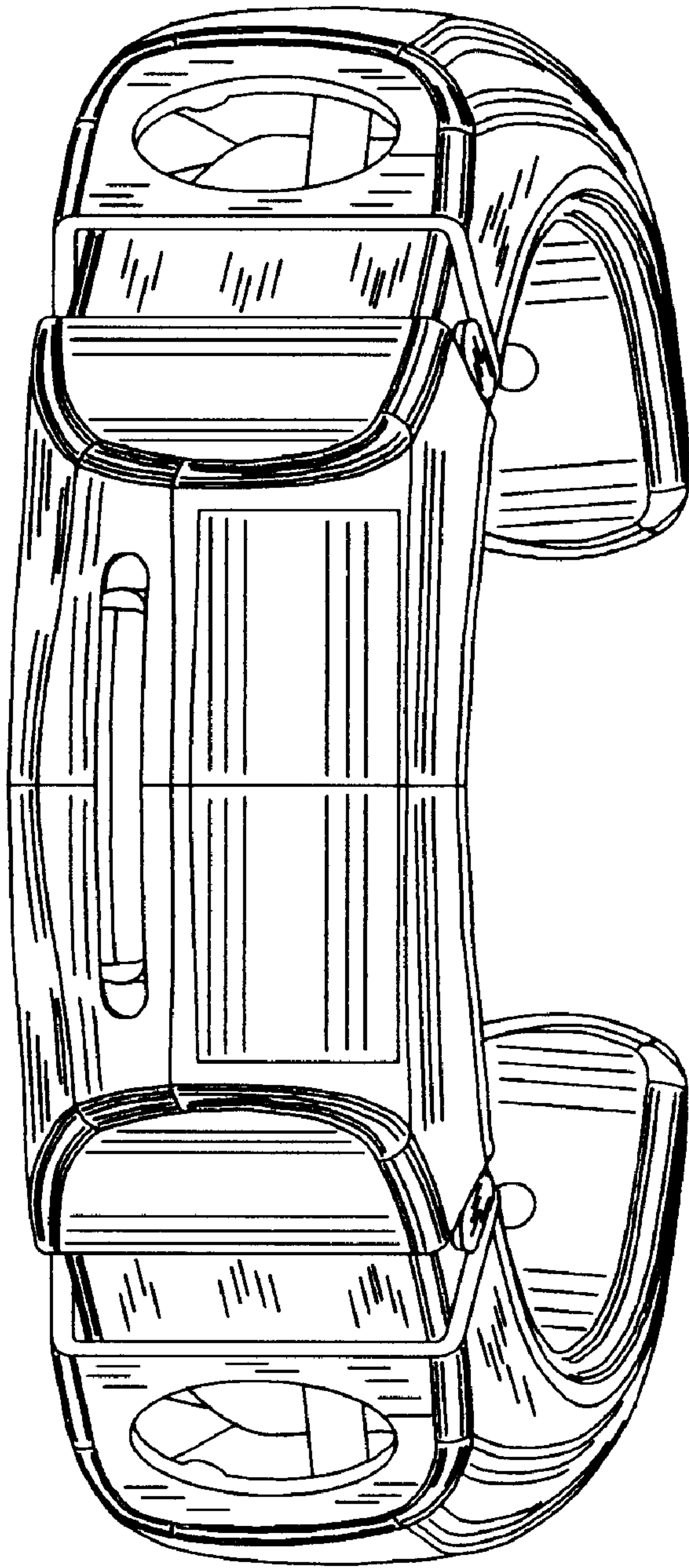


FIG. - 4

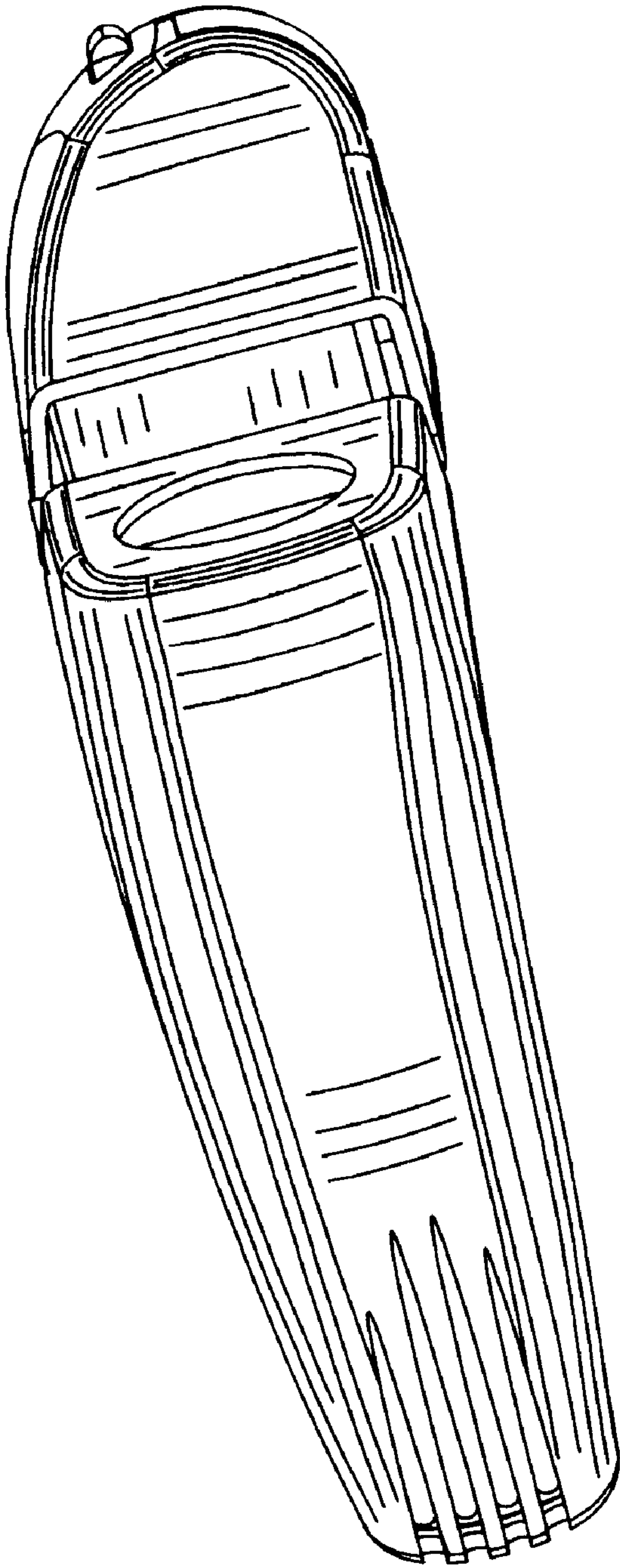


FIG. - 5

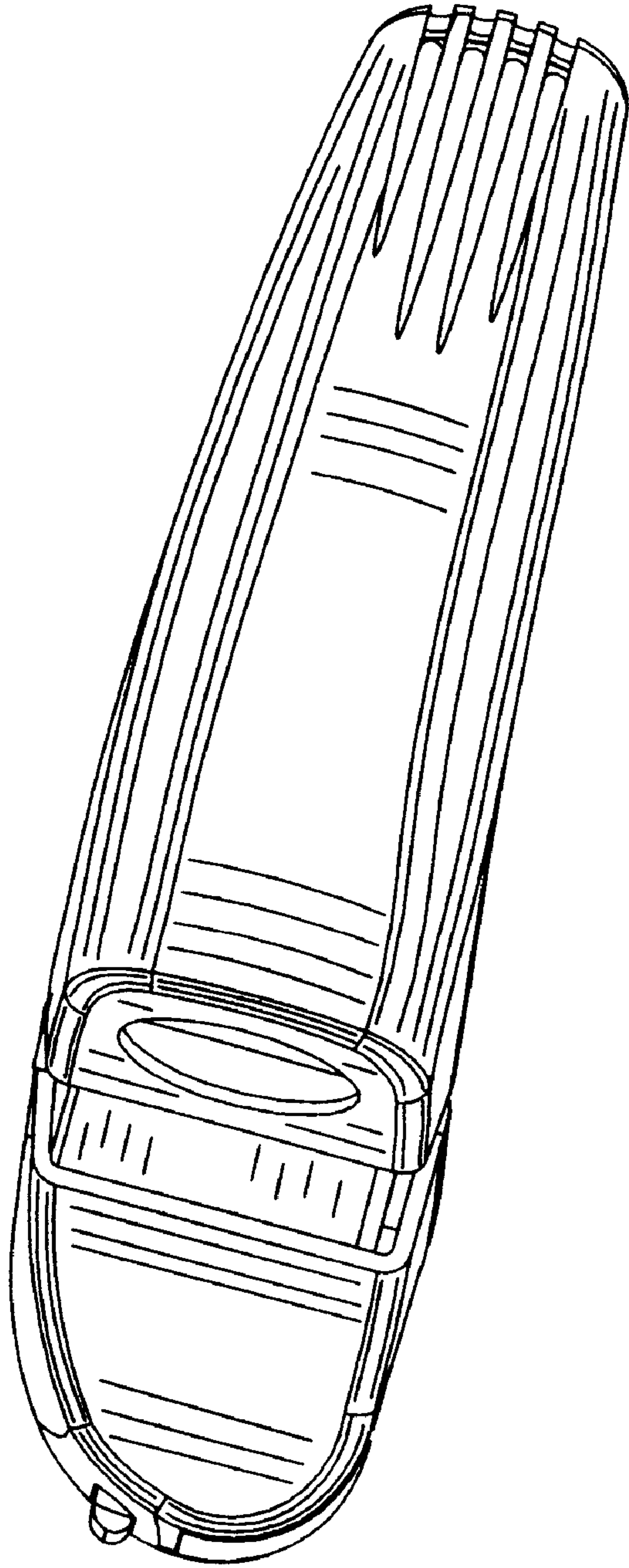


FIG. - 6

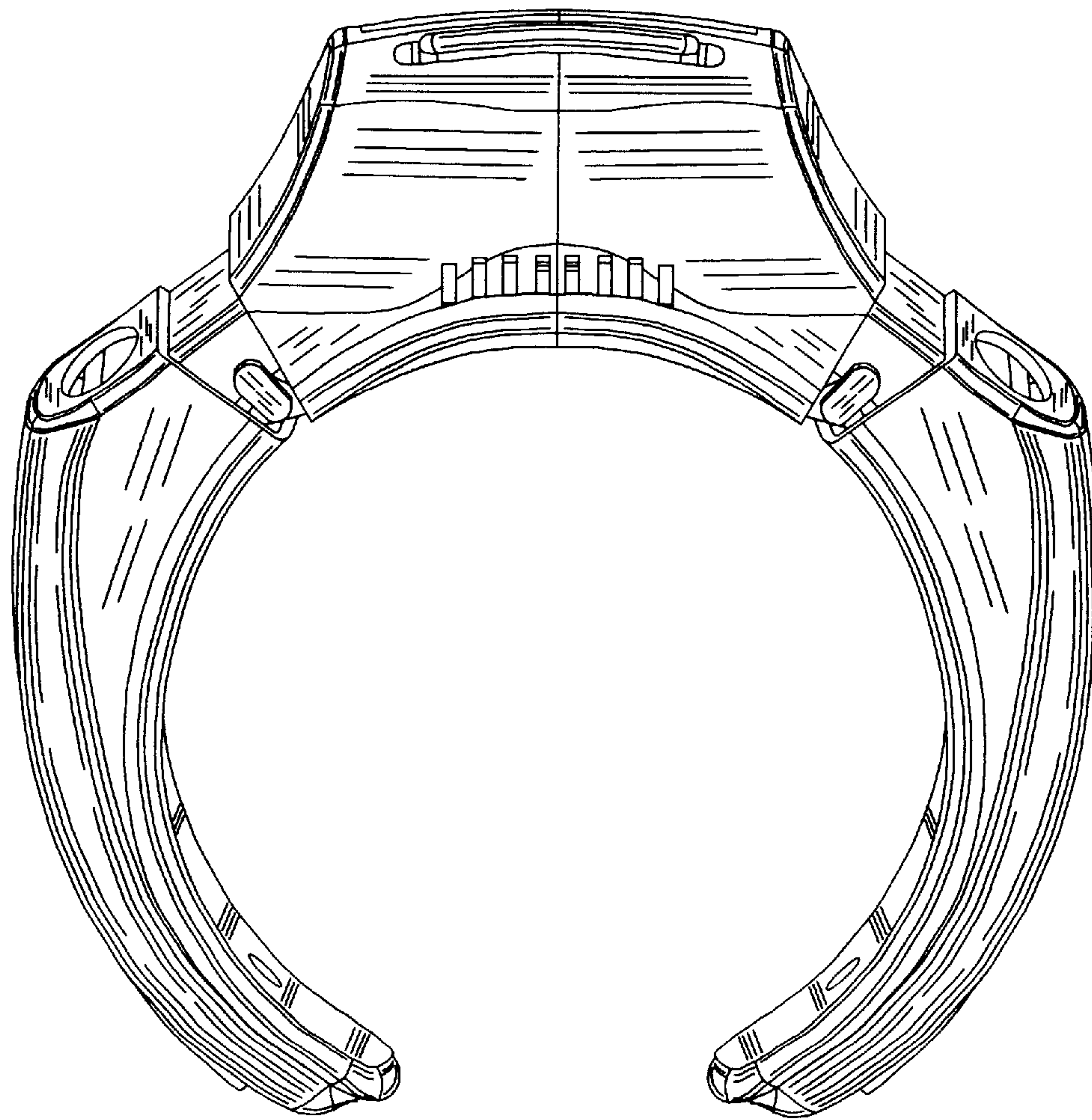


FIG. - 7

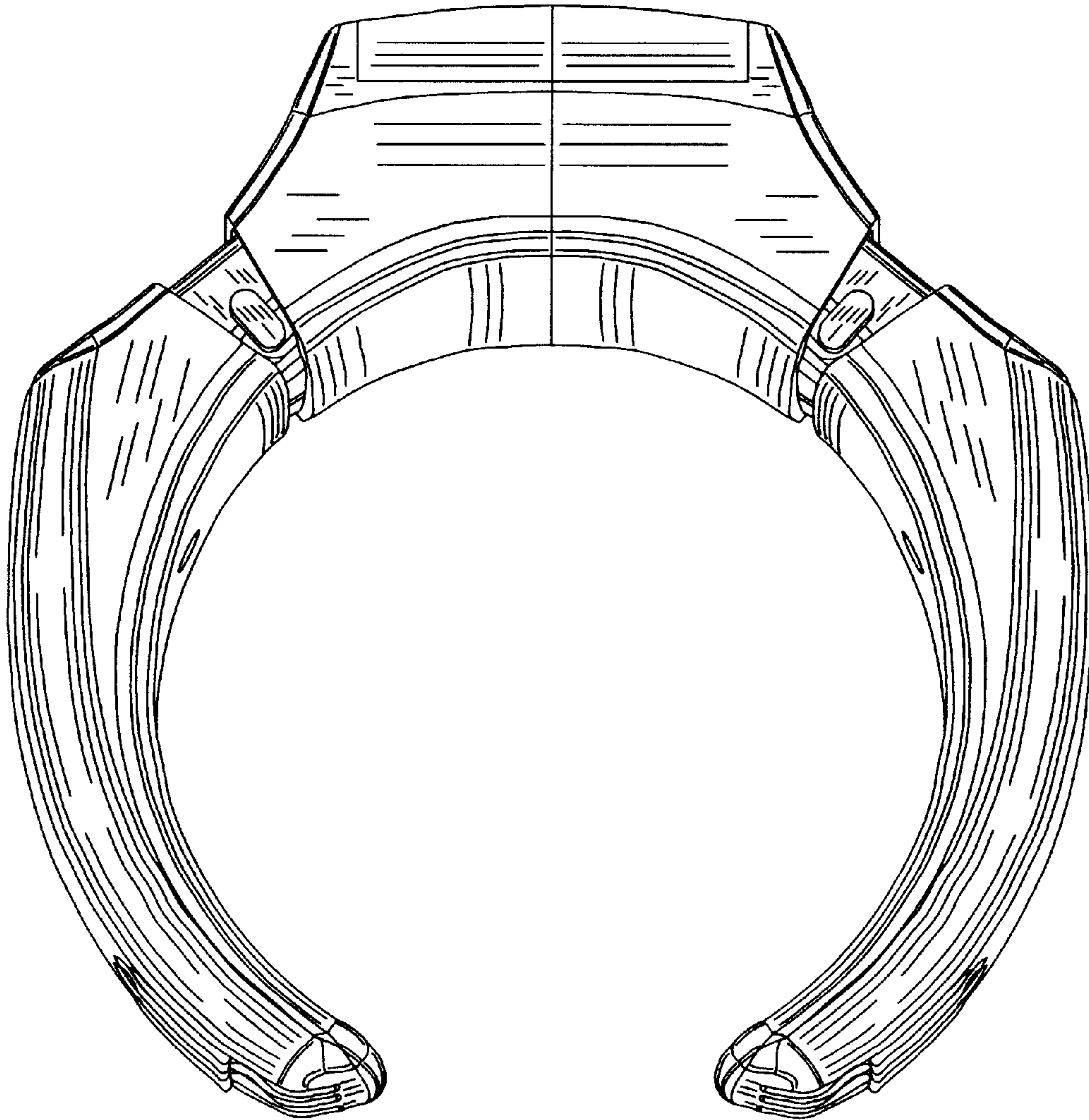


FIG. - 8

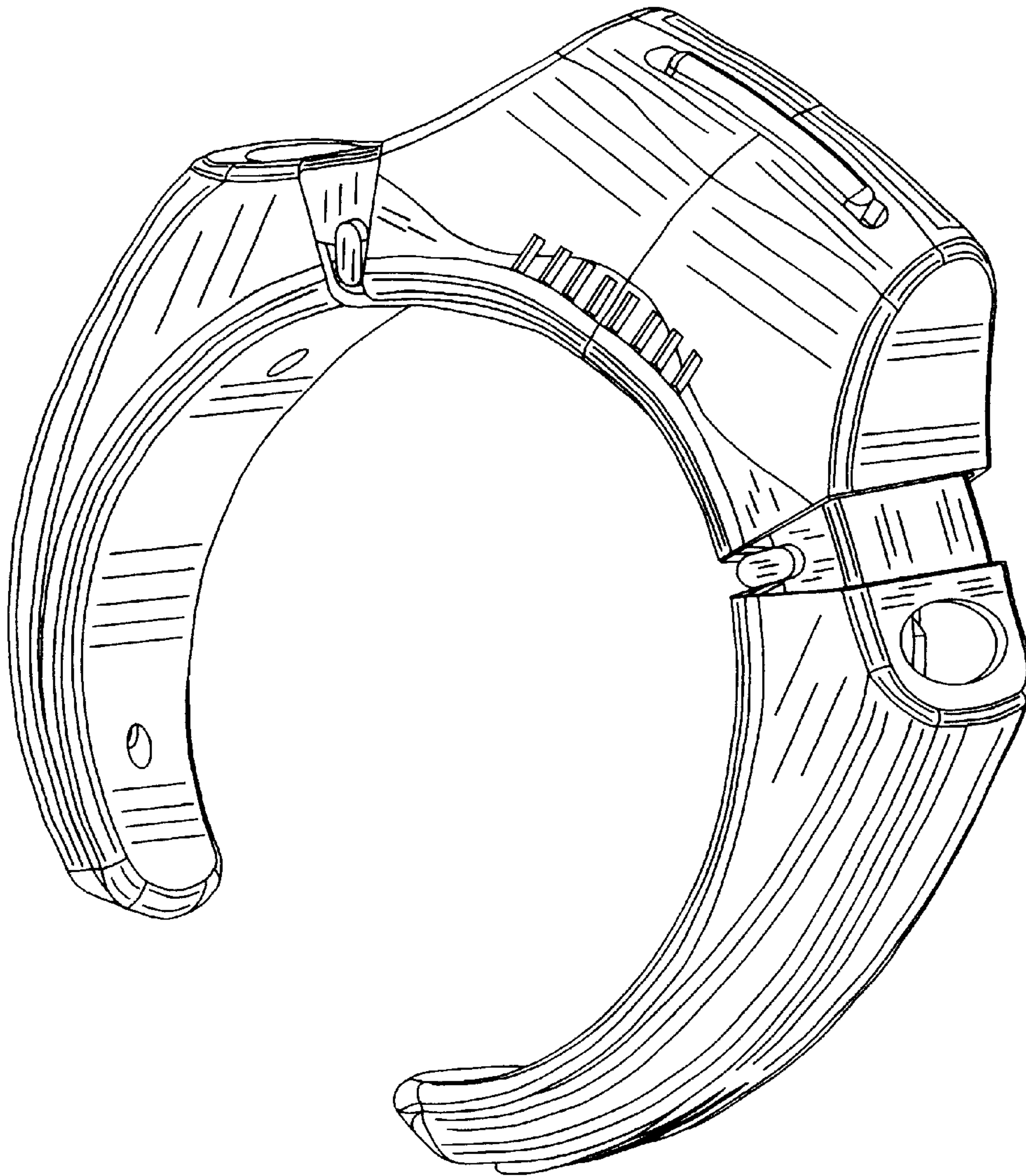


FIG. - 9