



US00D457944S

(12) **United States Design Patent**
Roberts

(10) **Patent No.:** **US D457,944 S**

(45) **Date of Patent:** **** May 28, 2002**

(54) **RIM FOR A SINK**

Primary Examiner—Louis S. Zarfaz
Assistant Examiner—Robert A. Delehanty

(76) Inventor: **Samuel K. Roberts**, 20 Morgan Ct.,
Lincoln, RI (US) 02865

(**) Term: **14 Years**

(57) **CLAIM**

The ornamental design for a rim for a sink, as shown and described.

(21) Appl. No.: **29/134,784**

(22) Filed: **Dec. 29, 2000**

DESCRIPTION

(51) **LOC (7) Cl.** **23-02**

(52) **U.S. Cl.** **D23/308**

(58) **Field of Search** D23/284-292,
D23/293.1, 303, 308; 4/619-620, 624-625,
631-652, 660, 661

FIG. 1 is a top perspective view of the rim for a sink;

FIG. 2 is a top plan view thereof;

FIG. 3 is a cross sectional view taken along line 3—3 of FIG. 2; and,

(56) **References Cited**

U.S. PATENT DOCUMENTS

- D320,263 S * 9/1991 Kohler, Jr. et al. D23/293.1
- D376,195 S 12/1996 McKeone
- D387,857 S * 12/1997 McKeone D23/284

FIG. 4 is a cross sectional view taken along line 4—4 of FIG. 3 thereof.

OTHER PUBLICATIONS

Domestic Engineering, Mar. 1963: Vance Industries, Inc.
SMK frames.*

The fragmentary broken line representation of counter top in FIG. 1 and the broken line representations of bowl structure in FIG. 3 and FIG. 4 are for the purposes of illustration only, and form no part of the claimed design.

* cited by examiner

1 Claim, 2 Drawing Sheets

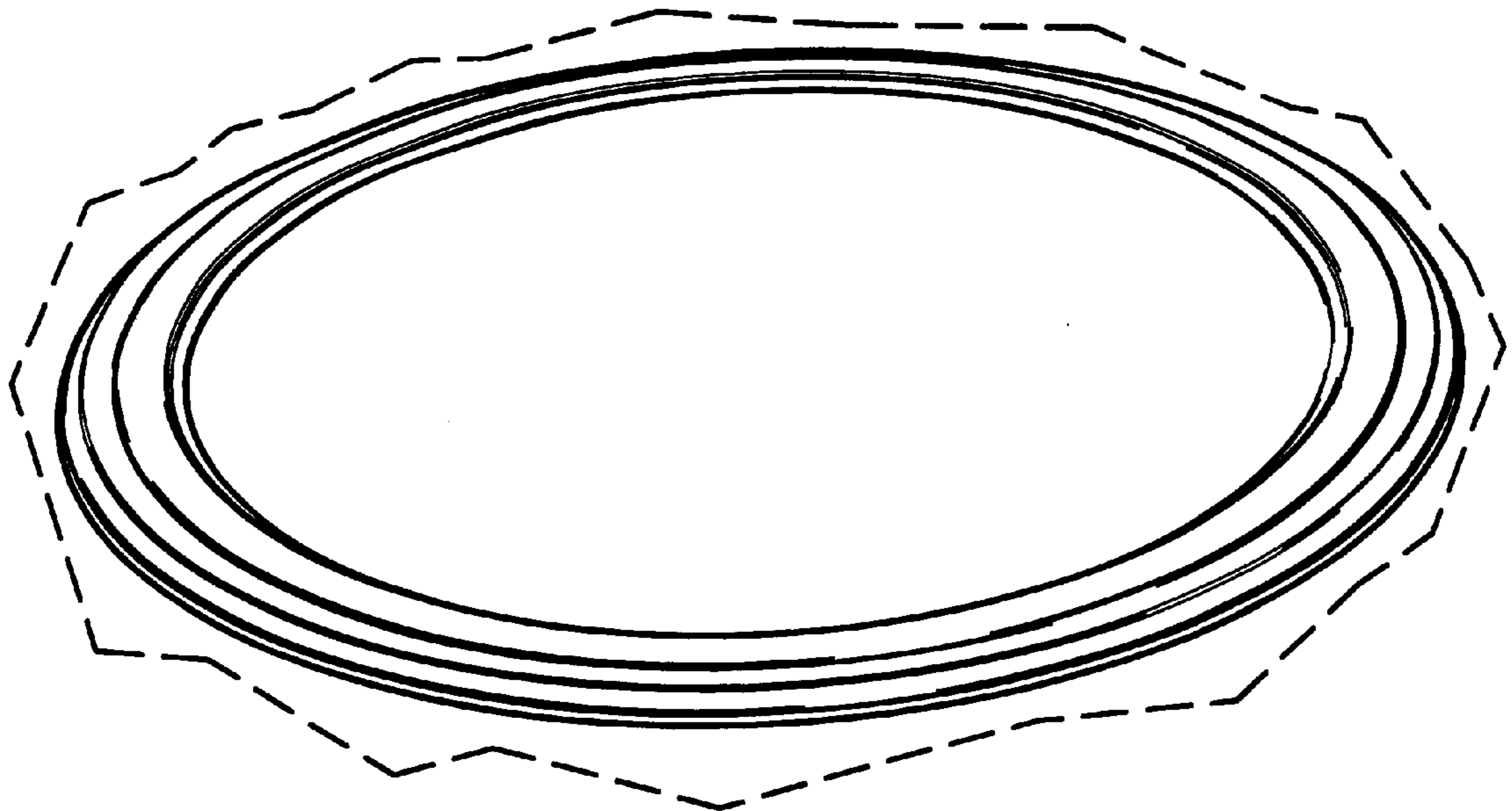


FIG. 1

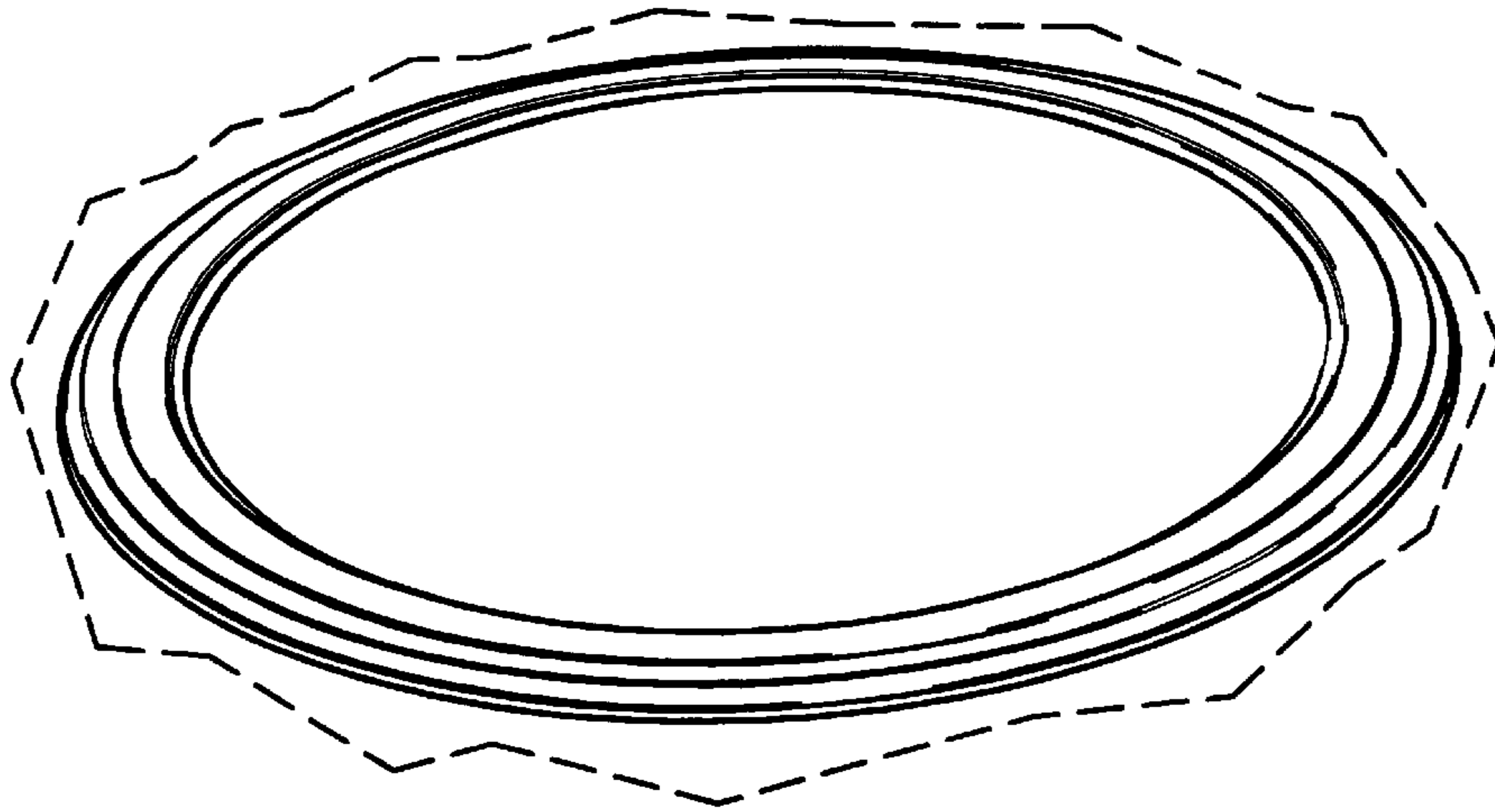


FIG. 2

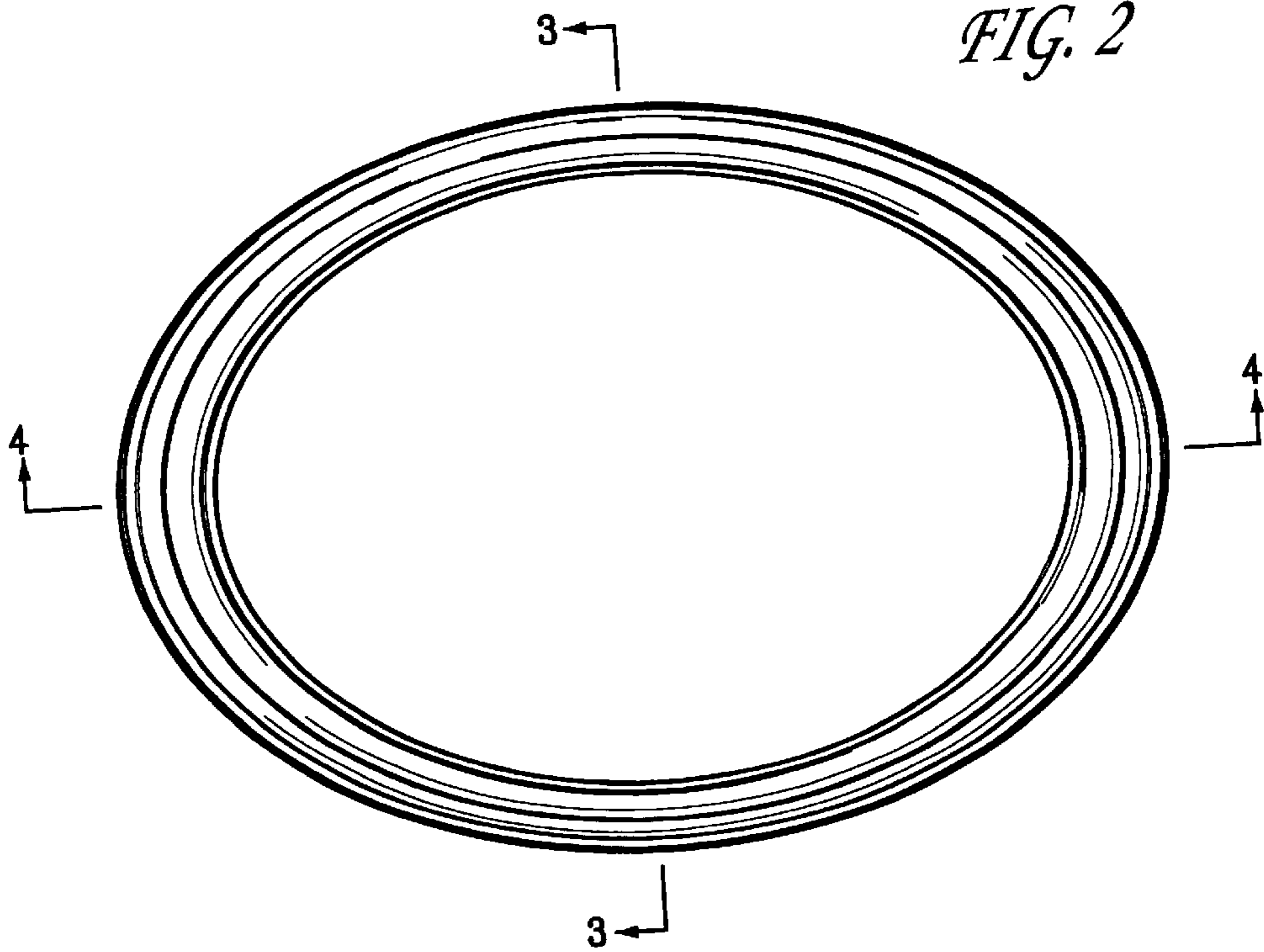


FIG. 3

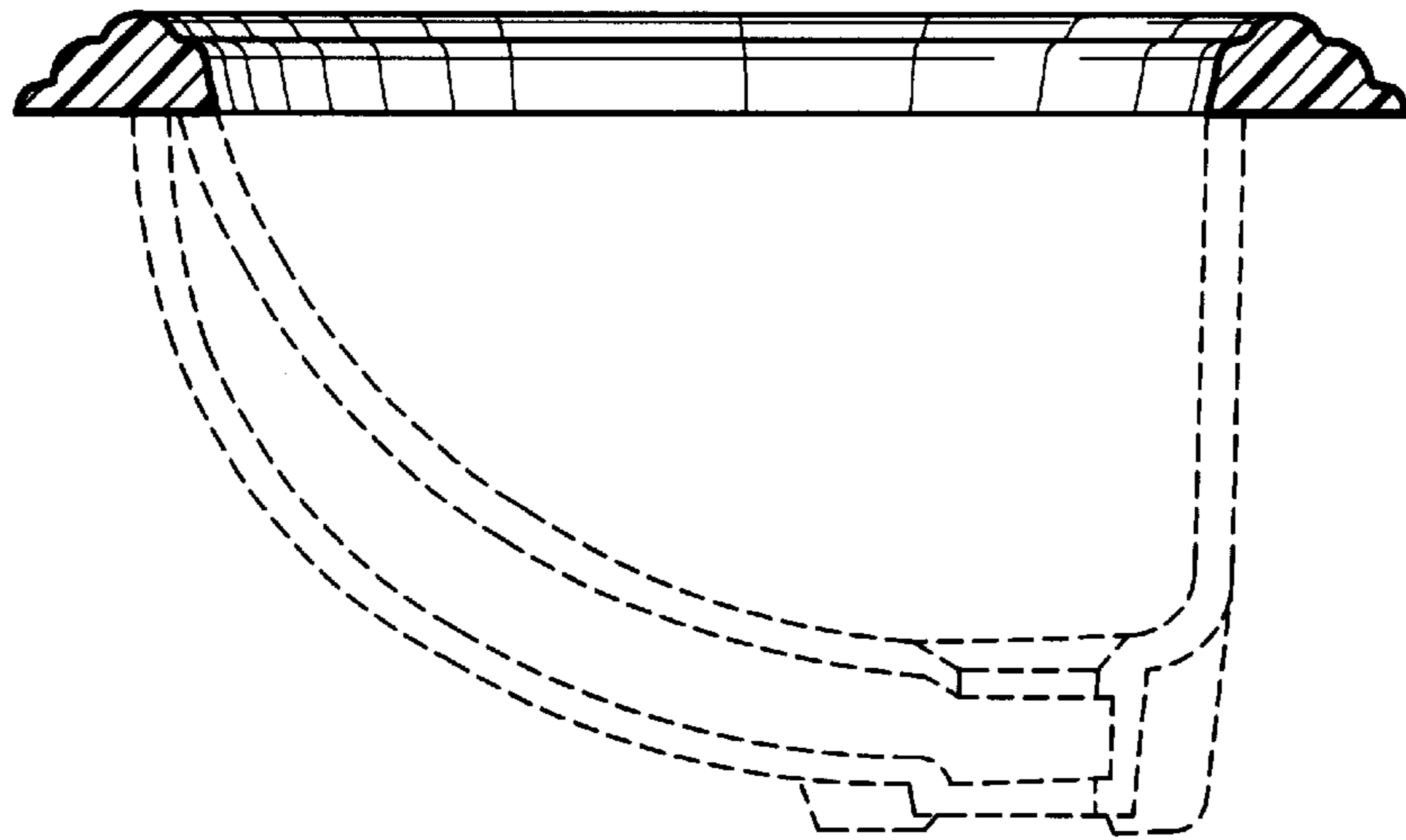


FIG. 4

