



US00D457935S

(12) **United States Design Patent**
Ariaz

(10) **Patent No.:** **US D457,935 S**

(45) **Date of Patent:** **** May 28, 2002**

(54) **FOGGER ASSEMBLY HOUSING**

(76) Inventor: **Danny L. Ariaz**, 7575 Tamra Dr.,
Reno, NV (US) 89506

(**) Term: **14 Years**

(21) Appl. No.: **29/135,797**

(22) Filed: **Jan. 18, 2001**

(51) **LOC (7) Cl.** **23-01**

(52) **U.S. Cl.** **D23/200**

(58) **Field of Search** D23/200, 356;
239/1, 2.1, 61, 136

(56) **References Cited**

U.S. PATENT DOCUMENTS

2,070,038	A	*	2/1937	Batt	239/2.1
4,675,504	A	*	6/1987	Suhajda	239/136
5,525,268	A	*	6/1996	Reens	239/61
5,803,359	A	*	9/1998	Vandoninck	239/2.1

* cited by examiner

Primary Examiner—Robin V. Taylor

(74) *Attorney, Agent, or Firm*—James F. Hann; Haynes
Beffel & Wolfeld LLP

(57) **CLAIM**

The ornamental design for a fogger assembly housing, as
shown and described.

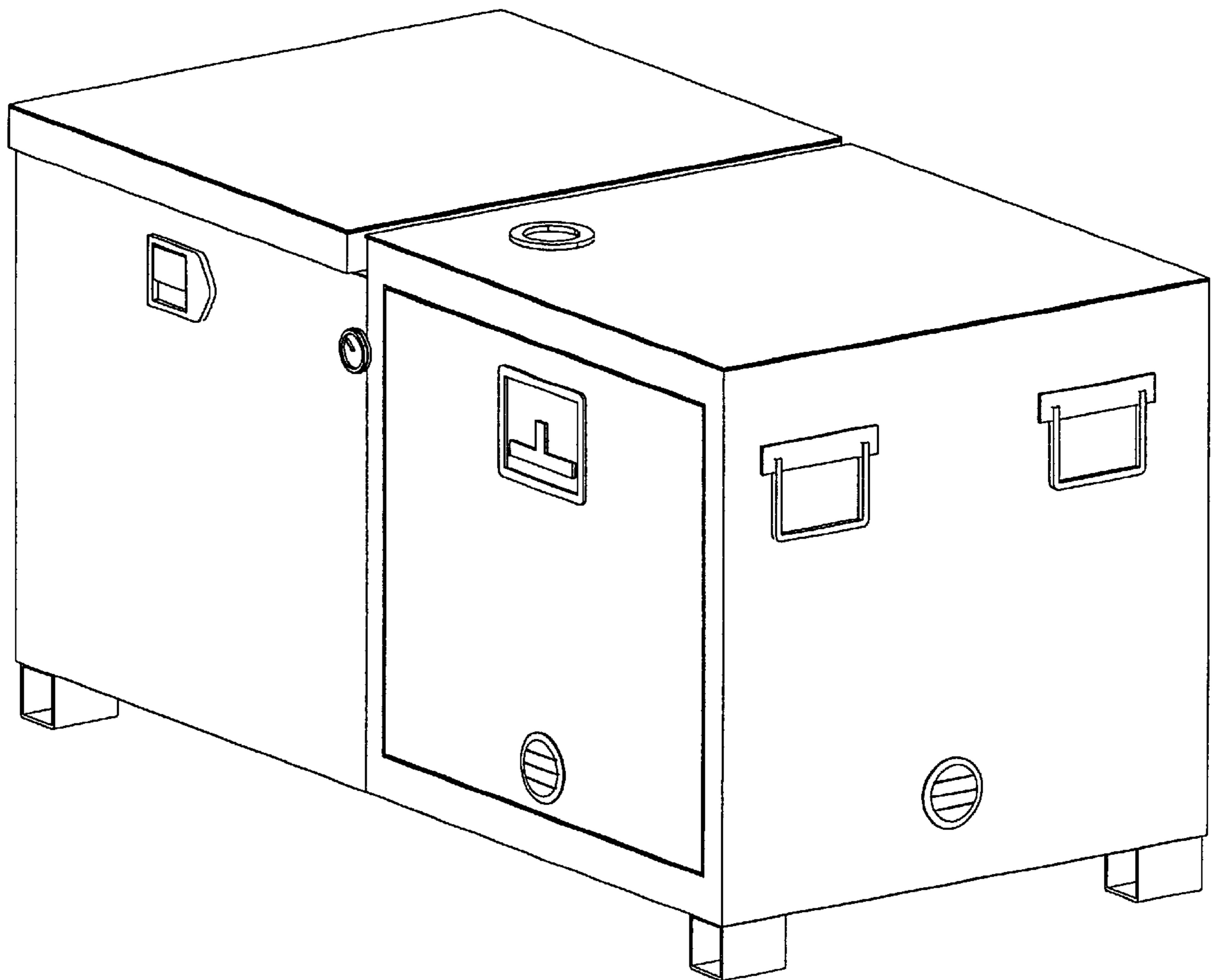
DESCRIPTION

The fogger assembly housing is used to house the compo-
nents of a fogger assembly. A nozzle may be mounted to the
circular fitting on the top of the housing.

FIG. 1 is a front elevation, right side elevation, top plan
isometric view of a fogger assembly housing showing our
new design; and,

FIG. 2 is a rear elevation, left side elevation, top plan
isometric view thereof.

1 Claim, 2 Drawing Sheets



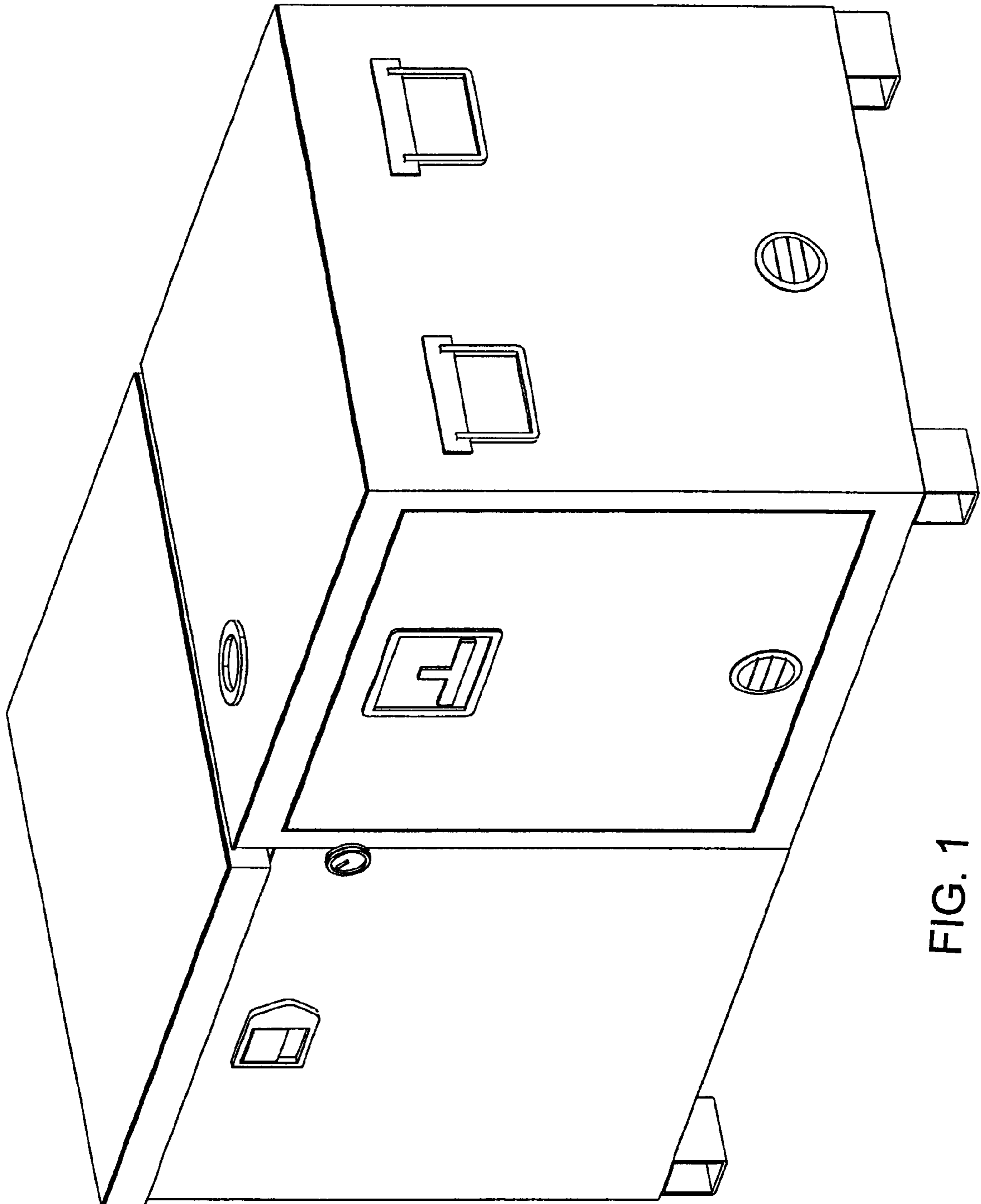


FIG. 1

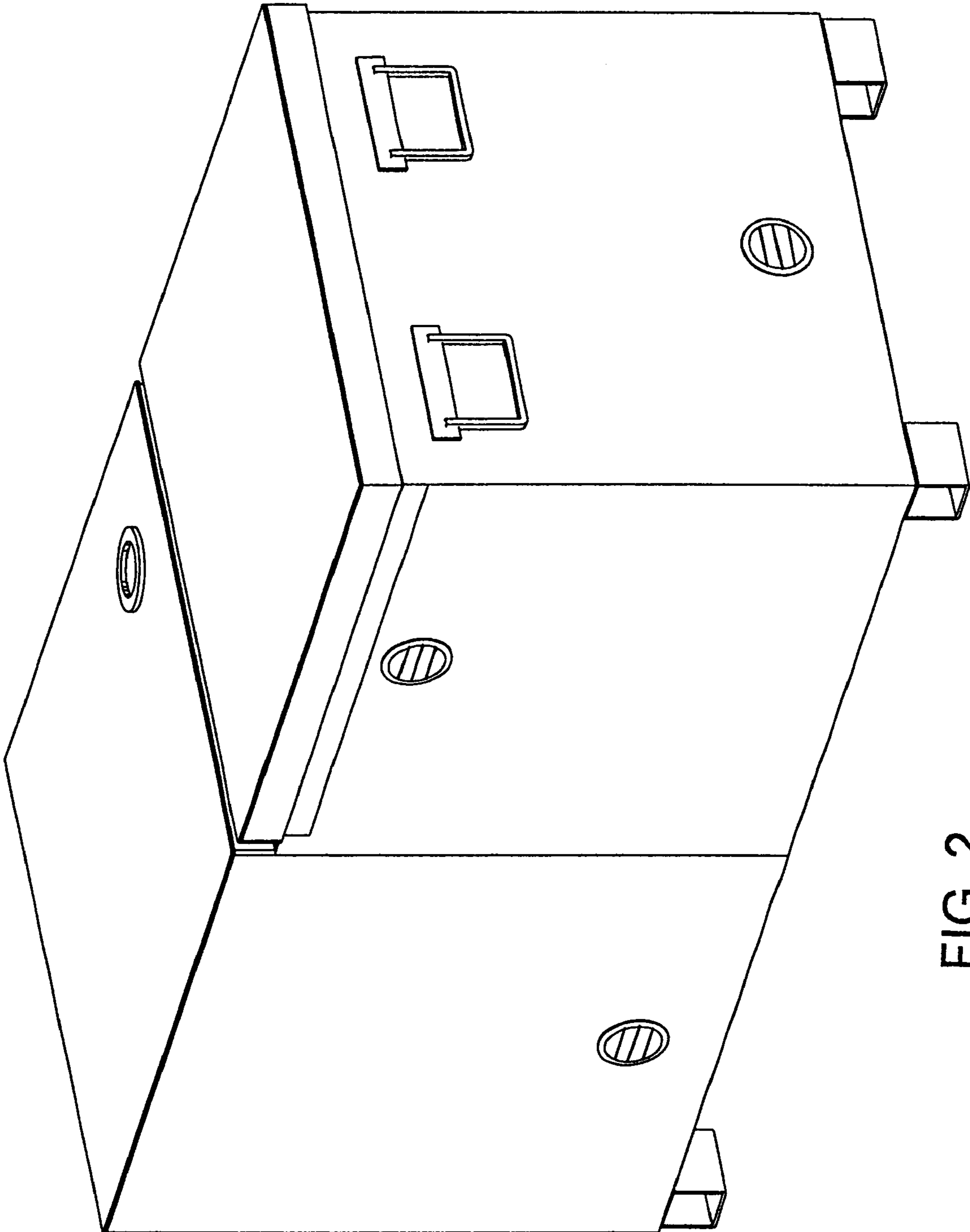


FIG. 2