



US00D457925S

(12) **United States Design Patent**  
**Grafton**

(10) **Patent No.:** **US D457,925 S**

(45) **Date of Patent:** **\*\* May 28, 2002**

(54) **TOY WEED TRIMMER**

(75) Inventor: **Charles E. Grafton**, El Segundo, CA (US)

(73) Assignee: **Lanard Toys Ltd.**, Kowloon (HK)

(\*\*) Term: **14 Years**

(21) Appl. No.: **29/128,342**

(22) Filed: **Aug. 23, 2000**

(30) **Foreign Application Priority Data**

Feb. 23, 2000 (HK) ..... 0010209

(51) **LOC (7) Cl.** ..... **21-01**

(52) **U.S. Cl.** ..... **D21/532; D8/8**

(58) **Field of Search** ..... D21/483, 532;  
D8/7-9; 30/296.1, 312, 276, 275.4, 349;  
56/12.7

(56) **References Cited**

**U.S. PATENT DOCUMENTS**

D301,009 S \* 5/1989 Pilatowicz ..... D8/8  
D373,712 S \* 9/1996 Bridgers ..... D8/8  
5,644,844 A \* 7/1997 Pink ..... 30/276  
D382,450 S \* 8/1997 Meisner ..... D8/8  
6,240,644 B1 \* 6/2001 Lawrence ..... 30/296.1

**OTHER PUBLICATIONS**

Shindaiwa Home Pro E22F Trimmer, at [www.icr.com.au/~dmower/\\_hot.html](http://www.icr.com.au/~dmower/_hot.html).

Tanaka Grass Trimmer, at [www.yardplus.com/tanaka1.html](http://www.yardplus.com/tanaka1.html).

Echo Trimmer, at [www.echo.ca/Body.htm](http://www.echo.ca/Body.htm).

The Ryobi Trimmer Plus, by Ed Hutchison, at [www.today-shomeowner.com/yard/9990578\\_aty4.html](http://www.today-shomeowner.com/yard/9990578_aty4.html).

Toro Proline HandHeld Equipment, at [www.toro.com/landscape/proline\\_handheld/](http://www.toro.com/landscape/proline_handheld/).

Toro ProLine SE Series String Trimmers, at [www.toro.com/landscape/proline\\_handheld/](http://www.toro.com/landscape/proline_handheld/).

Toro ProLine LE Series String Trimmers, at [www.toro.com/landscape/proline\\_handheld/](http://www.toro.com/landscape/proline_handheld/).

Toro Proline AE Series String Trimmers, at [www.toro.com/landscape/proline\\_handheld/](http://www.toro.com/landscape/proline_handheld/).

Toro ProLine AE Series Brushcutter, at [www.toro.com/landscape/proline\\_handheld/](http://www.toro.com/landscape/proline_handheld/).

Toro ProLine AE Series Stick Edger, at [www.toro.com/landscape/proline\\_handheld/](http://www.toro.com/landscape/proline_handheld/).

Toro ProLine AE Series Pole Pruner, at [www.toro.com/landscape/proline\\_handheld/](http://www.toro.com/landscape/proline_handheld/).

(List continued on next page.)

*Primary Examiner*—Raphael Barkai

(74) *Attorney, Agent, or Firm*—Baker Botts L.L.P.

(57) **CLAIM**

The ornamental design of the toy weed trimmer, as shown and described.

**DESCRIPTION**

FIG. 1 is a three-dimensional perspective view of the toy weed trimmer of the present invention with the extension rod partially extended;

FIG. 2 is a top view of the toy weed trimmer of the present invention;

FIG. 3 is a bottom view of the toy weed trimmer of the present invention;

FIG. 4 is a right side view of the toy weed trimmer of the present invention;

FIG. 5 is a front side view of the toy weed trimmer of the present invention;

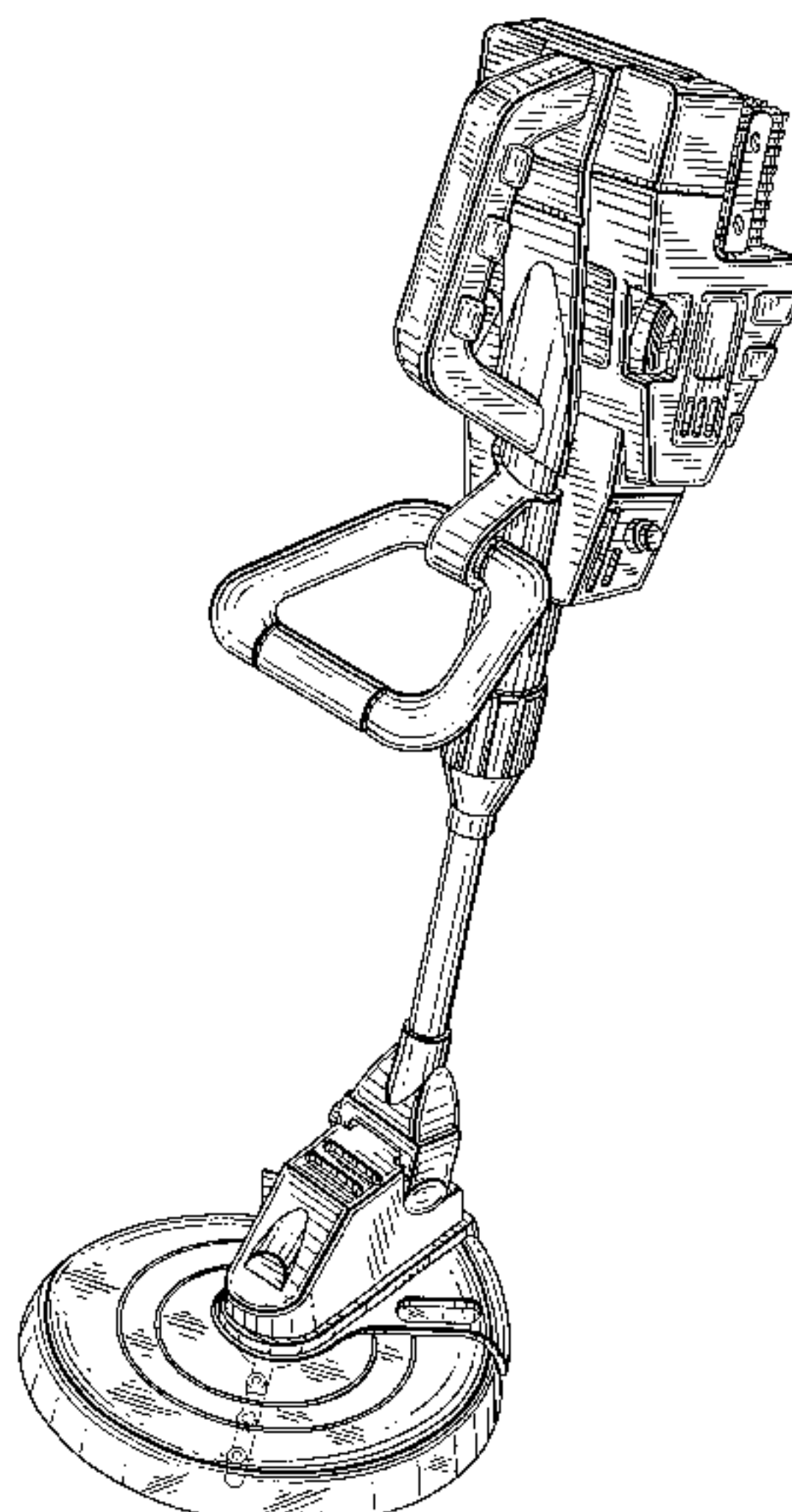
FIG. 6 is a rear view of the toy weed trimmer of the present invention;

FIG. 7 is a left side view of the toy weed trimmer of the present invention;

FIG. 8 is a right side view of the toy weed trimmer of the present invention with the extension rod fully extended; and,

FIG. 9 is also a perspective view of the toy weed trimmer of the present invention with the extension rod fully extended and with the lower blade portion pivoted.

**1 Claim, 8 Drawing Sheets**



OTHER PUBLICATIONS

Kawasaki Trimmers, at [www.kawasaki.com/kengine/kb123a\\_specs.html](http://www.kawasaki.com/kengine/kb123a_specs.html).

Kawasaki KBL 23A, at [www.kawasaki.com/kengine/kb123a\\_specs.html](http://www.kawasaki.com/kengine/kb123a_specs.html).

Kawasaki KBL 26A, at [www.kawasaki.com/kengine/kb126a\\_specs.html](http://www.kawasaki.com/kengine/kb126a_specs.html).

Kawasaki KBL 34A, at [www.kawasaki.com/kengine/kb134a\\_specs.html](http://www.kawasaki.com/kengine/kb134a_specs.html).

John Deere Trimmers BC 1600 Brush Cutter/Line Trimmer, at <http://products.deere.com/cgi-bin/...tcgnbr>.

John Deere Trimmers C 1200 Line Trimmer, at <http://products.deere.com/cgi-bin/...&pcat>.

John Deere Trimmers S 1400 Line Trimmer, at <http://products.deere.com/cgi-bin/...&pcat>.

\* cited by examiner

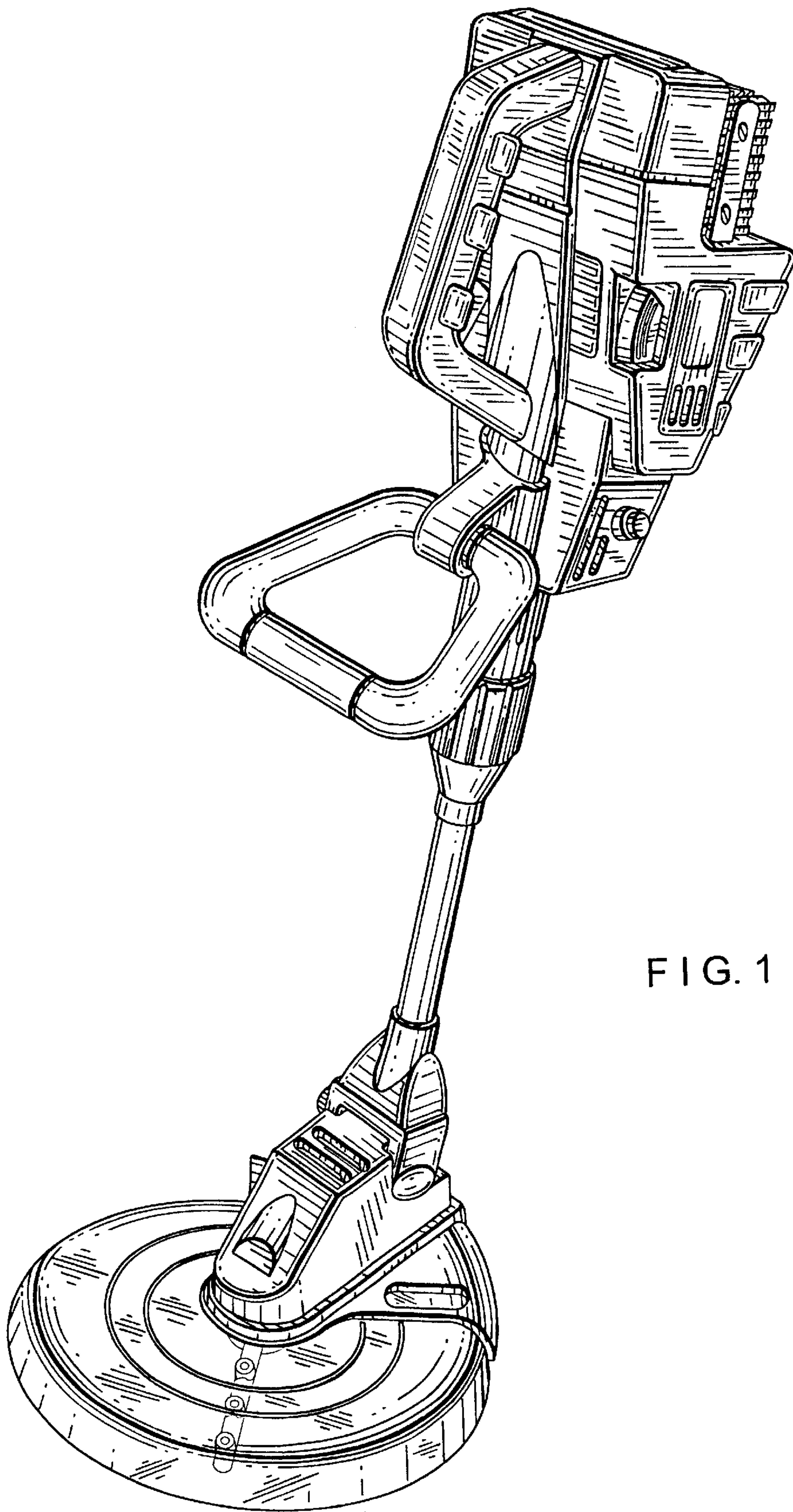


FIG. 1



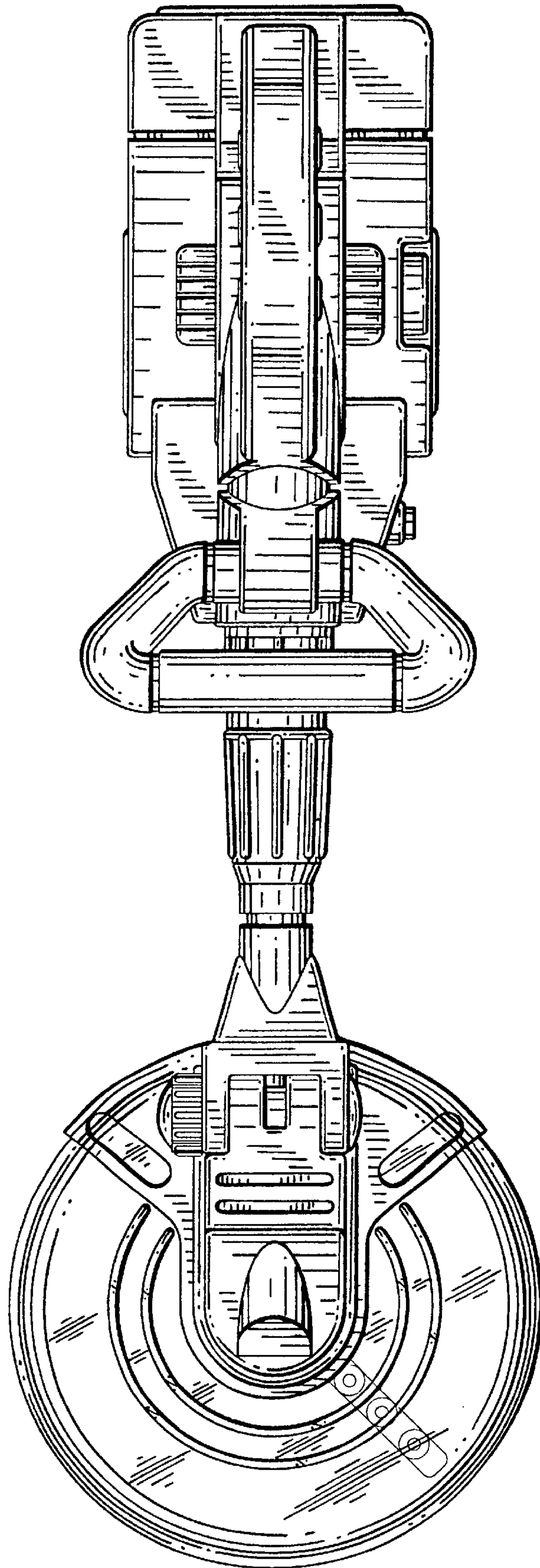


FIG. 2

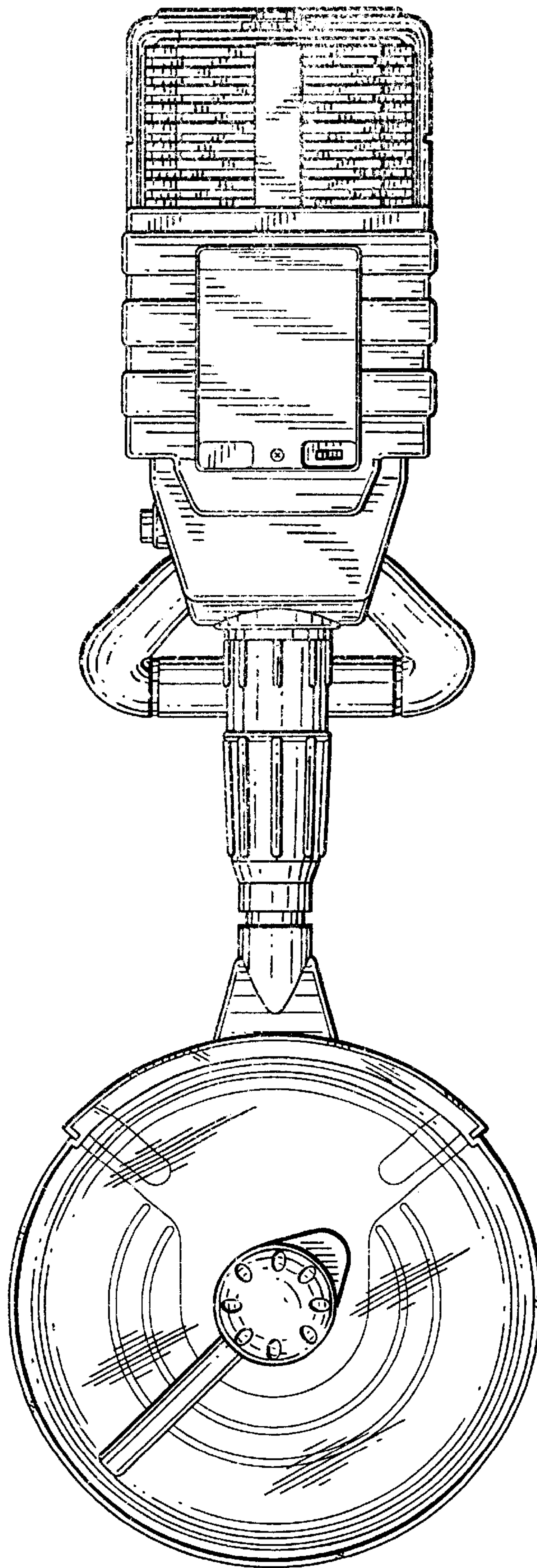


FIG. 3

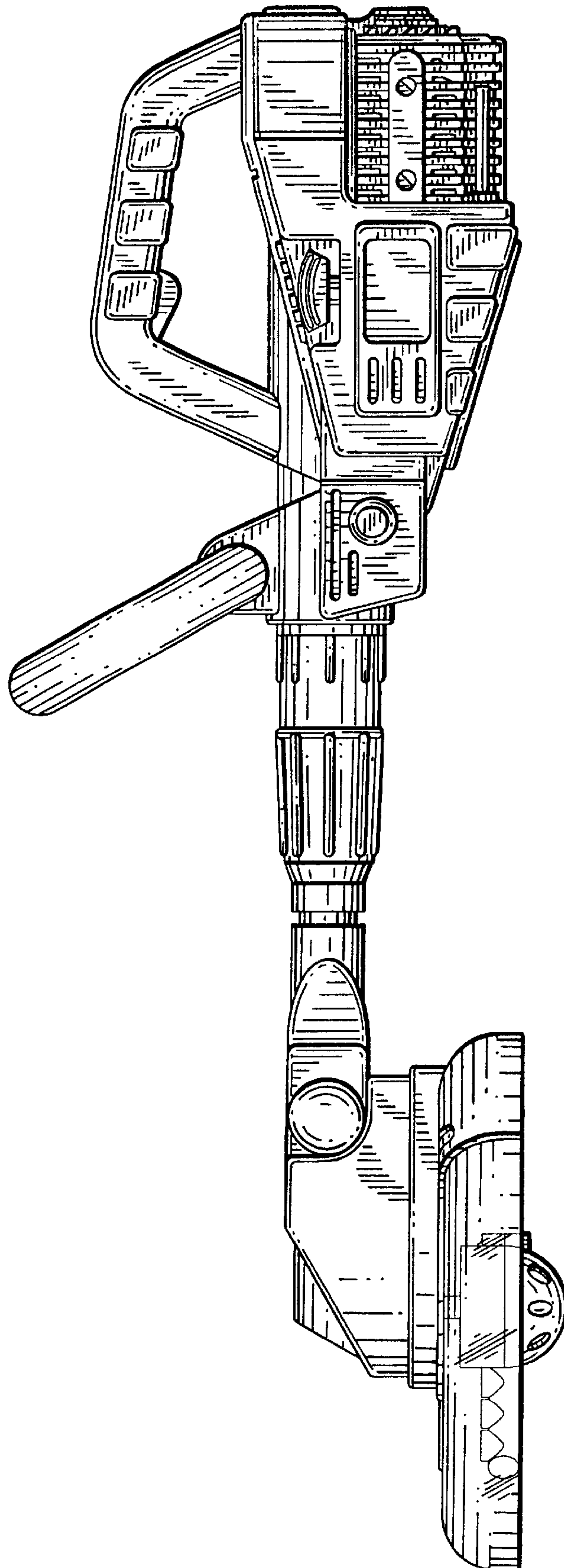


FIG. 4

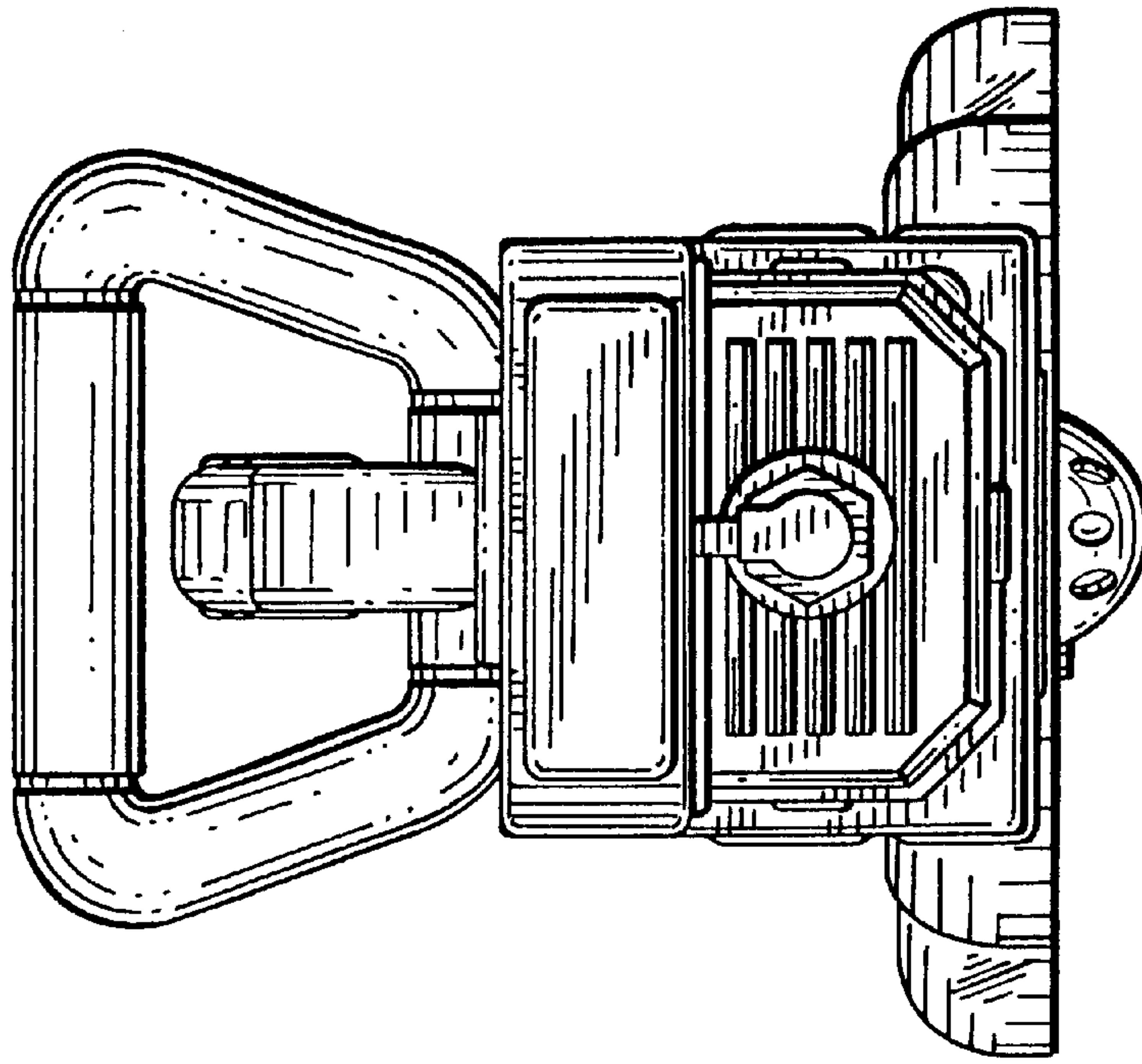


FIG. 6

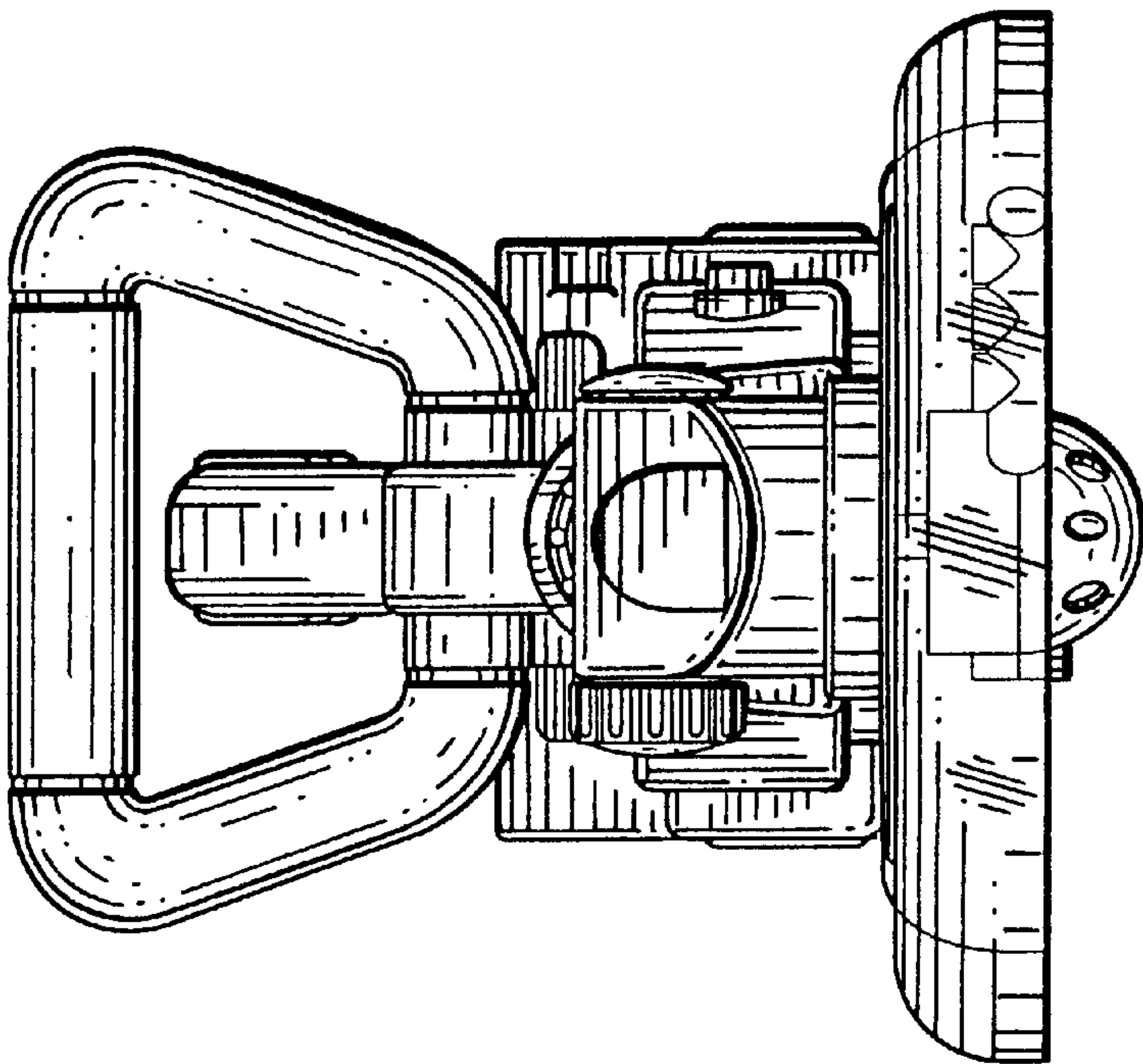


FIG. 5



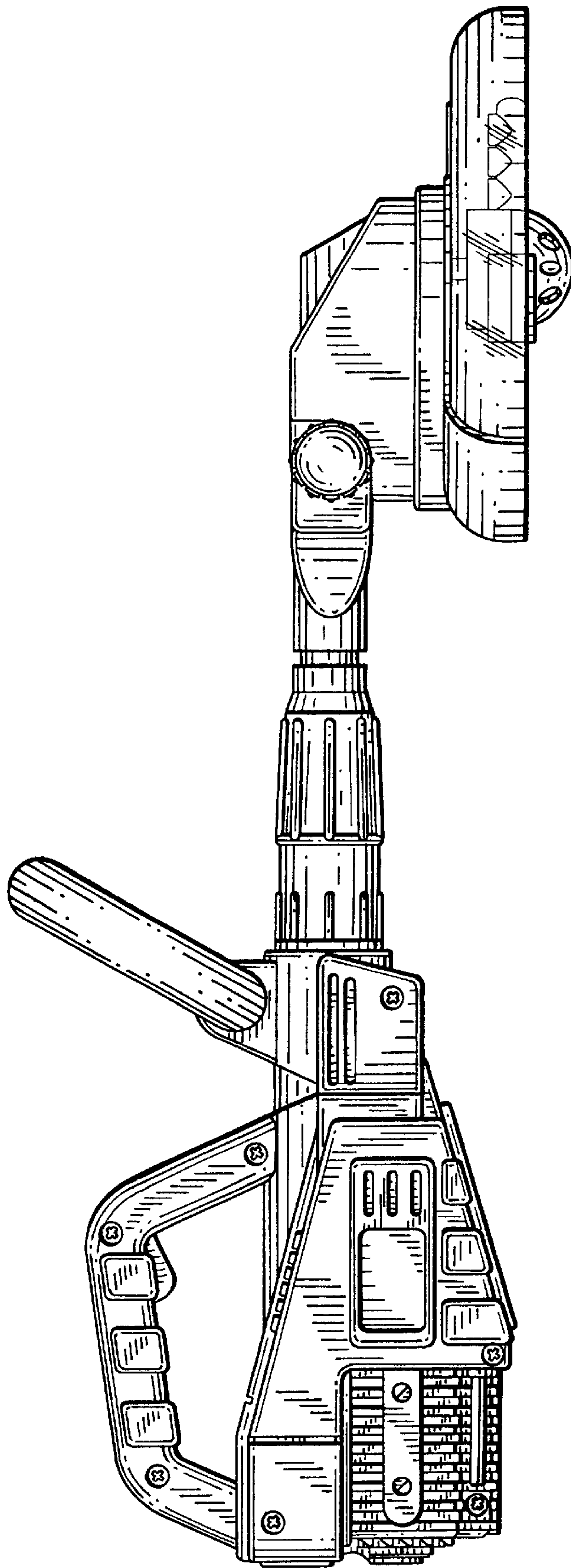


FIG. 7



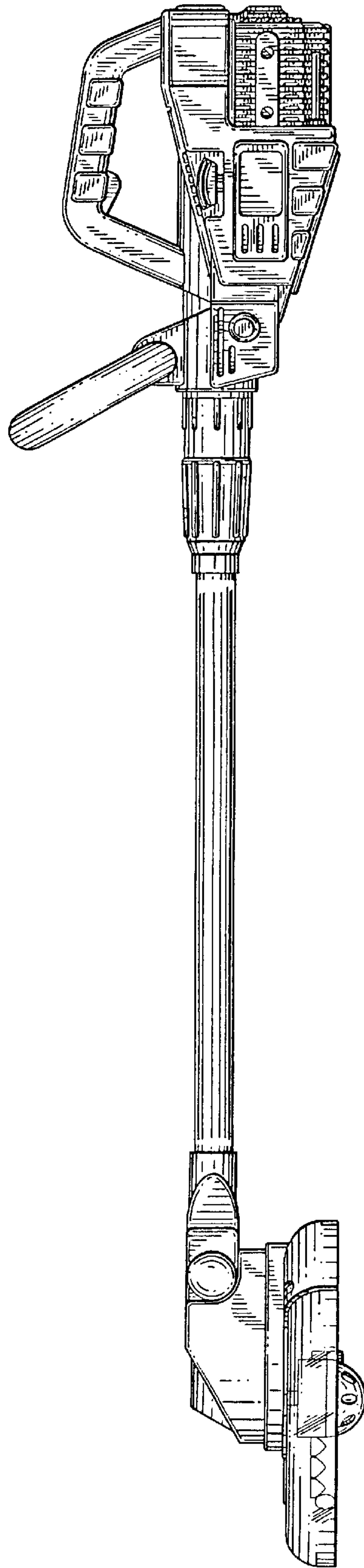


FIG. 8

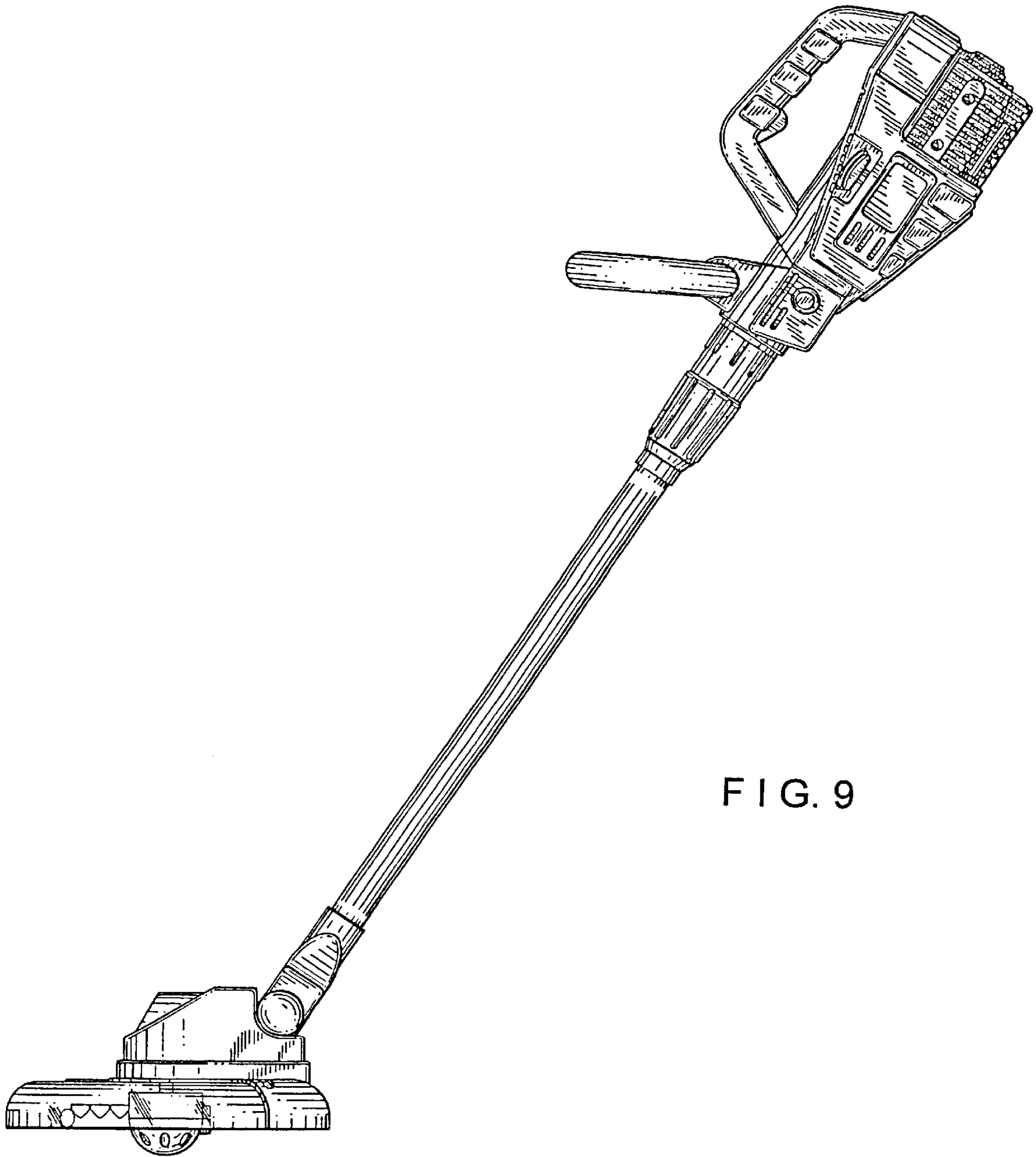


FIG. 9