



US00D457924S

(12) **United States Design Patent** (10) **Patent No.:** **US D457,924 S**
Schofield et al. (45) **Date of Patent:** **** May 28, 2002**

(54) **TOY SOFA**

(75) Inventors: **Beverly Schofield**, Alton, IL (US);
Diane Ressel, Florissant; **Shari Stout**,
St. Louis, both of MO (US); **Adrienne**
Weiss, Chicago, IL (US)

(73) Assignee: **Build-A-Bear Workshop, Inc.**, St.
Louis, MO (US)

(**) Term: **14 Years**

(21) Appl. No.: **29/144,068**

(22) Filed: **Jun. 25, 2001**

(51) **LOC (7) Cl.** **21-01**

(52) **U.S. Cl.** **D21/521**

(58) **Field of Search** D21/519, 521;
D6/334, 364, 381; 446/482, 479

(56) **References Cited**

U.S. PATENT DOCUMENTS

D279,052	S	*	6/1985	McDonald	D6/334
5,004,445	A	*	4/1991	Coleman	446/482
D375,210	S	*	11/1996	Paus	D6/381
D412,066	S	*	7/1999	Linder	D6/334
D427,731	S	*	7/2000	Copple	D6/334
D446,030	S	*	8/2001	Linder	D6/334
D446,949	S	*	8/2001	Linder	D6/334

* cited by examiner

Primary Examiner—Raphael Barkai

(74) *Attorney, Agent, or Firm*—Blackwell Sanders Peper
Martin LLP

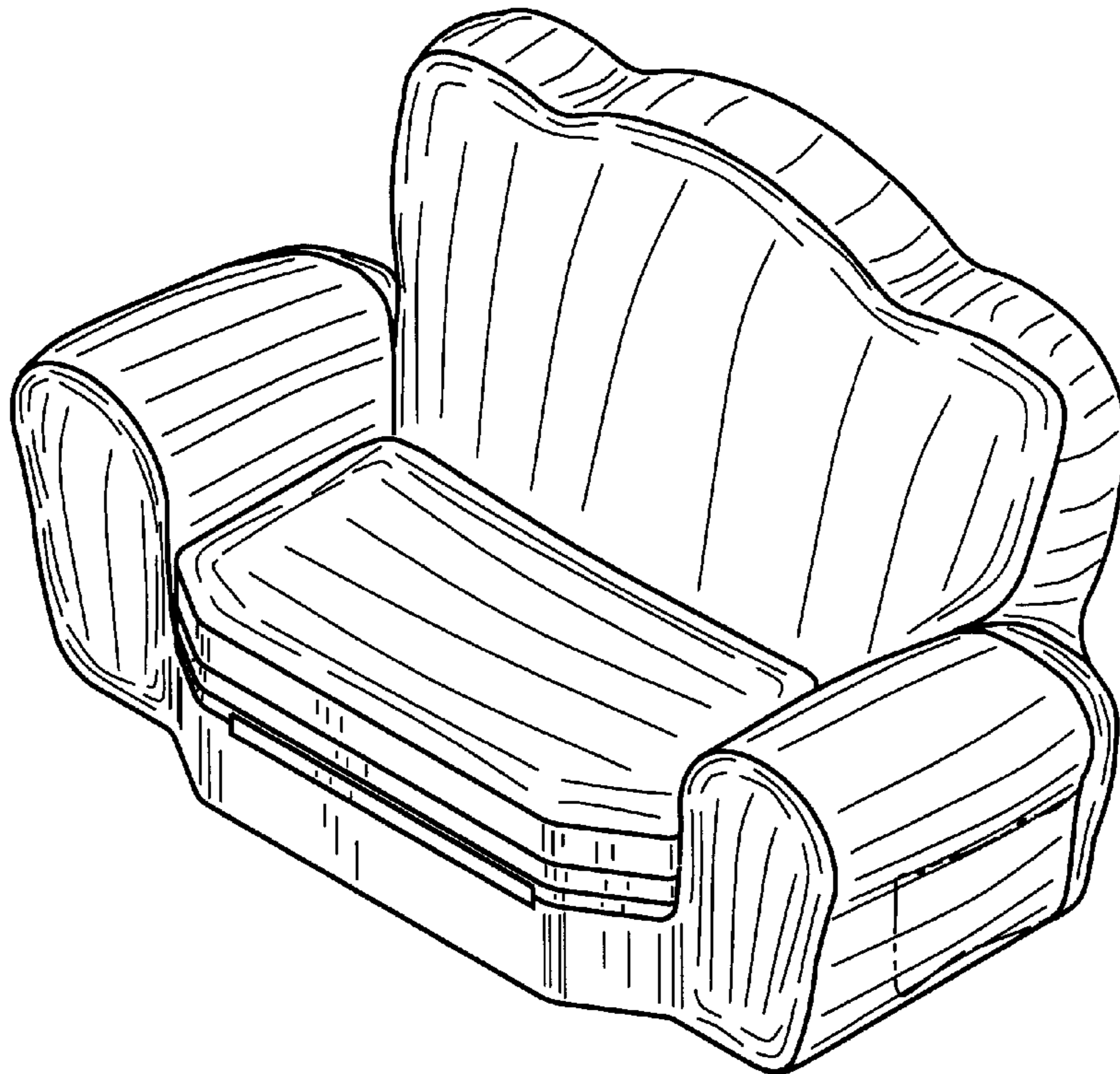
(57) **CLAIM**

The ornamental design for a toy sofa, as shown and
described.

DESCRIPTION

FIG. 1 is an upper perspective view of a toy sofa in
accordance with our new design;
FIG. 2 is a front elevational view thereof;
FIG. 3 is a back elevational view thereof;
FIG. 4 is a left side elevational view thereof;
FIG. 5 is a right side elevational view thereof;
FIG. 6 is a top plan view thereof; and
FIG. 7 is a bottom plan view thereof;
FIG. 8 is an upper perspective view of another embodiment
of the toy sofa of FIG. 1;
FIG. 9 is a front elevational view thereof;
FIG. 10 is a left side elevational view thereof;
FIG. 11 is a back elevational view thereof;
FIG. 12 is a right side elevational view thereof;
FIG. 13 is a top plan view thereof; and,
FIG. 14 is a bottom plan view thereof.
Throughout the drawings, lines shown in phantom form no
part of the claimed design.

1 Claim, 4 Drawing Sheets



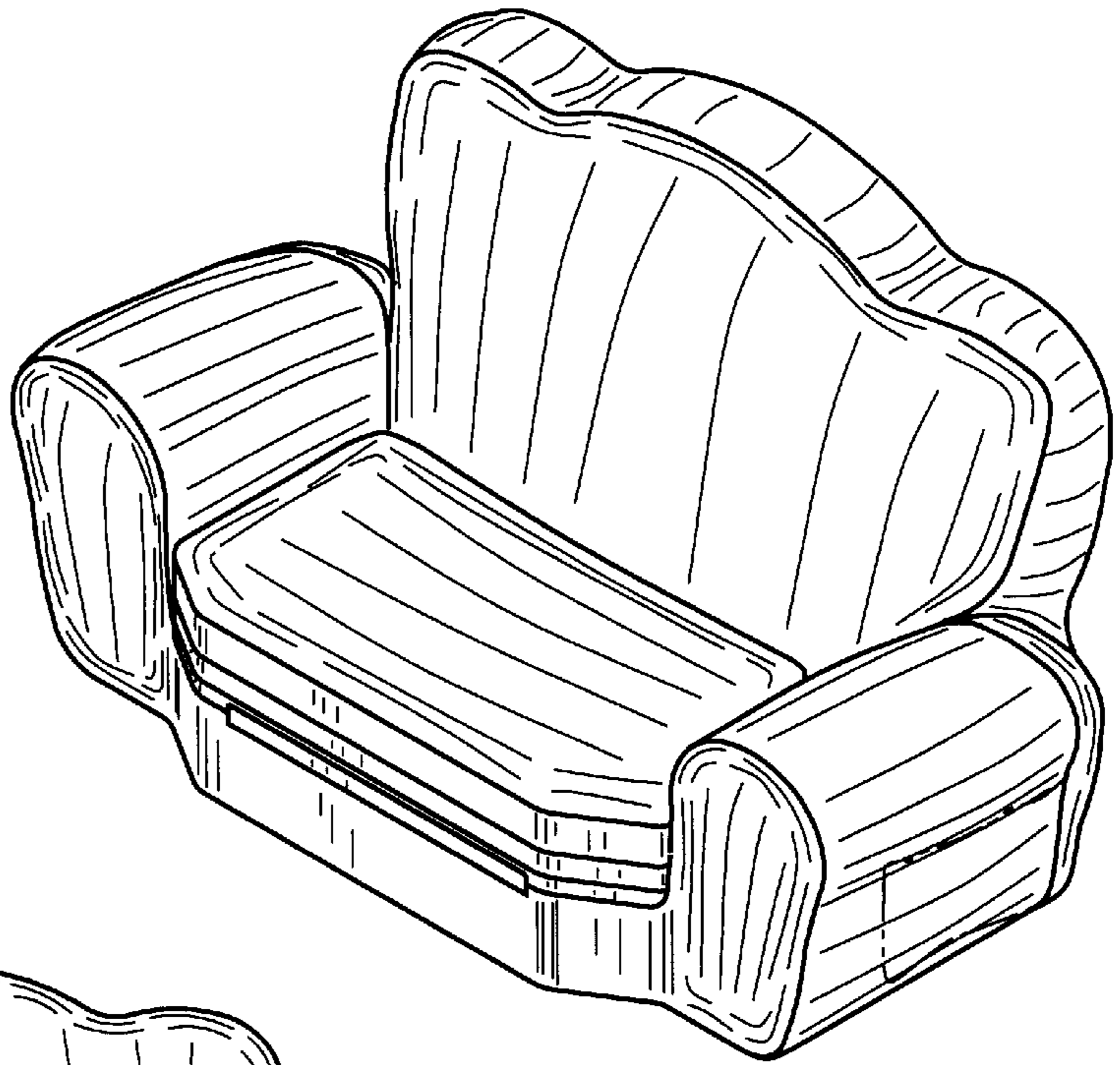


FIG. 1

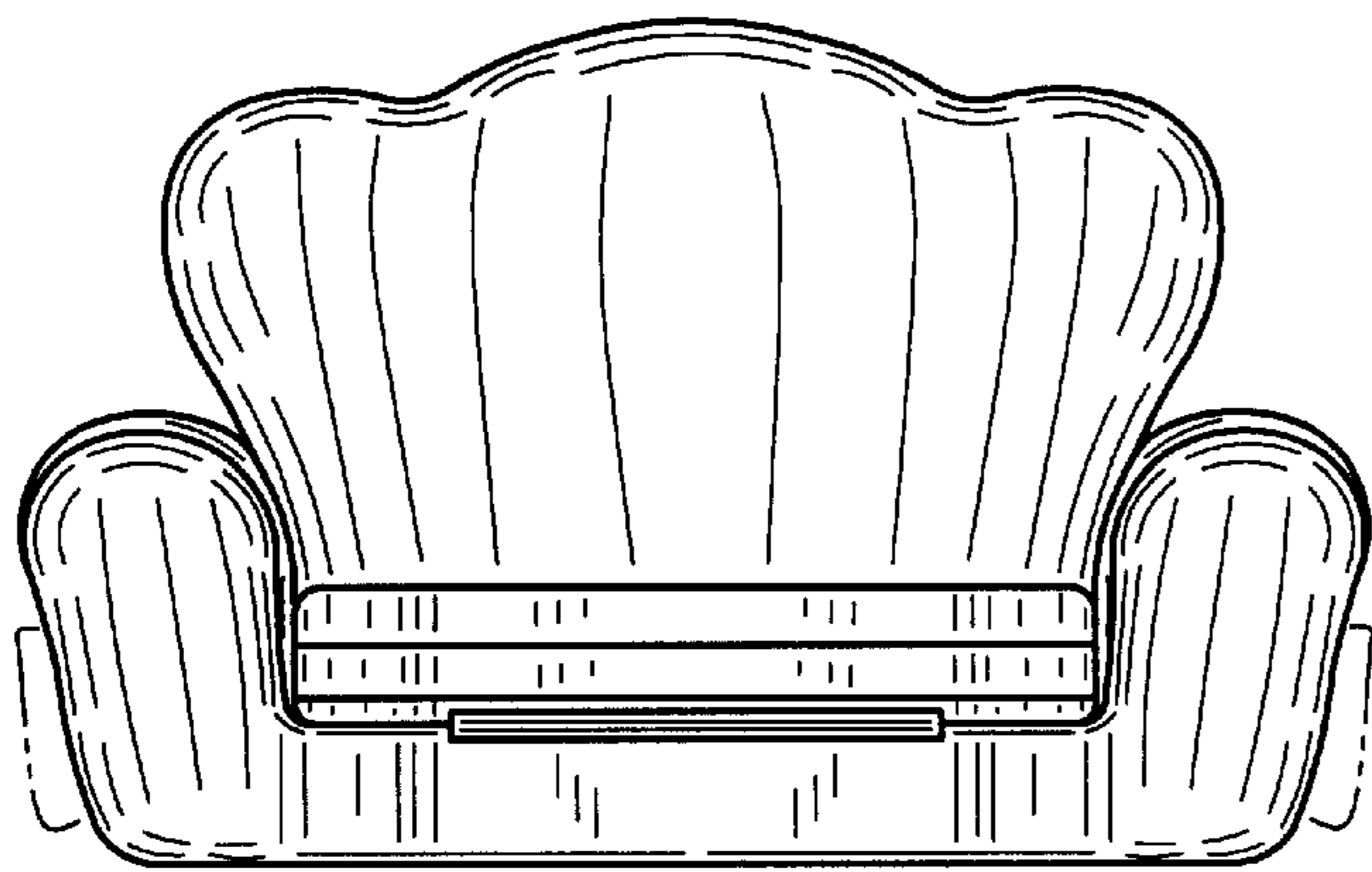


FIG. 2

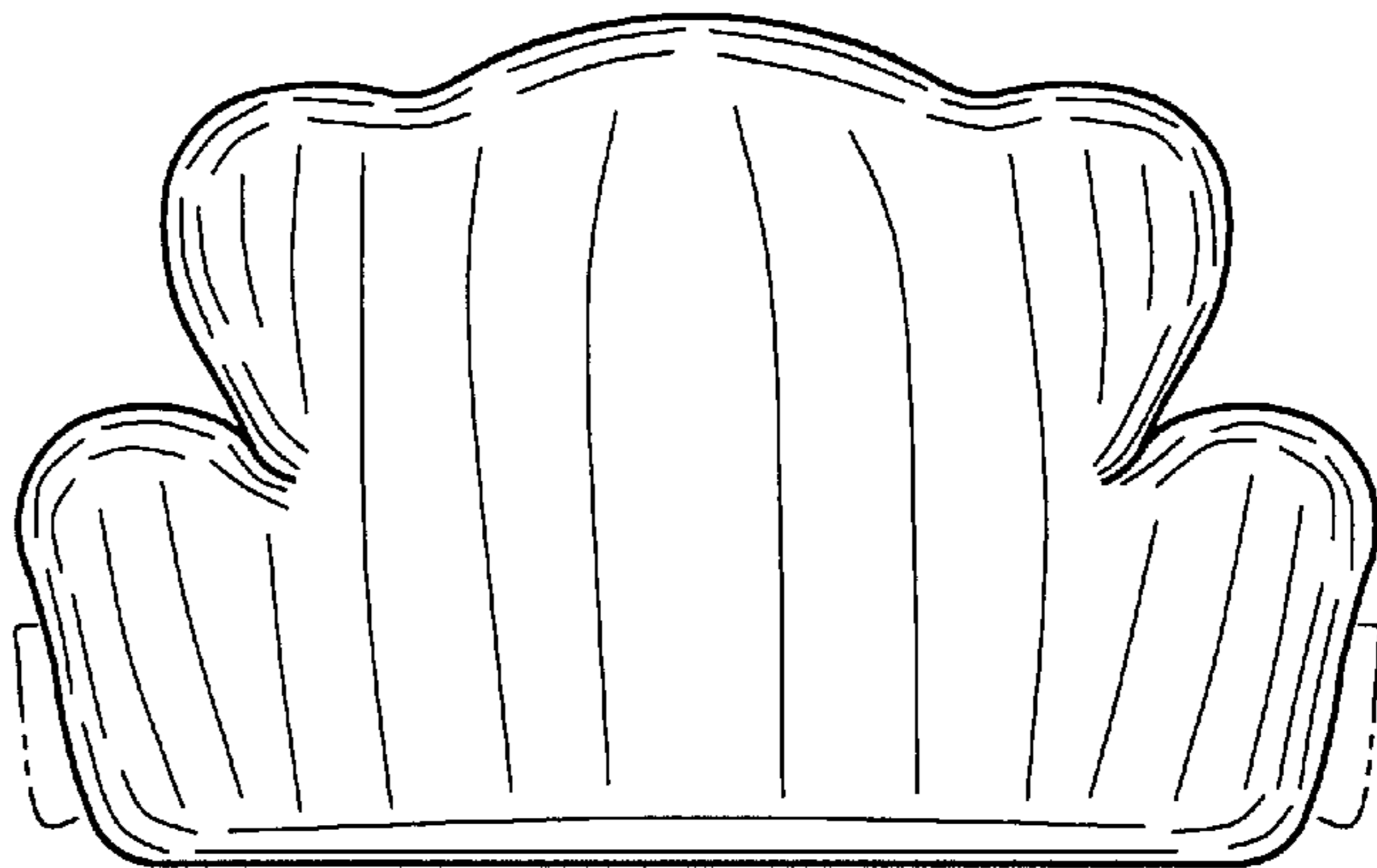


FIG. 3

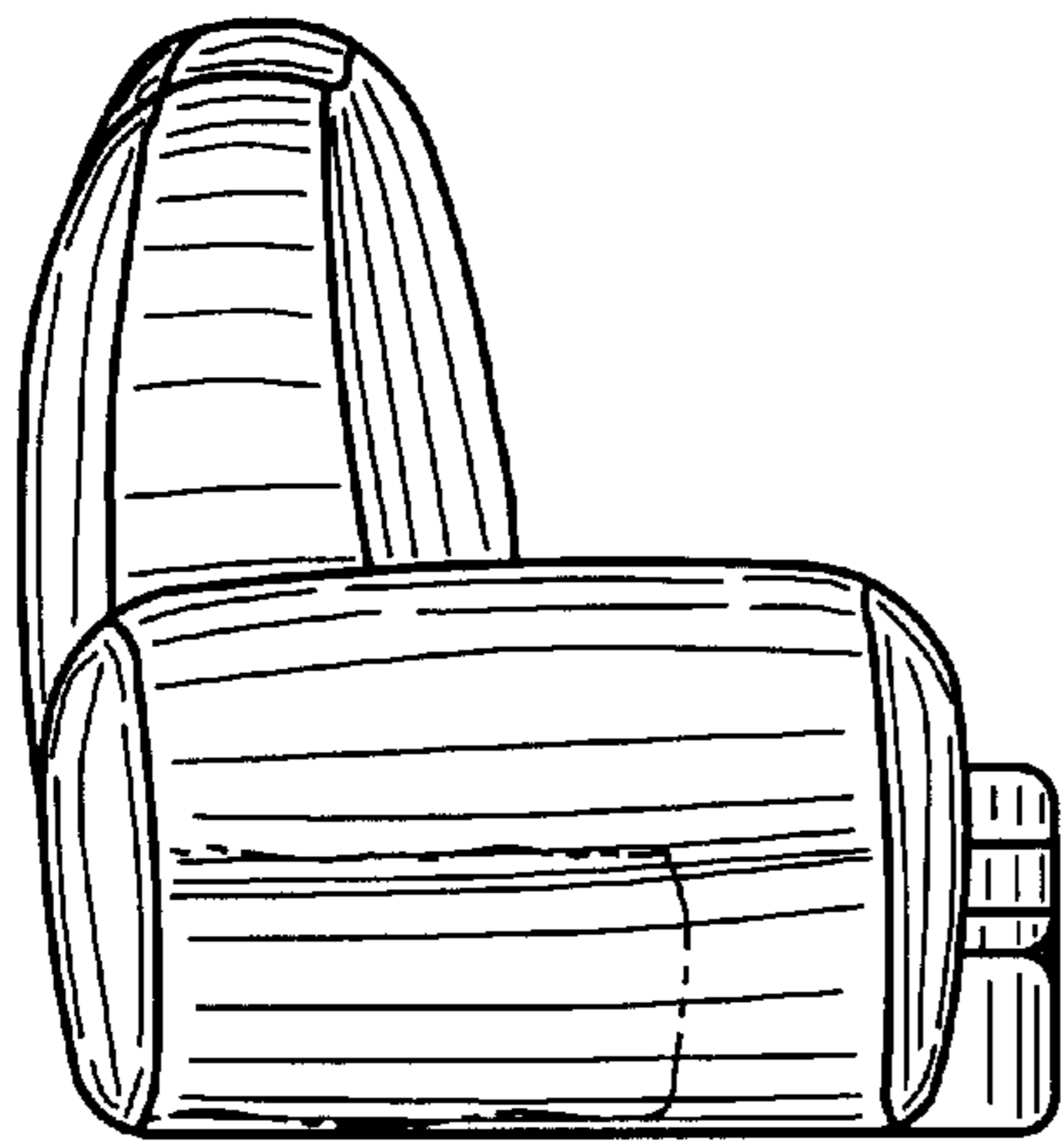


FIG. 4

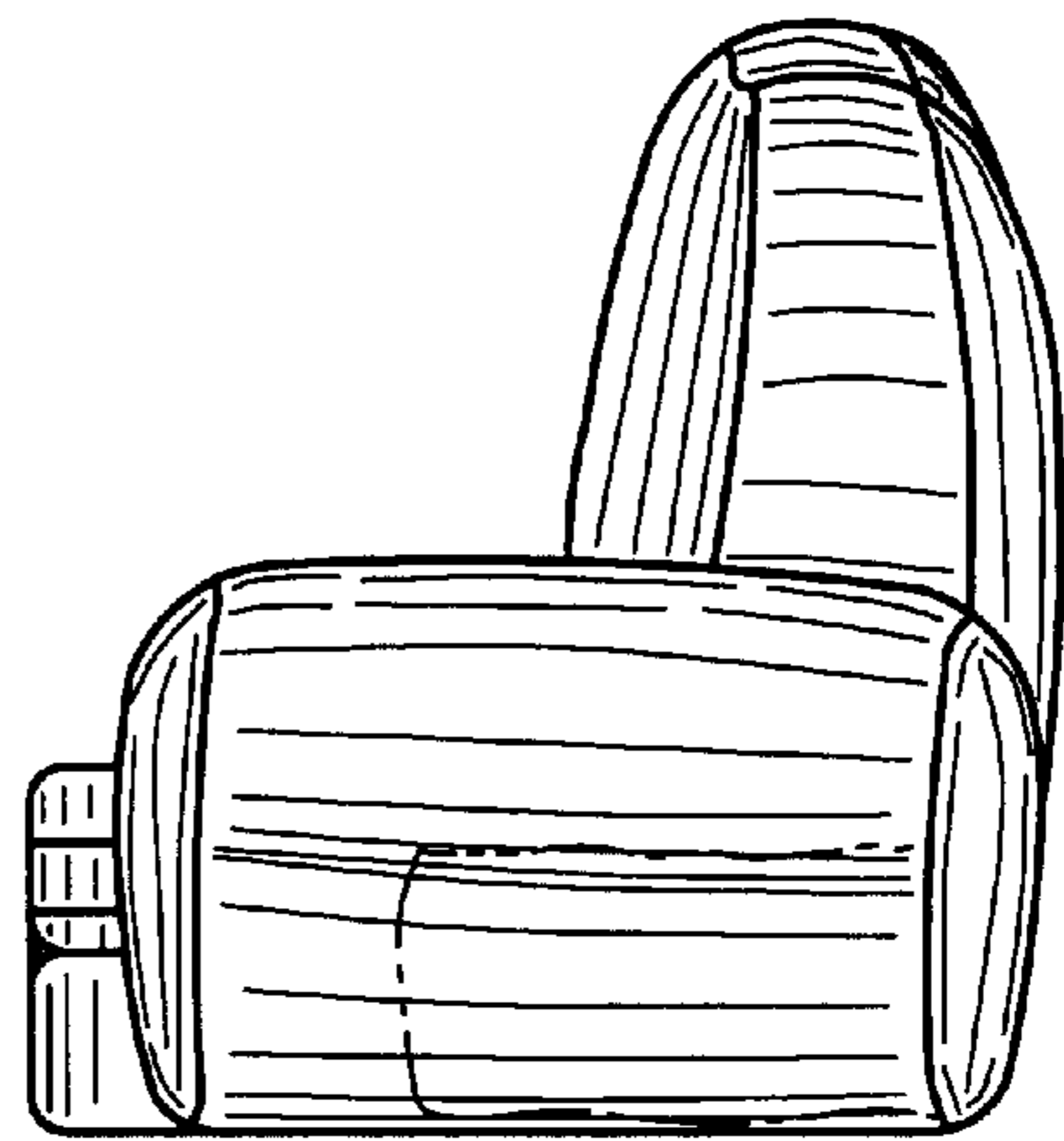


FIG. 5

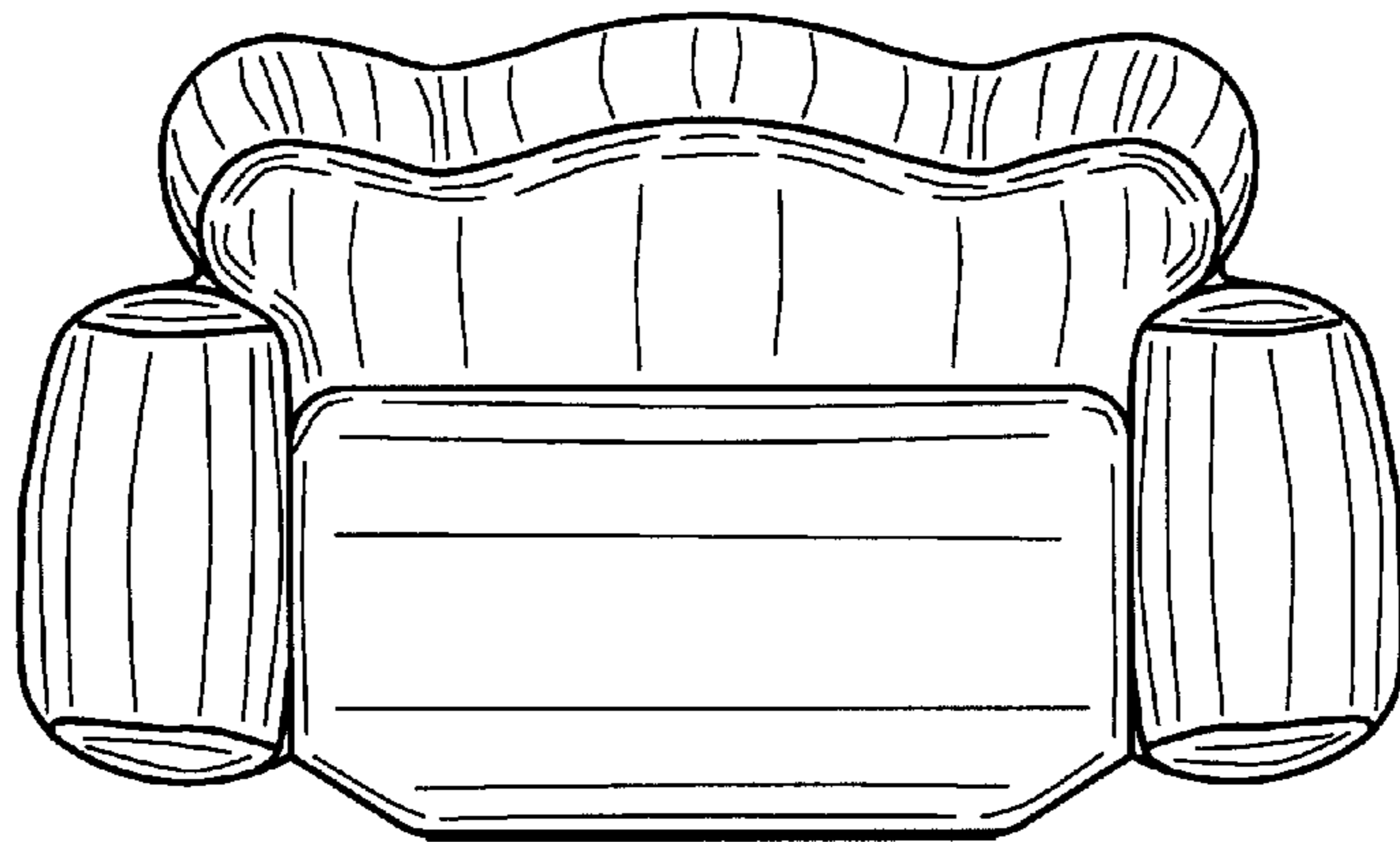


FIG. 6

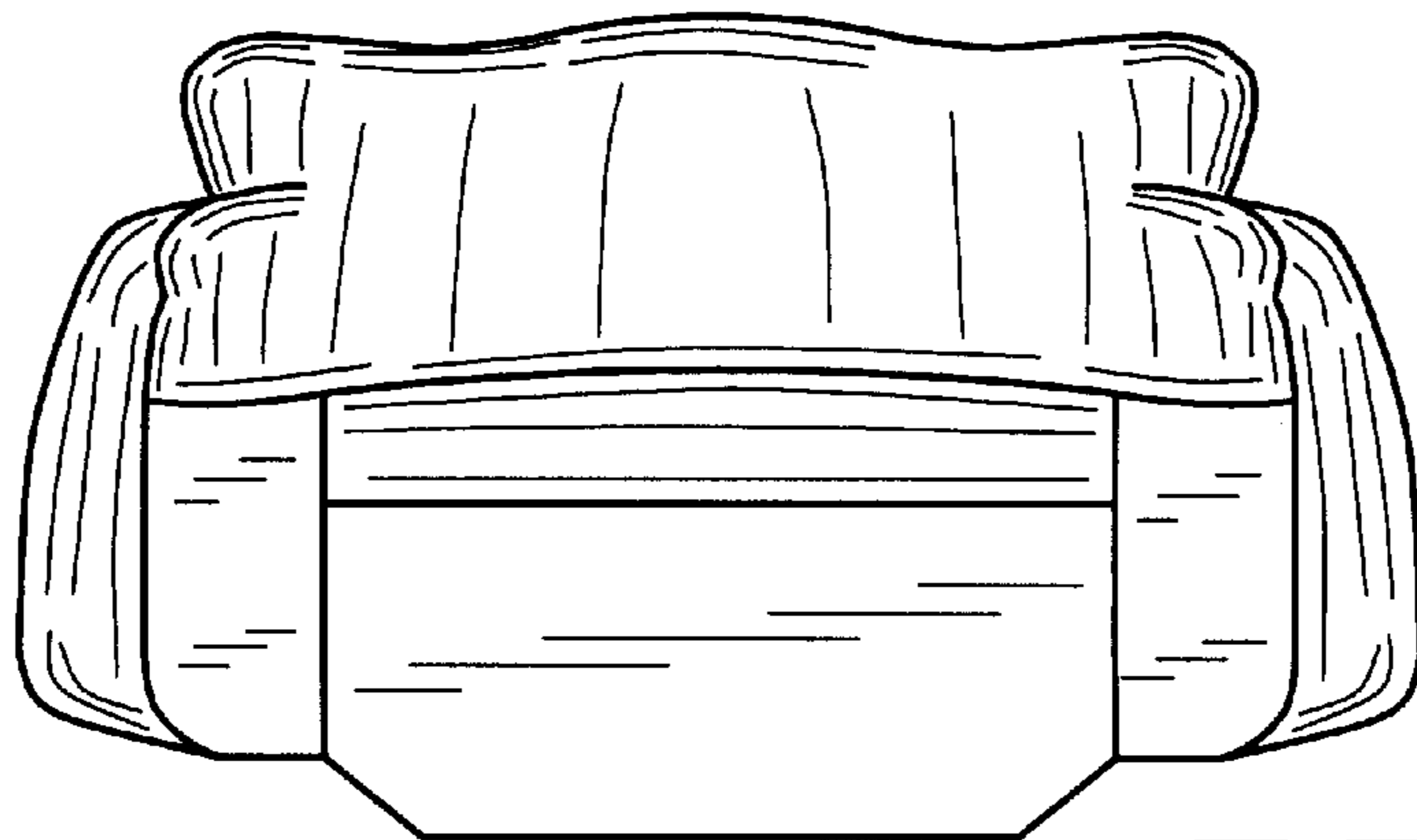


FIG. 7

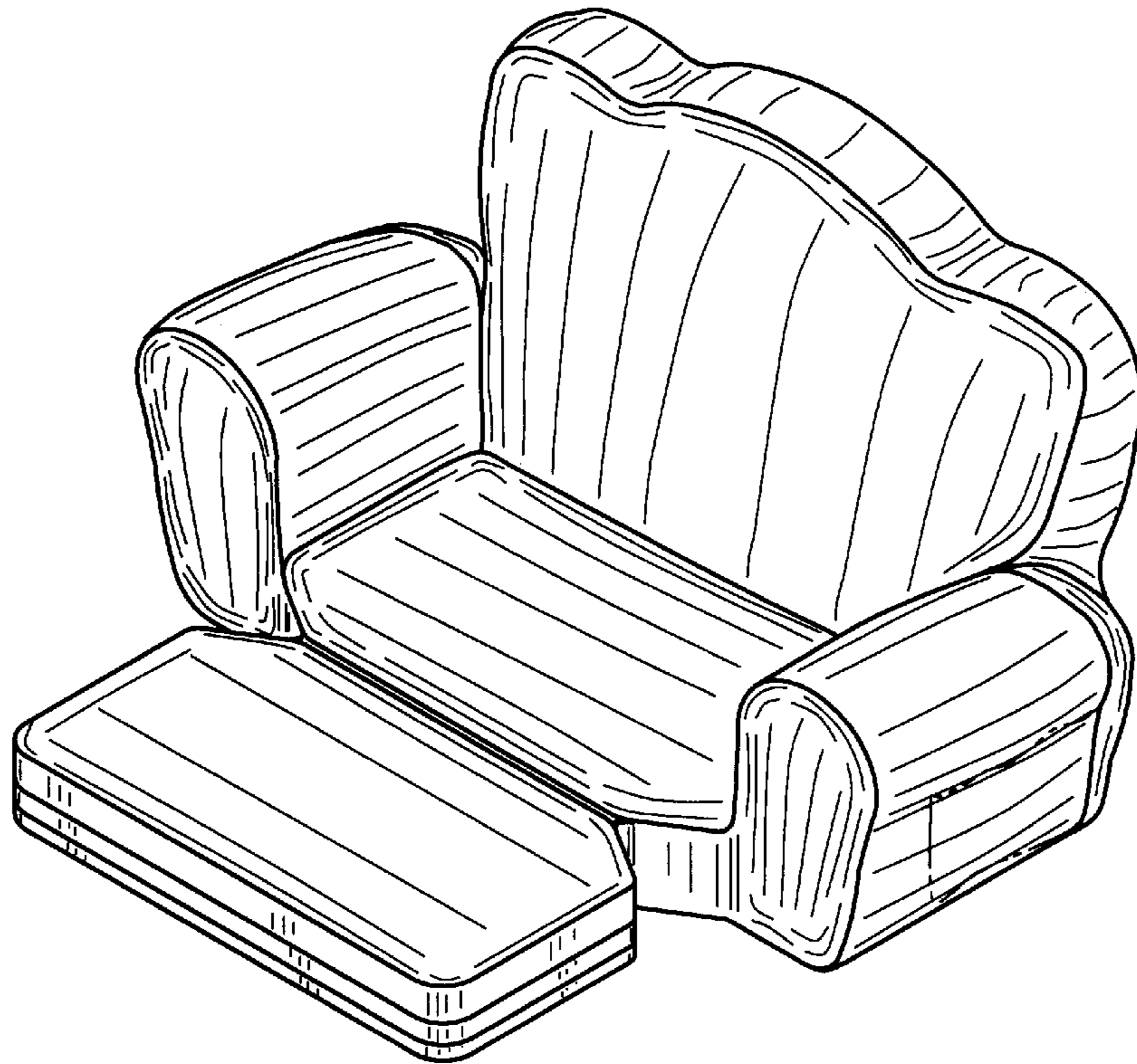


FIG. 8

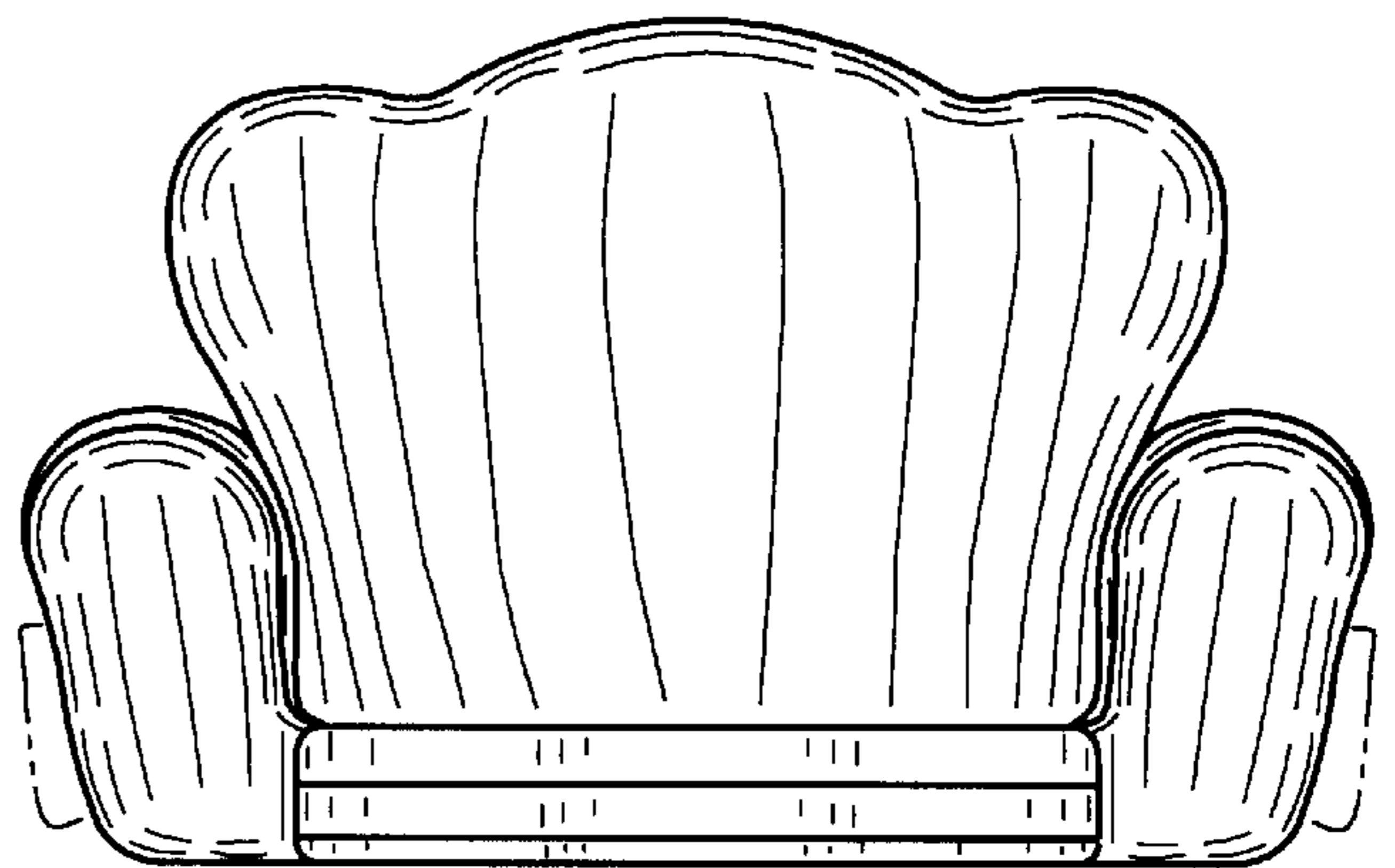


FIG. 9

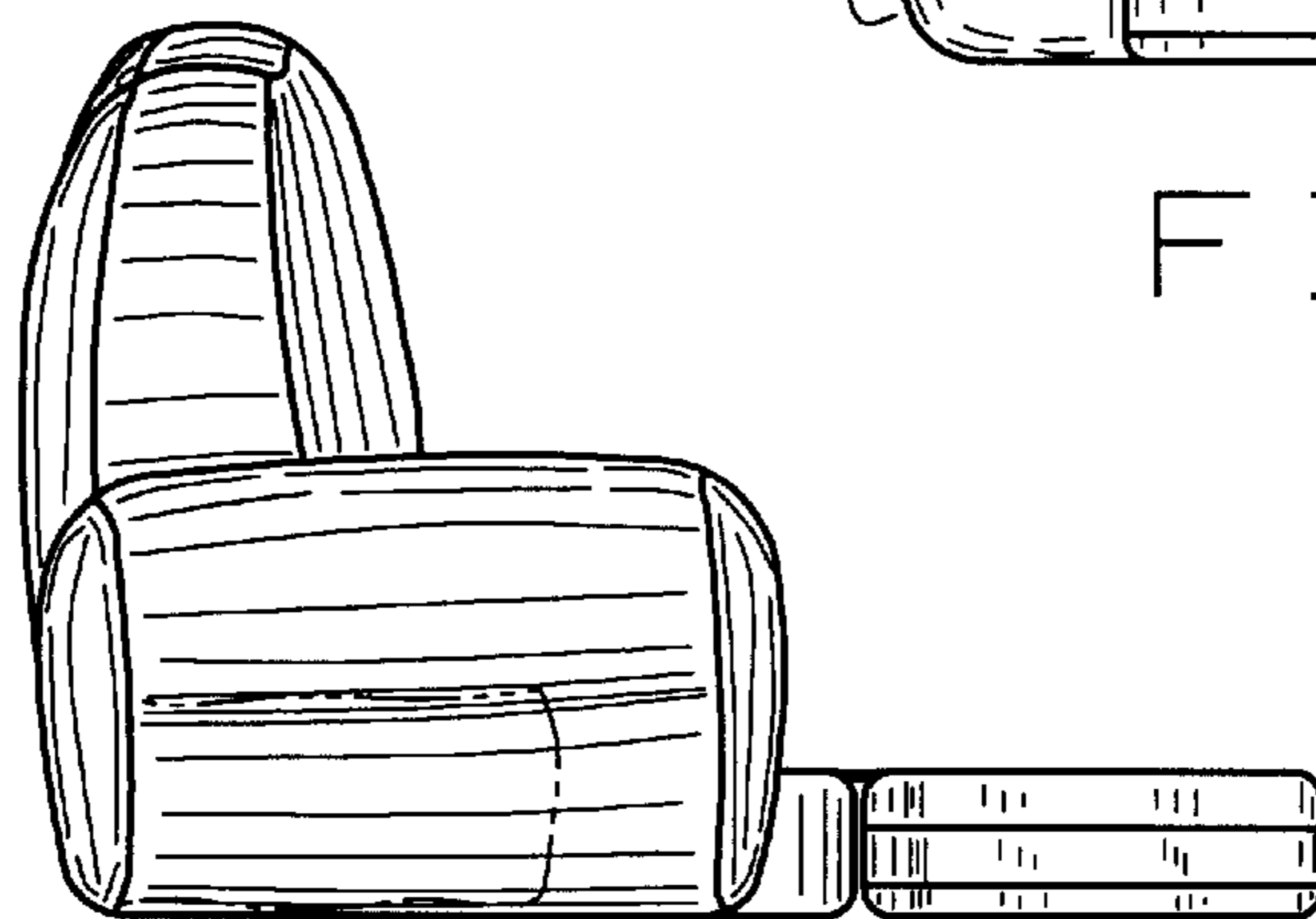


FIG. 10

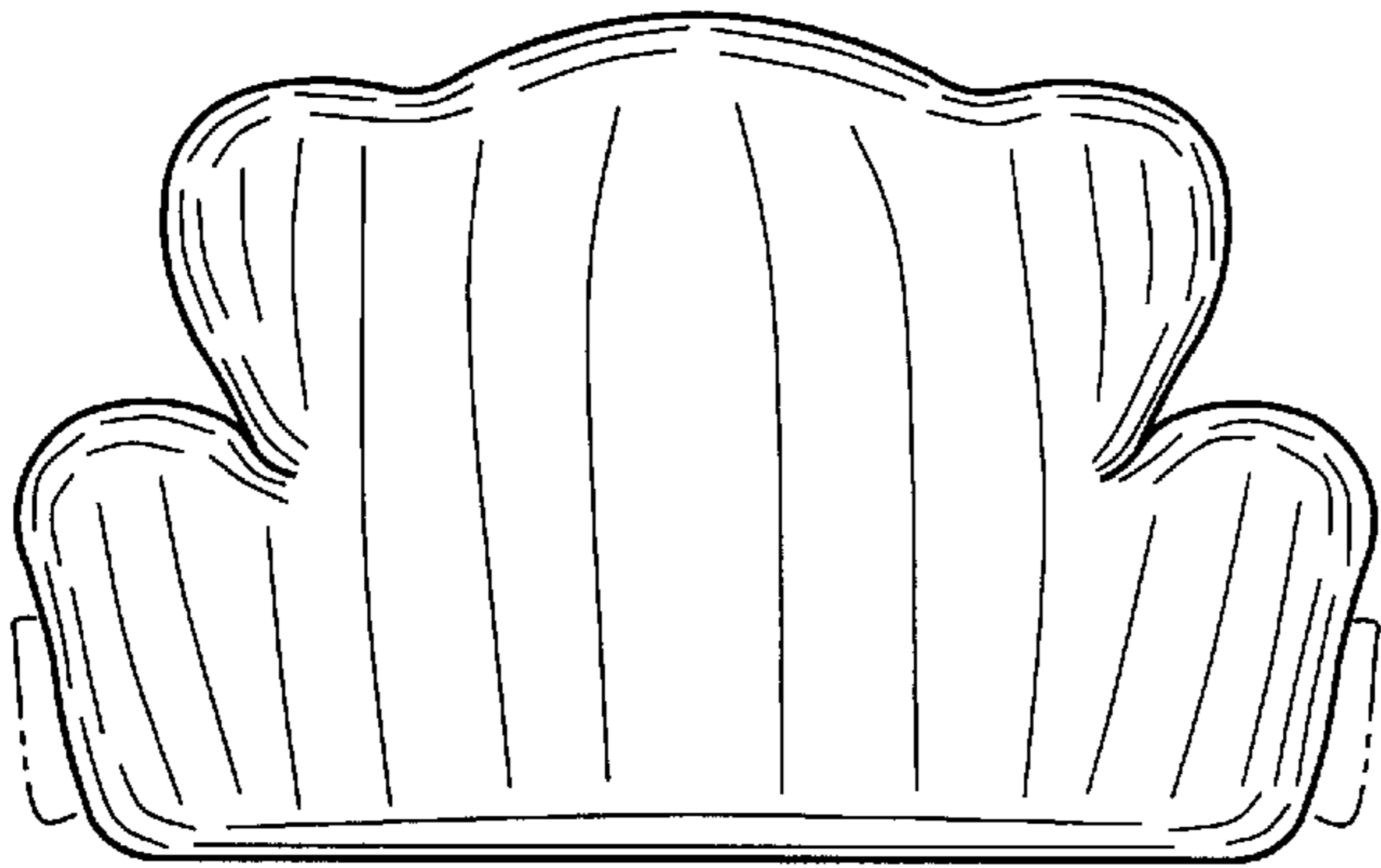


FIG. 11

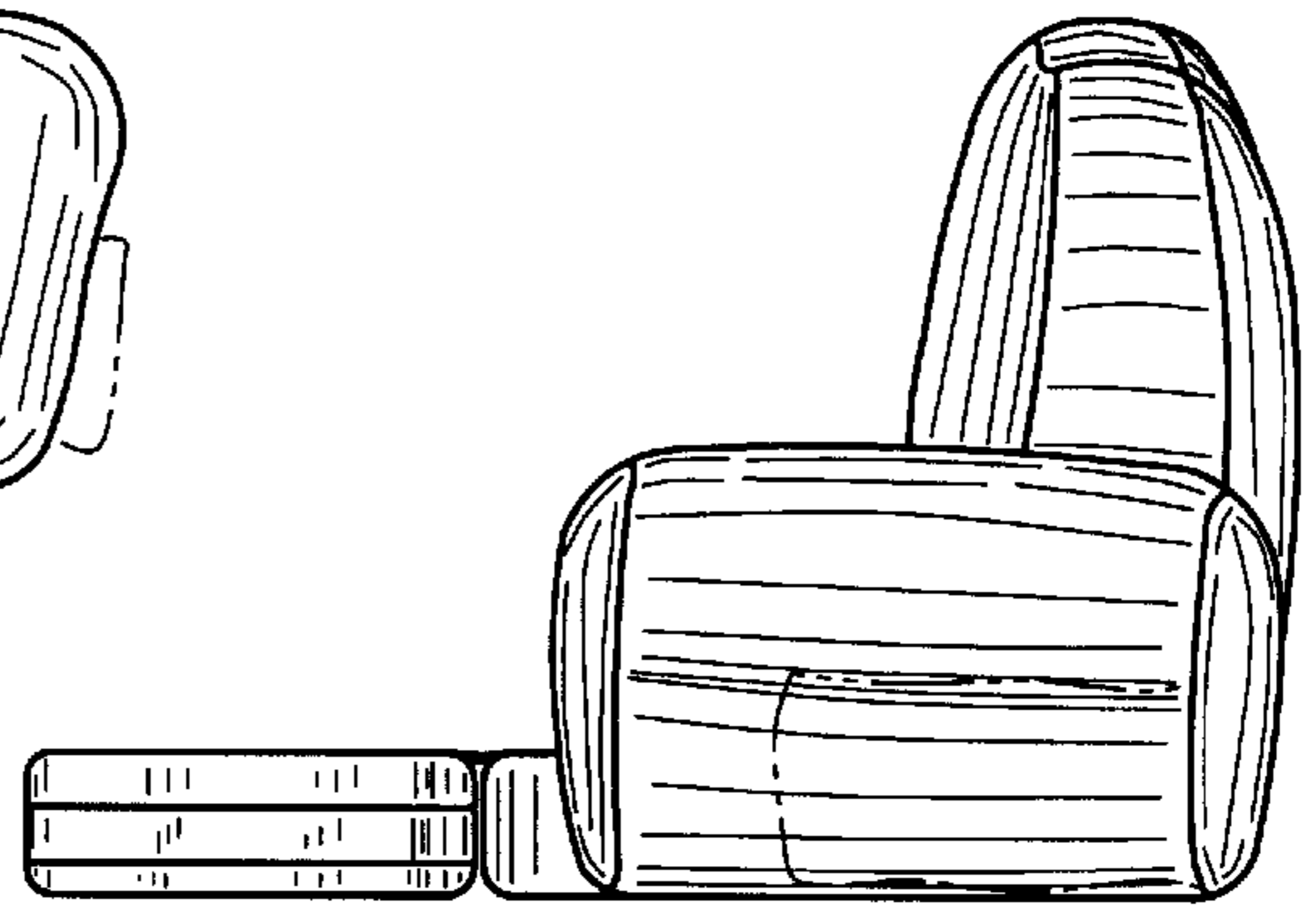


FIG. 12

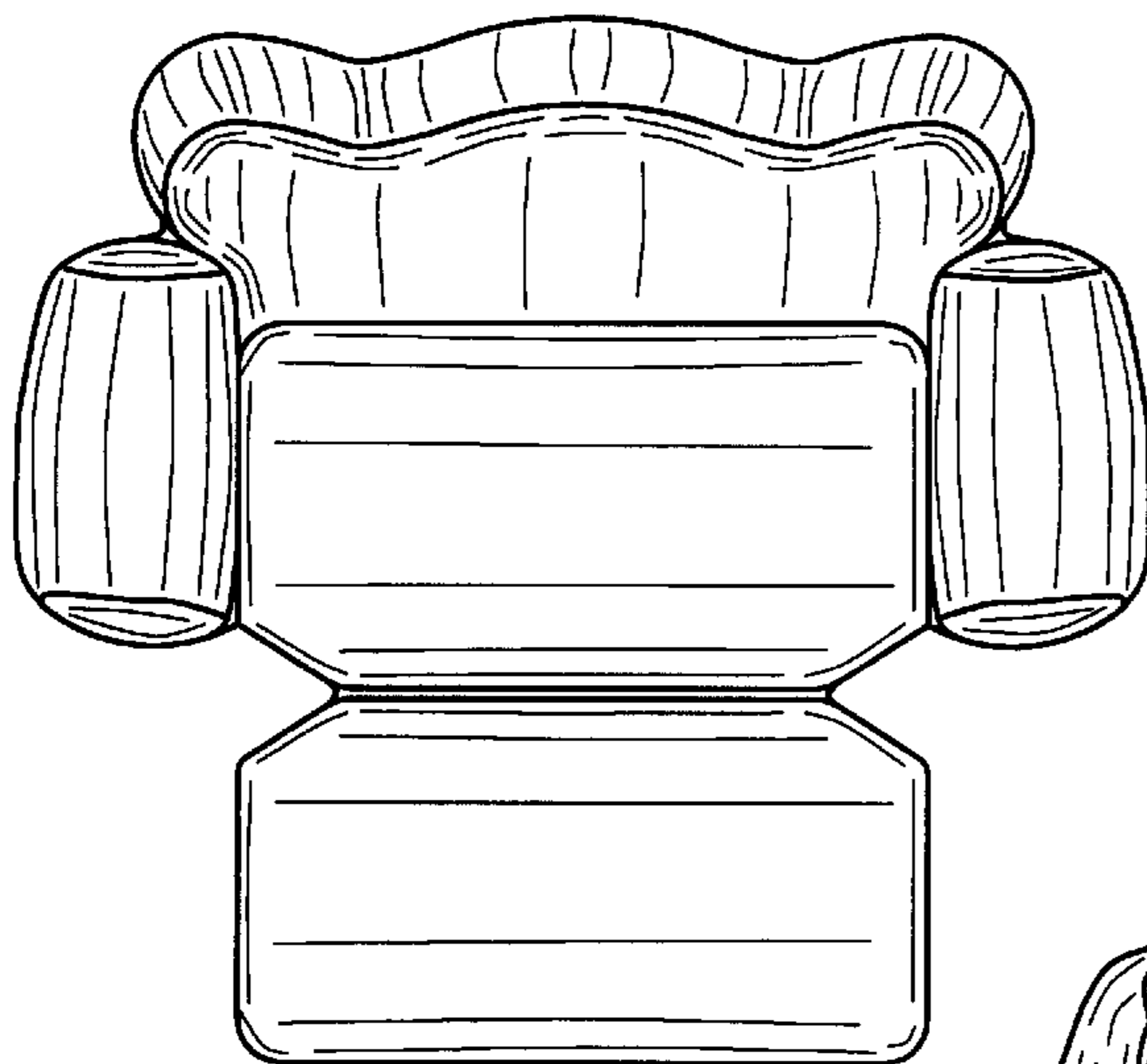


FIG. 13

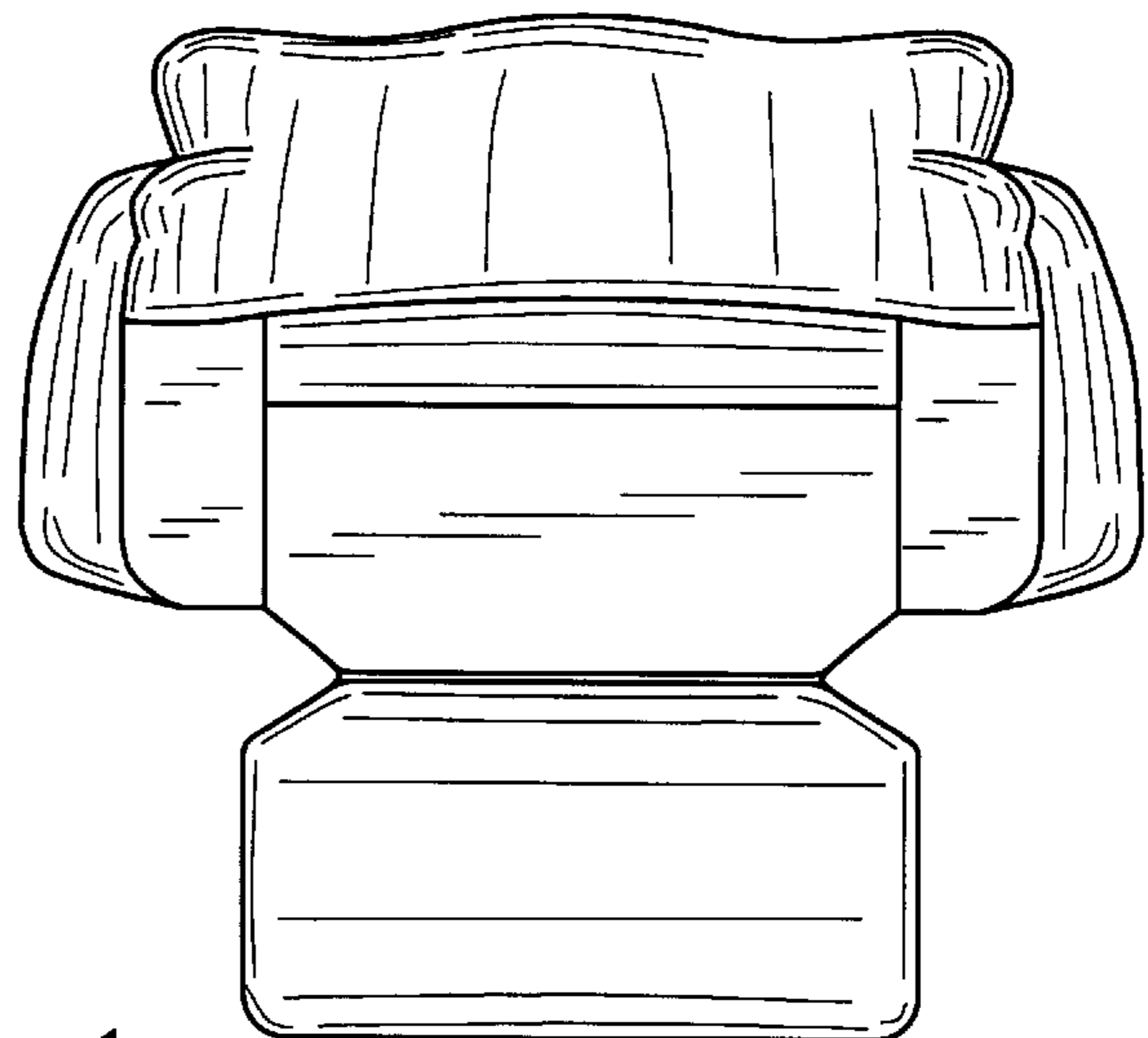


FIG. 14