



US00D457906S

(12) **United States Design Patent**  
**Kitera**

(10) **Patent No.:** **US D457,906 S**

(45) **Date of Patent:** **\*\* May 28, 2002**

(54) **35MM CAMERA**

(75) **Inventor:** **Jun Kitera, Tokyo (JP)**

(73) **Assignee:** **Asahi Kogaku Kogyo Kabushiki Kaisha, Tokyo (JP)**

(\*\*) **Term:** **14 Years**

(21) **Appl. No.:** **29/145,682**

(22) **Filed:** **Jul. 30, 2001**

(30) **Foreign Application Priority Data**

Jan. 31, 2001 (JP) ..... 2001-002087

(51) **LOC (7) Cl.** ..... **16-01**

(52) **U.S. Cl.** ..... **D16/209**

(58) **Field of Search** ..... D16/200-206,  
D16/208, 209, 217, 218; 396/535-541

(56) **References Cited**

**U.S. PATENT DOCUMENTS**

- D381,350 S \* 7/1997 Hamamura ..... D16/209
- D412,004 S \* 7/1999 Hamamura ..... D16/209
- D416,034 S \* 11/1999 Hayamizu ..... D16/209

- D418,854 S \* 1/2000 Hayashi ..... D16/209
- D431,830 S \* 10/2000 Koinuma ..... D16/209
- D434,786 S \* 12/2000 Chin ..... D16/209
- 2001/0026689 A1 \* 10/2001 Ito ..... 396/535

\* cited by examiner

*Primary Examiner*—Adir Aronovich

(74) *Attorney, Agent, or Firm*—Sughrue Mion, PLLC

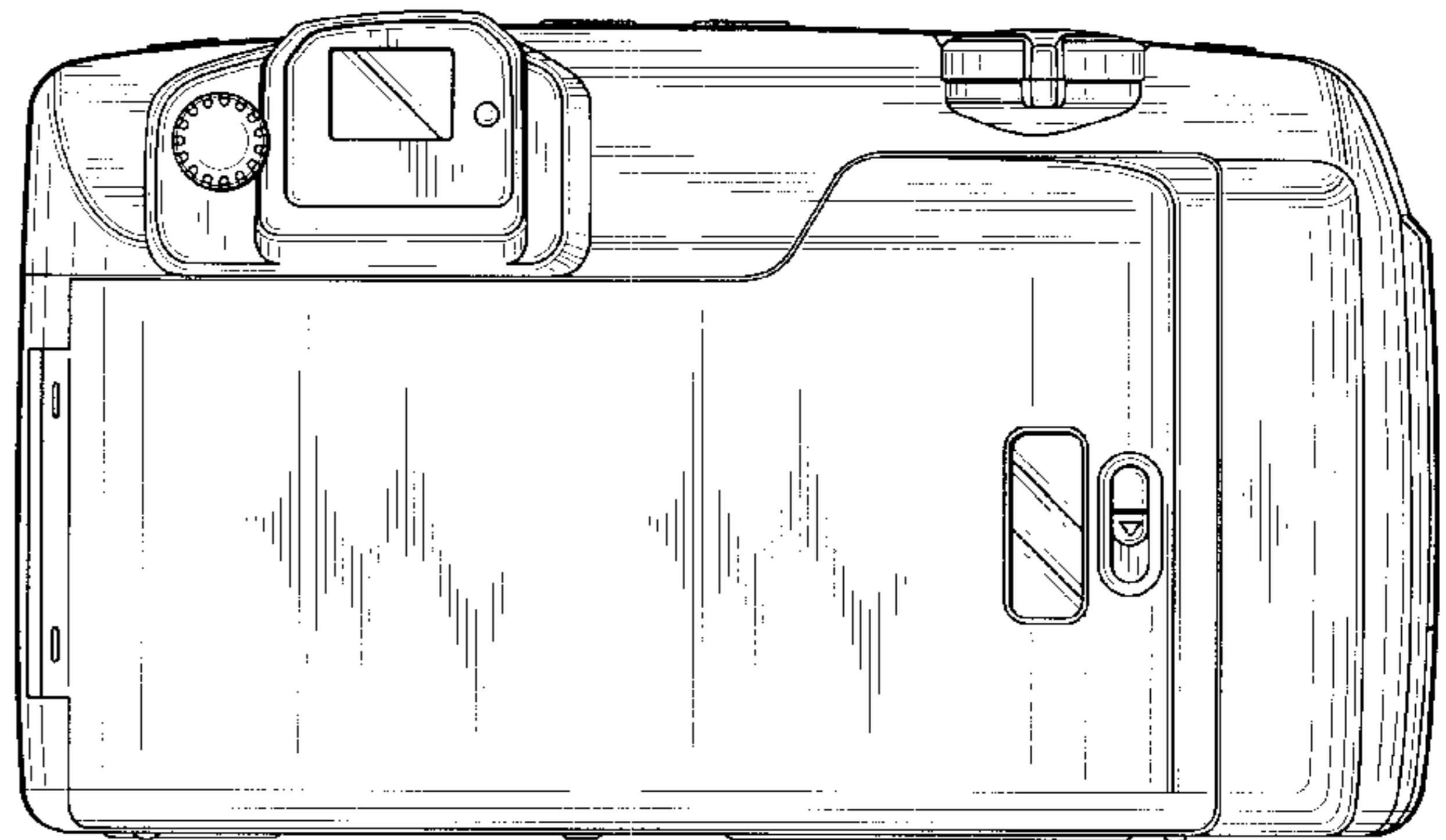
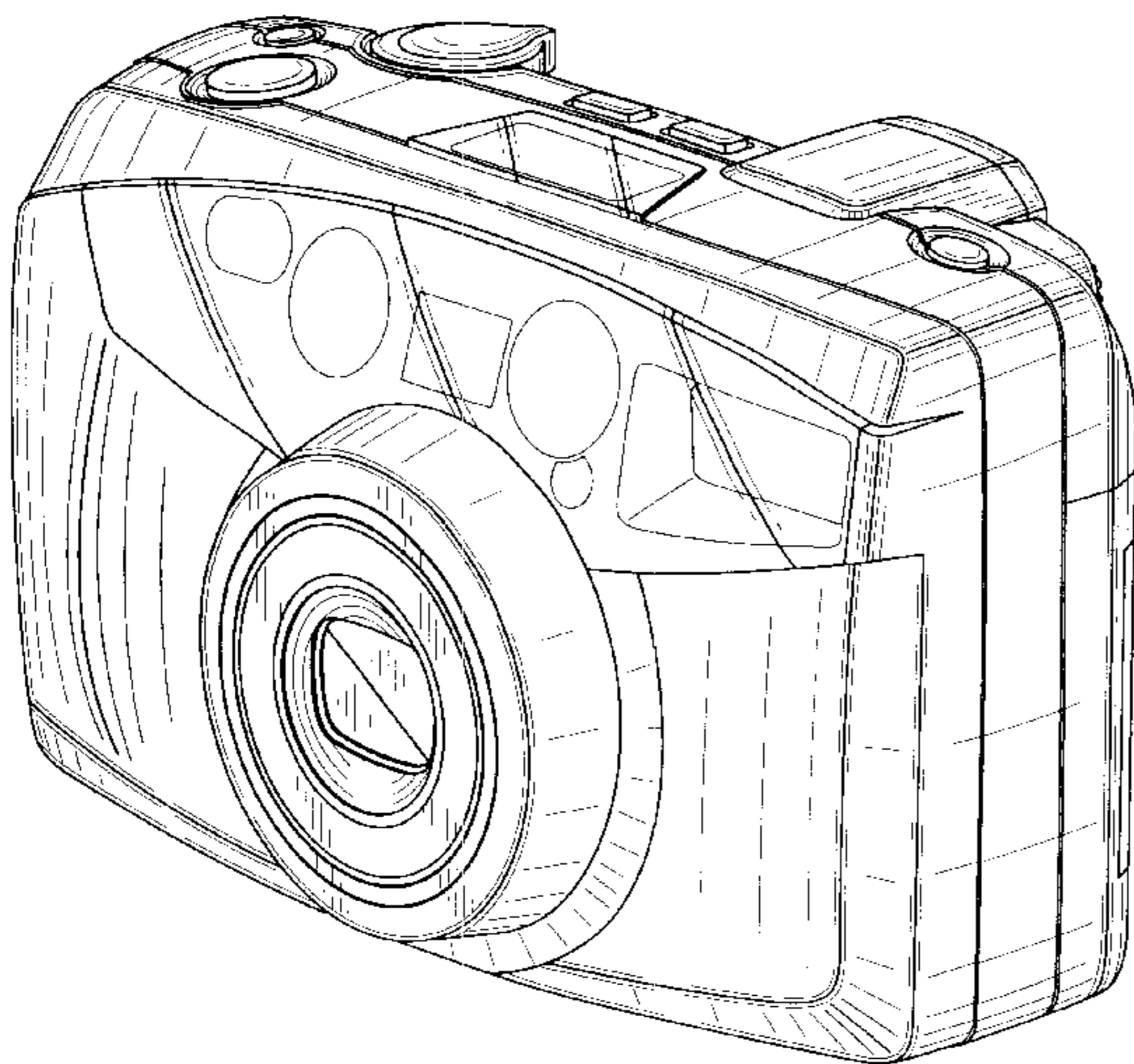
(57) **CLAIM**

The ornamental design for a 35mm camera, as shown and described.

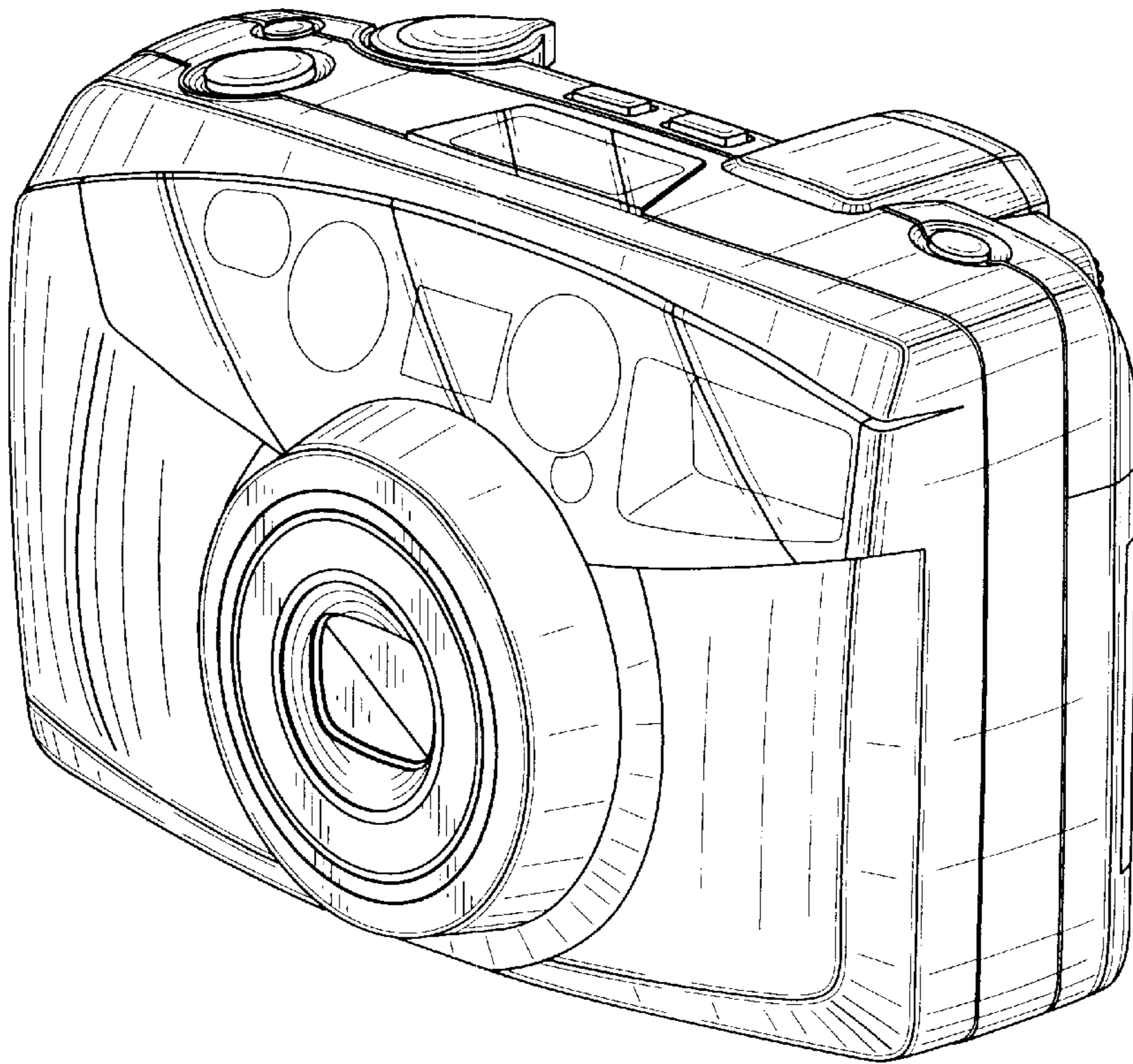
**DESCRIPTION**

FIG. 1 is a perspective view of the front, top and right side of a 35mm camera showing my new design;  
 FIG. 2 is a front elevational view thereof;  
 FIG. 3 is a top plan view thereof;  
 FIG. 4 is a left side elevational view thereof;  
 FIG. 5 is a right side elevational view thereof;  
 FIG. 6 is a rear elevational view thereof;  
 FIG. 7 is a bottom plan view thereof; and,  
 FIG. 8 is a view similar to FIG. 1 with the lens extended.

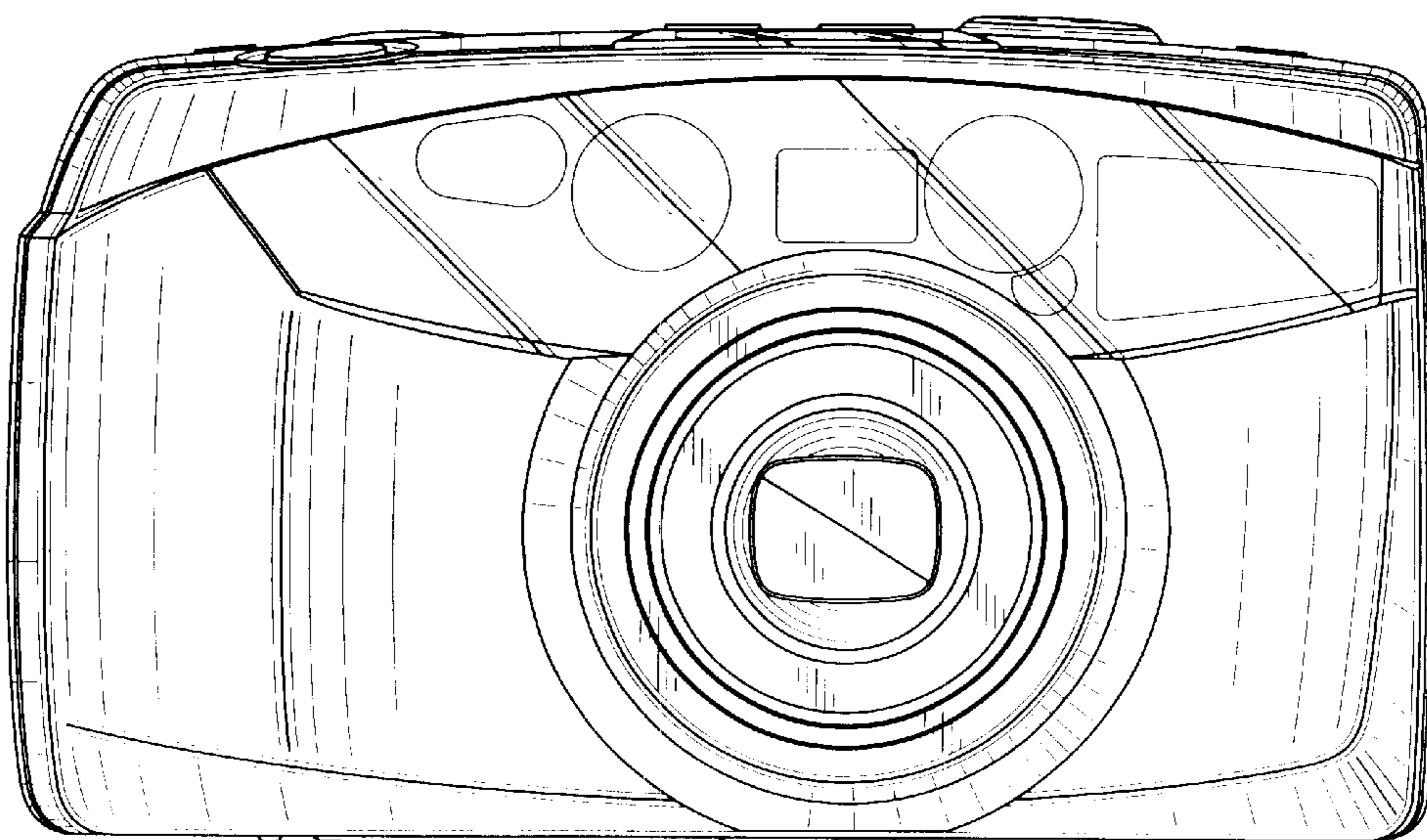
**1 Claim, 4 Drawing Sheets**



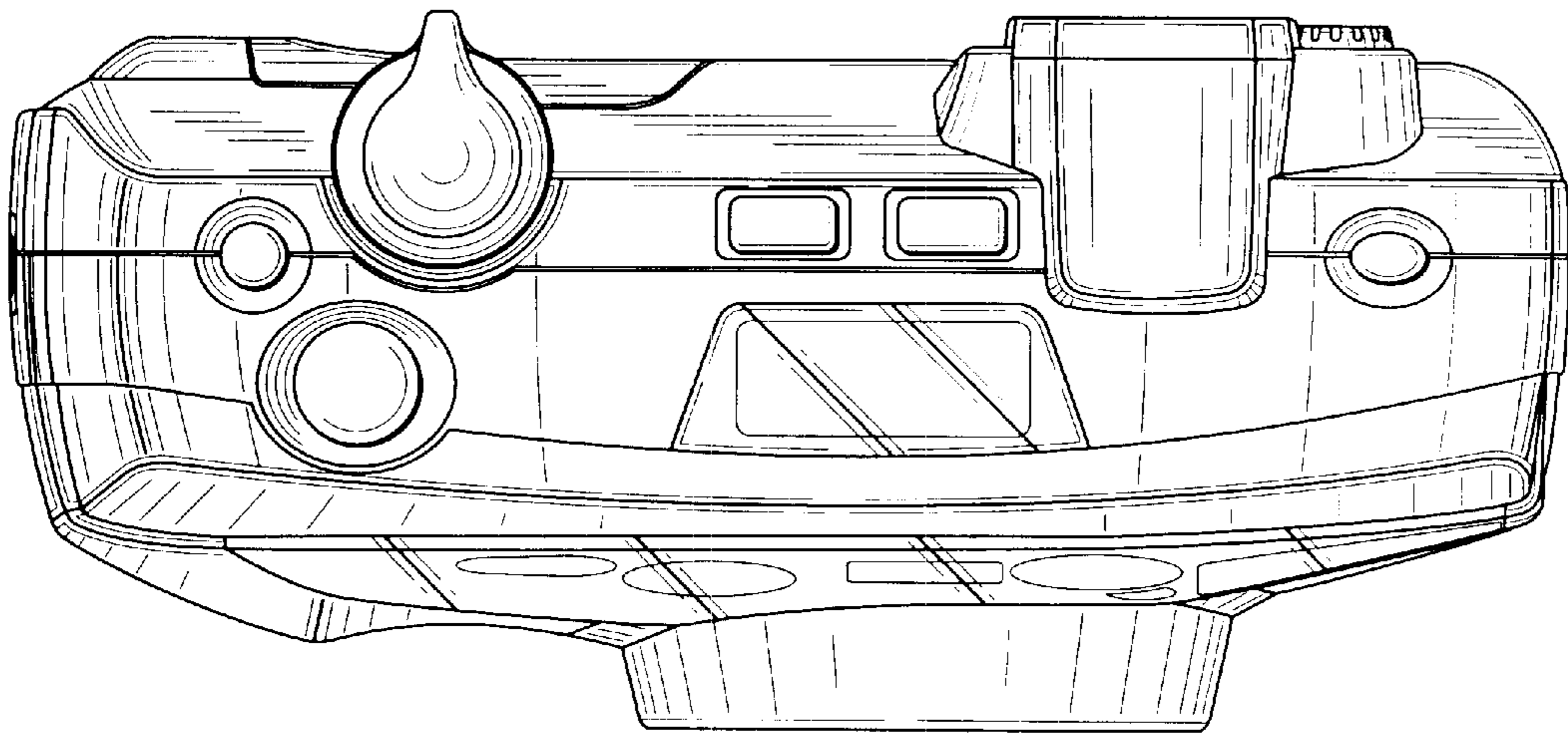
*FIG. 1*



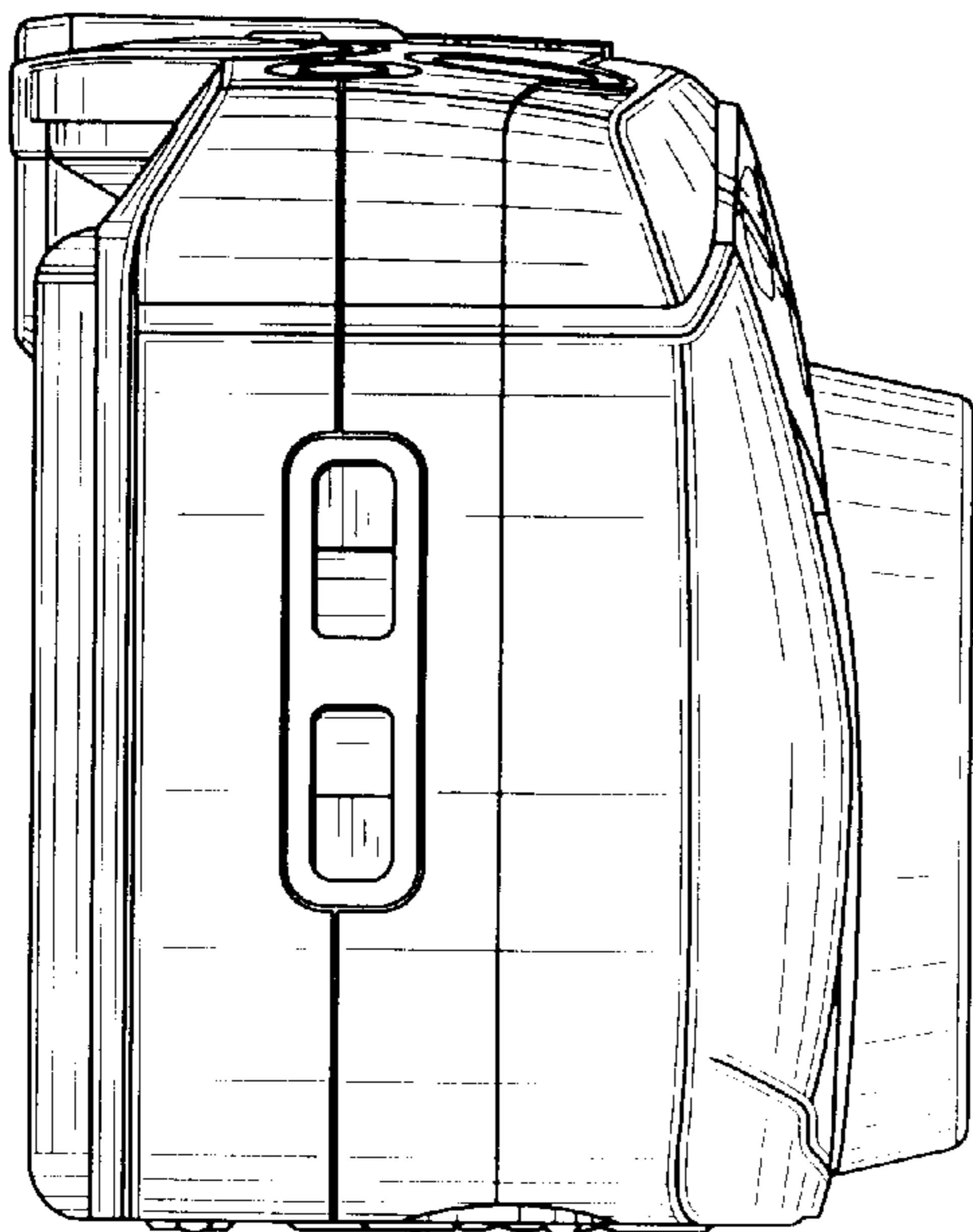
*FIG. 2*



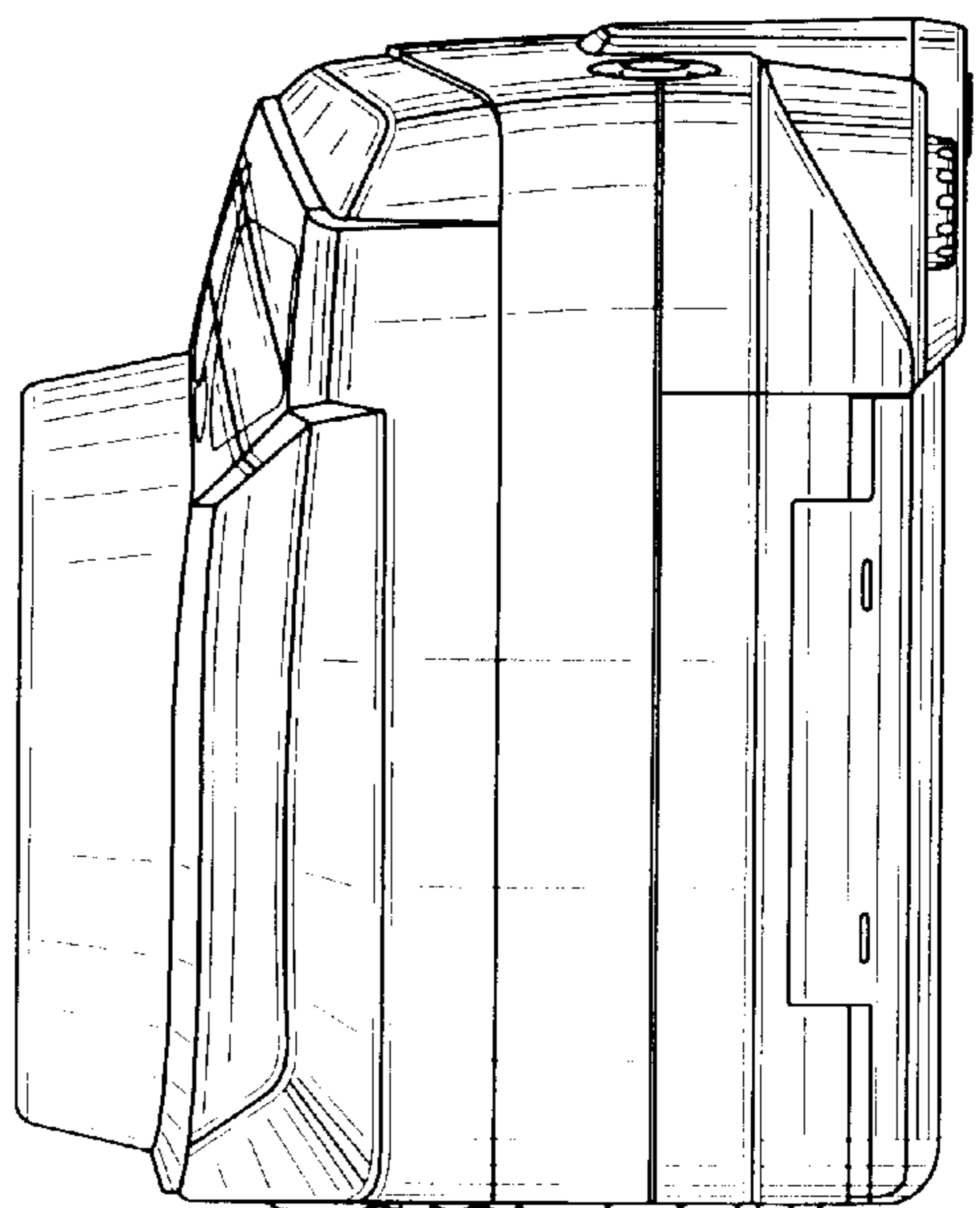
*FIG. 3*



*FIG. 4*

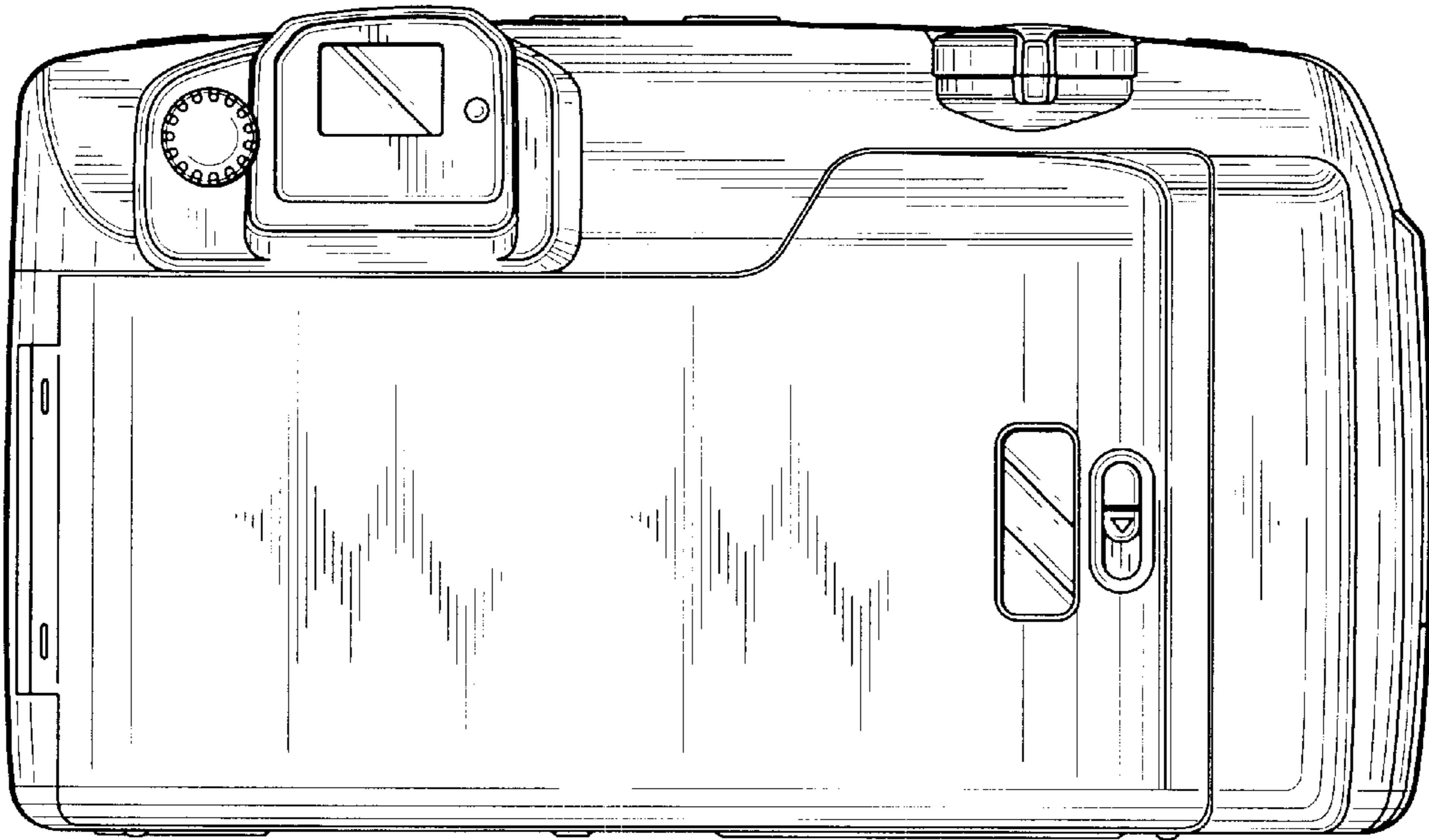


*FIG. 5*

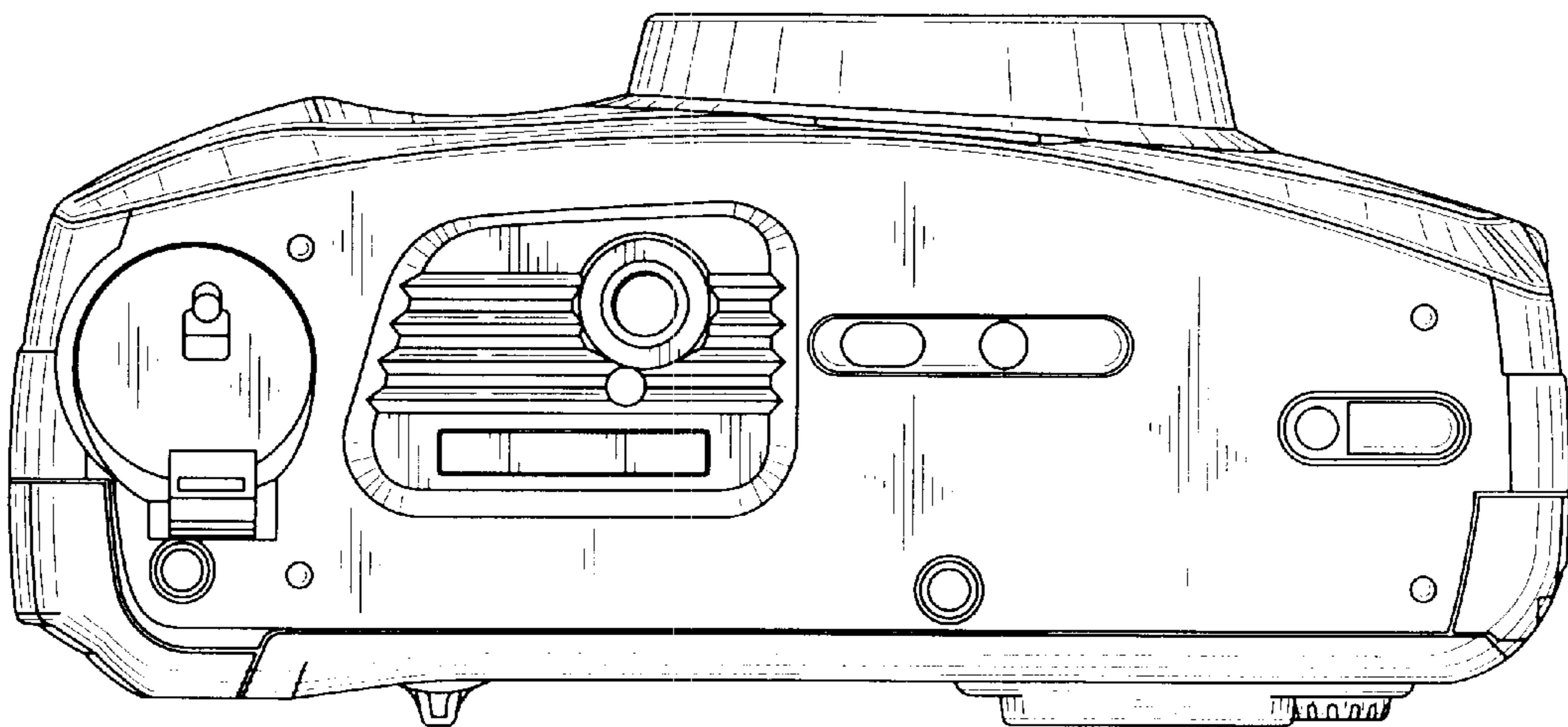




*FIG. 6*



*FIG. 7*



*FIG. 8*

