



US00D457905S

(12) **United States Design Patent**
Watanabe

(10) **Patent No.:** **US D457,905 S**

(45) **Date of Patent:** **** May 28, 2002**

(54) **35MM CAMERA**

(75) Inventor: **Akira Watanabe**, Saitama (JP)

(73) Assignee: **Asahi Kogaku Kogyo Kabushiki Kaisha**, Tokyo (JP)

(**) Term: **14 Years**

(21) Appl. No.: **29/145,614**

(22) Filed: **Jul. 27, 2001**

(30) **Foreign Application Priority Data**

Jan. 31, 2001 (JP) 2001-002091

(51) **LOC (7) Cl.** **16-01**

(52) **U.S. Cl.** **D16/209**

(58) **Field of Search** D16/200-206,
D16/208, 209, 217, 218; 396/535-541

(56) **References Cited**

U.S. PATENT DOCUMENTS

- D381,350 S * 7/1997 Hamamura D16/209
- D412,004 S * 7/1999 Hamamura D16/209
- D416,034 S * 11/1999 Hayamizu D16/209

- D418,854 S * 1/2000 Hayashi D16/209
- D431,830 S * 10/2000 Koinuma D16/209
- D434,786 S * 12/2000 Chin D16/209
- 2001/0026689 A1 * 10/2001 Ito 396/535

* cited by examiner

Primary Examiner—Adir Aronovich

(74) *Attorney, Agent, or Firm*—Sughrue Mion, PLLC

(57) **CLAIM**

The ornamental design for a 35mm camera, as shown and described.

DESCRIPTION

FIG. 1 is a perspective view of the top, front and right side of a 35mm camera showing my new design;
 FIG. 2 is a front elevational view thereof;
 FIG. 3 is a top plan view thereof;
 FIG. 4 is a left side elevational view thereof;
 FIG. 5 is a right side elevational view thereof;
 FIG. 6 is a rear elevational view thereof;
 FIG. 7 is a bottom plan view thereof; and,
 FIG. 8 is a perspective view similar to FIG. 1 with the lens extended.

1 Claim, 4 Drawing Sheets

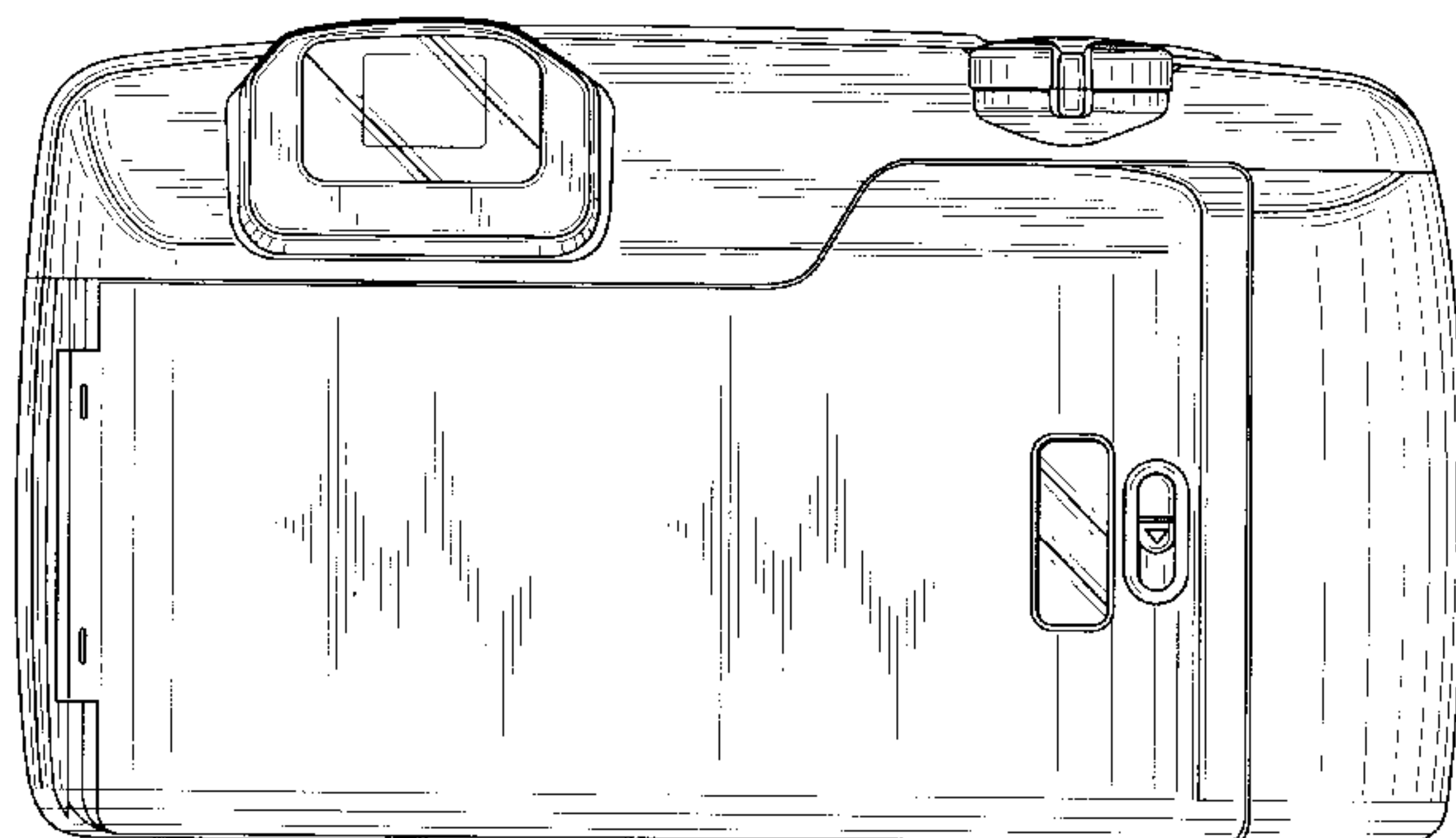
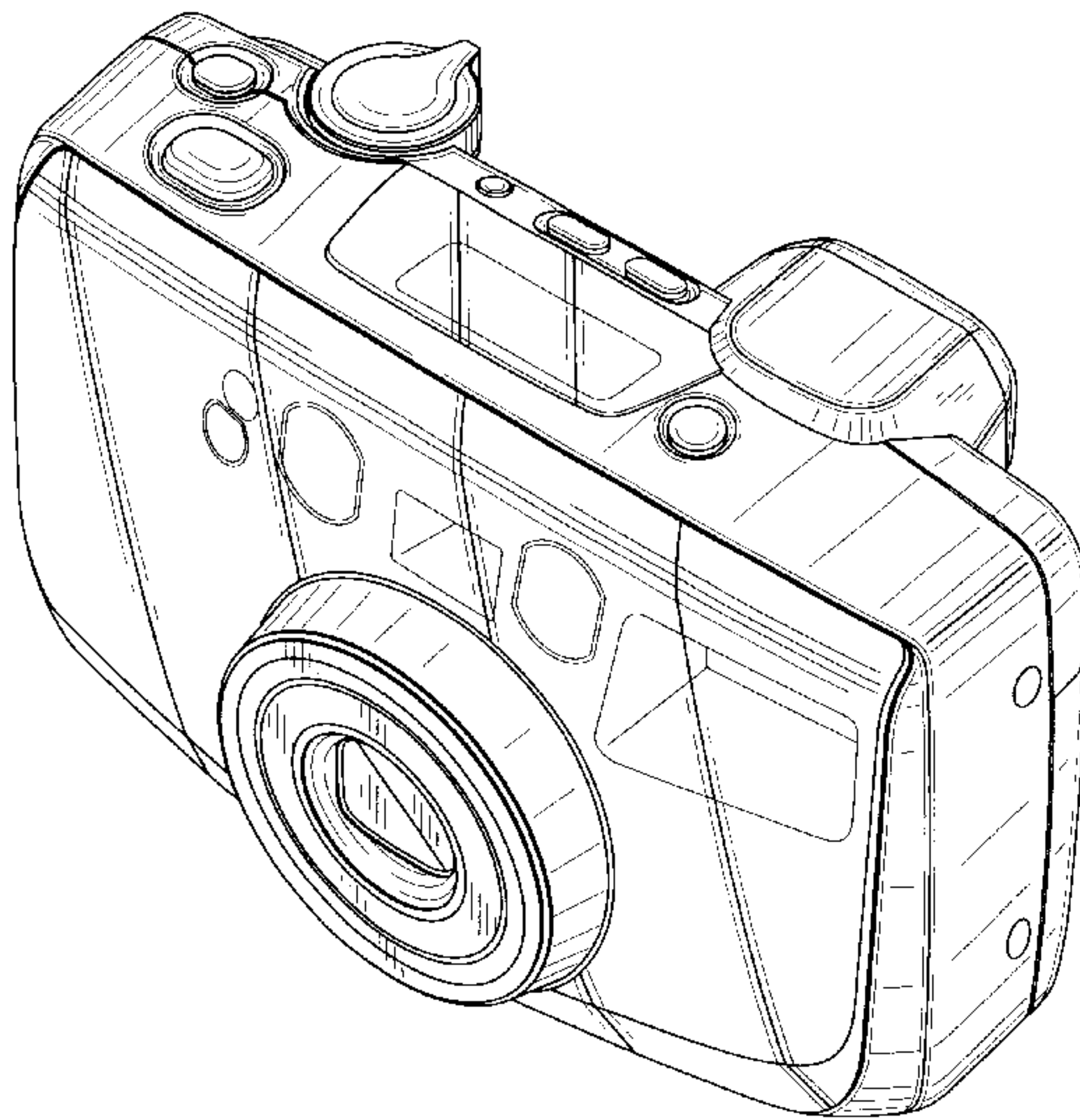


FIG. 1

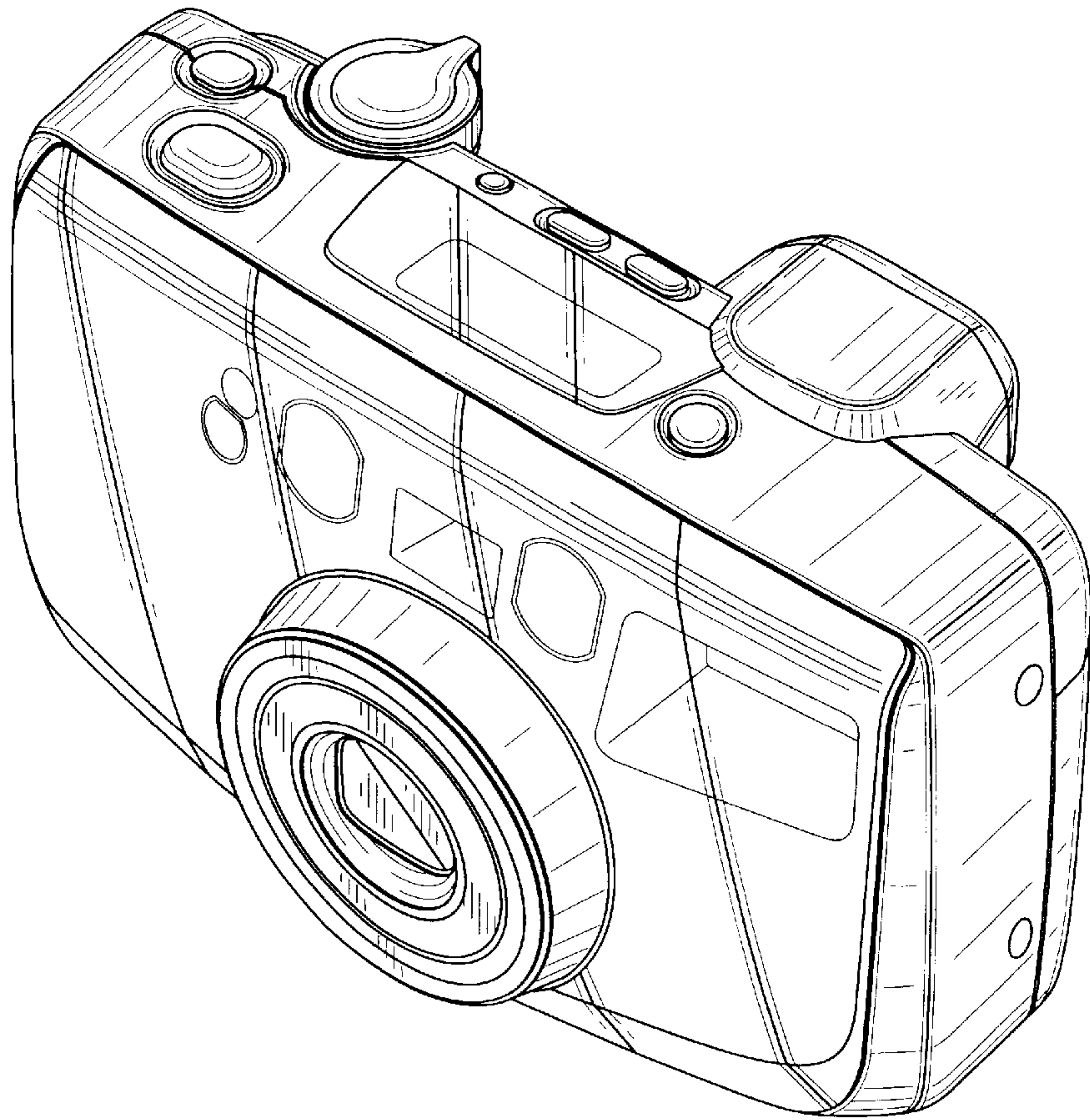


FIG. 2

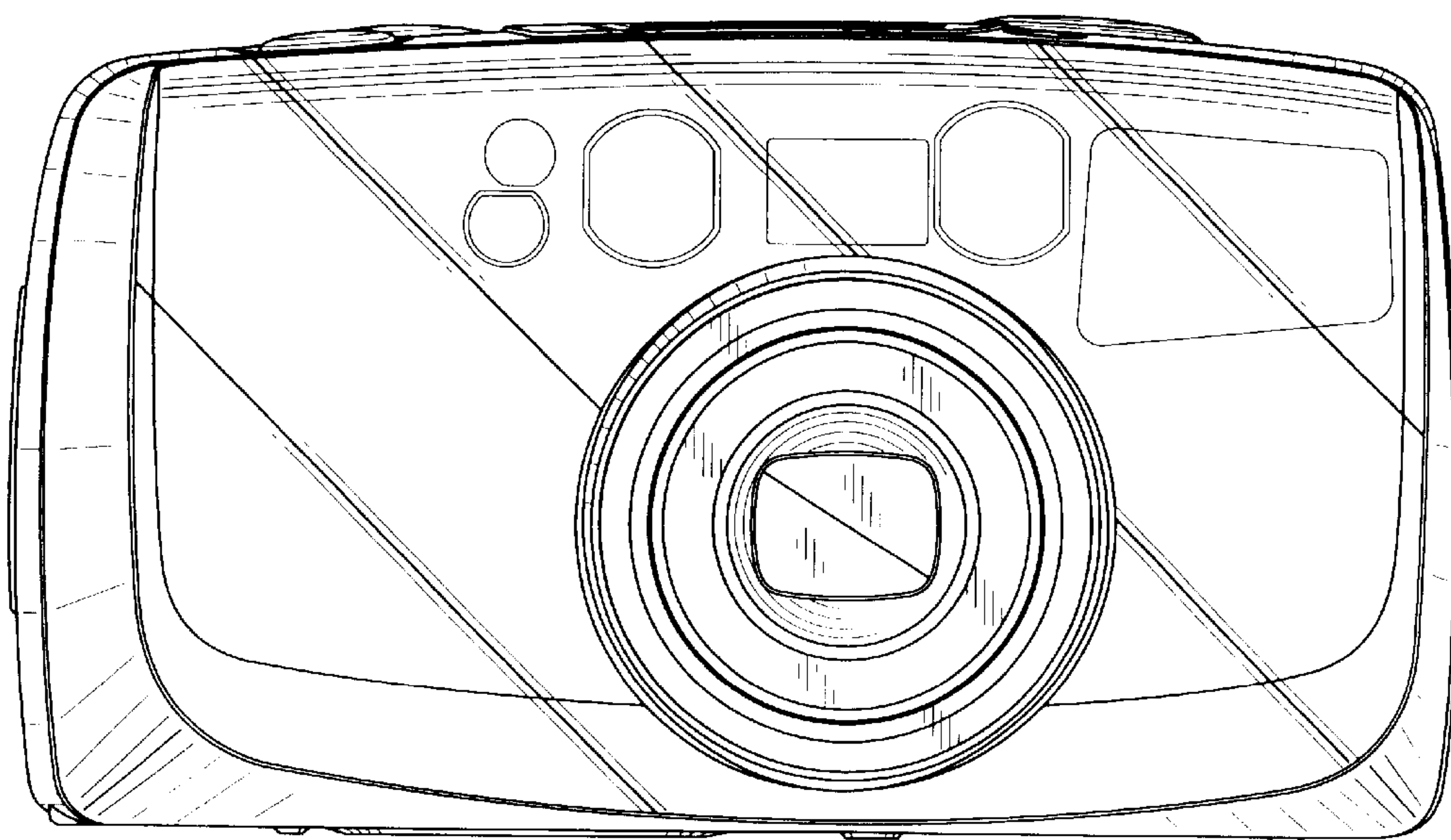


FIG. 3

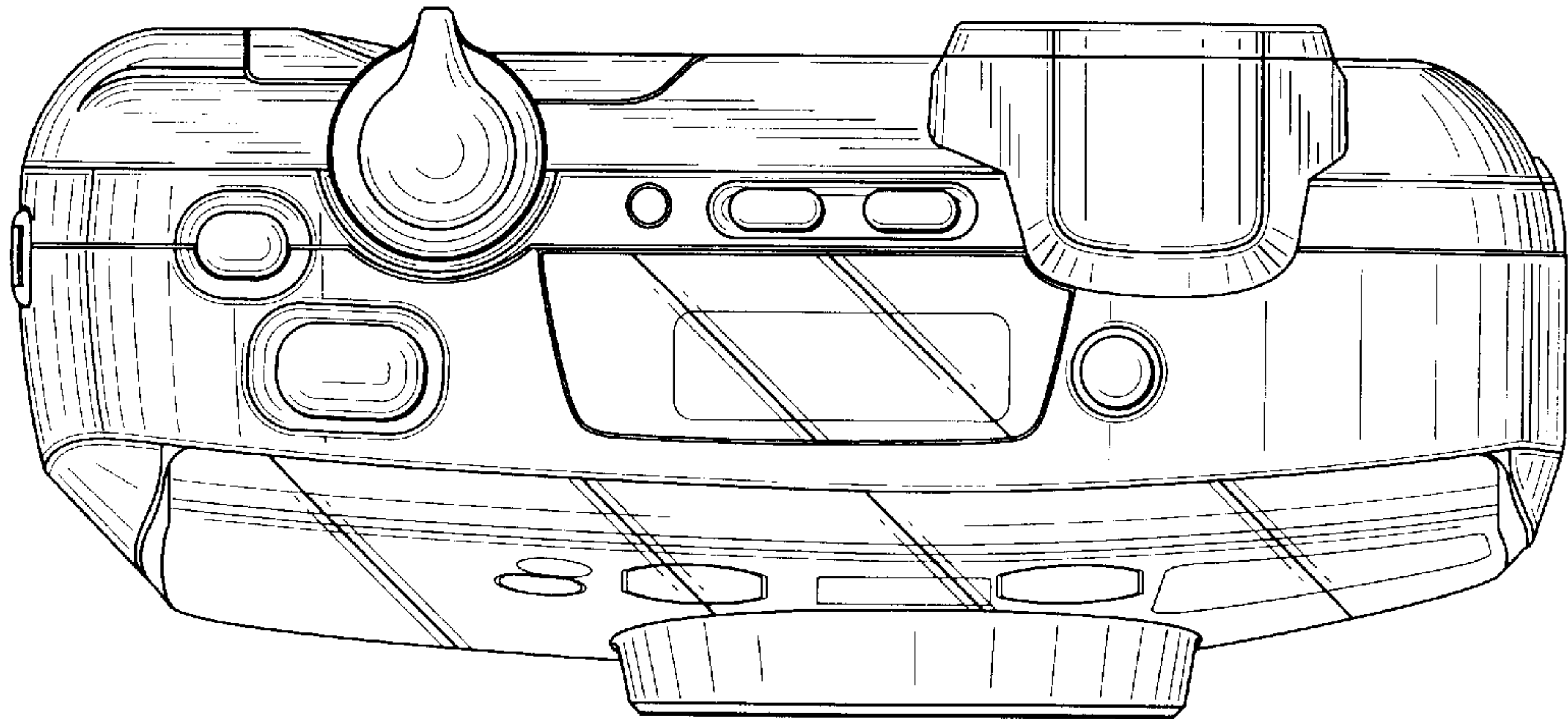


FIG. 4

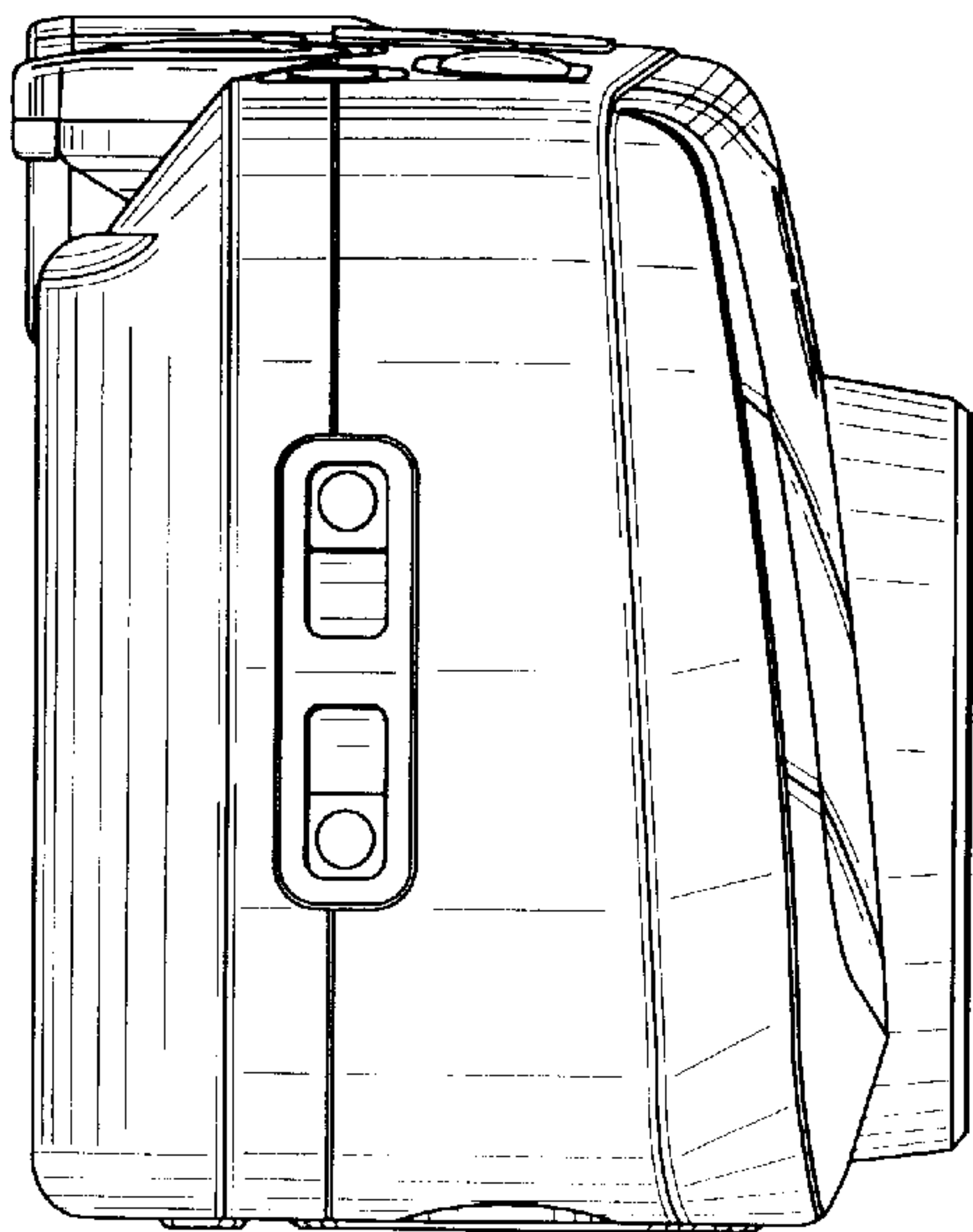


FIG. 5

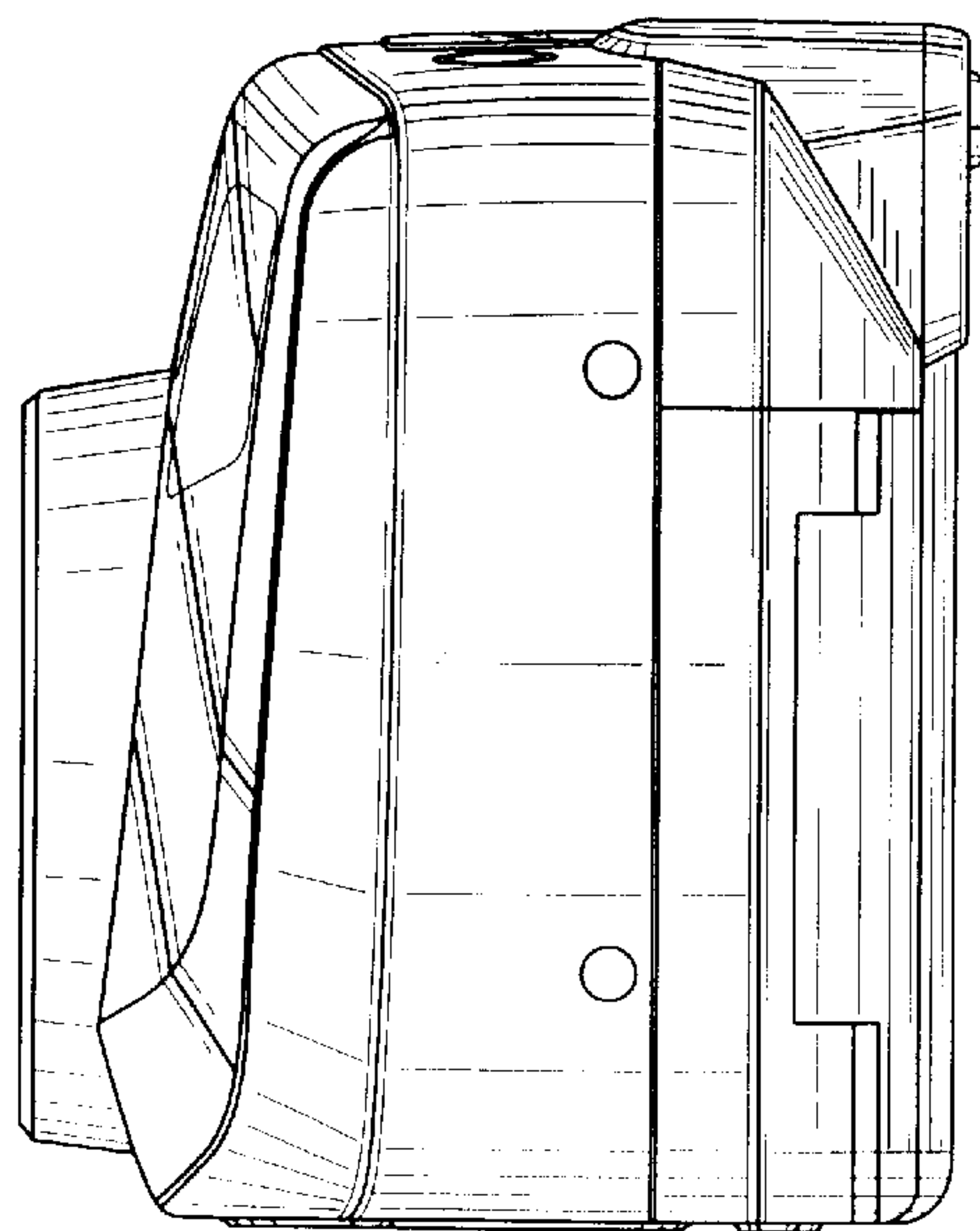


FIG. 6

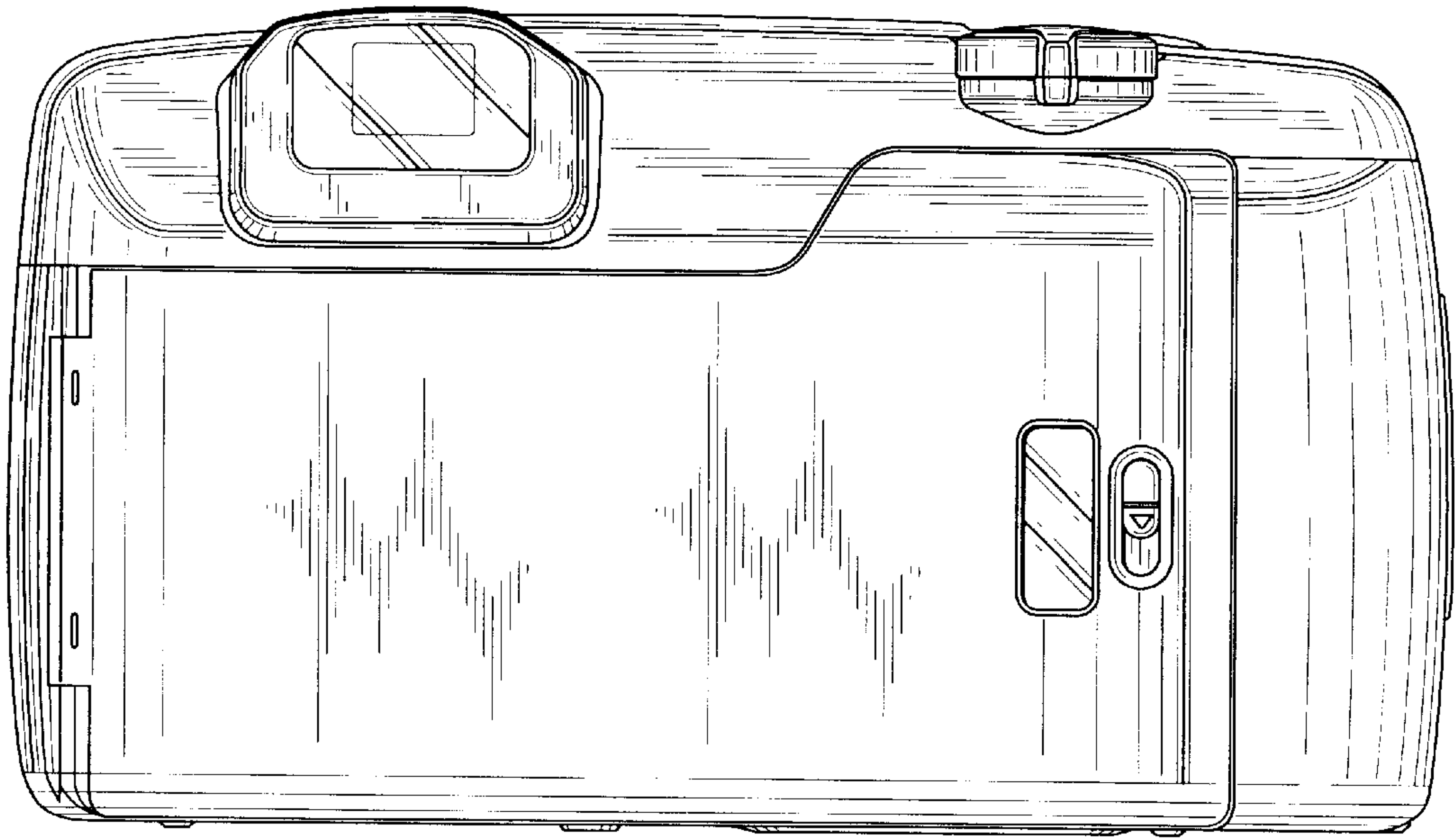


FIG. 7

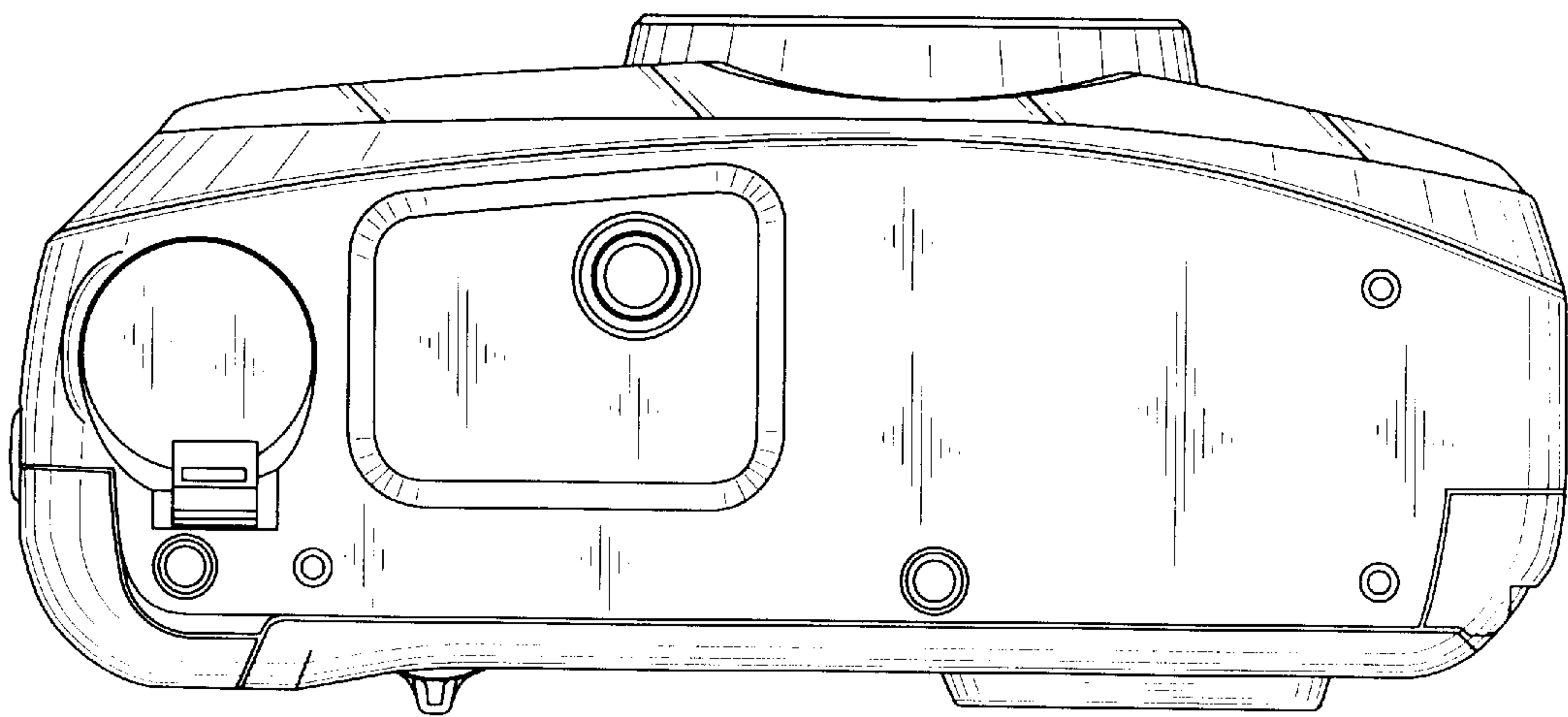


FIG. 8

