



US00D457904S

(12) **United States Design Patent**  
Toste et al.

(10) **Patent No.:** **US D457,904 S**

(45) **Date of Patent:** **\*\* May 28, 2002**

(54) **HEAVY DUTY PENDANT FOR A DOME CAMERA SYSTEM**

(75) Inventors: **David L. A. Toste; Josh Houser**, both of Fresno; **Terrance J. Traser**, Clovis, all of CA (US)

(73) Assignee: **Pelco**, Clovis, CA (US)

(\*\*) Term: **14 Years**

(21) Appl. No.: **29/139,519**

(22) Filed: **Mar. 30, 2001**

(51) **LOC (7) Cl.** ..... **16-01**

(52) **U.S. Cl.** ..... **D16/203**

(58) **Field of Search** ..... D16/200-204; 348/143, 151, 373-376; 396/427, 535-541

(56) **References Cited**

**U.S. PATENT DOCUMENTS**

3,638,502 A	2/1972	Leavitt et al.	
3,739,703 A	6/1973	Behles	
D248,305 S	* 6/1978	Scott	..... D16/203
4,833,534 A	5/1989	Paff et al.	
4,920,367 A	4/1990	Pagano	

D307,759 S	* 5/1990	Pagano	..... D16/203
4,972,633 A	11/1990	Wright	
5,181,120 A	1/1993	Hickey et al.	
D349,714 S	8/1994	Hasegawa	..... D16/203
5,627,616 A	5/1997	Sergeant et al.	
5,689,304 A	11/1997	Jones et al.	
D414,504 S	* 9/1999	Madden	..... D16/203
D415,509 S	10/1999	Hiraguchi	..... D16/203
6,061,087 A	5/2000	Schieltz et al.	
6,268,882 B1	* 7/2001	Elberbaum	..... 348/143

\* cited by examiner

*Primary Examiner*—Adir Aronovich

(74) *Attorney, Agent, or Firm*—Mark D. Miller

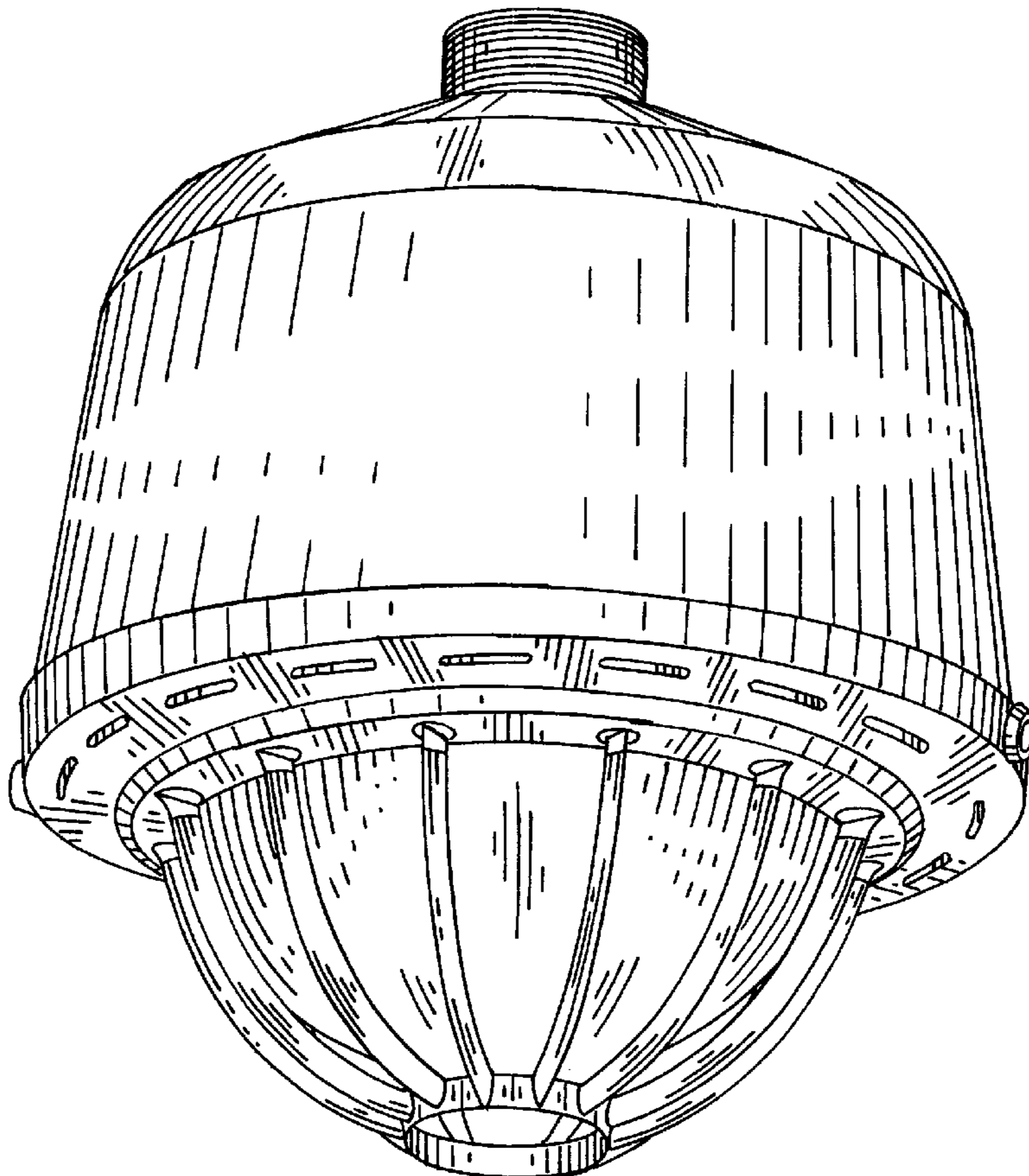
(57) **CLAIM**

The ornamental design for a heavy duty pendant for a dome camera system, as shown.

**DESCRIPTION**

FIG. 1 is a side elevational view of a heavy duty pendant for a dome camera system showing our new design; FIG. 2 is a side perspective view thereof; FIG. 3 is a bottom perspective view thereof; and, FIG. 4 is a top perspective view thereof.

**1 Claim, 2 Drawing Sheets**



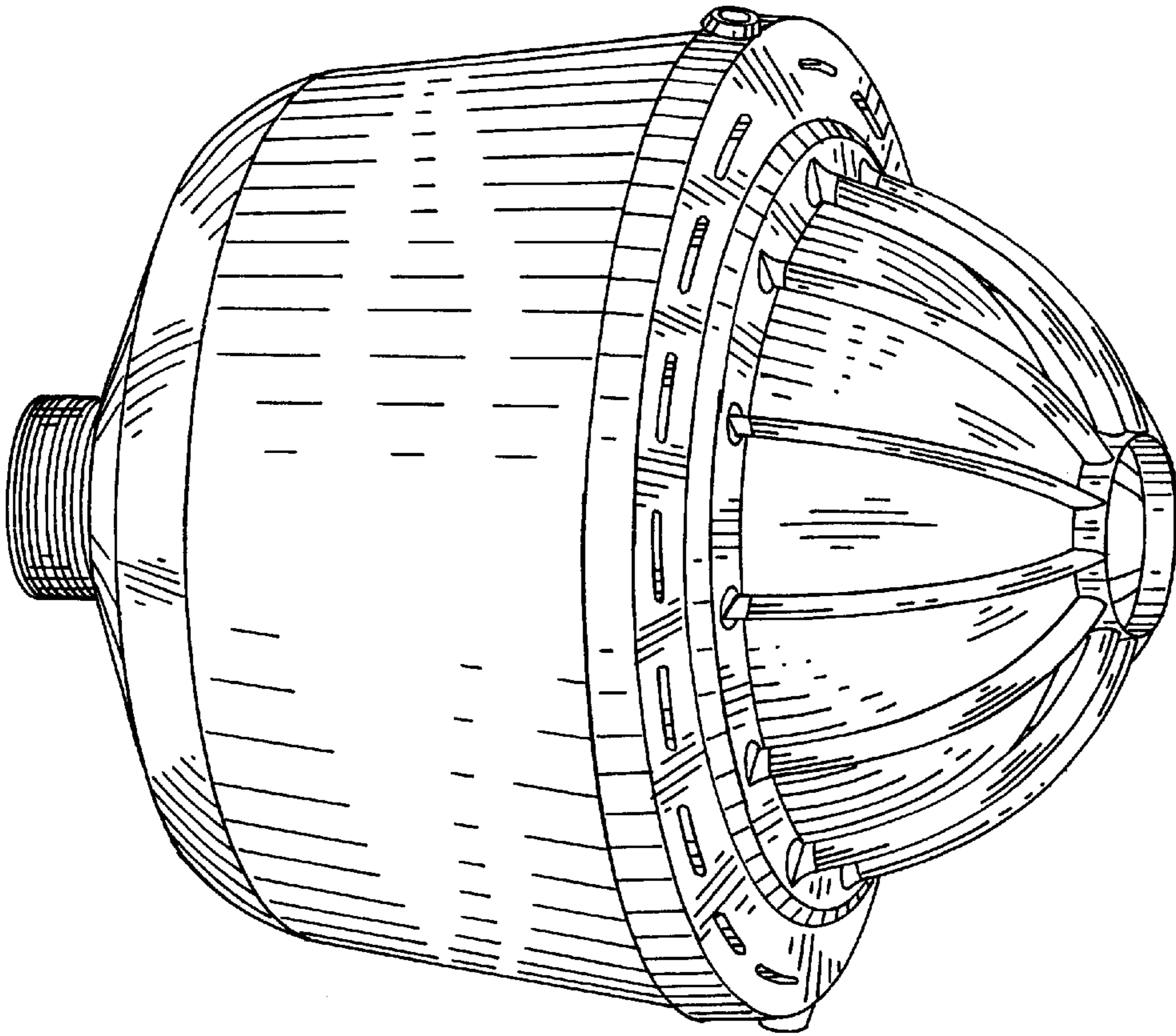


FIG. 2

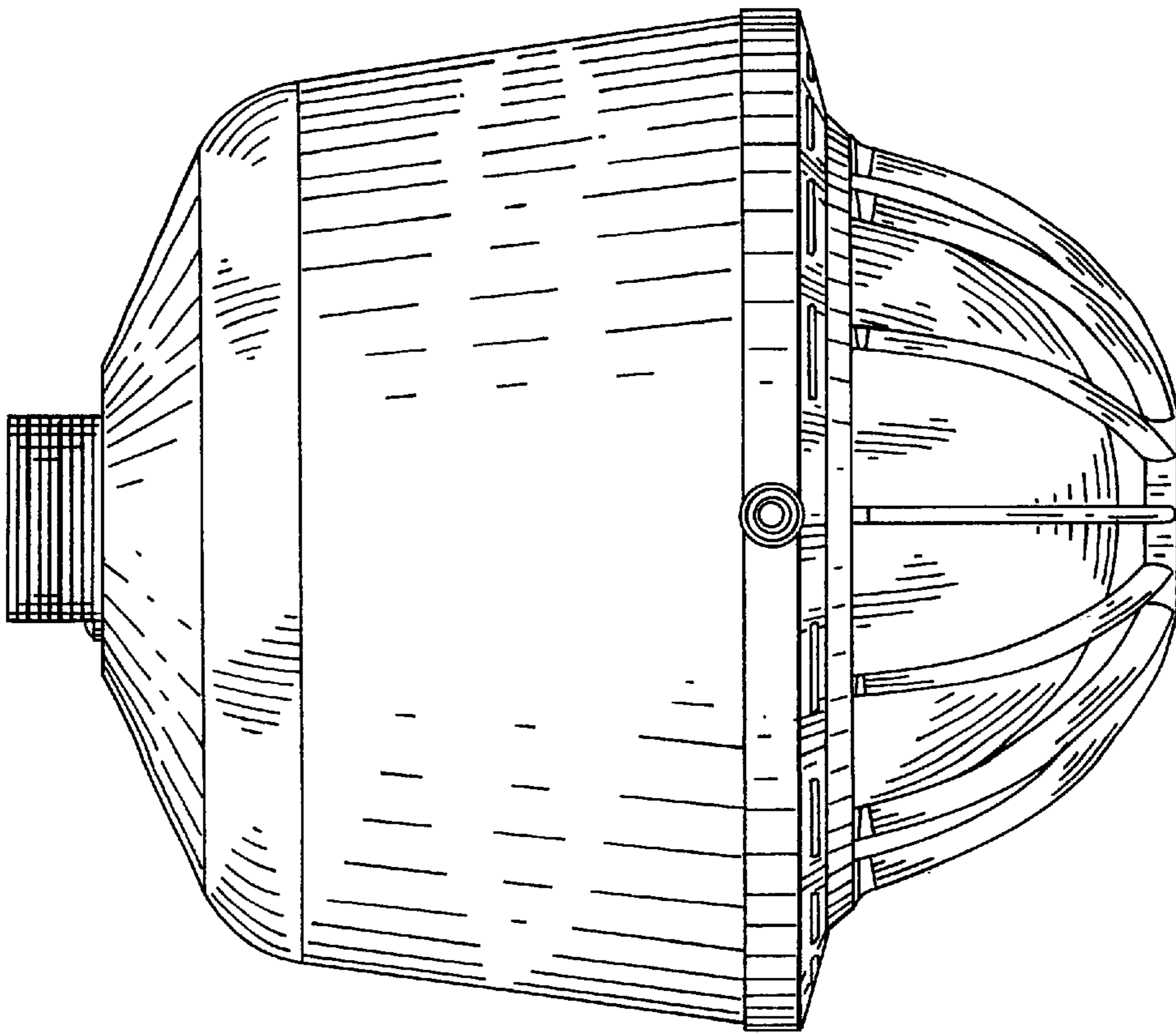


FIG. 1



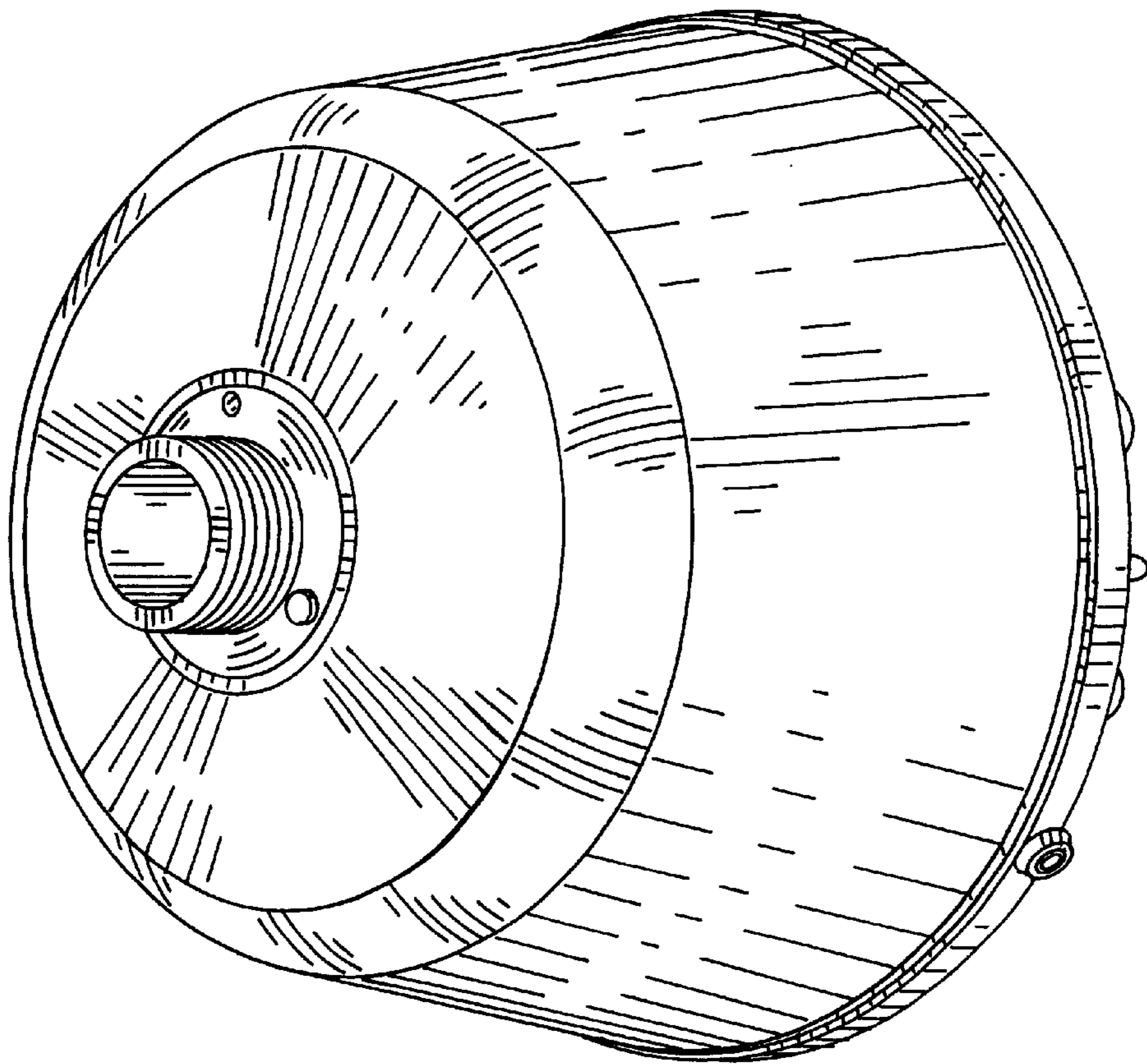


FIG. 4

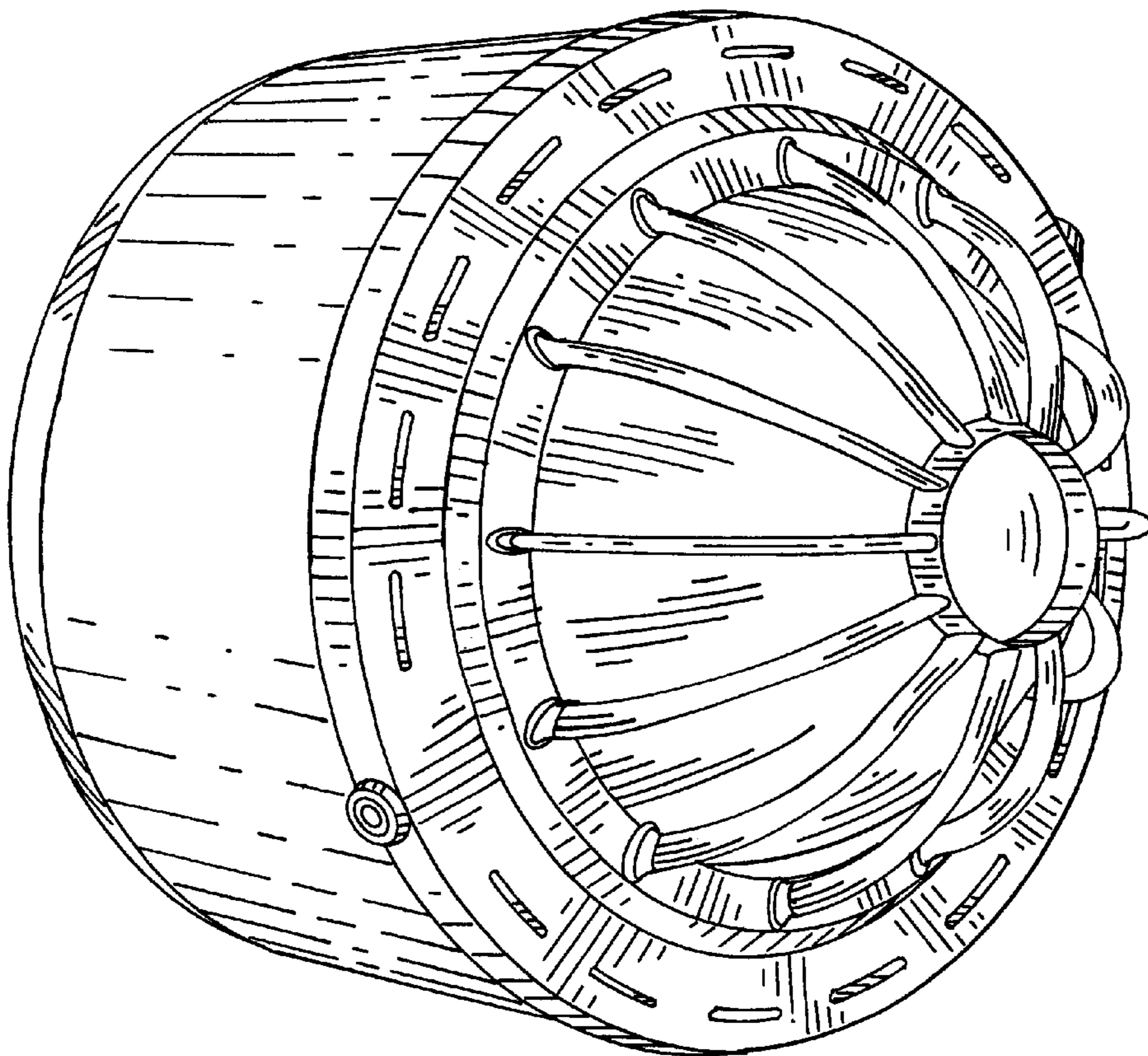


FIG. 3