



US00D457903S

(12) **United States Design Patent**
Nasu

(10) **Patent No.:** **US D457,903 S**

(45) **Date of Patent:** **** May 28, 2002**

(54) **DIGITAL CAMERA**

(75) Inventor: **Miyoshi Nasu**, Tokyo (JP)

(73) Assignee: **Asahi Kogaku Kogyo Kabushiki Kaisha**, Tokyo (JP)

(**) Term: **14 Years**

(21) Appl. No.: **29/146,051**

(22) Filed: **Aug. 3, 2001**

(30) **Foreign Application Priority Data**

Feb. 6, 2001 (JP) 2001-002619

(51) **LOC (7) Cl.** **16-01**

(52) **U.S. Cl.** **D16/202; D16/218**

(58) **Field of Search** **D16/200-206, D16/208, 209, 218; 348/373-376; 358/909.1; 396/6, 25, 535-541**

(56) **References Cited**

U.S. PATENT DOCUMENTS

D385,569 S * 10/1997 Takimura D16/202
D418,851 S * 1/2000 Goto et al. D16/202

D424,085 S * 5/2000 Naito D16/202
D431,583 S * 10/2000 Matsuda D16/202
D451,115 S * 11/2001 Sumita D16/202
2001/0005452 A1 * 6/2001 Ushiyama et al. 396/6

* cited by examiner

Primary Examiner—Adir Aronovich

(74) *Attorney, Agent, or Firm*—Sughrue Mion, PLLC

(57) **CLAIM**

The ornamental design for a digital camera, as shown and described.

DESCRIPTION

FIG. 1 is a perspective view of the top, front and left side of a digital camera showing my new design;
FIG. 2 is a front elevational view thereof;
FIG. 3 is a top plan view thereof;
FIG. 4 is a left side elevational view thereof;
FIG. 5 is a right side elevational view thereof;
FIG. 6 is a rear elevational view thereof;
FIG. 7 is a bottom plan view thereof; and,
FIG. 8 is a view similar to FIG. 1 with the lens extended.

1 Claim, 4 Drawing Sheets

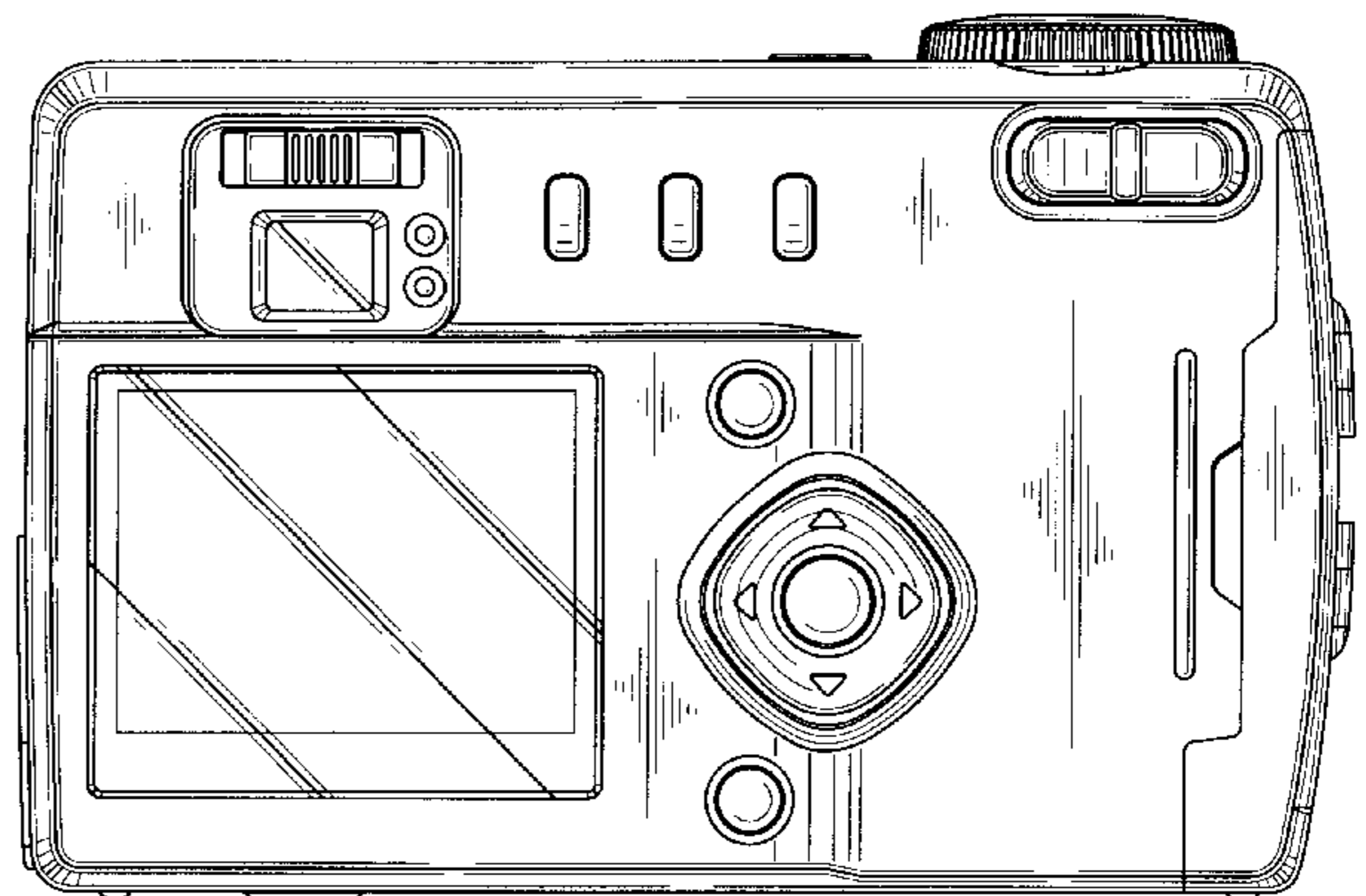
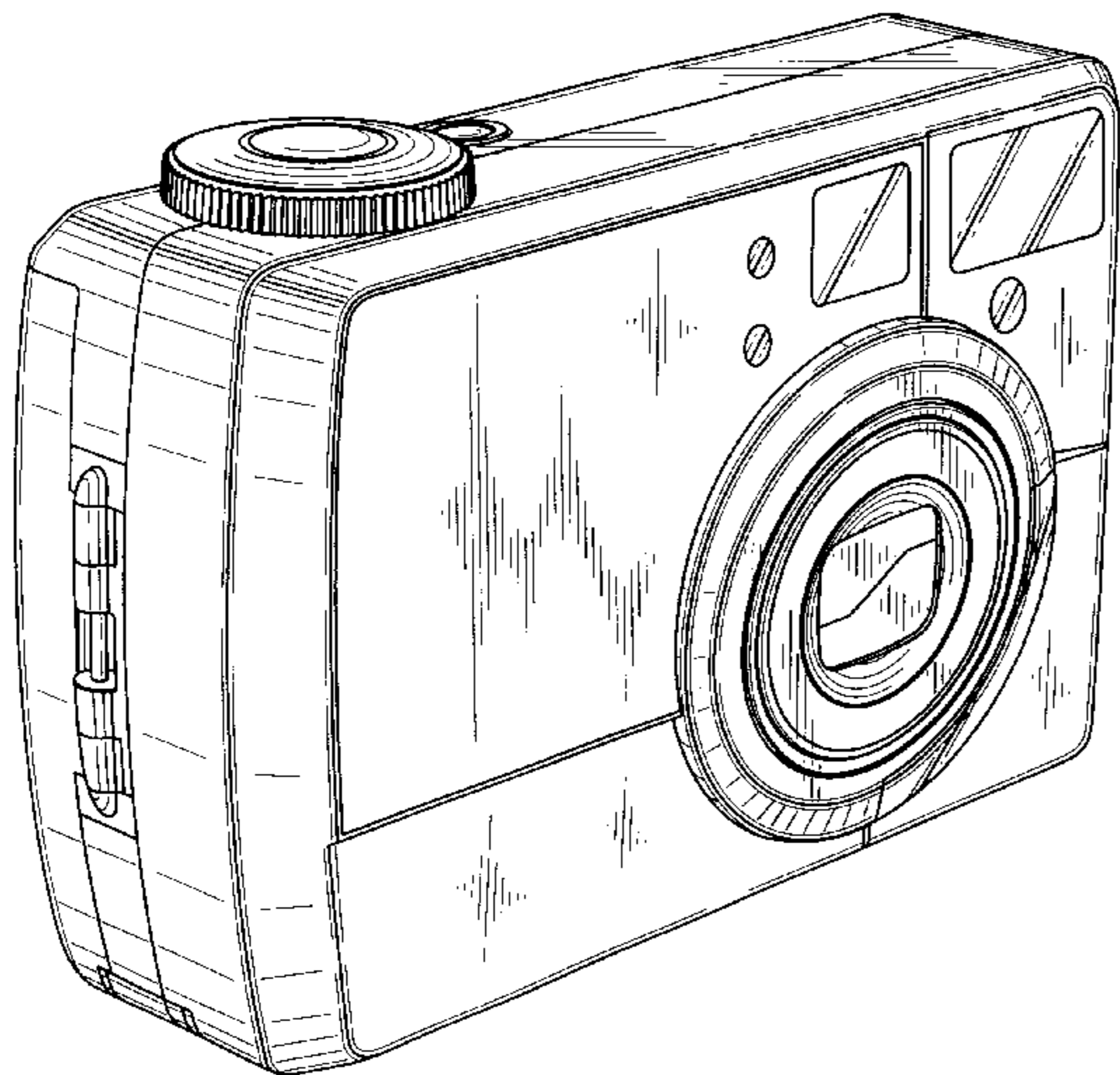


FIG. 1

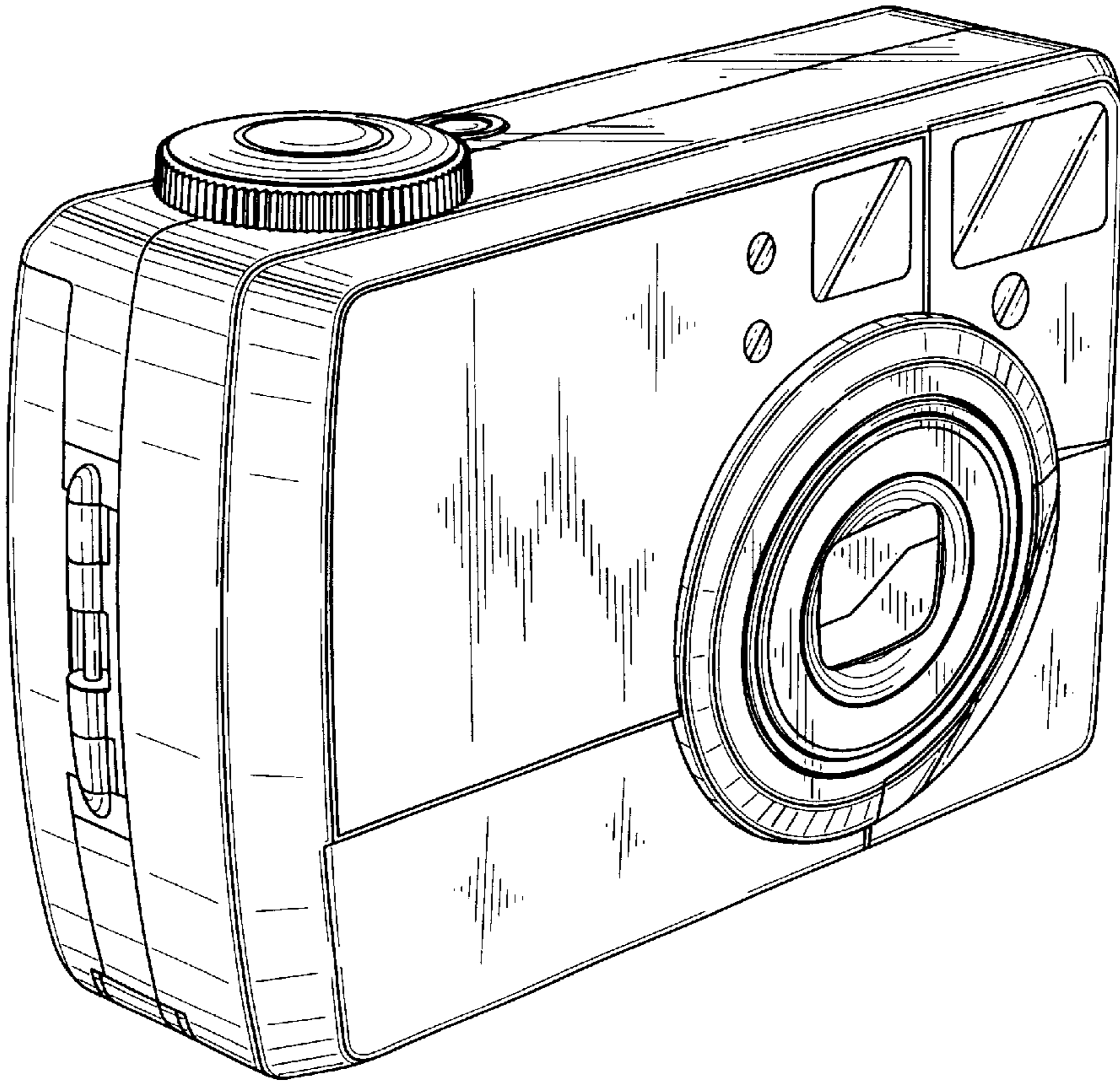


FIG. 2

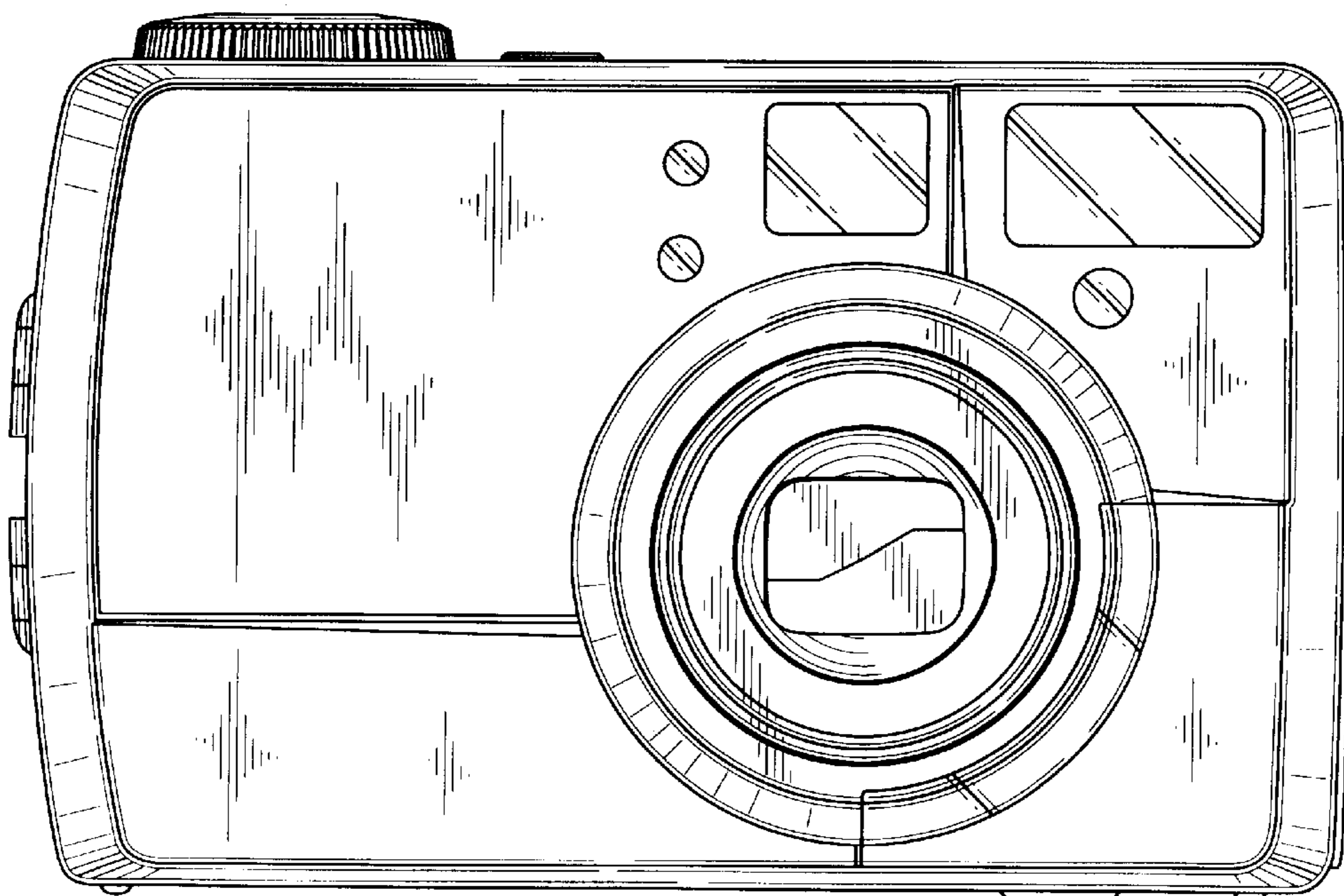


FIG. 3

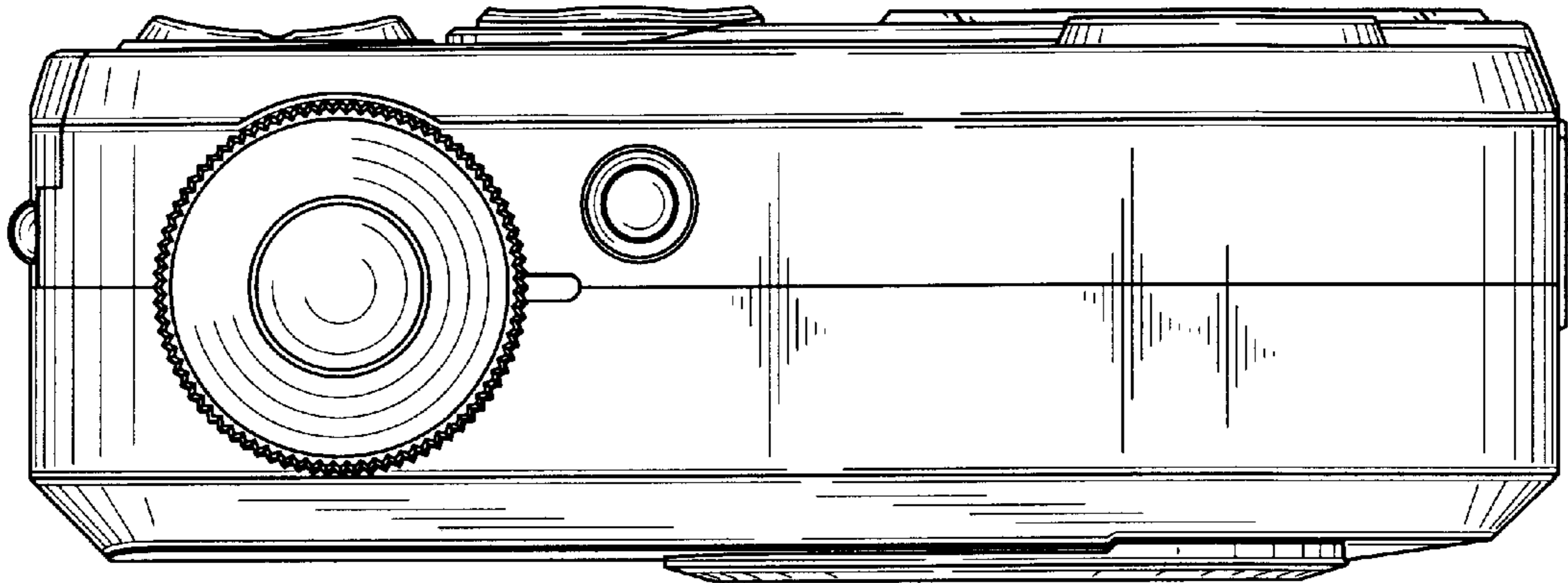


FIG. 4

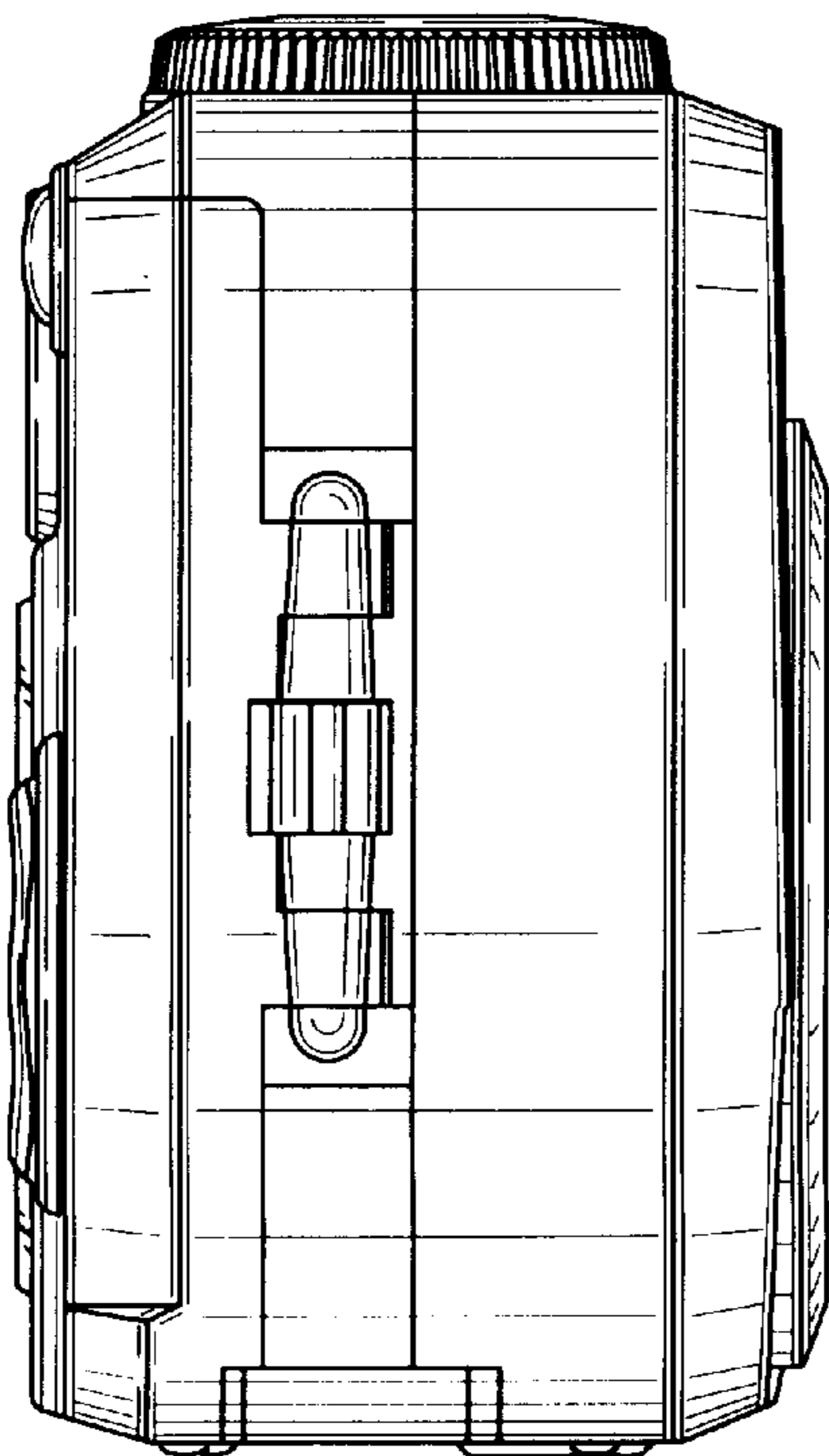


FIG. 5

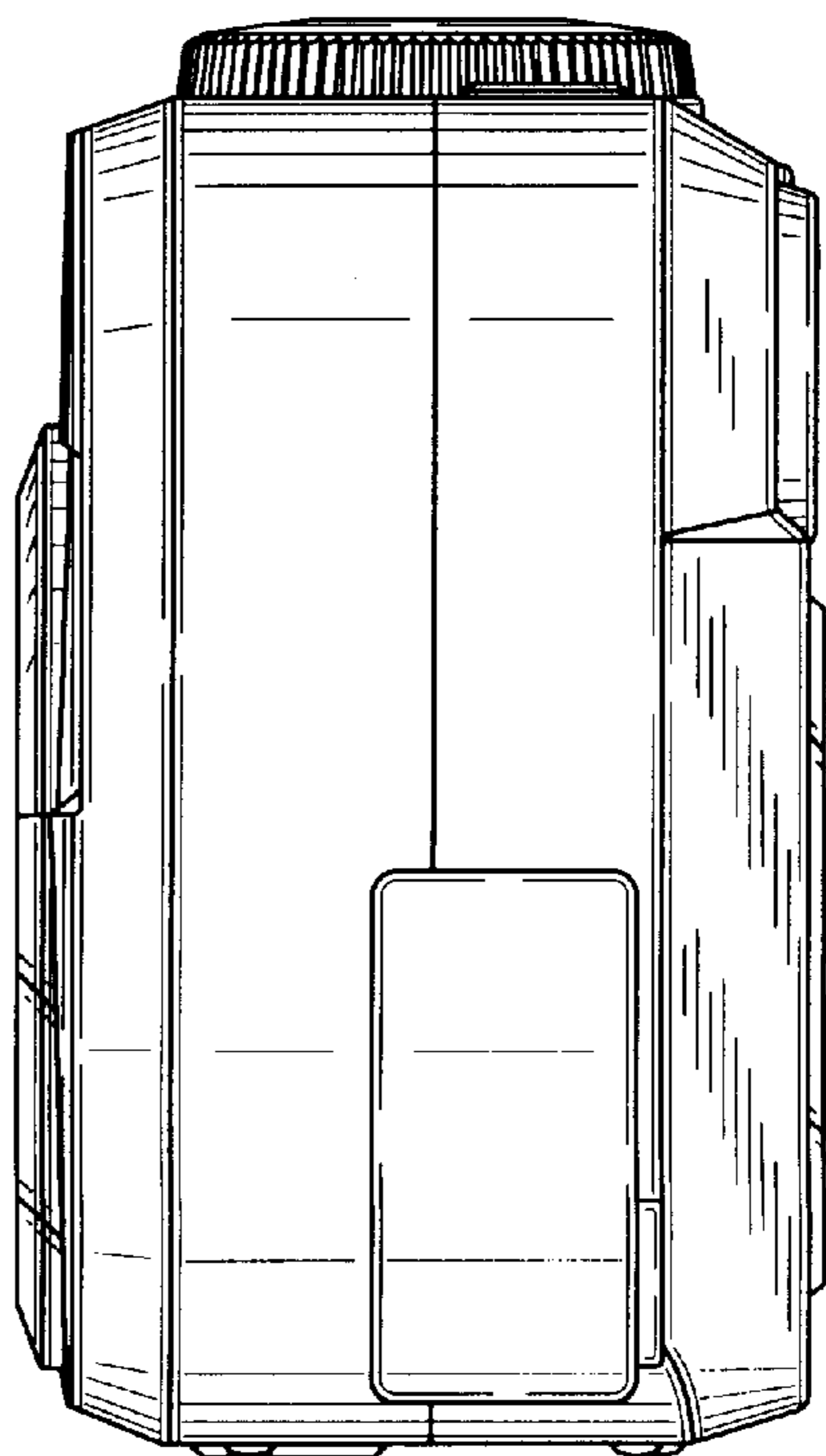


FIG. 6

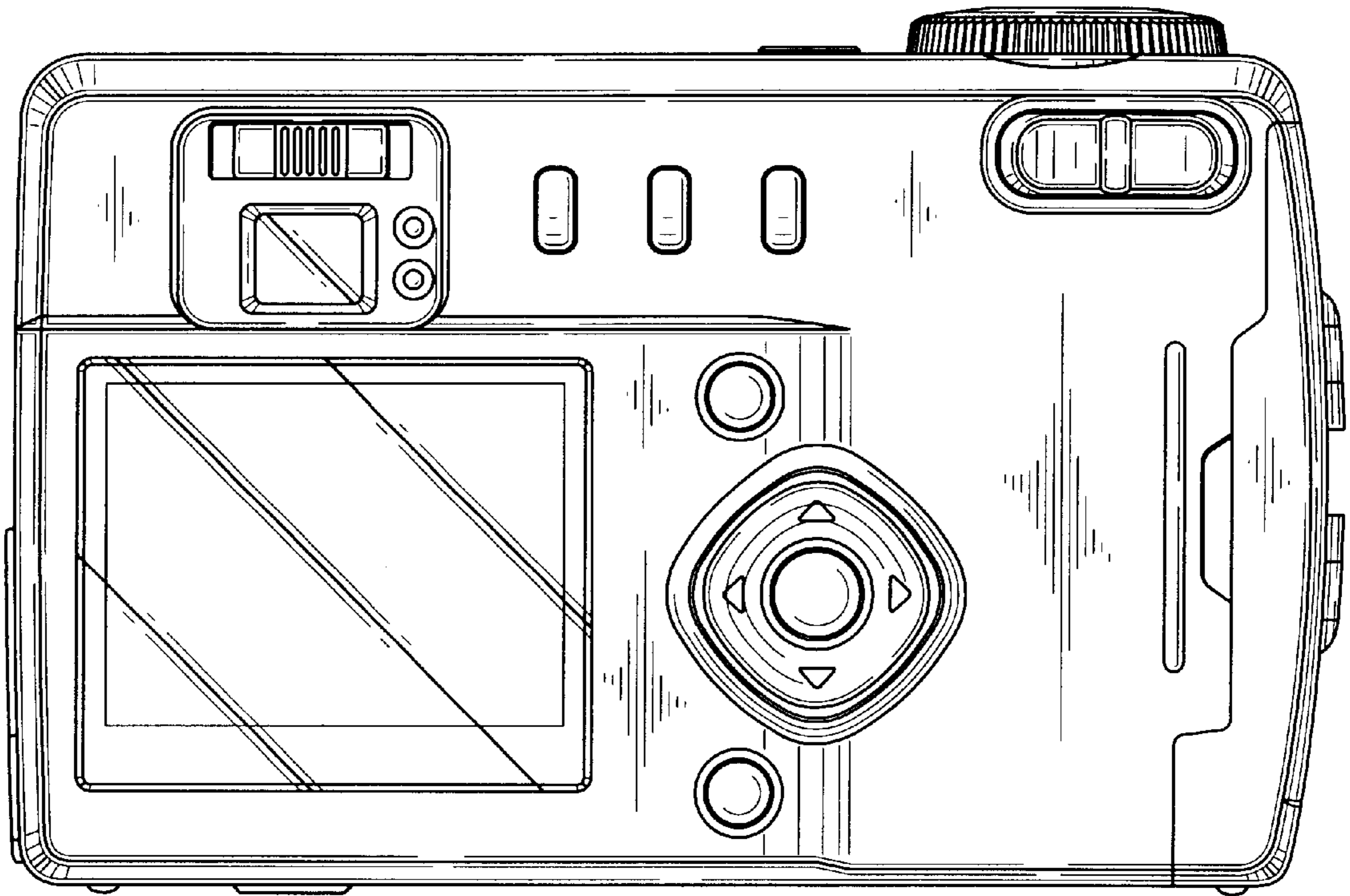


FIG. 7

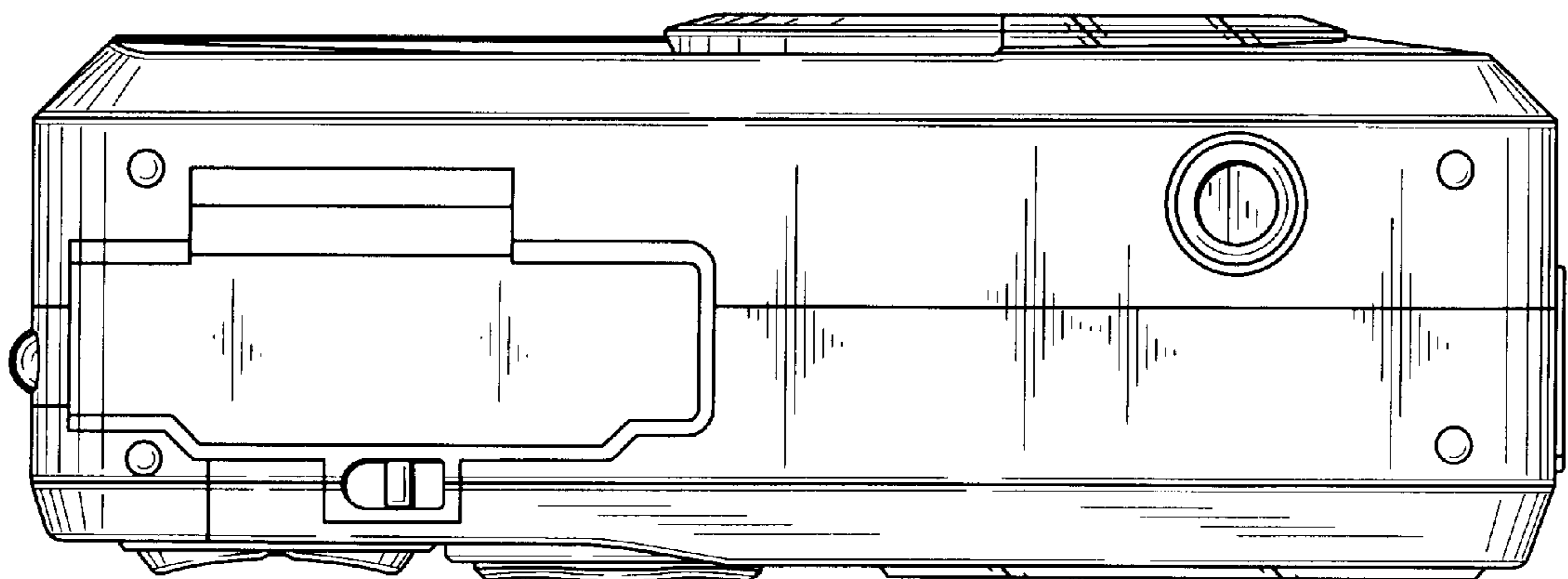


FIG. 8

