



US00D457902S

(12) **United States Design Patent**
Porsche et al.

(10) **Patent No.:** **US D457,902 S**

(45) **Date of Patent:** **** May 28, 2002**

(54) **ELECTRONIC STILL CAMERA**

(75) Inventors: **Ferdinand Alexander Porsche;**
Christian Schwamkrug, both of Zell
am See (AT)

(73) Assignee: **Fuji Photo Film Co., Ltd.**, Kanagawa
(JP)

(**) Term: **14 Years**

(21) Appl. No.: **29/142,871**

(22) Filed: **Jun. 5, 2001**

(30) **Foreign Application Priority Data**

Jan. 18, 2001 (JP) 2001-000879

(51) **LOC (7) Cl.** **16-01**

(52) **U.S. Cl.** **D16/202; D16/218**

(58) **Field of Search** **D16/200-205,**
D16/208, 218; 348/373-376; 358/909.1;
396/535-541

(56) **References Cited**

U.S. PATENT DOCUMENTS

D354,300 S	*	1/1995	Ina et al.	D16/202
D376,379 S	*	12/1996	Eto et al.	D16/218
D408,044 S		4/1999	Tanaka et al.	D16/202
D418,151 S	*	12/1999	Sumita	D16/202
D422,291 S		4/2000	Senda	D16/202
D431,828 S	*	10/2000	Yoshida	D16/202
D436,976 S		1/2001	Tanaka	D16/202

D450,071 S	*	11/2001	Funato	D16/202
2001/0017664 A1	*	8/2001	Misawa	348/373

OTHER PUBLICATIONS

Fuji Digital Camera Catalog, Nov. 1999 (FinePix1700z).*

* cited by examiner

Primary Examiner—Adir Aronovich

(74) *Attorney, Agent, or Firm*—Young & Thompson

(57) **CLAIM**

The ornamental design for an electronic still camera, as shown and described.

DESCRIPTION

FIG. 1 is a top, front and side perspective view of an electronic still camera, showing our new design;
 FIG. 2 is a front elevational view thereof;
 FIG. 3 is a rear elevational view thereof;
 FIG. 4 is a top plan view thereof;
 FIG. 5 is a bottom plan view thereof;
 FIG. 6 is a side elevational view thereof from the left of FIG. 2;
 FIG. 7 is a side elevational view thereof from the right of FIG. 2;
 FIG. 8 is a view similar to FIG. 1 but with the parts in a different position; and,
 FIG. 9 is a view similar to FIG. 1 but with the parts in still another position.

1 Claim, 5 Drawing Sheets

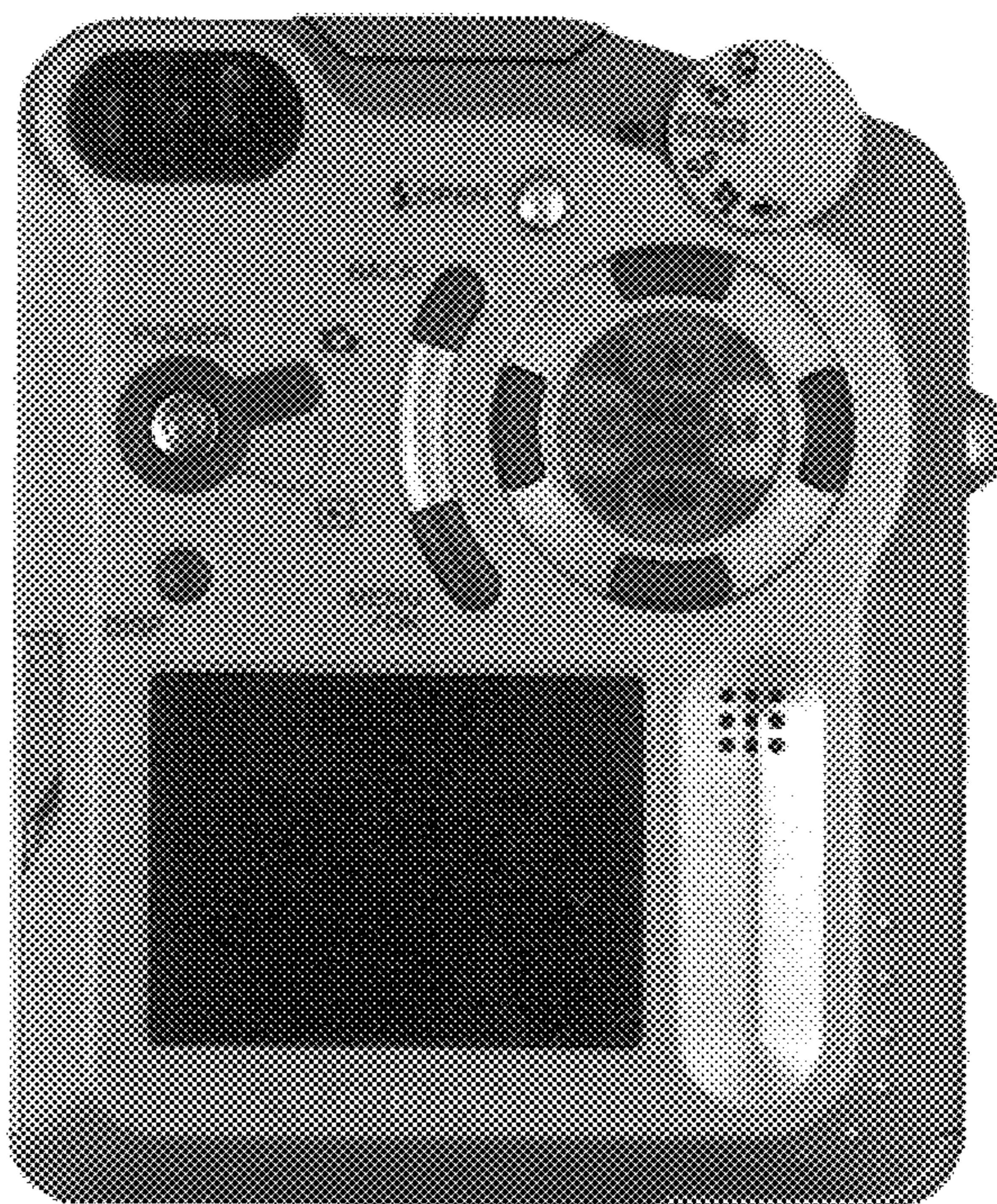


FIG. 1



FIG. 2



FIG. 3

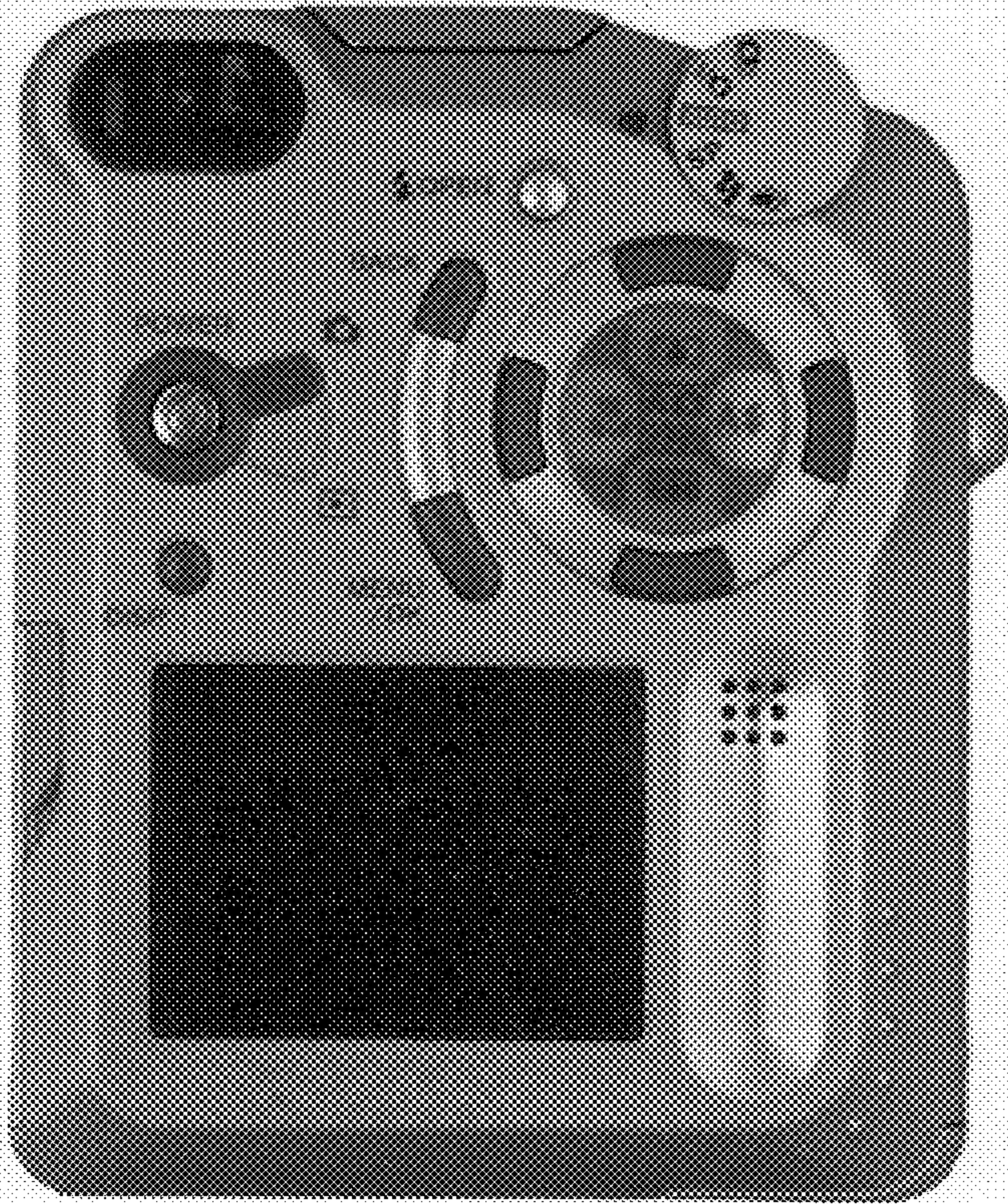


FIG. 4

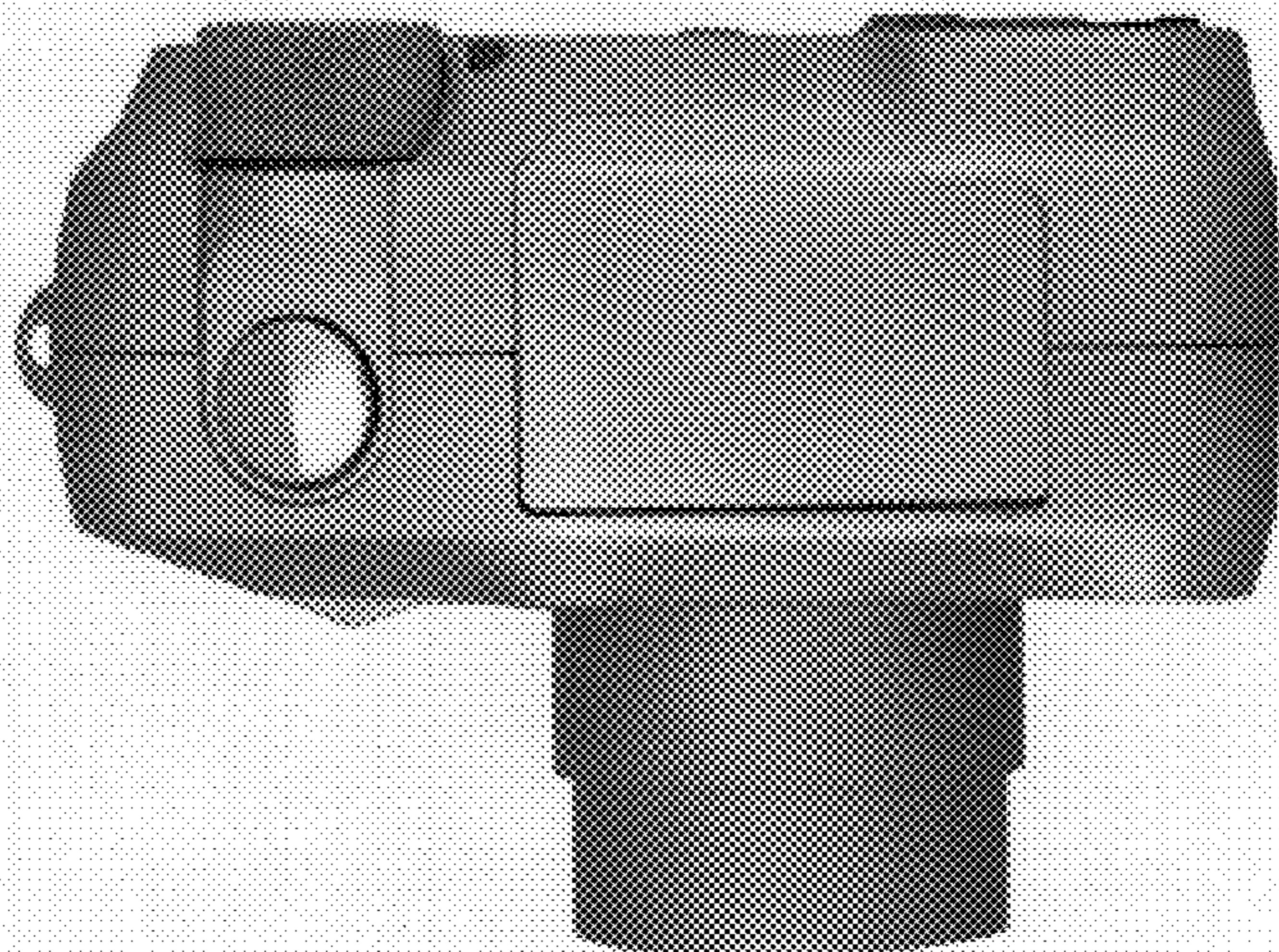


FIG. 5

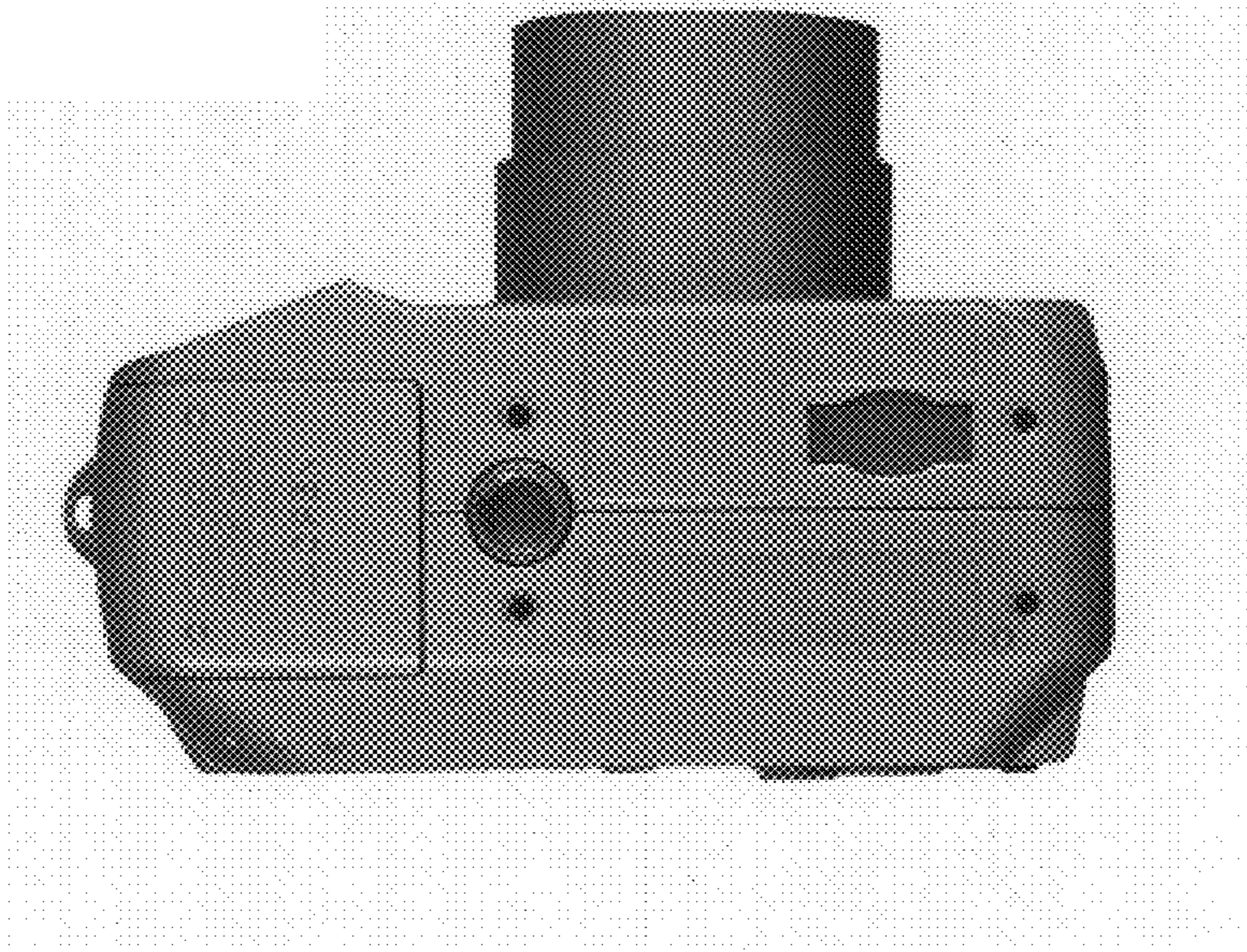


FIG. 6

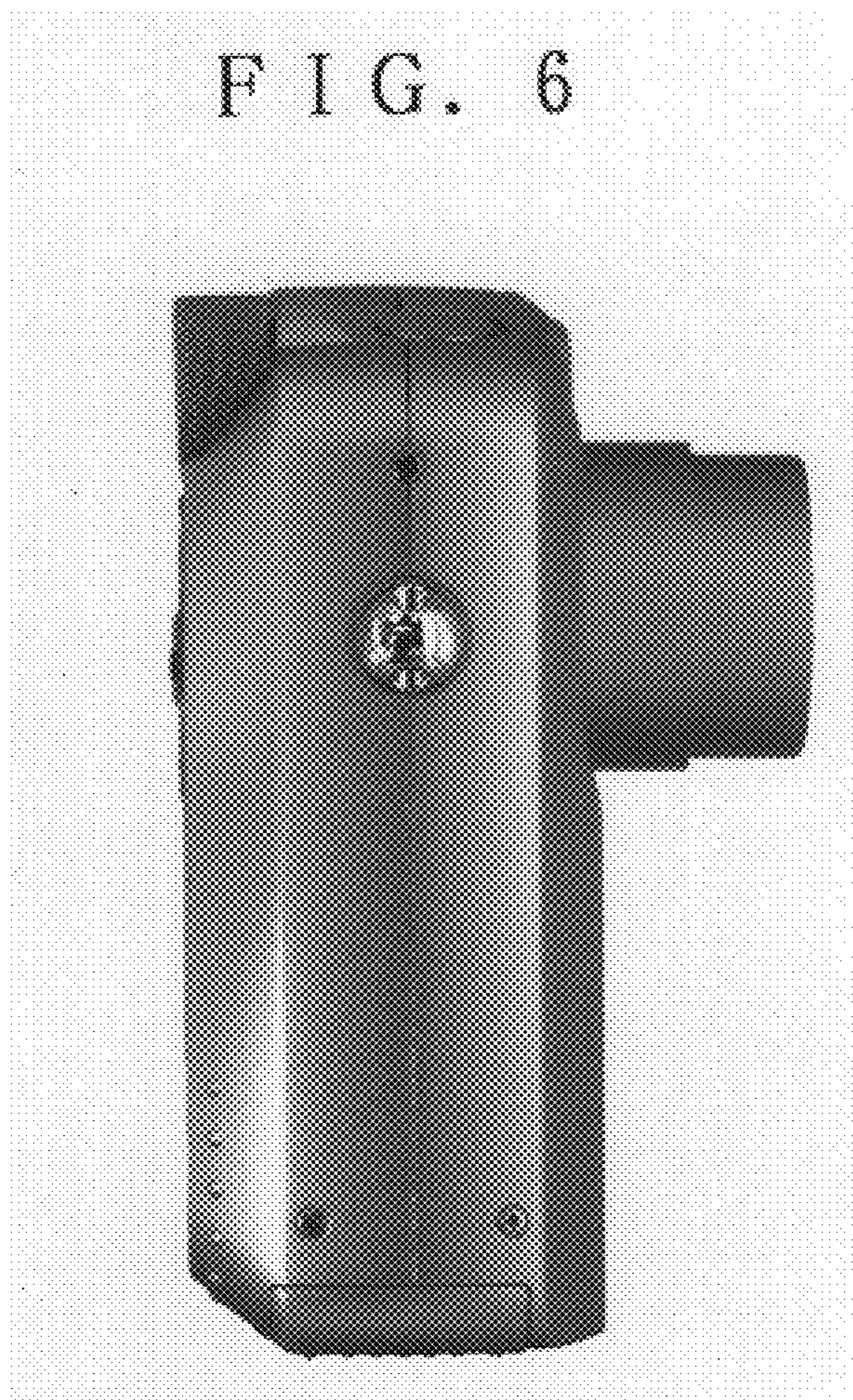


FIG. 7

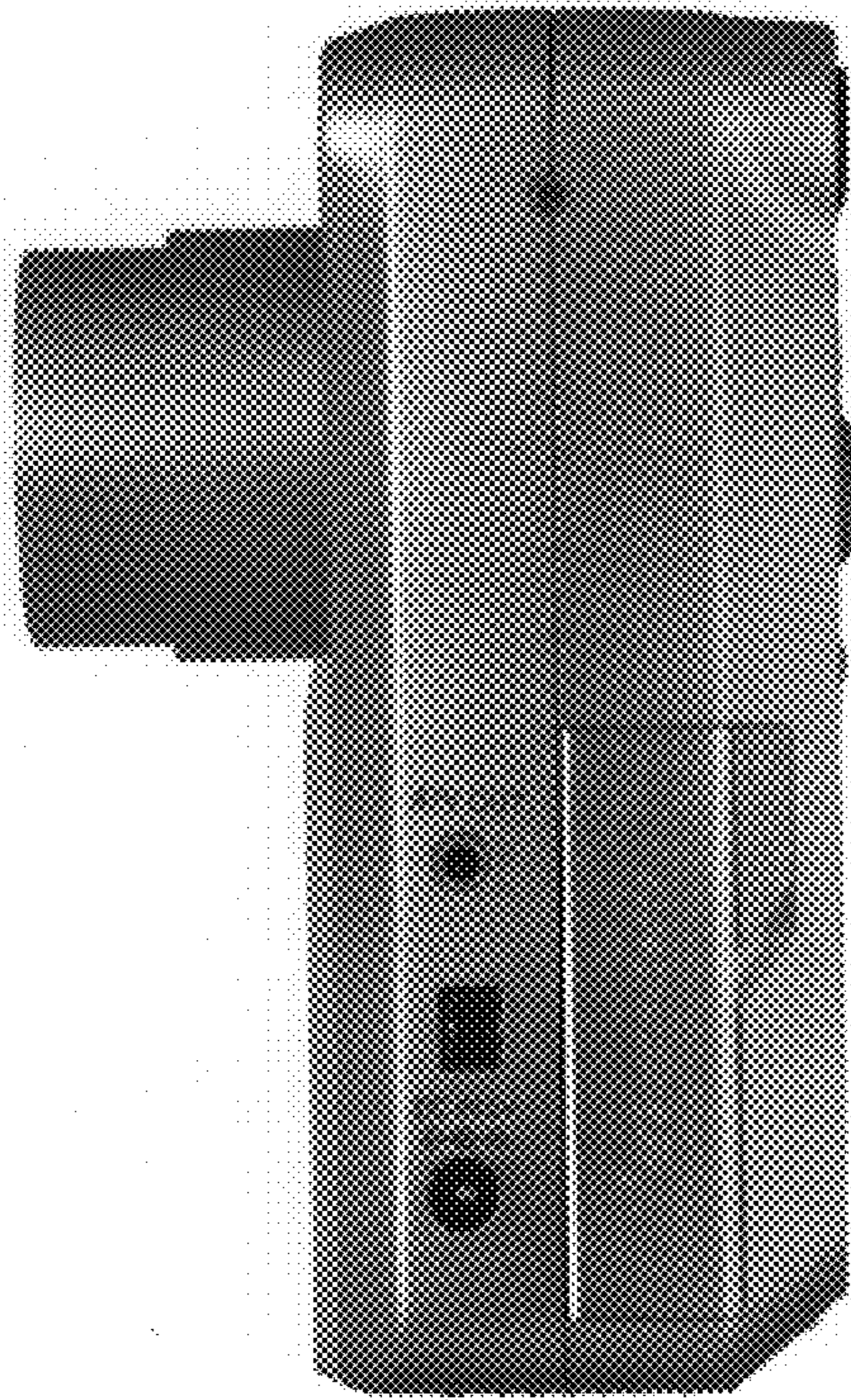


FIG. 8



FIG. 9

