



US00D457901S

(12) **United States Design Patent** (10) **Patent No.:** **US D457,901 S**
Lo (45) **Date of Patent:** **** May 28, 2002**

(54) **MICROSCOPE**

(75) Inventor: **Siu-Chung Lo, Kowloon (CN)**

(73) Assignee: **Eastcolight Limited, East Kowloon (CN)**

(**) Term: **14 Years**

(21) Appl. No.: **29/142,981**

(22) Filed: **Jun. 4, 2001**

(30) **Foreign Application Priority Data**

Dec. 5, 2000 (HK) 0011773

(51) **LOC (7) Cl.** **16-06**

(52) **U.S. Cl.** **D16/131**

(58) **Field of Search** D16/130, 131,
D16/134; 359/375, 376, 381, 382, 383,
385

(56) **References Cited**

U.S. PATENT DOCUMENTS

- D191,330 S * 9/1961 Armbruster D16/131
- D198,104 S * 4/1964 Armbruster D16/131
- D354,761 S * 1/1995 Komatsuzaki et al. D16/131

- D367,869 S * 3/1996 Hofmann-Igl et al. D16/131
- D395,664 S * 6/1998 Nojima et al. D16/131
- D400,548 S * 11/1998 Komatsuzaki D16/131
- D417,880 S * 12/1999 Wani et al. D16/131
- D419,168 S * 1/2000 Franks et al. D16/131
- D439,258 S * 3/2001 Kawahata D16/131

* cited by examiner

Primary Examiner—Paula A. Mortimer

(74) *Attorney, Agent, or Firm*—Alix, Yale & Ristas, LLP

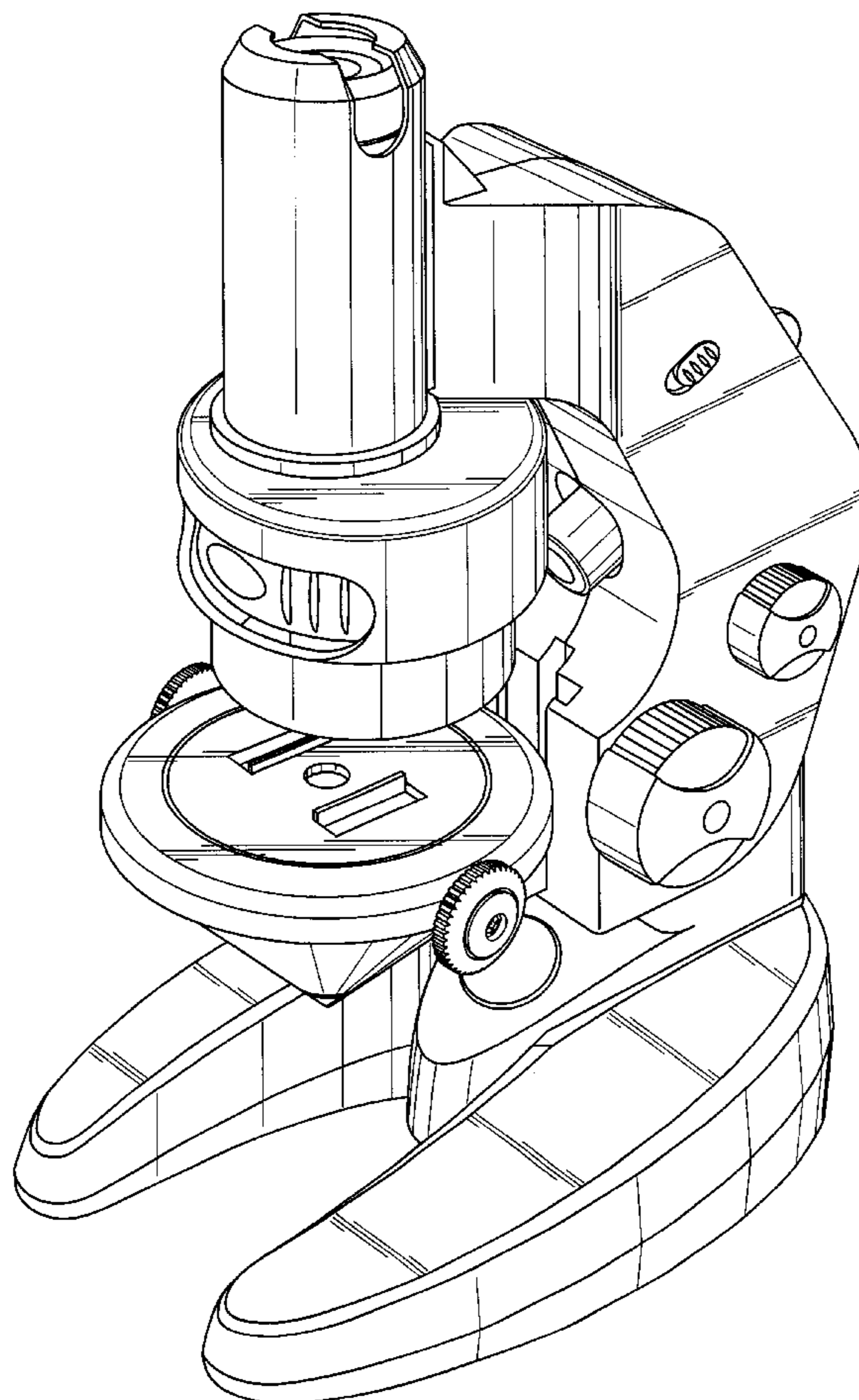
(57) **CLAIM**

The ornamental design for a microscope, as shown and described.

DESCRIPTION

FIG. 1 is a perspective view of a microscope showing my new design;
 FIG. 2 is a front elevational view thereof;
 FIG. 3 is a left side elevational view thereof;
 FIG. 4 is a right side elevational view thereof;
 FIG. 5 is a rear elevational view thereof;
 FIG. 6 is a top plan thereof; and,
 FIG. 7 is a bottom plan view thereof.

1 Claim, 6 Drawing Sheets



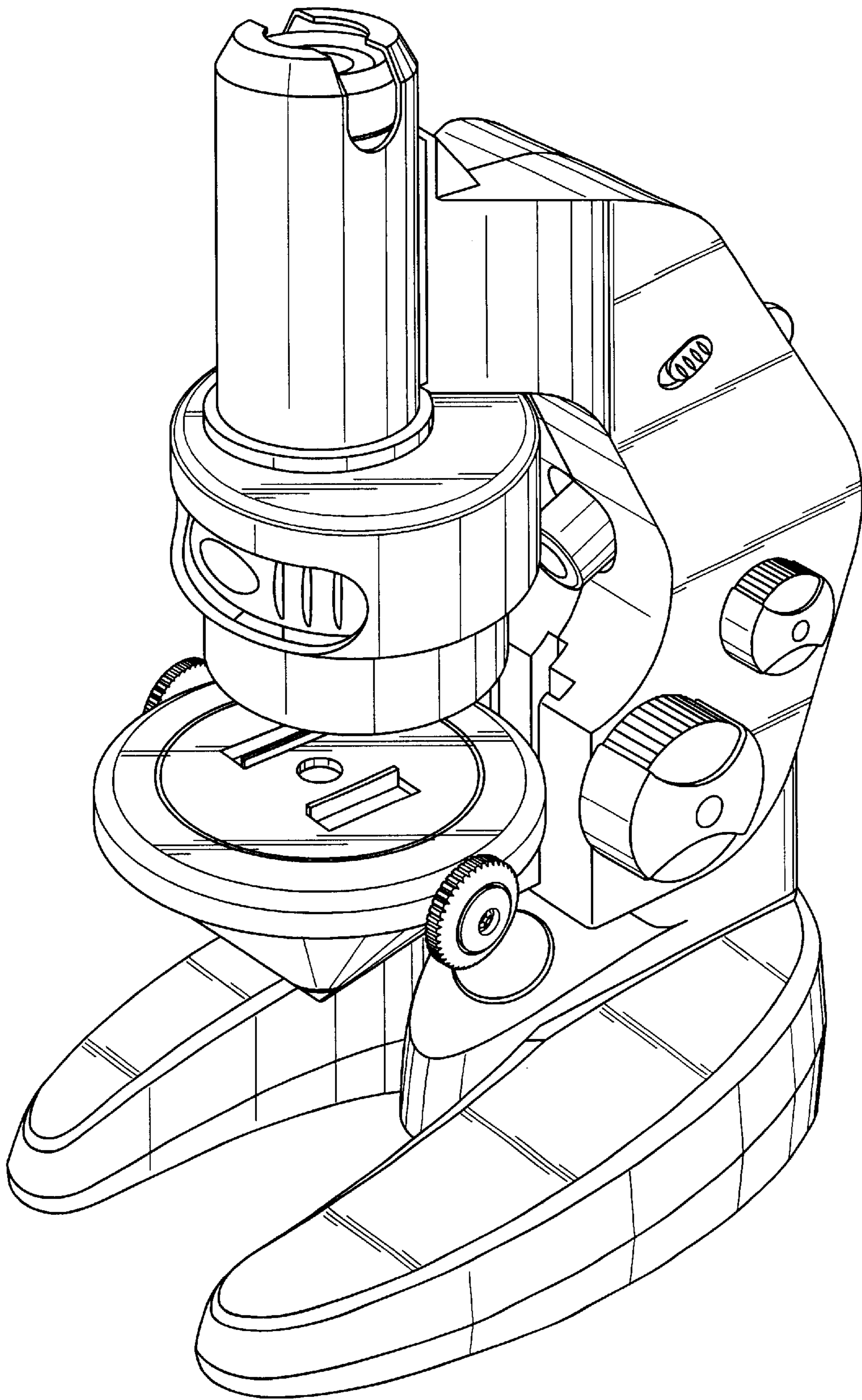


FIG. 1

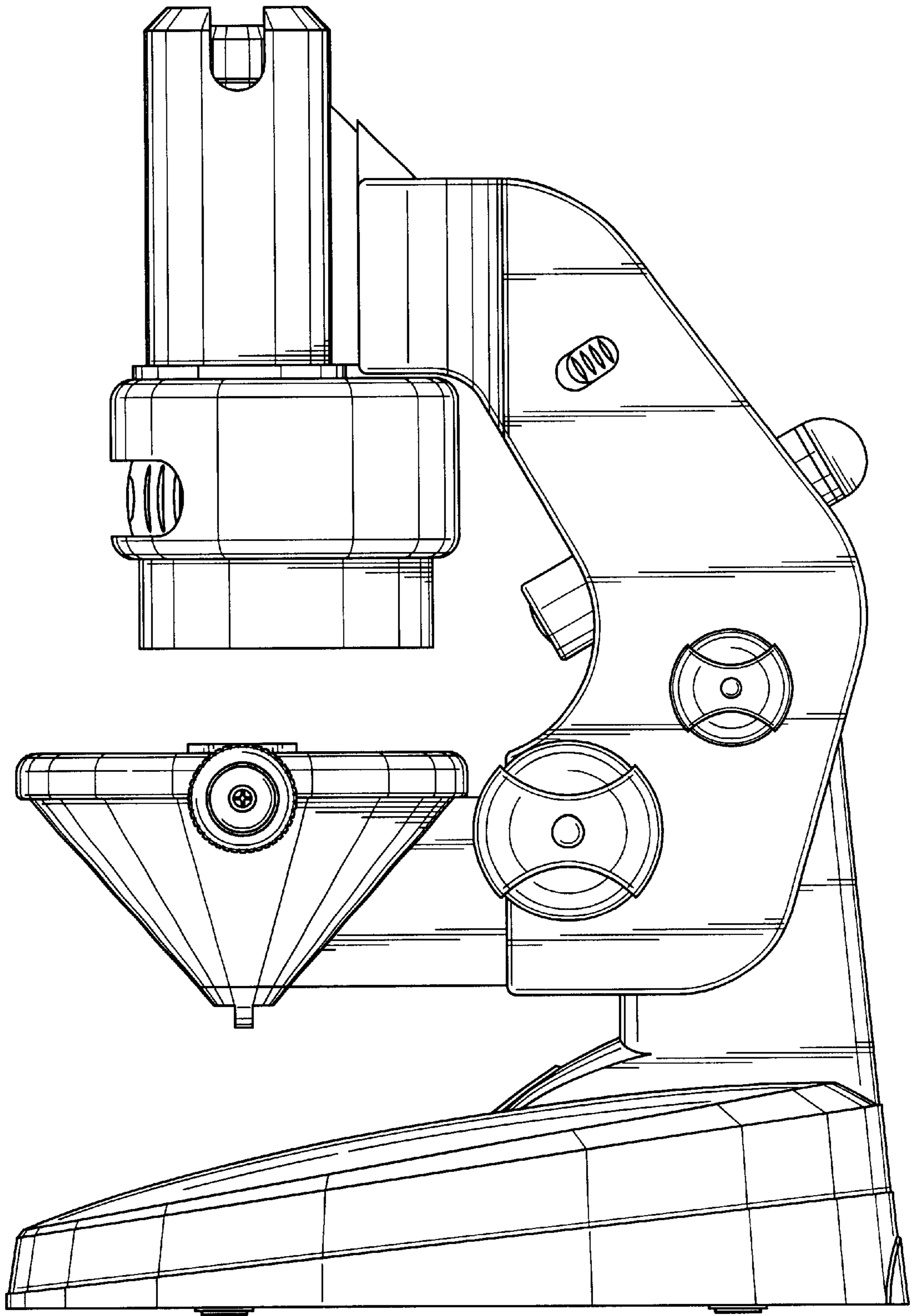


FIG. 2

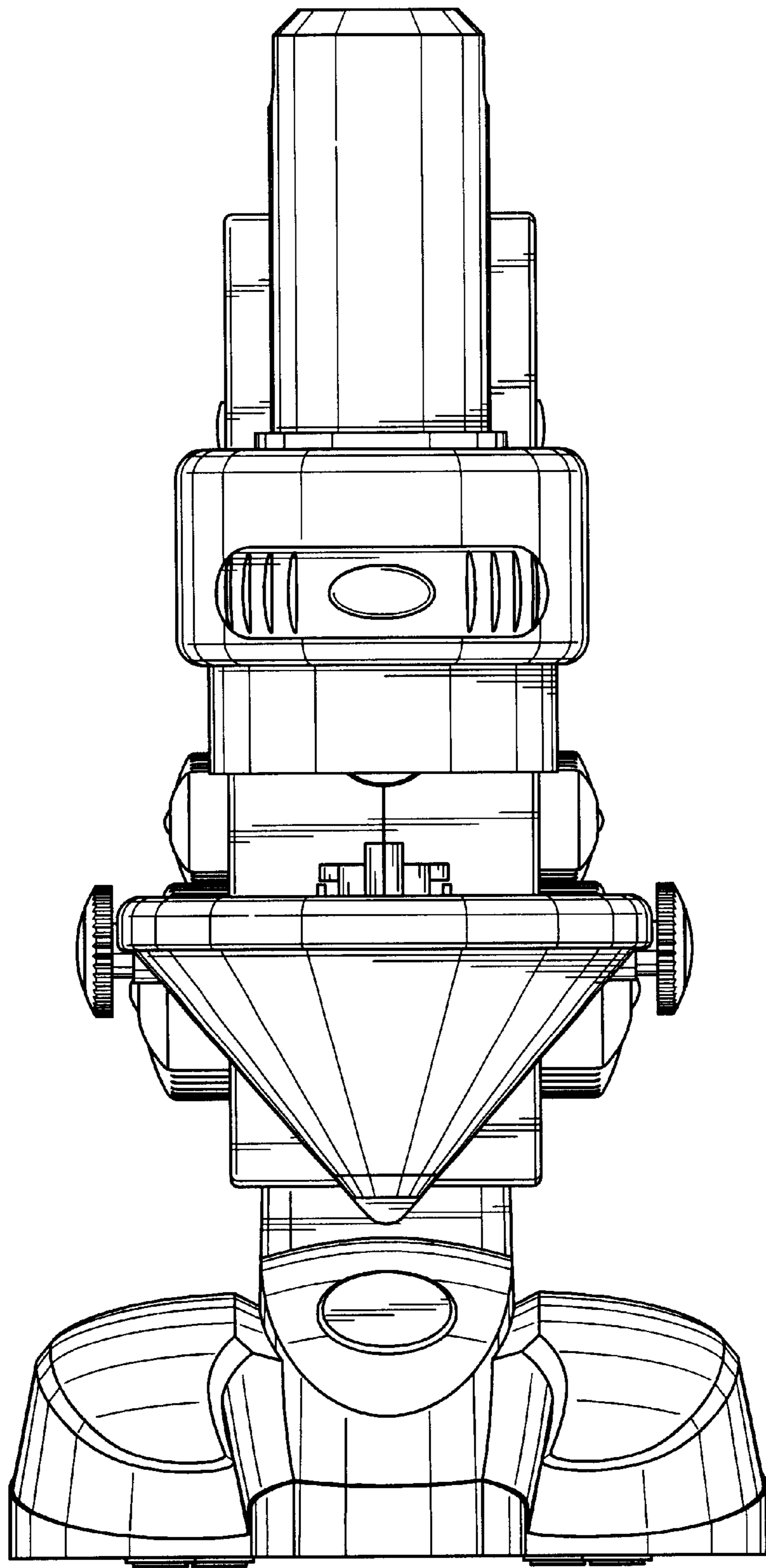


FIG. 3

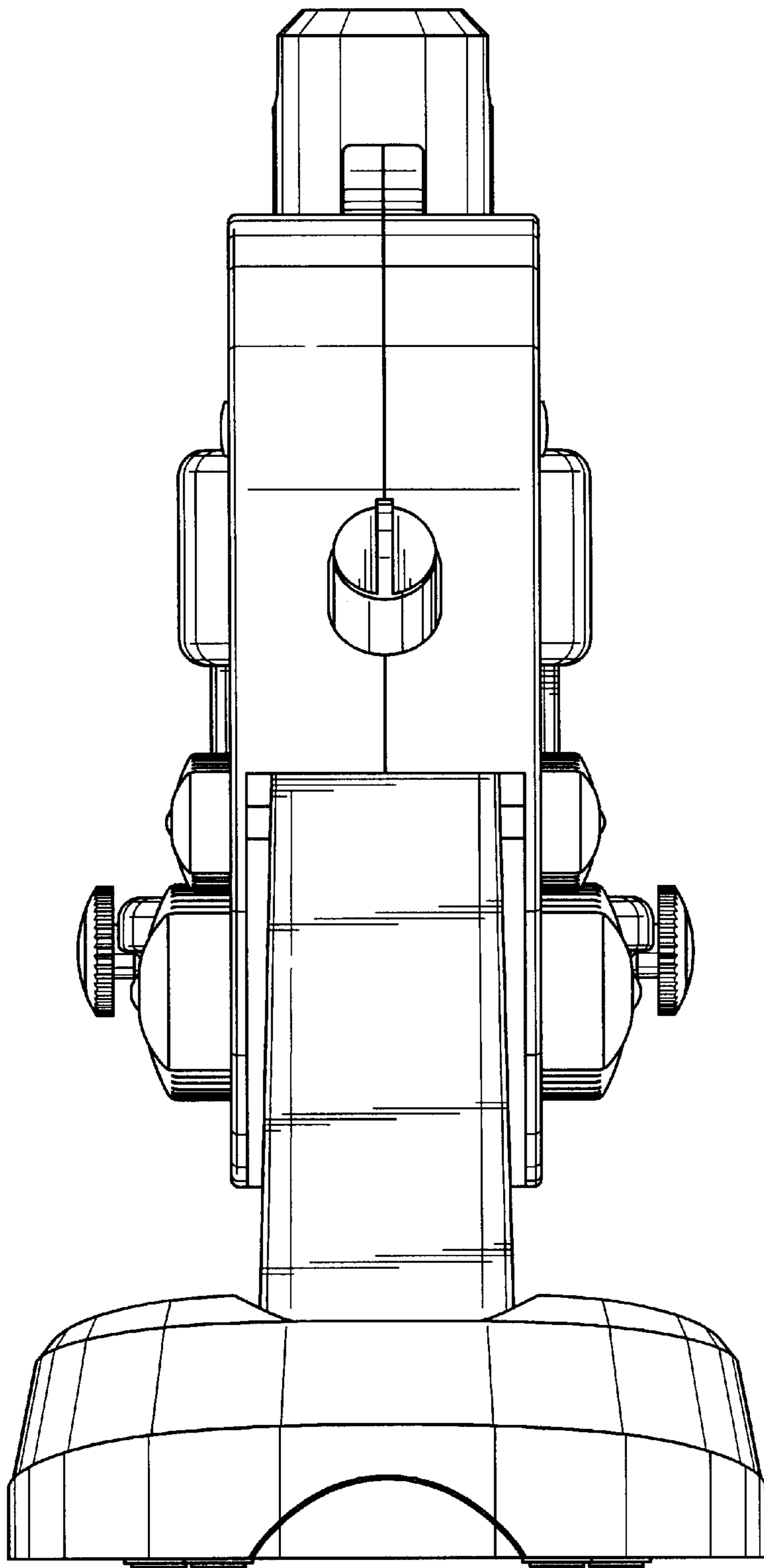


FIG. 4

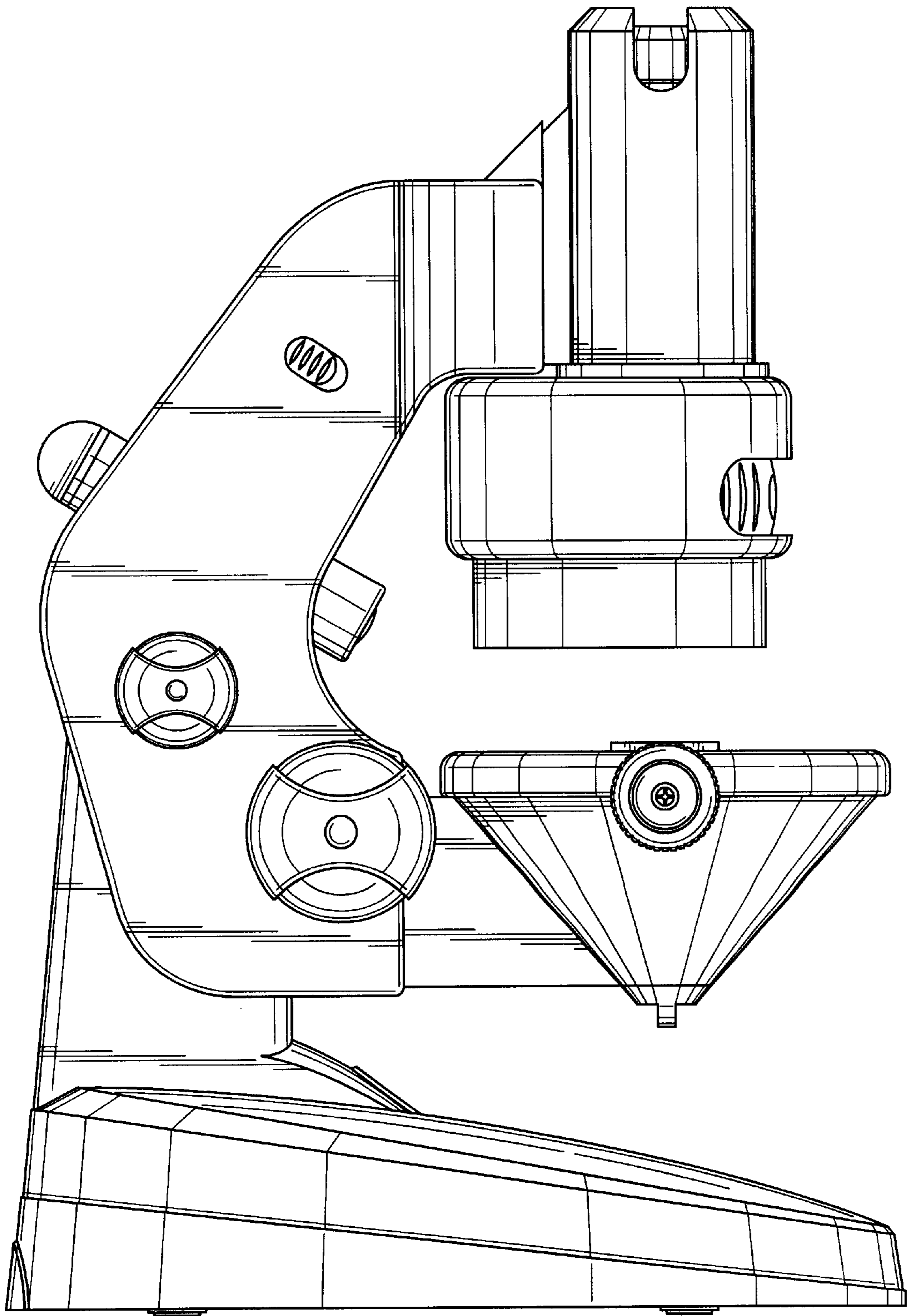


FIG. 5

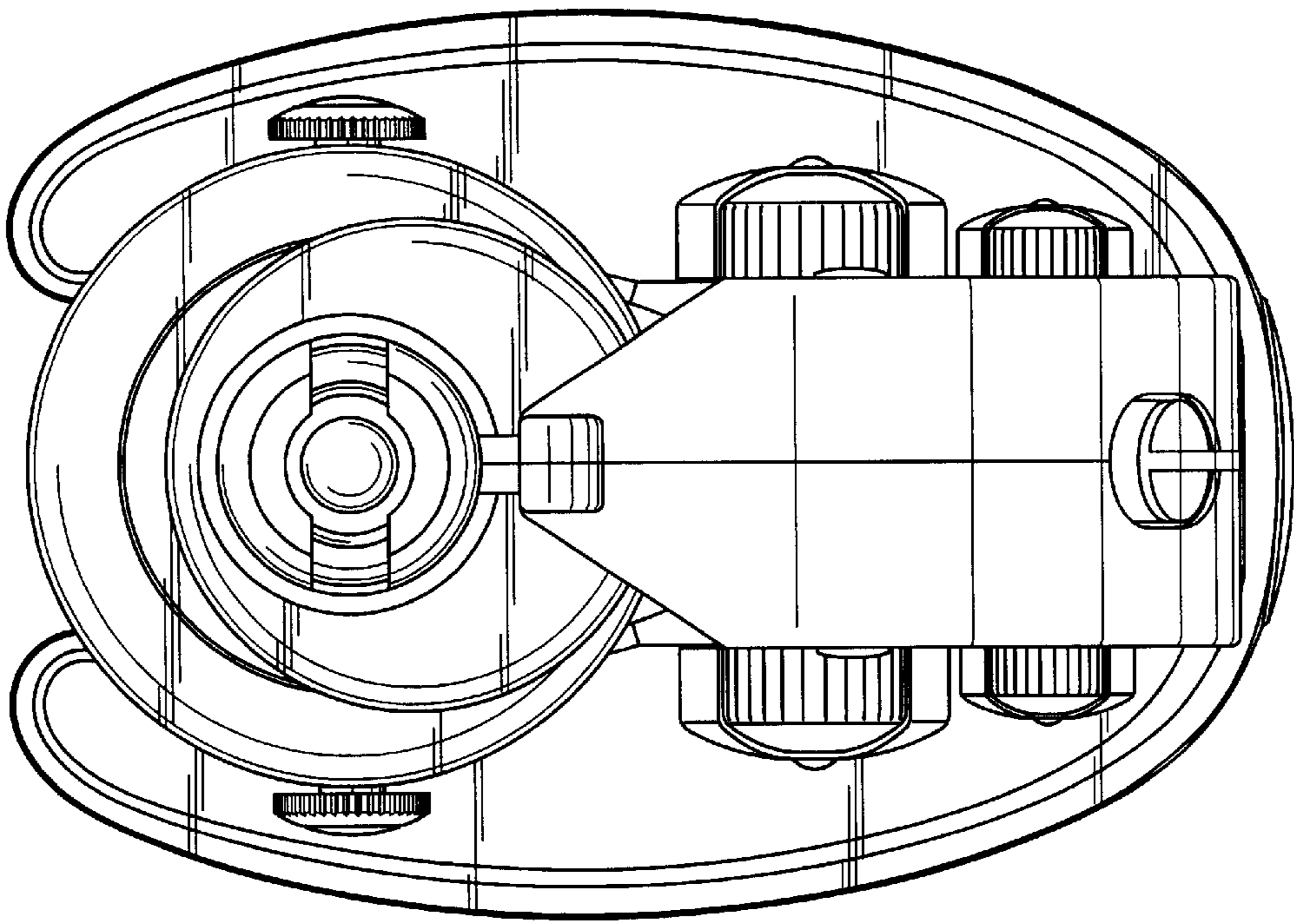


FIG. 6

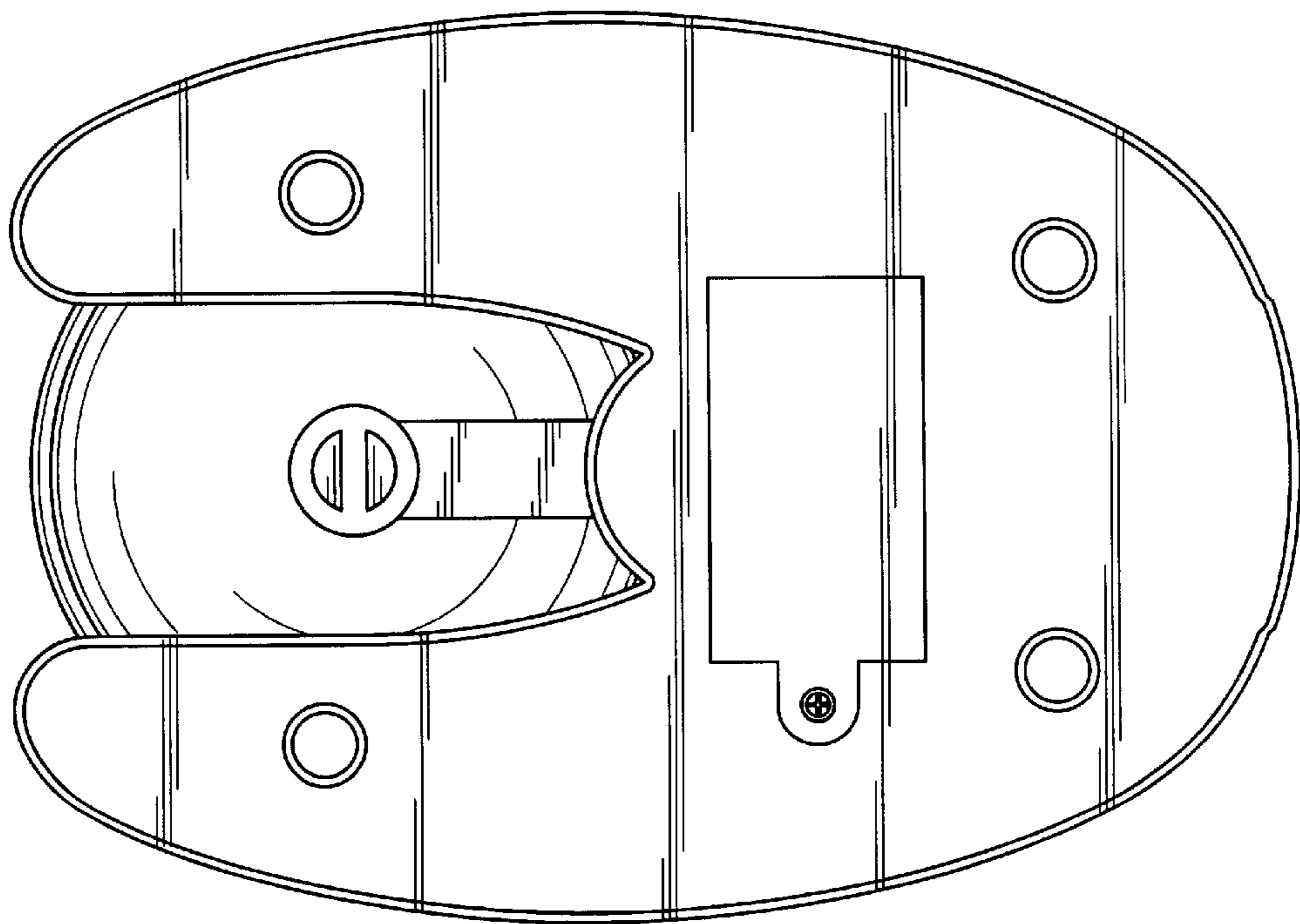


FIG. 7