



US00D457898S

(12) **United States Design Patent**
Fujii et al.

(10) **Patent No.:** **US D457,898 S**

(45) **Date of Patent:** **** May 28, 2002**

(54) **“HIGH-DUMP” GRASS COLLECTOR FOR LAWN TRACTOR**

(75) Inventors: **Takashi Fujii; Shoso Ishimori**, both of Sakai; **Nobuyuki Yamashita**, Izumi, all of (JP)

(73) Assignee: **Kubota Corporation (JP)**

(**) Term: **14 Years**

(21) Appl. No.: **29/137,916**

(22) Filed: **Mar. 1, 2001**

(30) **Foreign Application Priority Data**

Sep. 19, 2000 (JP) 2000-026171

(51) **LOC (7) Cl.** **15-03**

(52) **U.S. Cl.** **D15/28**

(58) **Field of Search** D15/23-28, 17; 414/471; 56/202-206, 320.2, 16.6

(56) **References Cited**

U.S. PATENT DOCUMENTS

- 3,744,653 A * 7/1973 Jensen 414/471
- 4,158,279 A * 6/1979 Jackson 56/202
- 4,922,696 A * 5/1990 Burns et al. 56/202

5,085,451 A * 2/1992 Schweigert

* cited by examiner

Primary Examiner—Mitchell Siegel

(74) *Attorney, Agent, or Firm*—Webb Ziesenheim Logsdon Orkin & Hanson, P.C.

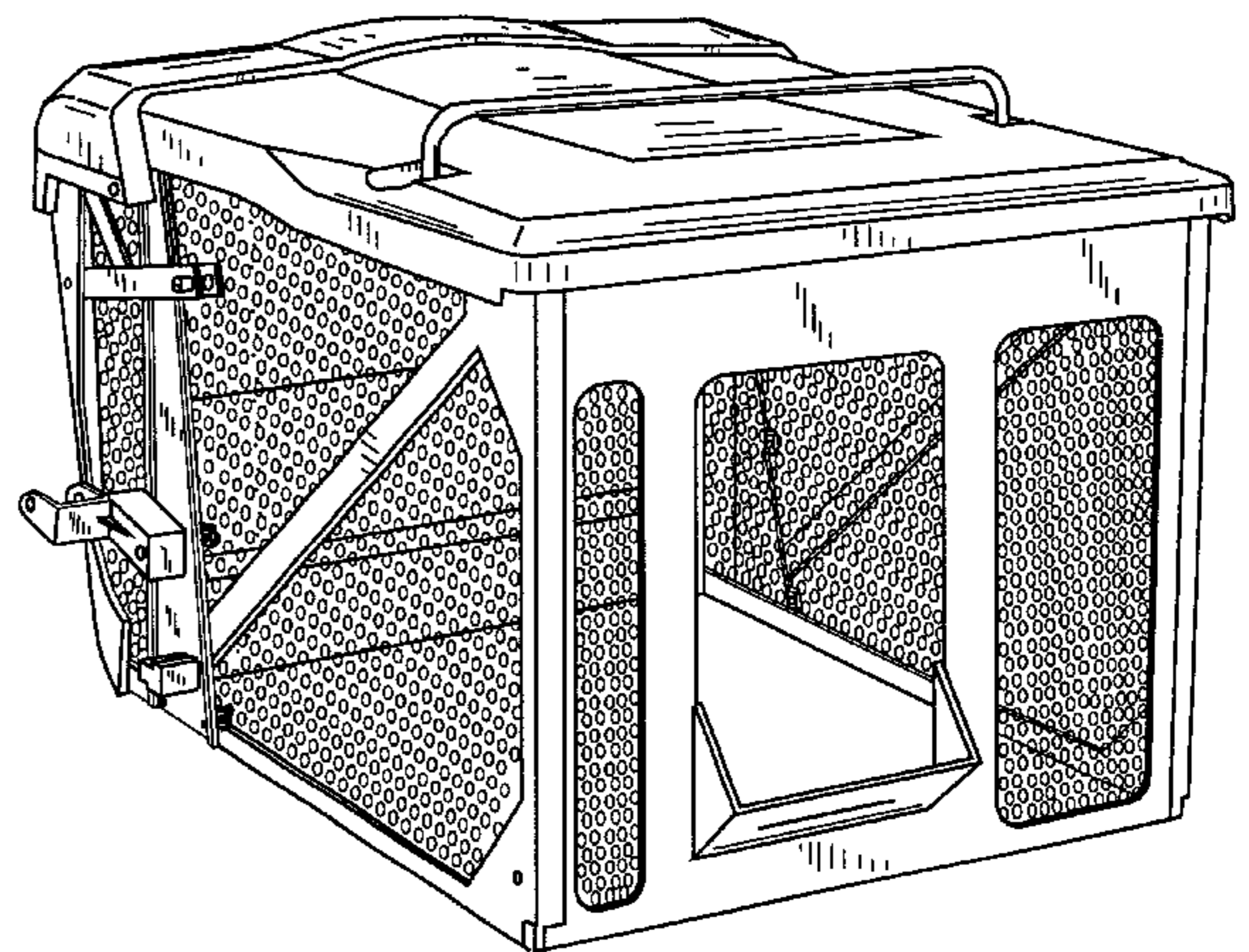
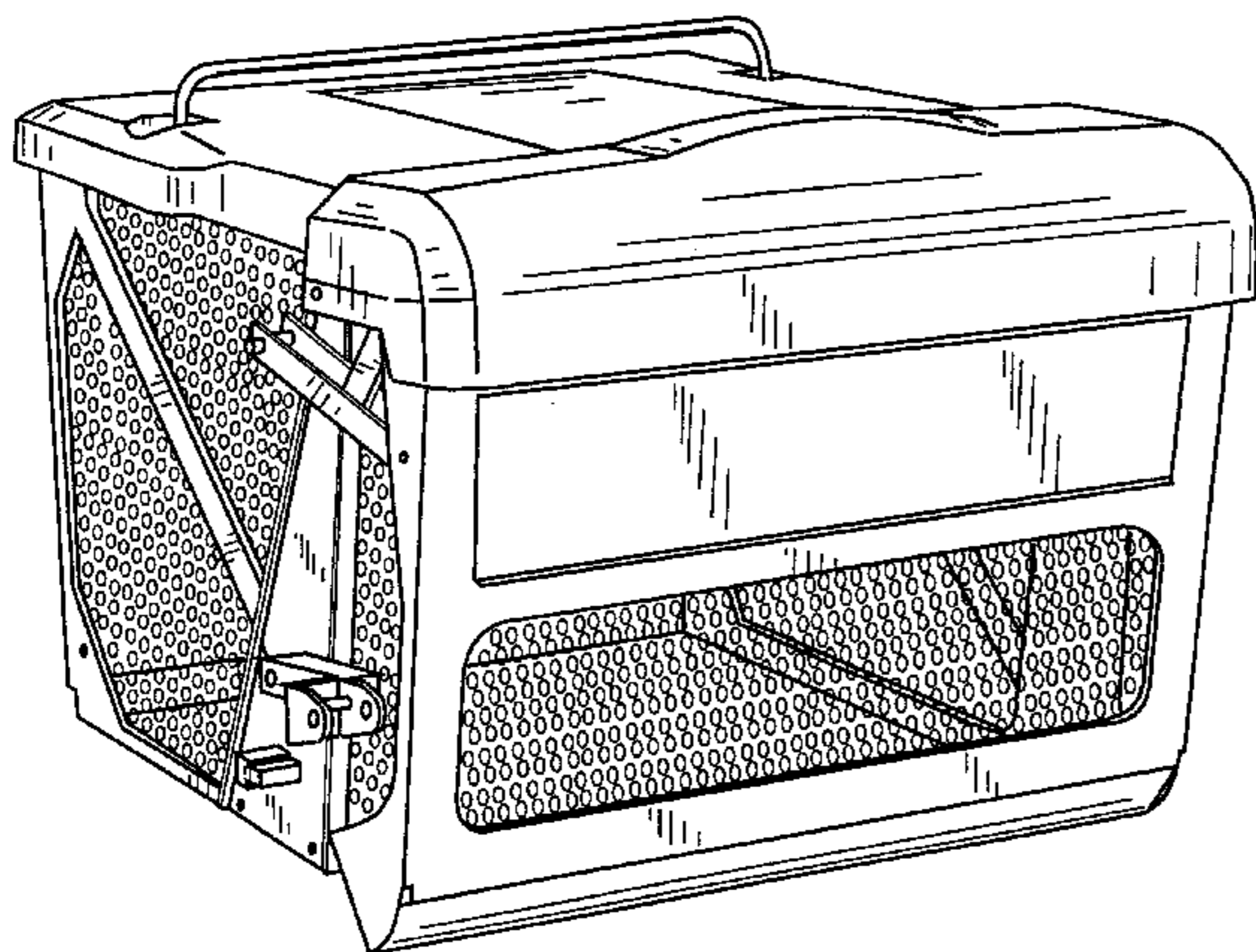
(57) **CLAIM**

The ornamental design for a “High-Dump” grass collector for lawn tractor, as shown and described.

DESCRIPTION

FIG. 1 is a Front View of our “High-Dump” grass collector for lawn tractor;
 FIG. 2 is a Rear View thereof;
 FIG. 3 is a Left Side View thereof;
 FIG. 4 is a Right Side View thereof;
 FIG. 5 is a Top Plan View thereof;
 FIG. 6 is a Bottom View thereof;
 FIG. 7 is a perspective view thereof;
 FIG. 8 is a perspective view thereof;
 FIG. 9 is a reduced front view thereof, the broken line showing of the tractor is for illustrative purposes only and forms no part of the claimed design; and,
 FIG. 10 is a reduced rear perspective of FIG. 9.

1 Claim, 6 Drawing Sheets



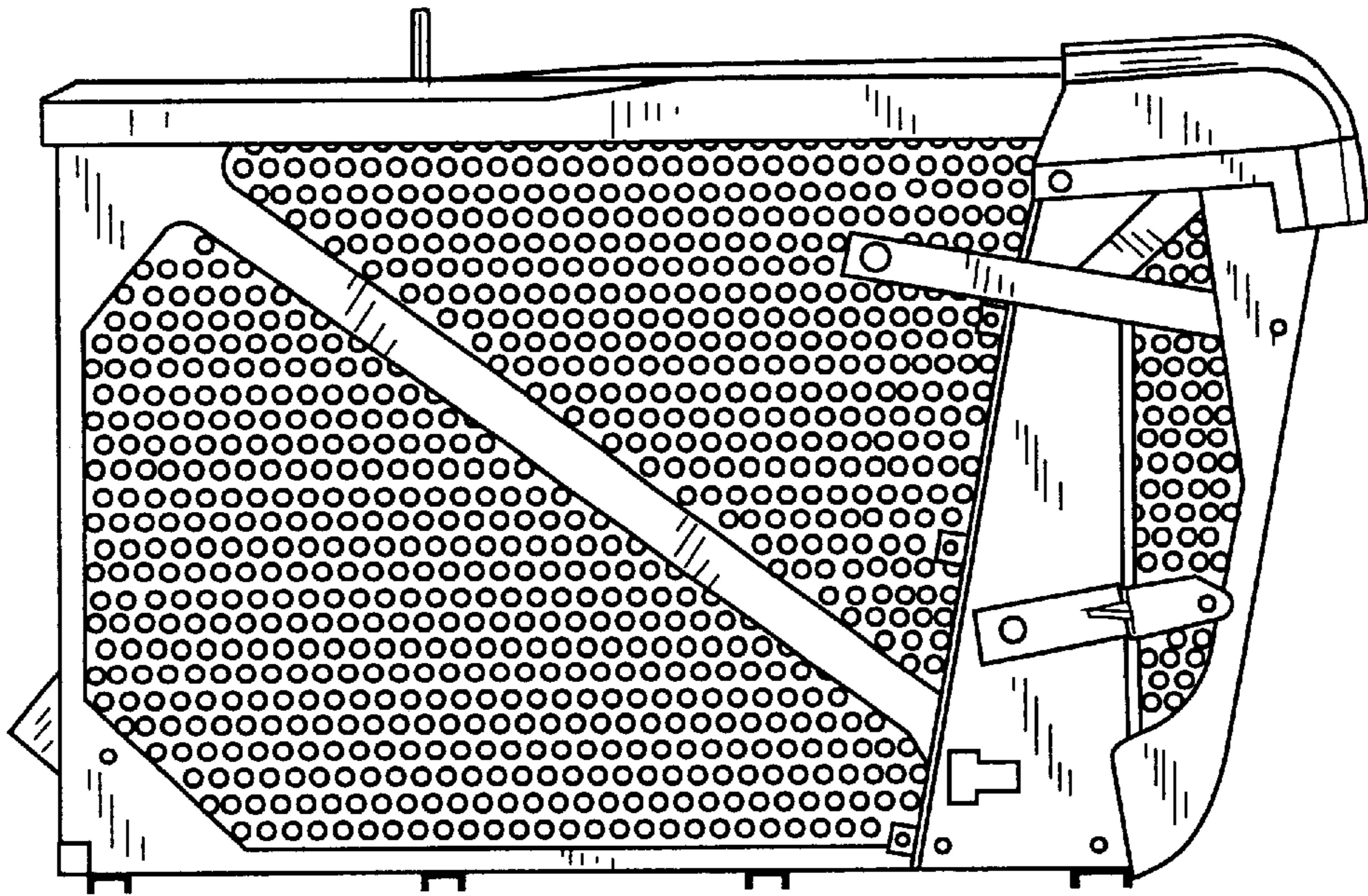


FIG. 1

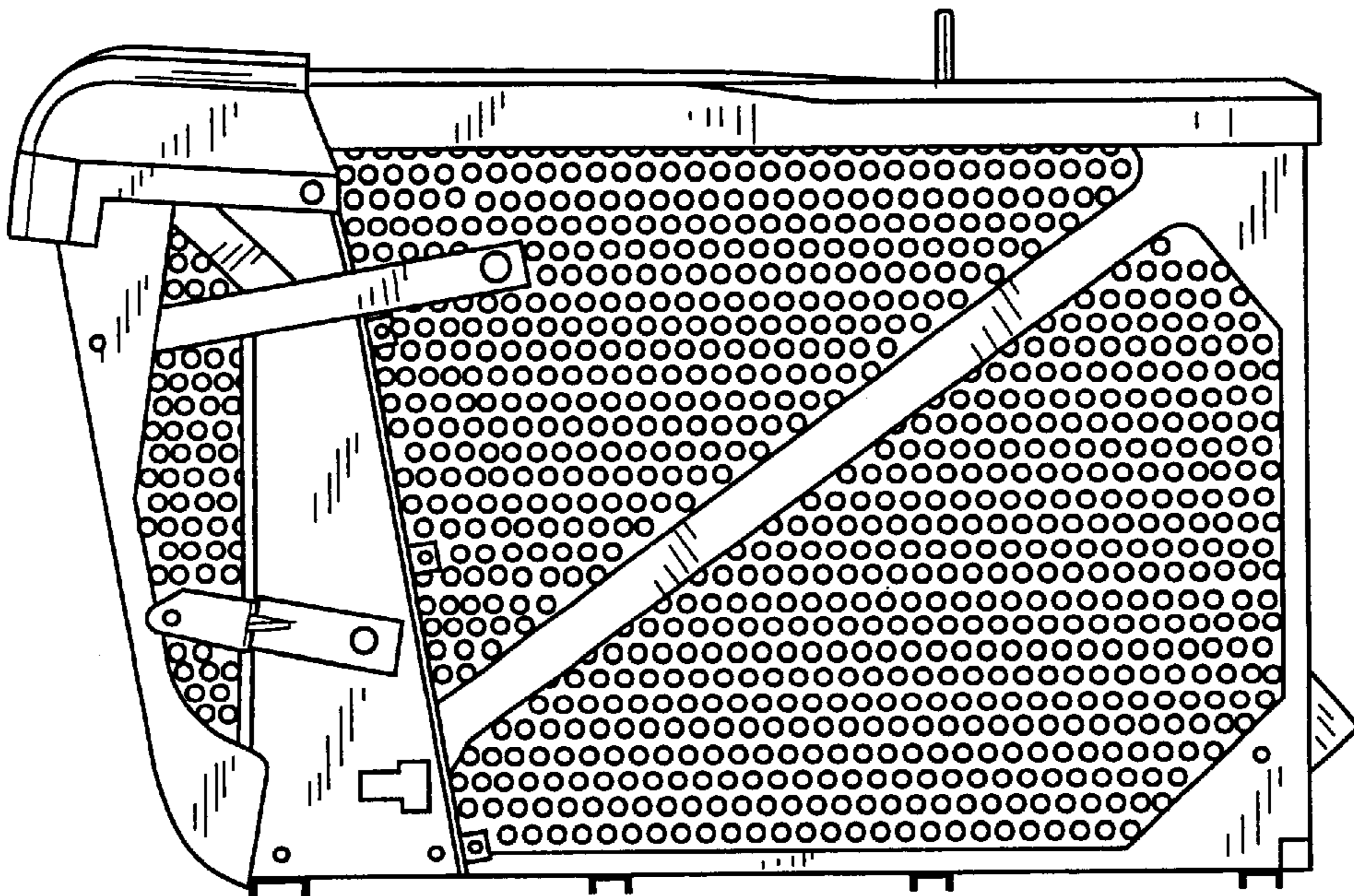


FIG. 2

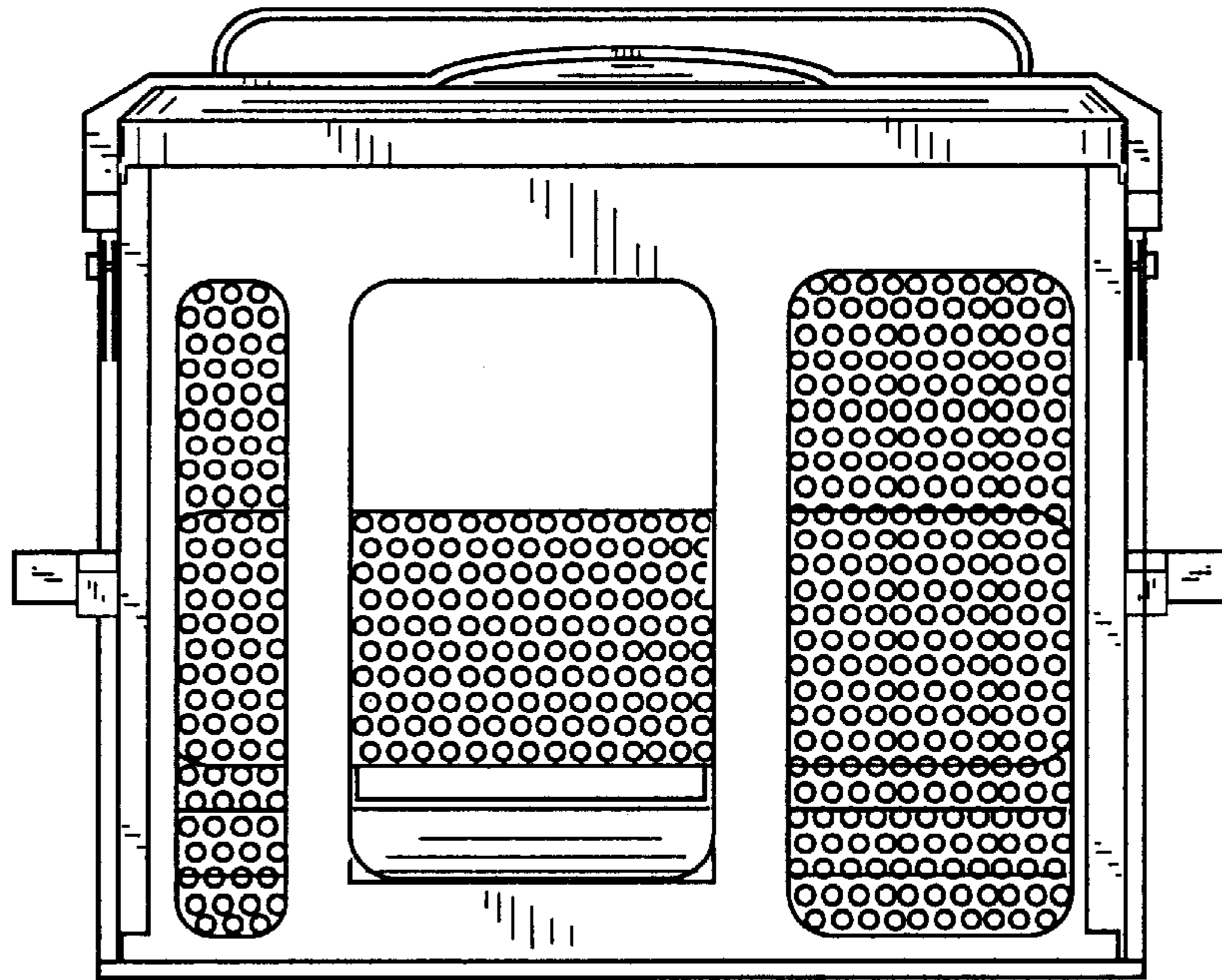


FIG. 3

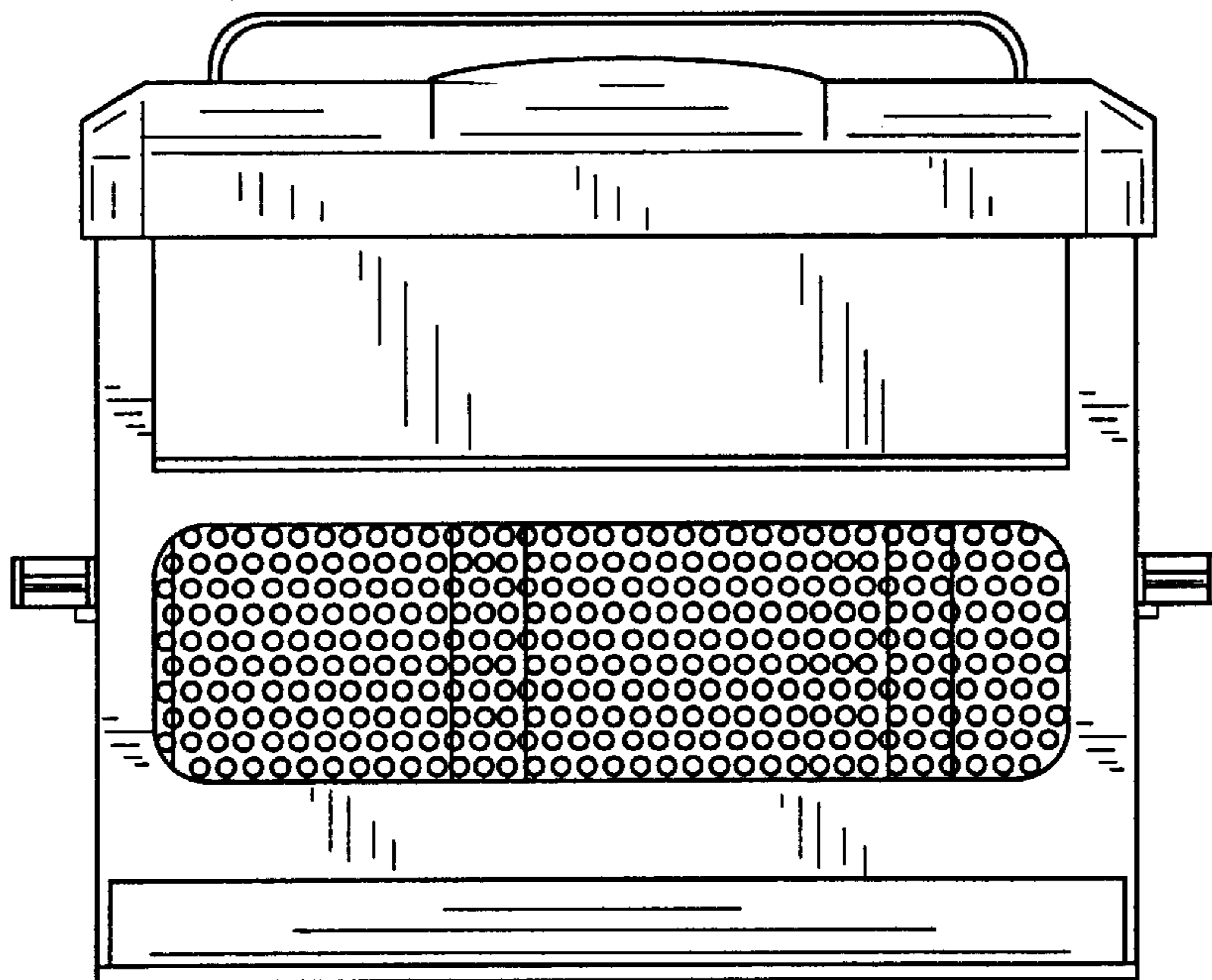


FIG. 4

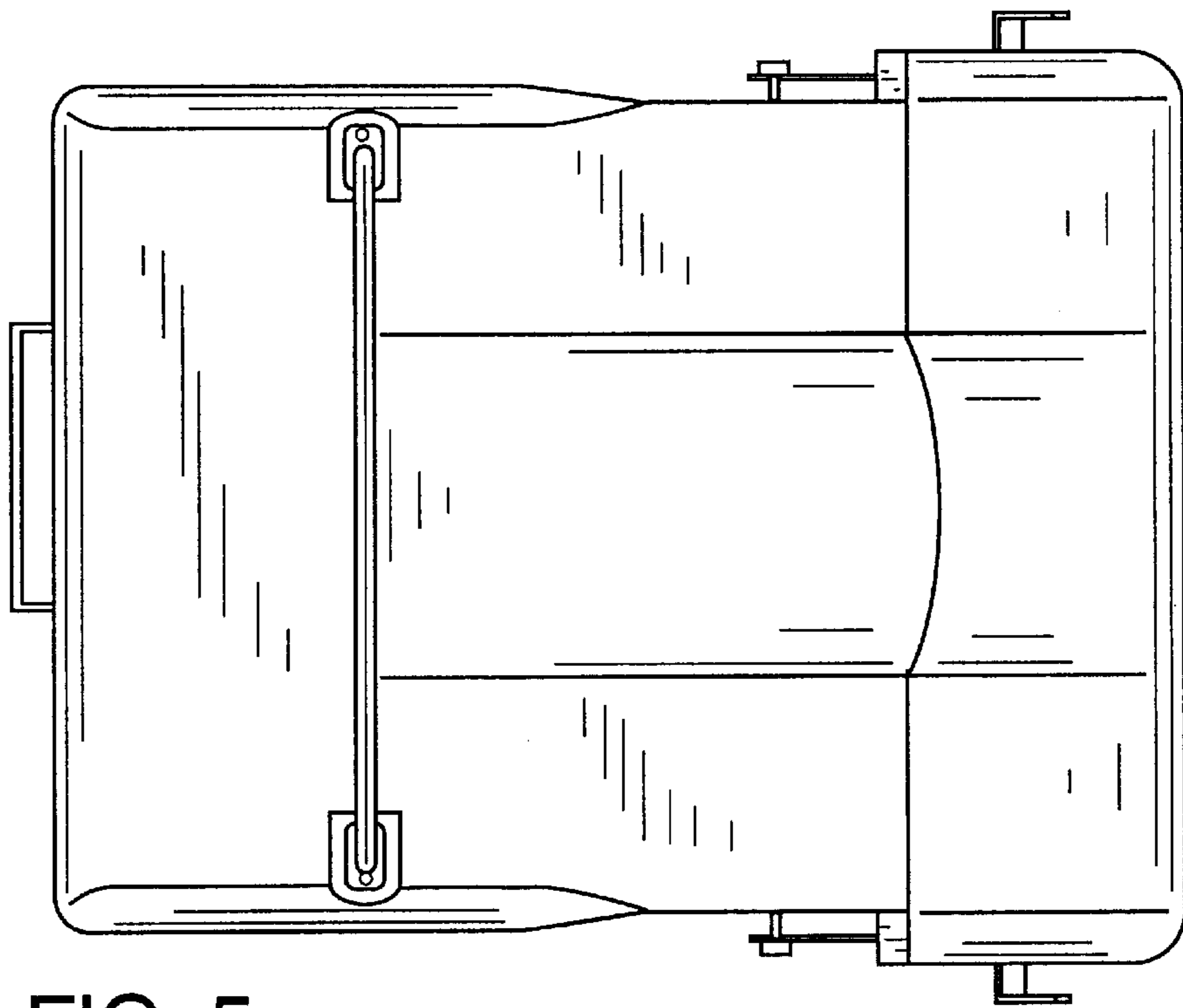


FIG. 5

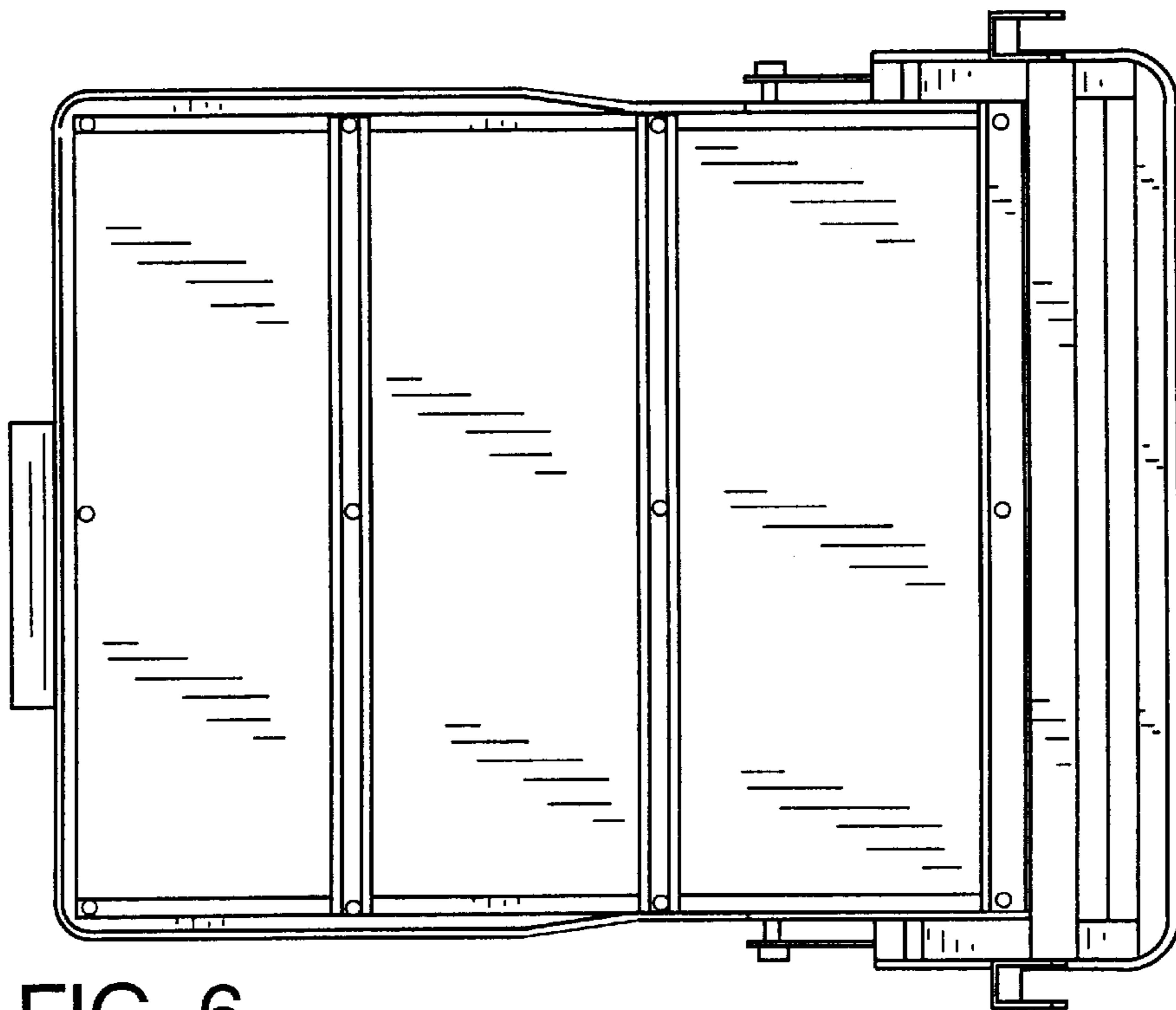


FIG. 6

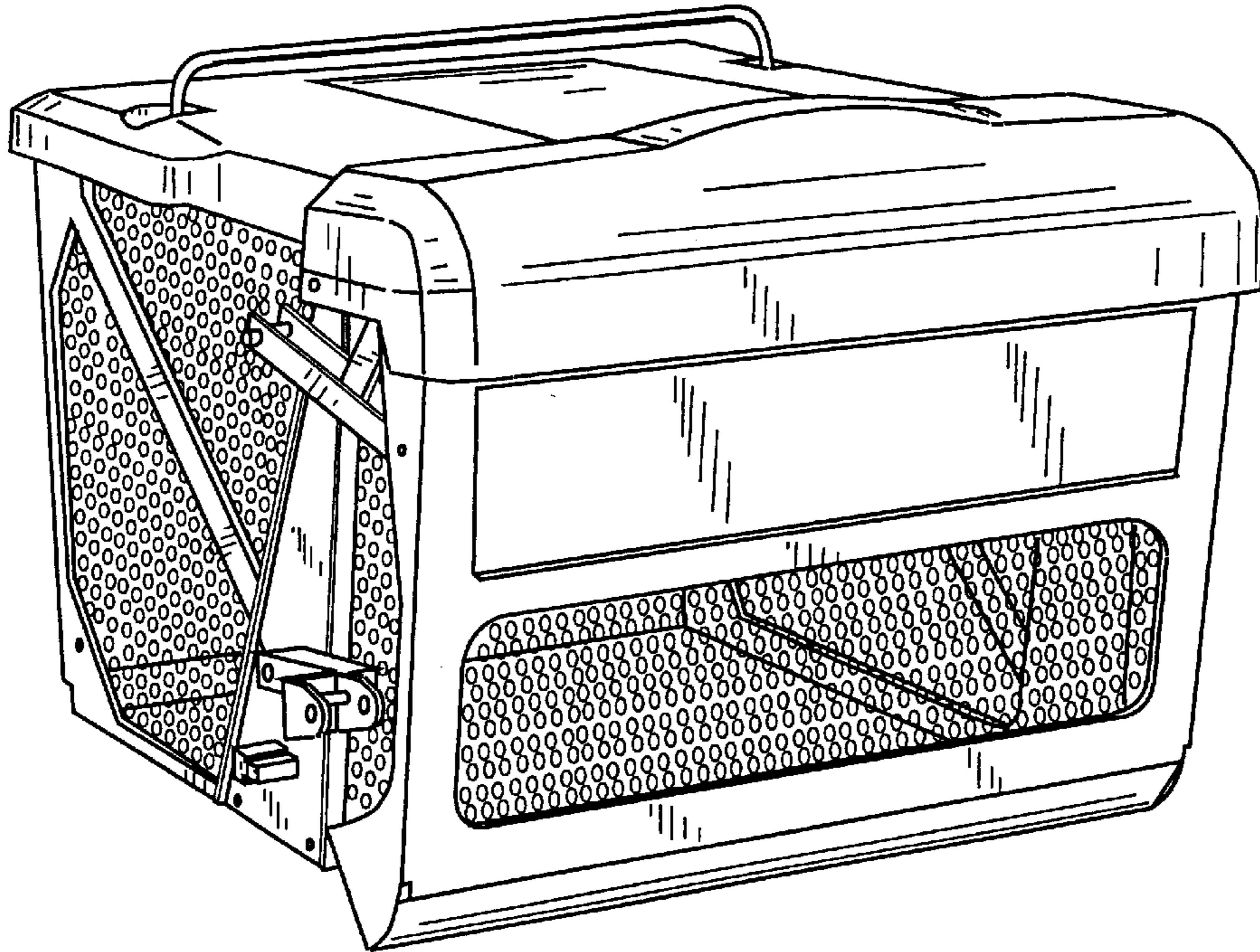


FIG. 7

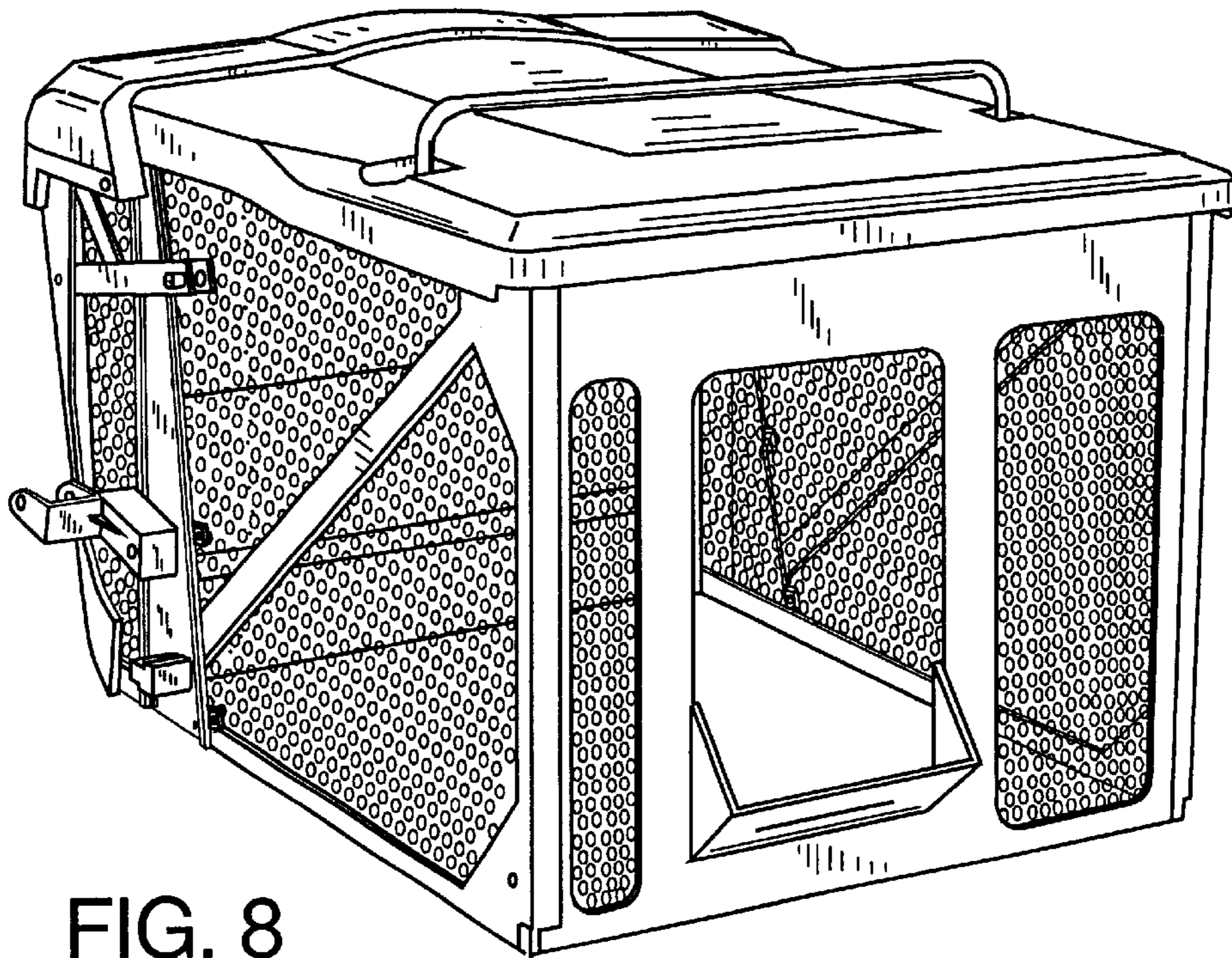


FIG. 8

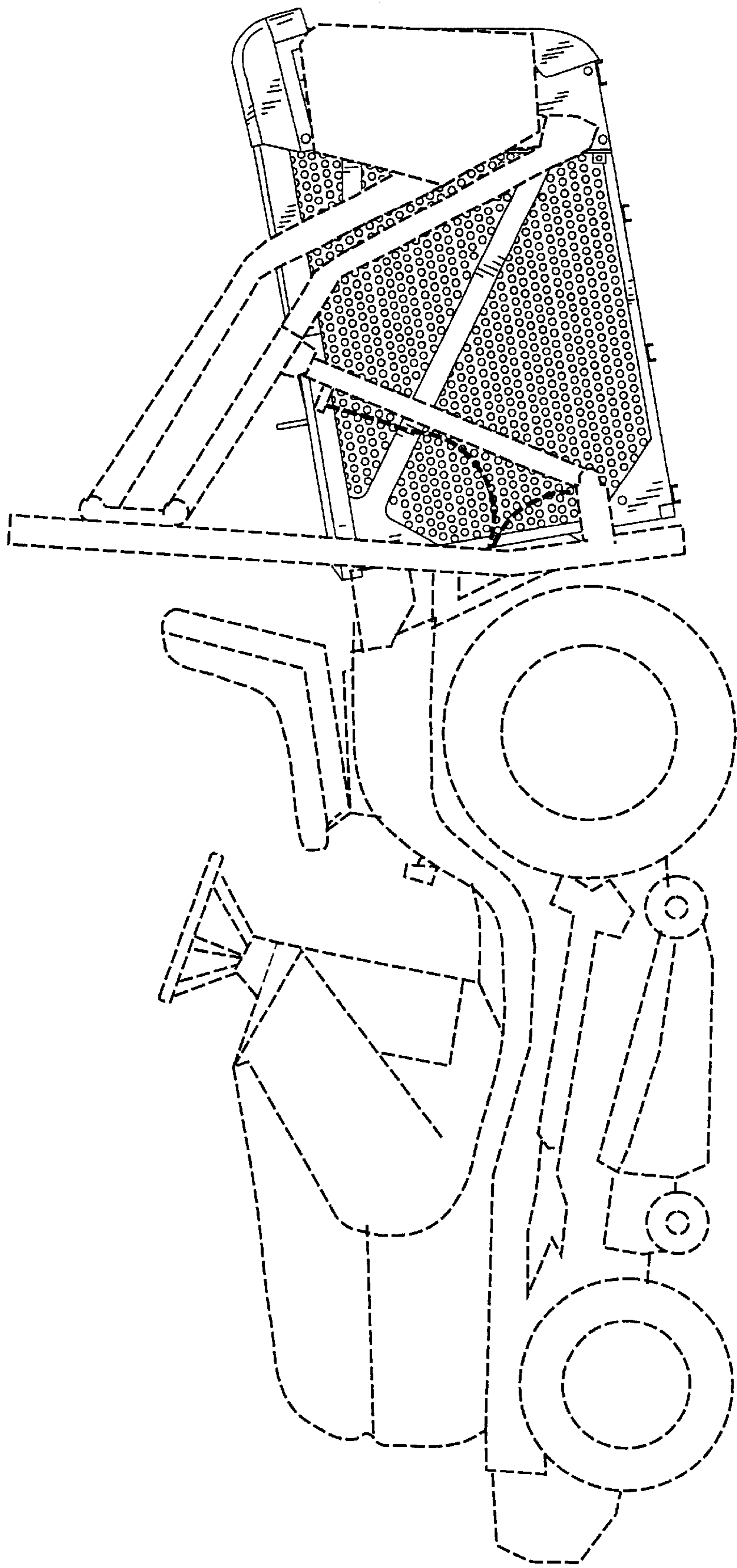


FIG. 9

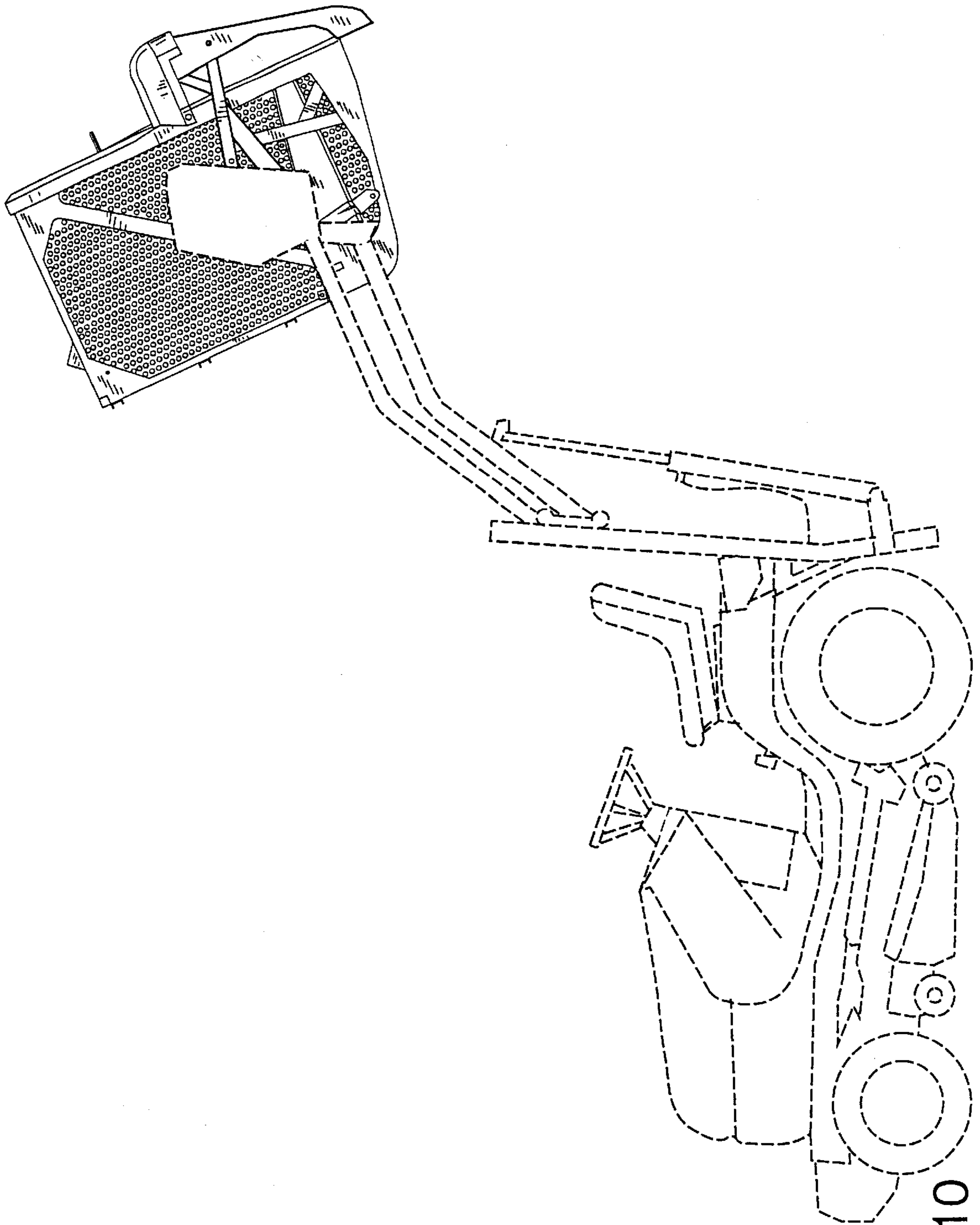


FIG. 10