



US00D457897S

(12) **United States Design Patent**
Jong

(10) **Patent No.:** **US D457,897 S**

(45) **Date of Patent:** **** May 28, 2002**

(54) **LAWN MOWER**

(75) **Inventor:** **Jung-Chang Jong, Chungli (TW)**

(73) **Assignee:** **Jenn Feng Industrial Co., Ltd.,
Taoyuan (TW)**

(**) **Term:** **14 Years**

(21) **Appl. No.:** **29/139,384**

(22) **Filed:** **Mar. 28, 2001**

(51) **LOC (7) Cl.** **15-03**

(52) **U.S. Cl.** **D15/14**

(58) **Field of Search** D15/14, 16-18;
56/11.9, 17.5, 13.4, 12.8, 16.7, 202, 255,
294, 295, 320.1, 320.2

(56) **References Cited**

U.S. PATENT DOCUMENTS

- D330,210 S * 10/1992 Sirois et al. D15/14
- D333,309 S 2/1993 Kristoffer et al.
- D346,810 S 5/1994 Howard et al.

- D374,017 S * 9/1996 Chunn et al. D15/14
- D419,163 S 1/2000 Michael et al.
- D426,836 S 6/2000 Michael et al.
- D450,064 S * 11/2001 Concari et al. D15/14

* cited by examiner

Primary Examiner—Mitchell Siegel

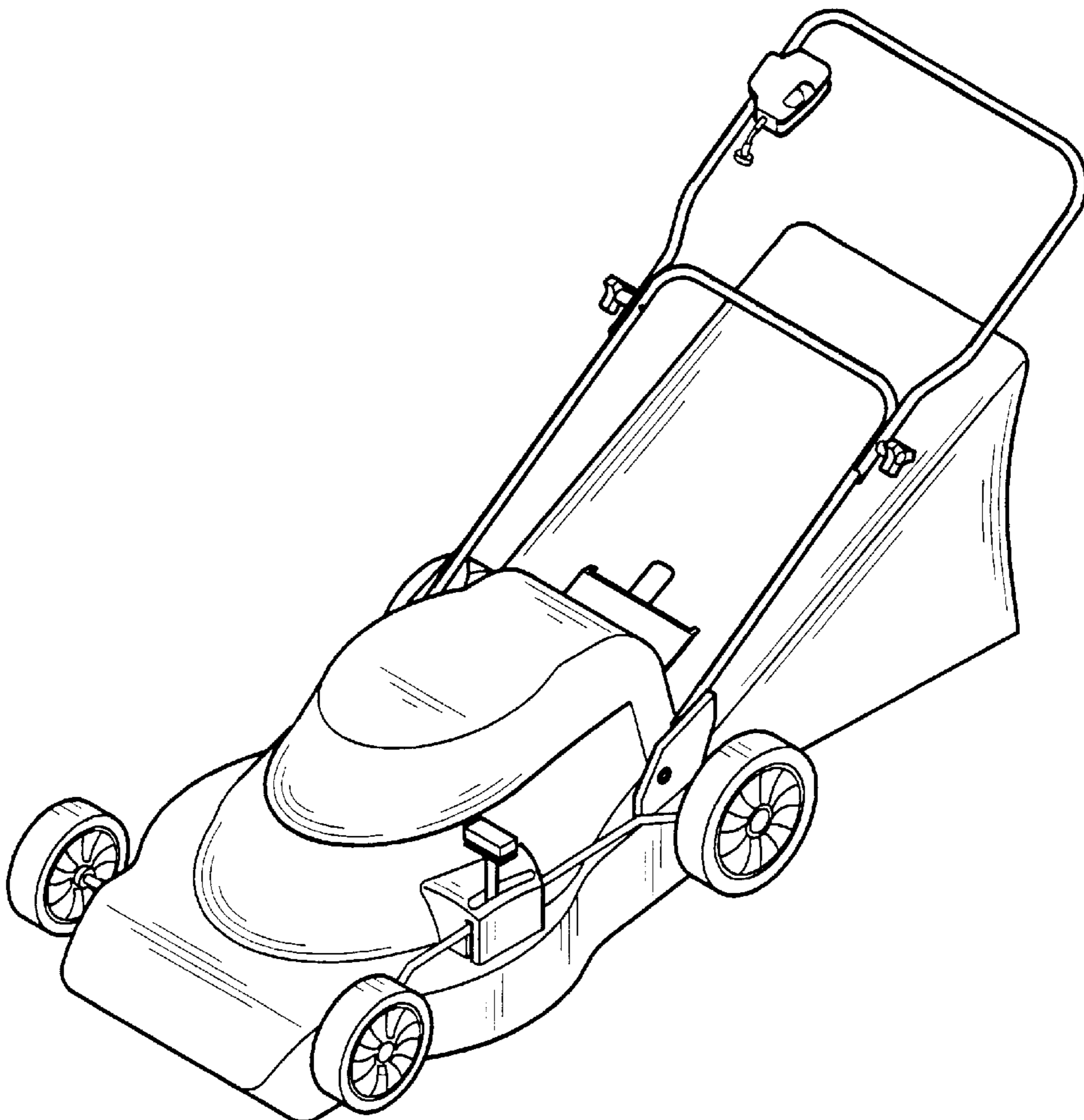
(57) **CLAIM**

The ornamental design for lawn mower, as shown and described.

DESCRIPTION

FIG. 1 is a perspective view of lawn mower showing showing my new design;
 FIG. 2 is a front elevational view thereof;
 FIG. 3 is a rear elevational view thereof;
 FIG. 4 is a left side elevational view thereof;
 FIG. 5 is right side elevational view thereof;
 FIG. 6 is a top view thereof; and,
 FIG. 7 is a bottom view thereof.

1 Claim, 7 Drawing Sheets



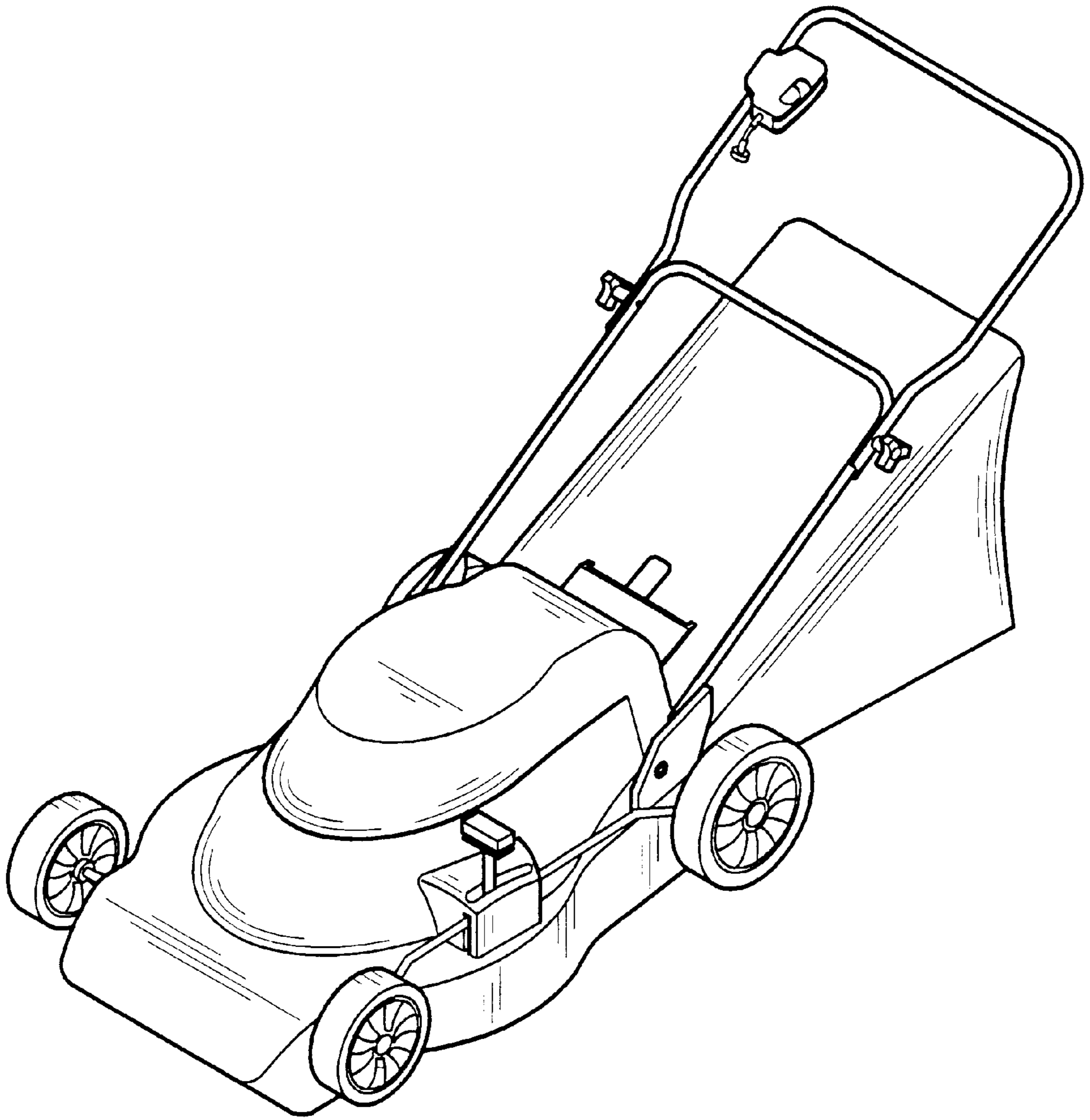


FIG. 1

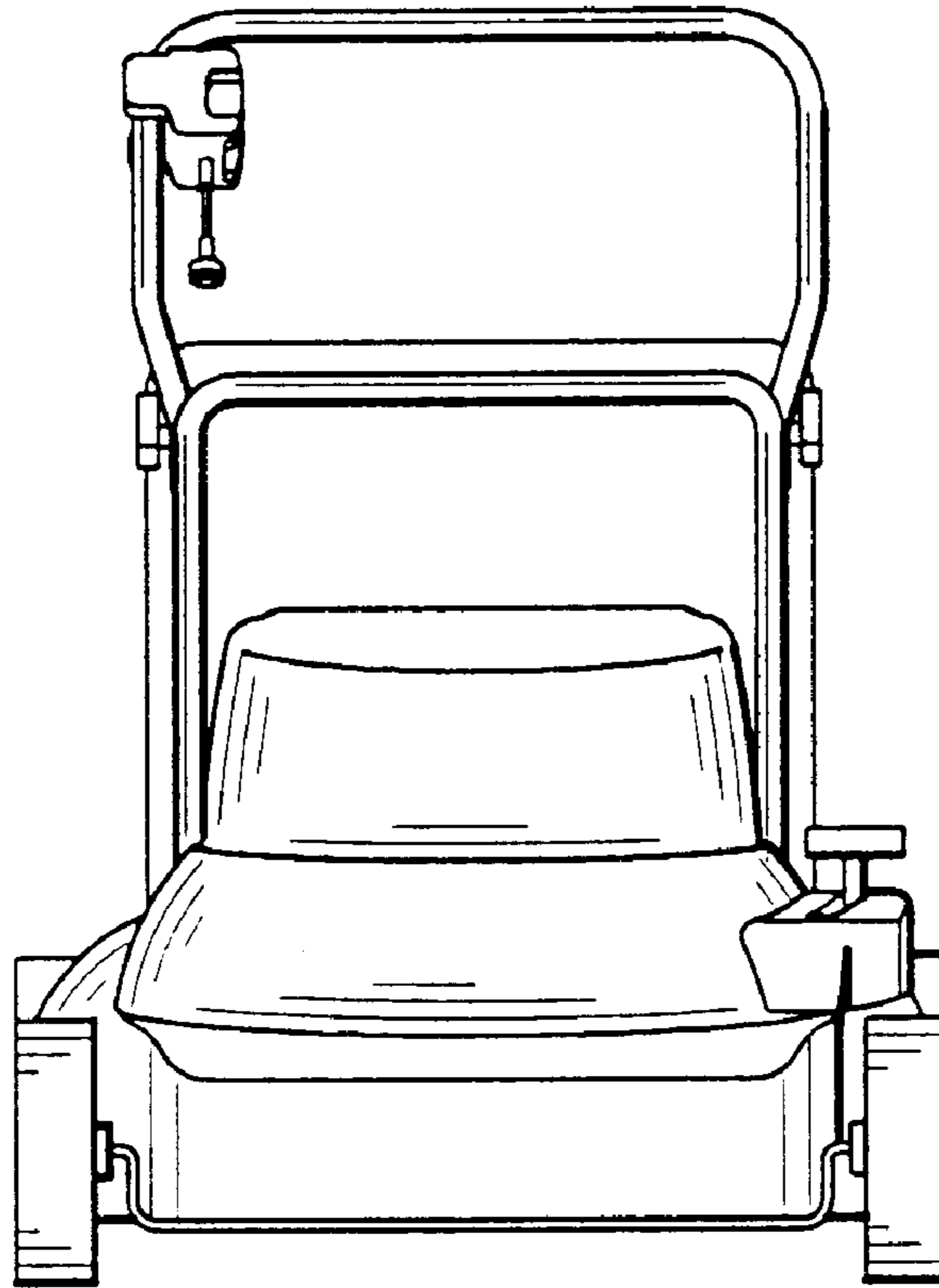


FIG. 2

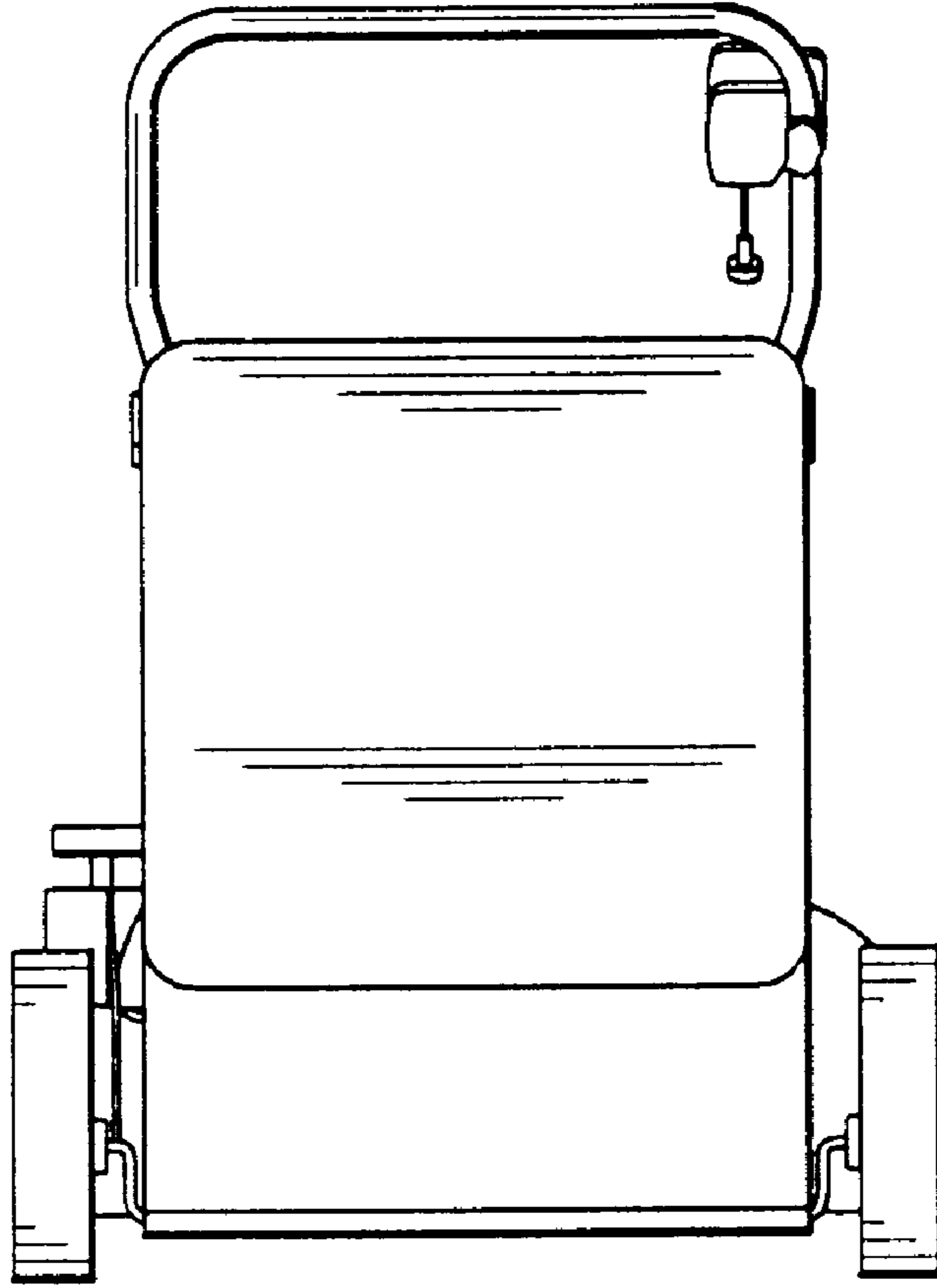


FIG. 3

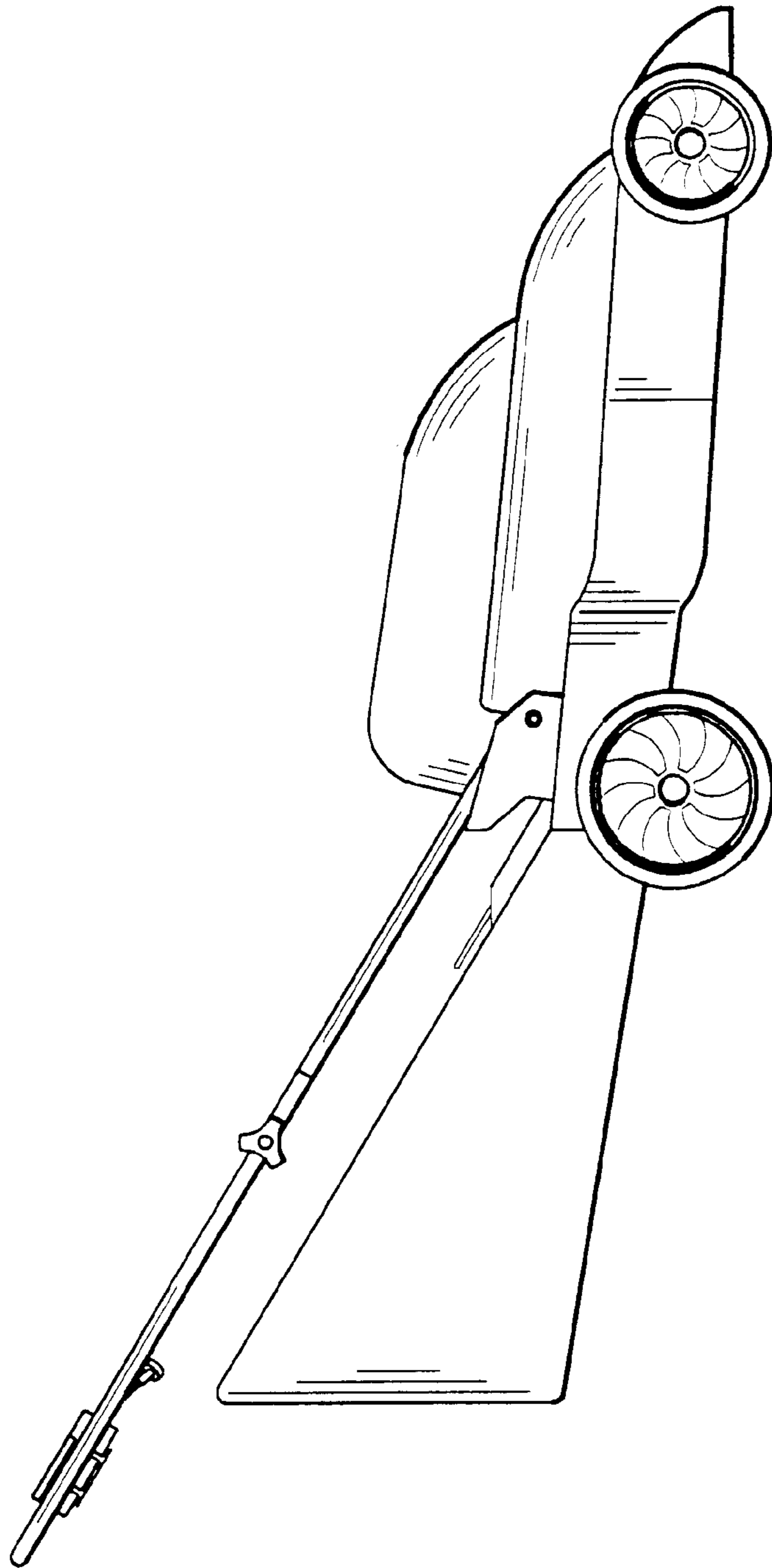


FIG. 4

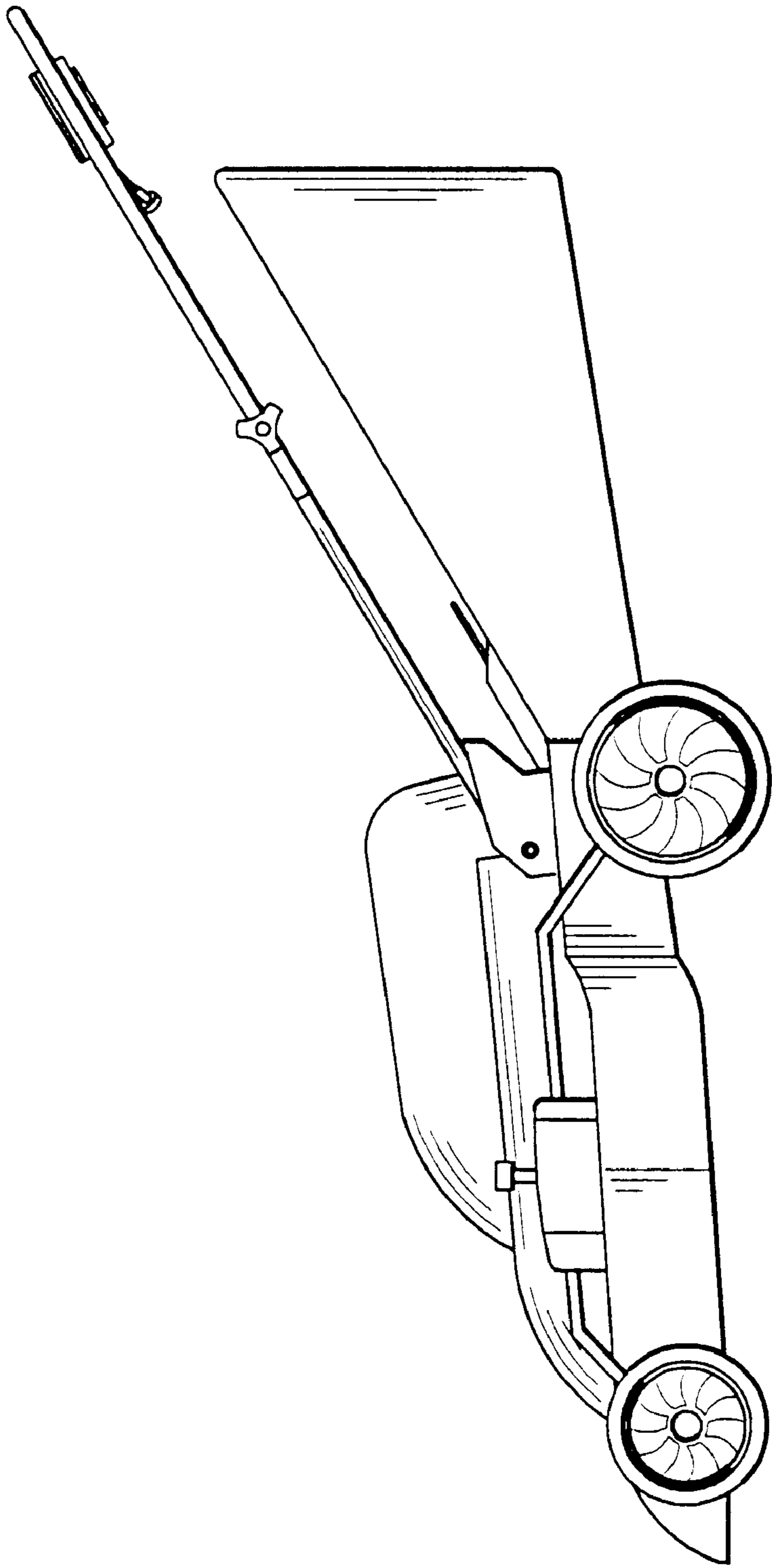


FIG. 5

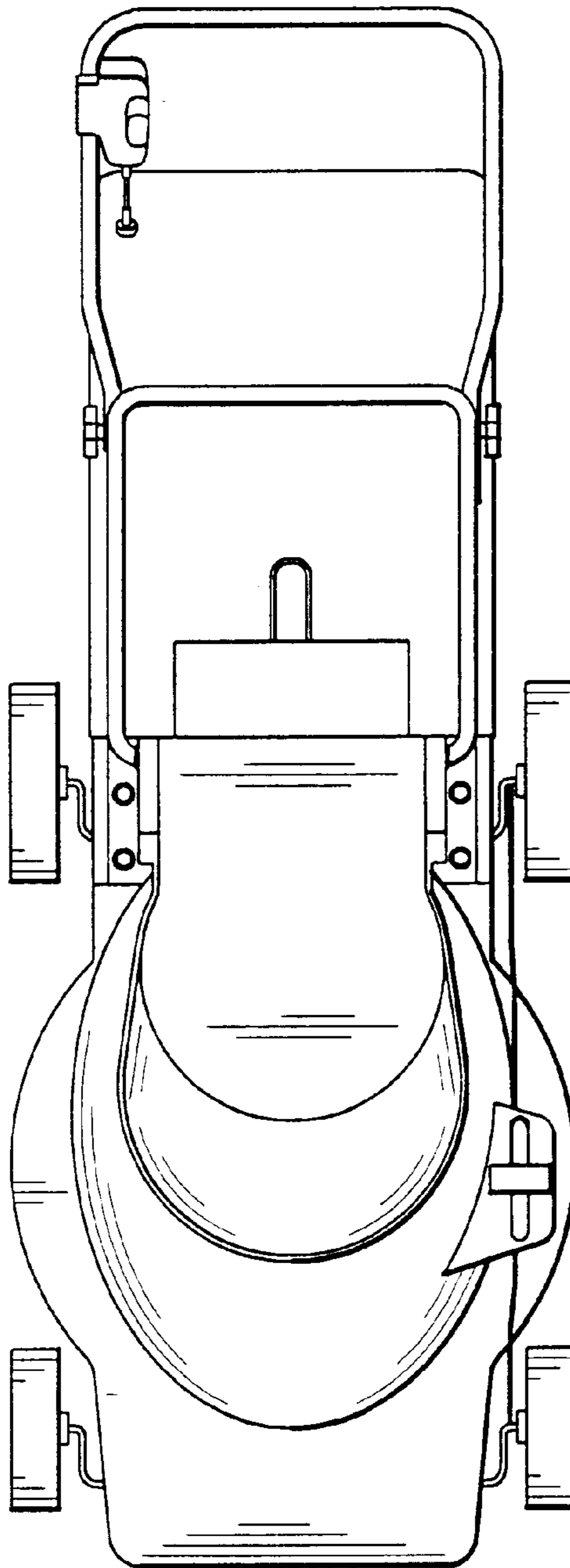


FIG. 6

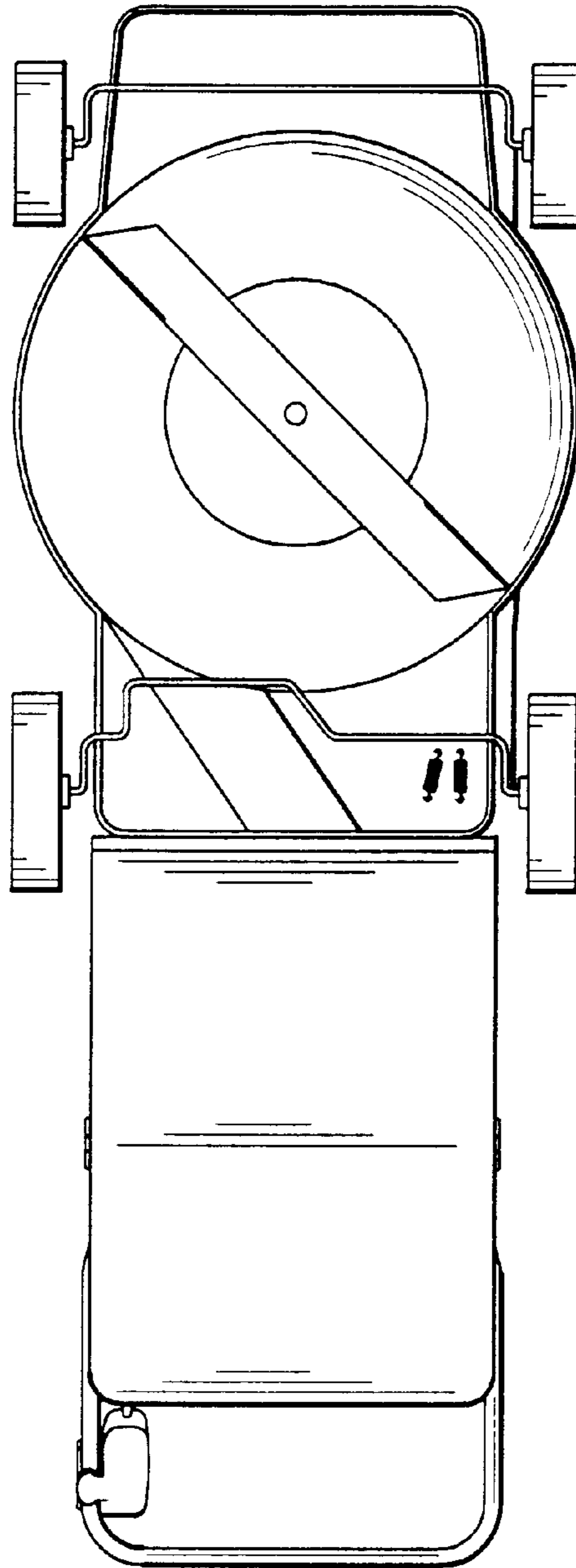


FIG. 7