



US00D457896S

(12) **United States Design Patent**
Braswell

(10) **Patent No.:** **US D457,896 S**

(45) **Date of Patent:** **** May 28, 2002**

(54) **CARBURETOR FLOAT BOWL**

(75) Inventor: **David Braswell**, Marana, AZ (US)

(73) Assignee: **POW Engineering, Inc.**, Marana, AZ (US)

(**) Term: **14 Years**

(21) Appl. No.: **29/140,625**

(22) Filed: **Apr. 20, 2001**

(51) **LOC (7) Cl.** **15-01**

(52) **U.S. Cl.** **D15/6**

(58) **Field of Search** **D15/1-6**

(56) **References Cited**

U.S. PATENT DOCUMENTS

- D218,493 S * 8/1970 Garner D15/6
- D375,102 S * 10/1996 De Himer D15/6
- 5,863,470 A * 1/1999 Grant 261/23.2

OTHER PUBLICATIONS

- 7 Holley Carburetor photographs, numbered 1 through 7.
- 6 BG Carburetor photographs, numbered 8 through 13.

* cited by examiner

Primary Examiner—Melody N. Brown

(74) *Attorney, Agent, or Firm*—Birdwell, Janke & Durando, PLC

(57) **CLAIM**

The ornamental design for a carburetor float bowl, substantially as shown and described.

DESCRIPTION

FIG. 1 is a perspective view of a carburetor float bowl showing my new design.

FIG. 2 is a front elevation view thereof.

FIG. 3 is a right side elevation view thereof.

FIG. 4 is a left side elevation view thereof.

FIG. 5 is a rear elevation view thereof.

FIG. 6 is a bottom view thereof; and,

FIG. 7 is a top view thereof.

The broken line shown throughout the drawing are for illustrative purposes only and form no part of the claimed design.

1 Claim, 2 Drawing Sheets

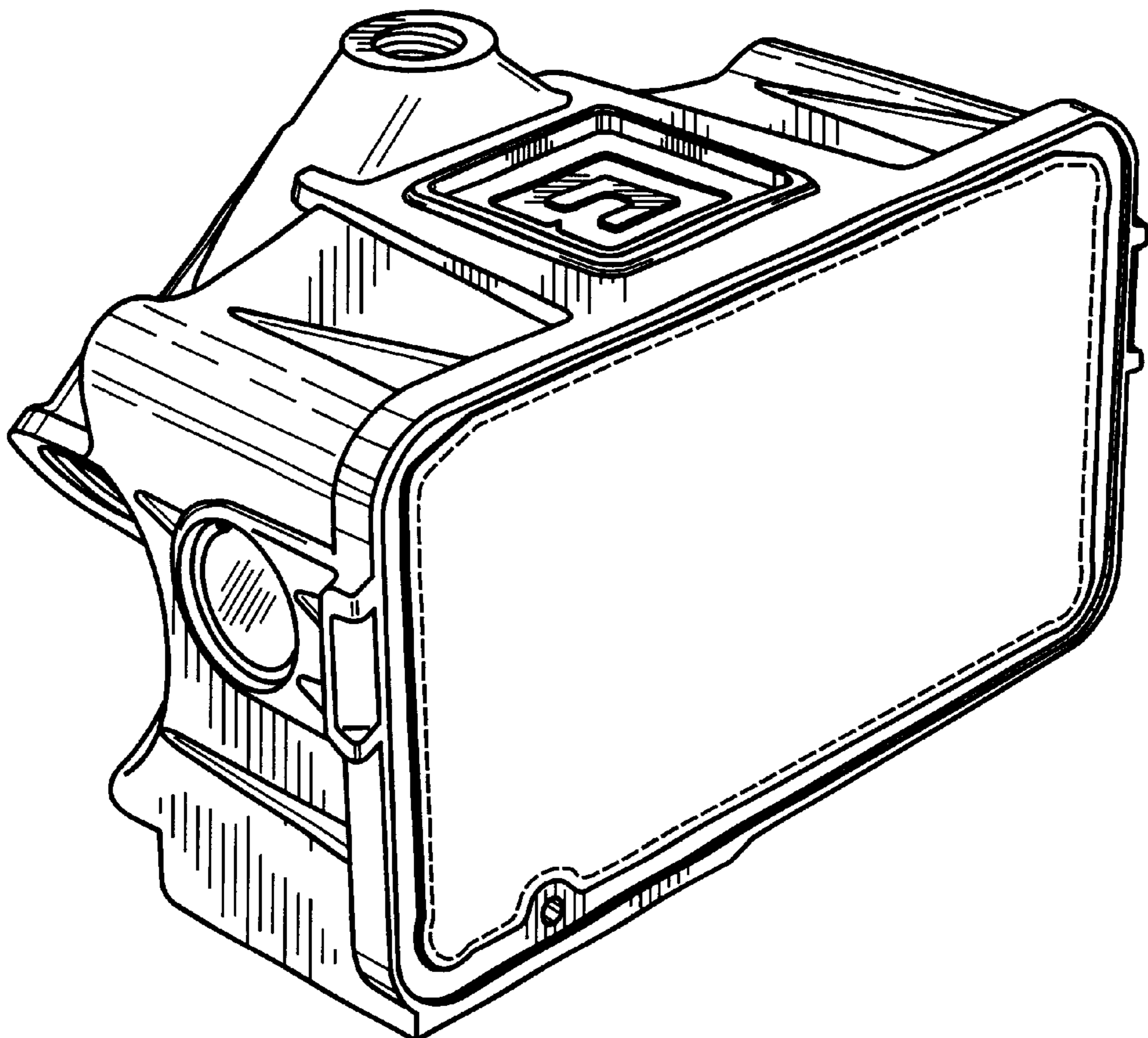


Fig. 1

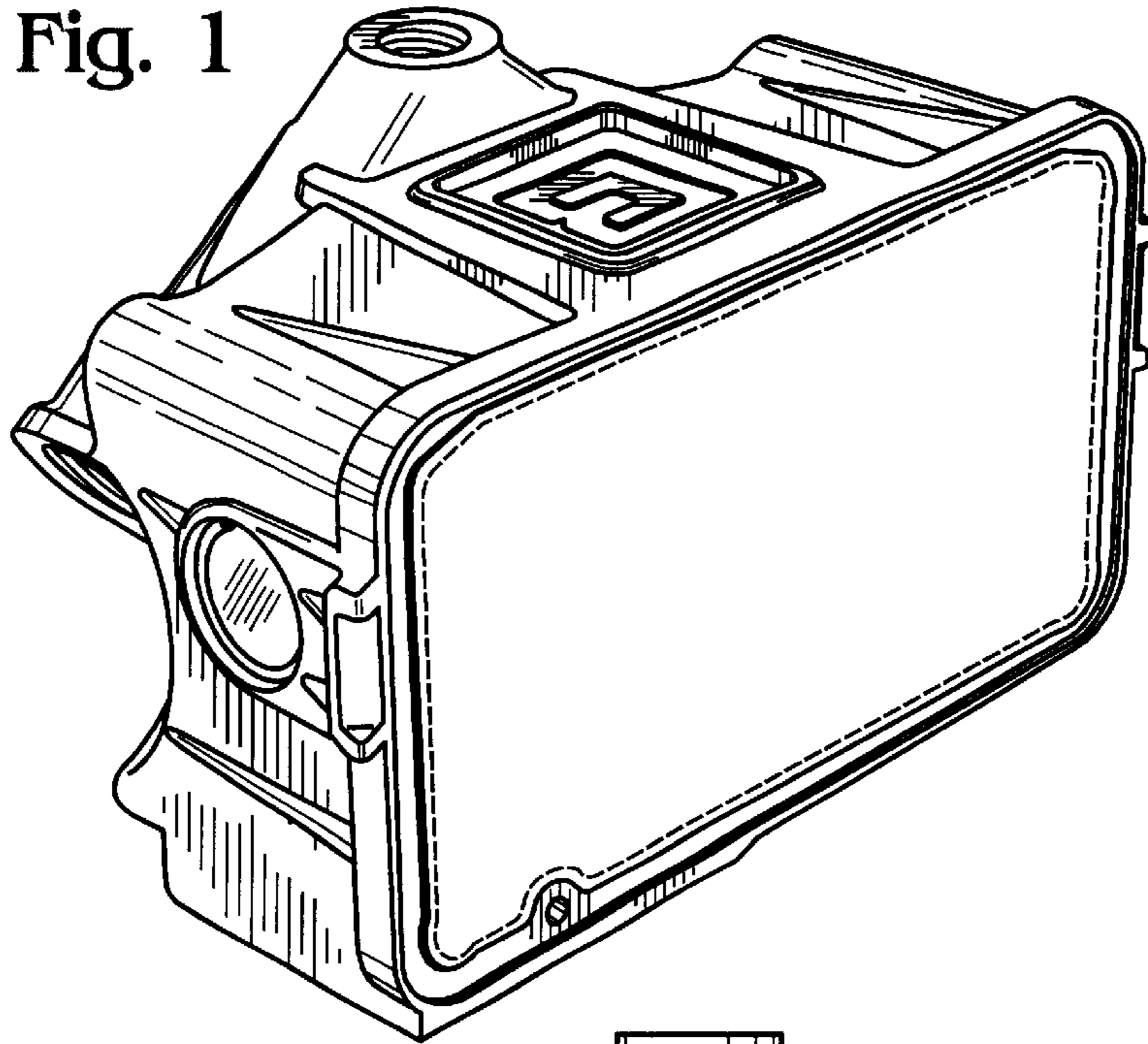


Fig. 2

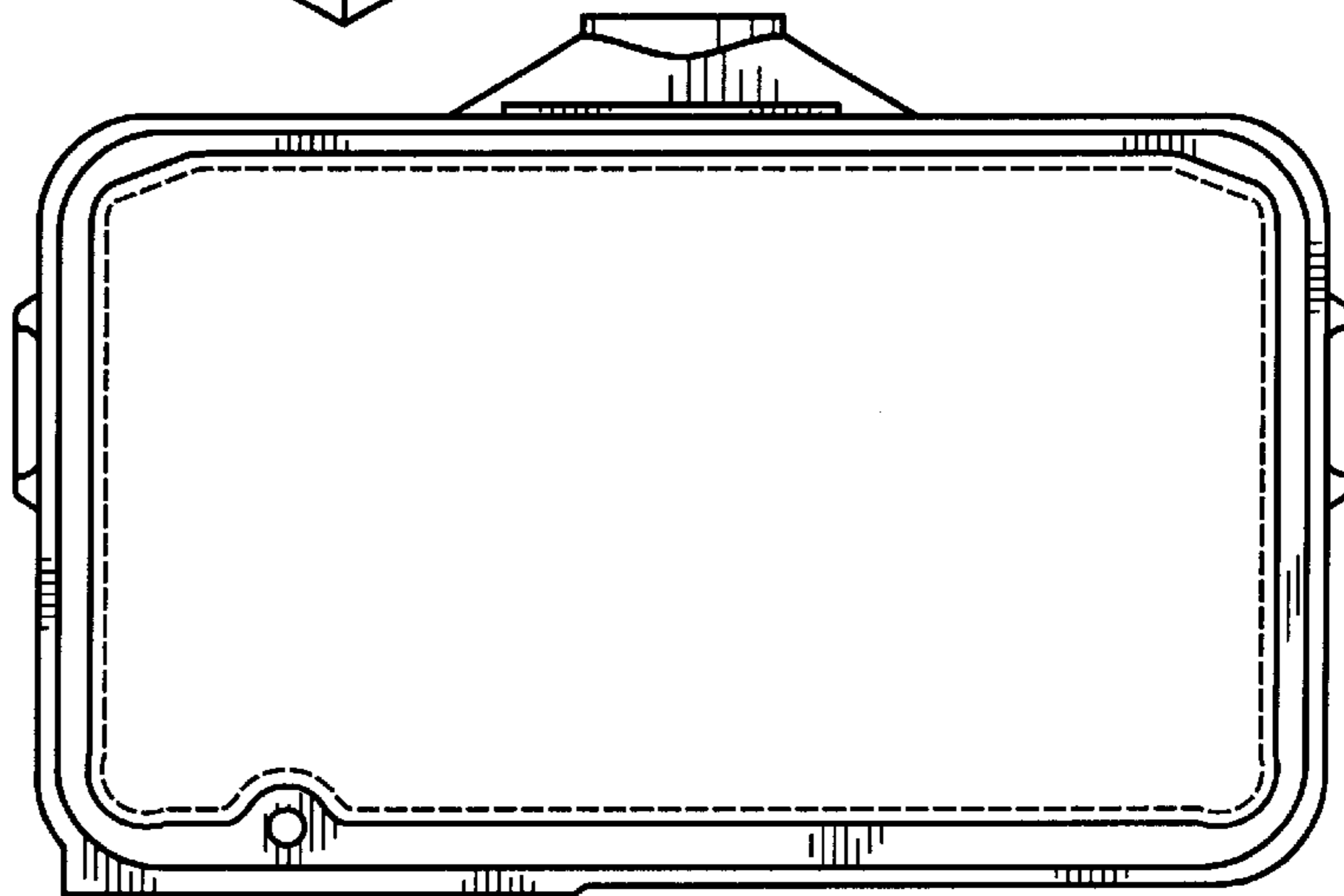


Fig. 3

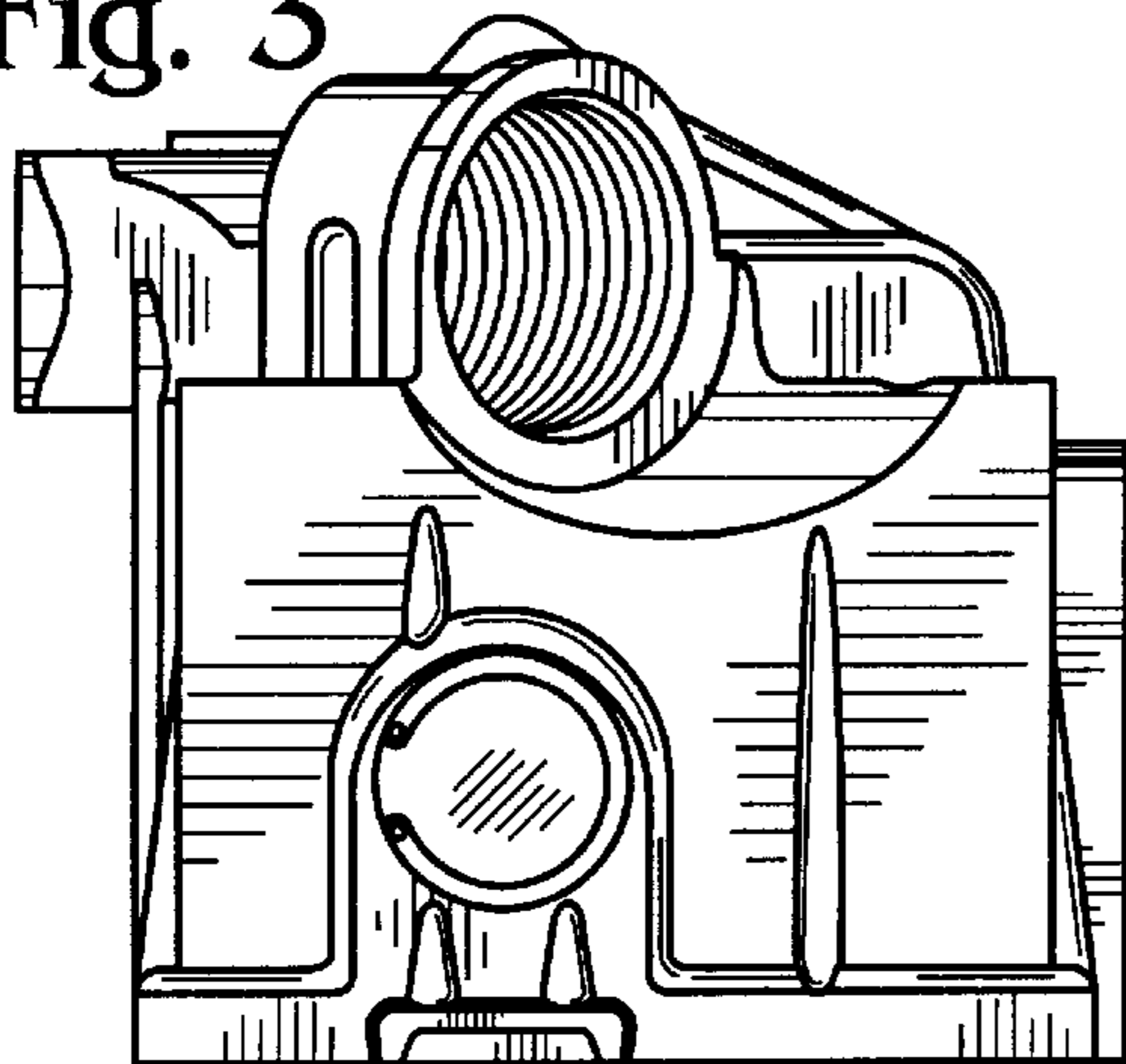


Fig. 4

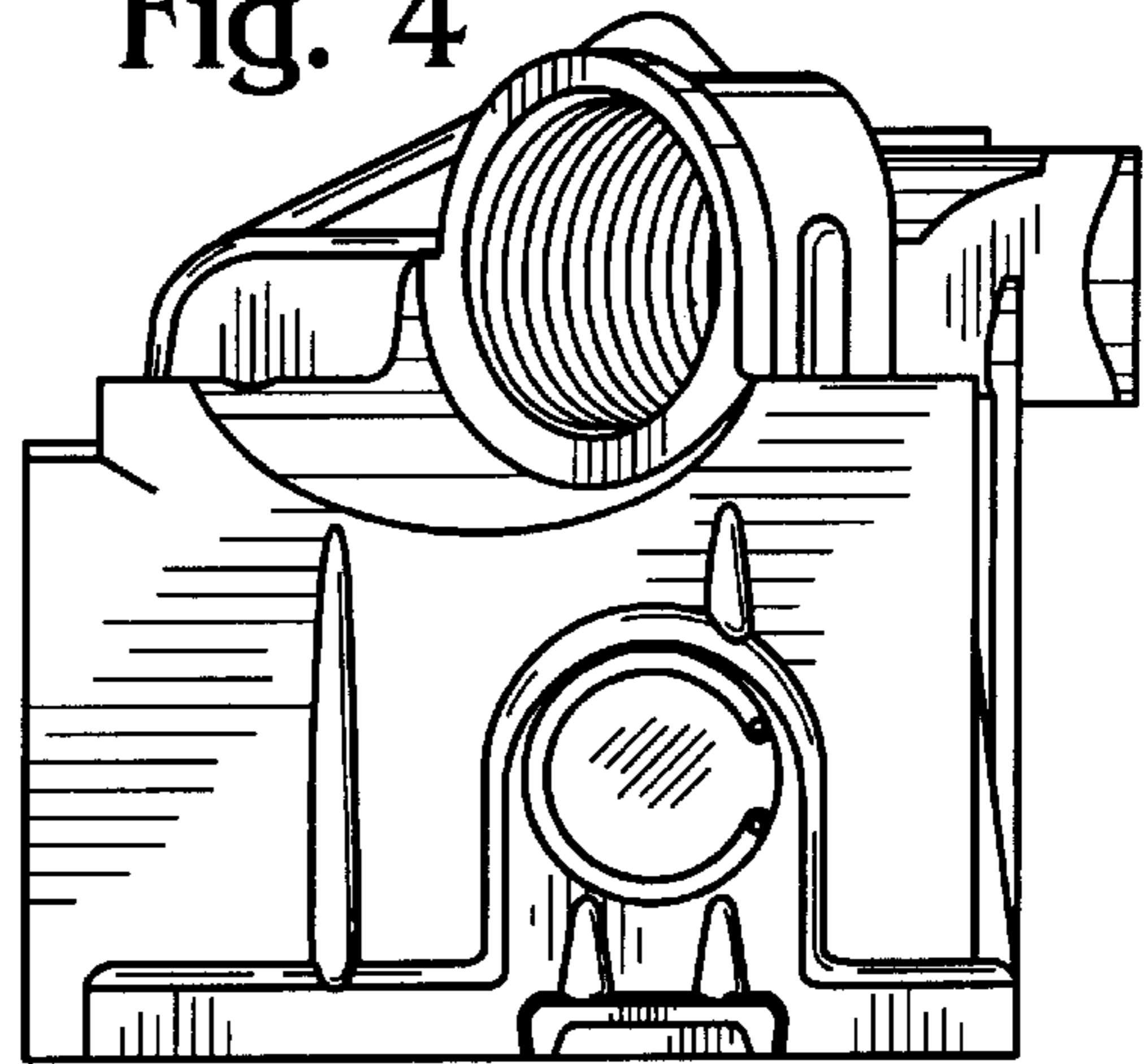


Fig. 5

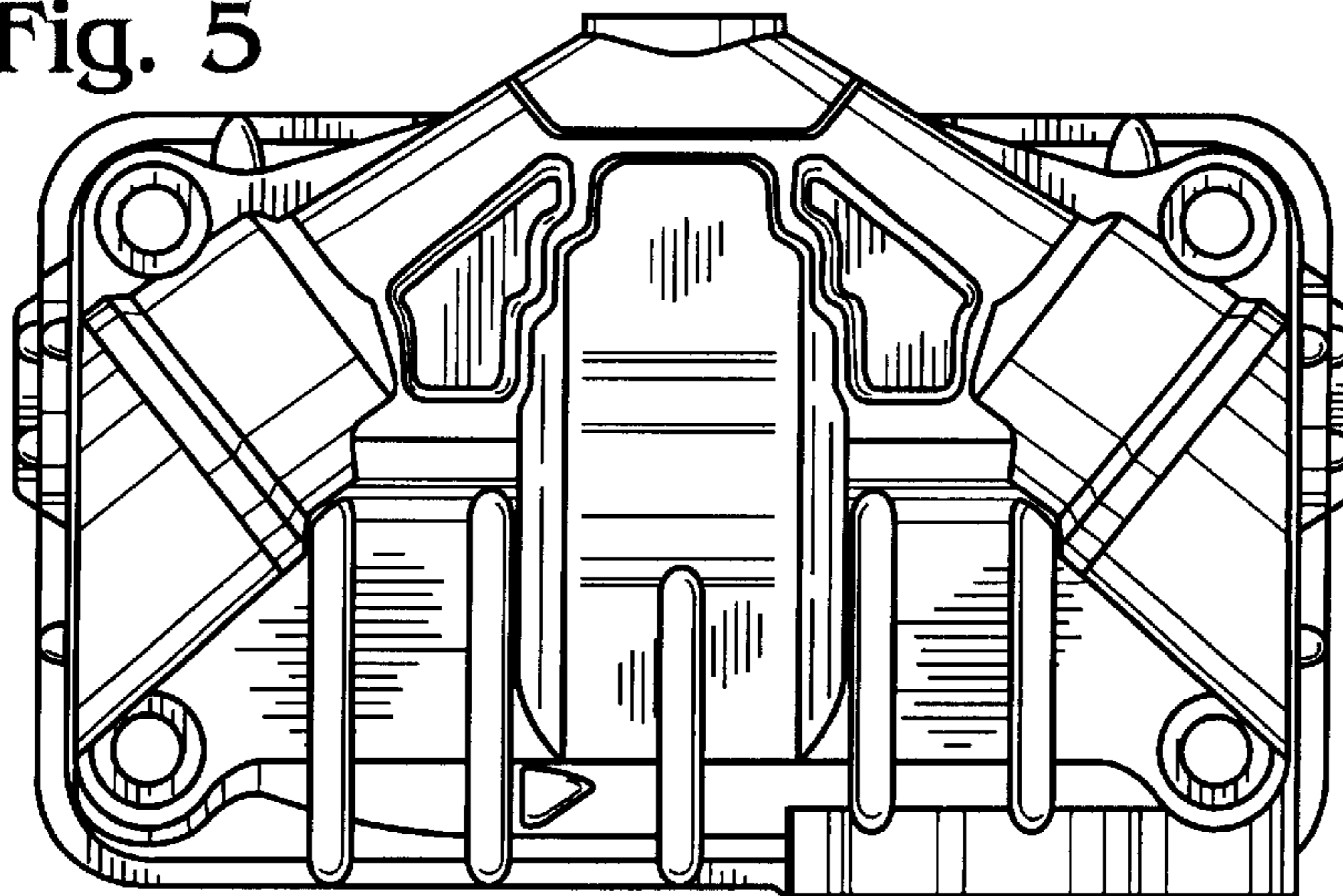


Fig. 6

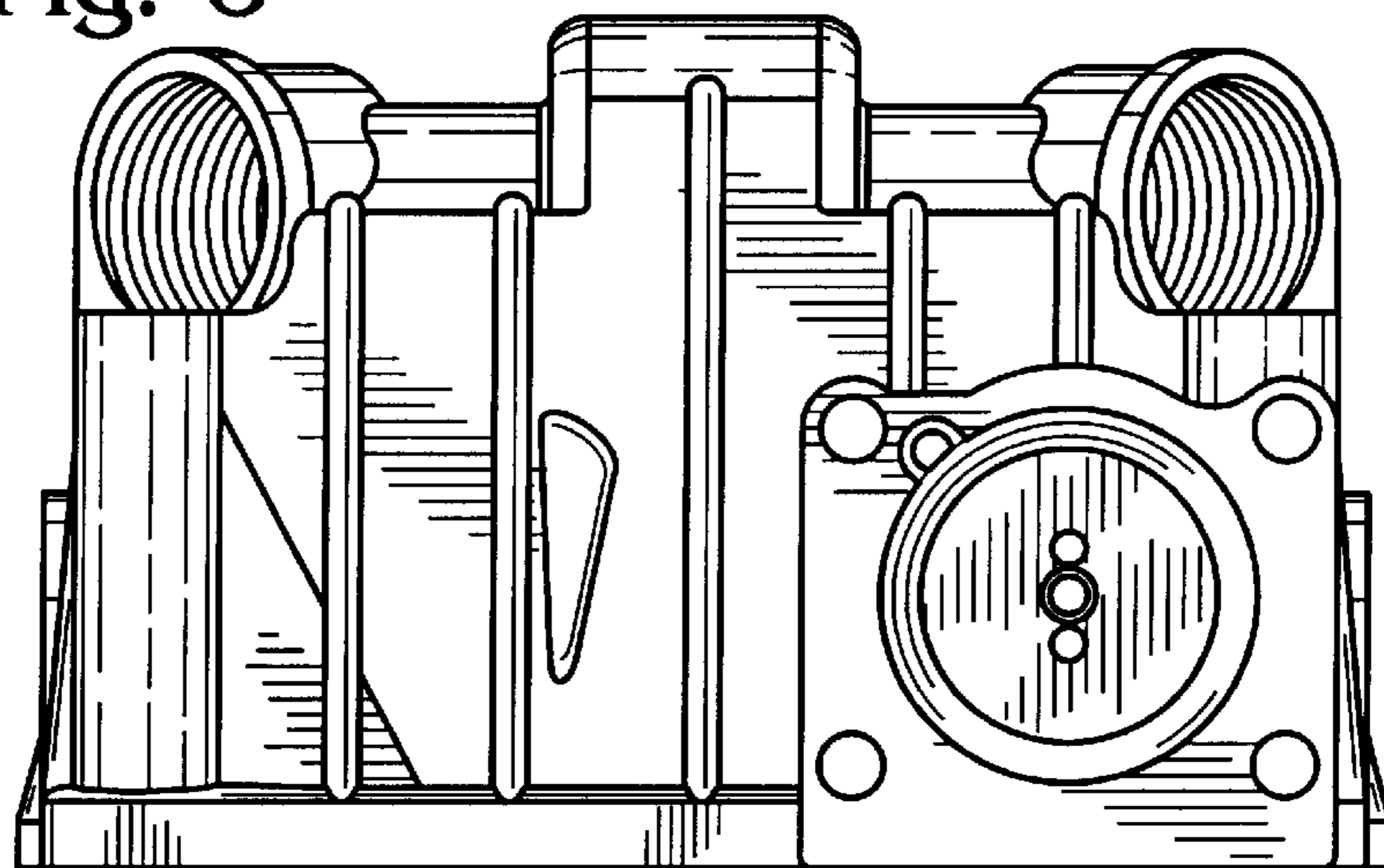


Fig. 7

