



US00D457895S

(12) **United States Design Patent**  
**Braswell**

(10) **Patent No.:** **US D457,895 S**

(45) **Date of Patent:** **\*\* May 28, 2002**

(54) **CARBURETOR FLOAT BOWL**  
(75) Inventor: **David Braswell**, Marana, AZ (US)  
(73) Assignee: **POW Engineering, Inc.**, Marana, AZ (US)  
(\*\*) Term: **14 Years**

*Primary Examiner*—Melody N. Brown  
(74) *Attorney, Agent, or Firm*—Birdwell, Janke & Durando, PLC

(21) Appl. No.: **29/140,624**  
(22) Filed: **Apr. 20, 2001**  
(51) **LOC (7) Cl.** ..... **15-01**  
(52) **U.S. Cl.** ..... **D15/6**  
(58) **Field of Search** ..... D15/1-6; 261/23.2,  
261/44.1, DIG. 12

(57) **CLAIM**  
The ornamental design for a carburetor float bowl, substantially as shown and described.

(56) **References Cited**  
**U.S. PATENT DOCUMENTS**  
D218,493 S \* 8/1970 Garner ..... D15/6  
D375,102 S \* 10/1996 De Hemer ..... D15/6  
5,863,470 A \* 1/1999 Grant ..... 261/23.2

**DESCRIPTION**  
FIG. 1 is a perspective view of a carburetor float bowl showing my new design.  
FIG. 2 is a front elevation view thereof.  
FIG. 3 is a right side elevation view thereof.  
FIG. 4 is a left side elevation view thereof.  
FIG. 5 is a rear elevation view thereof.  
FIG. 6 is a bottom view thereof; and,  
FIG. 7 is a top view thereof.

**OTHER PUBLICATIONS**  
7 Holley Carburetor photographs, numbered 1 through 7.  
6 BG Carburetor photographs, numbered 8 through 13.

The broken lines shown throughout the drawing are for illustrative purposes only and form no part of the claimed design.

\* cited by examiner

**1 Claim, 2 Drawing Sheets**

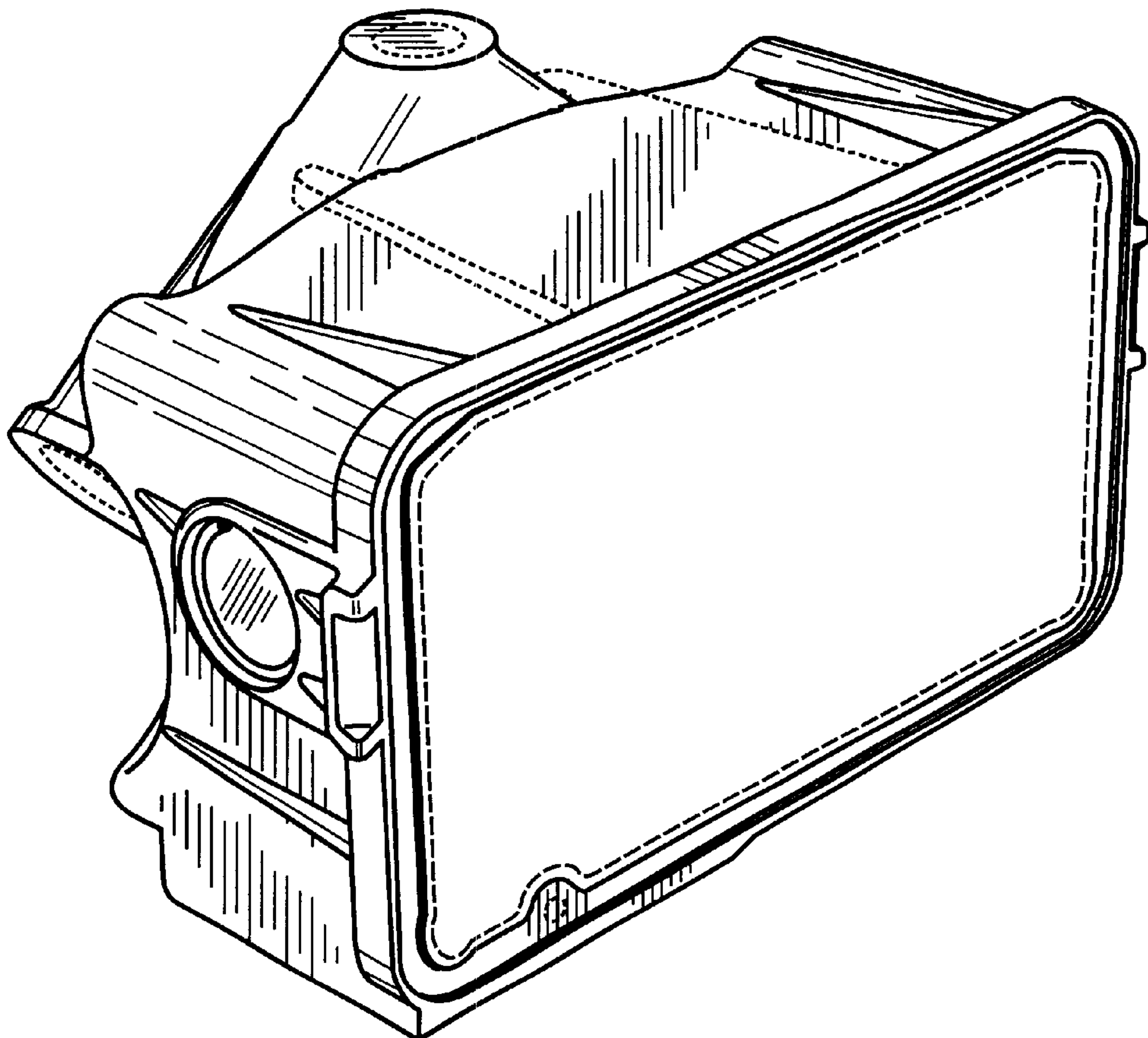


Fig. 1

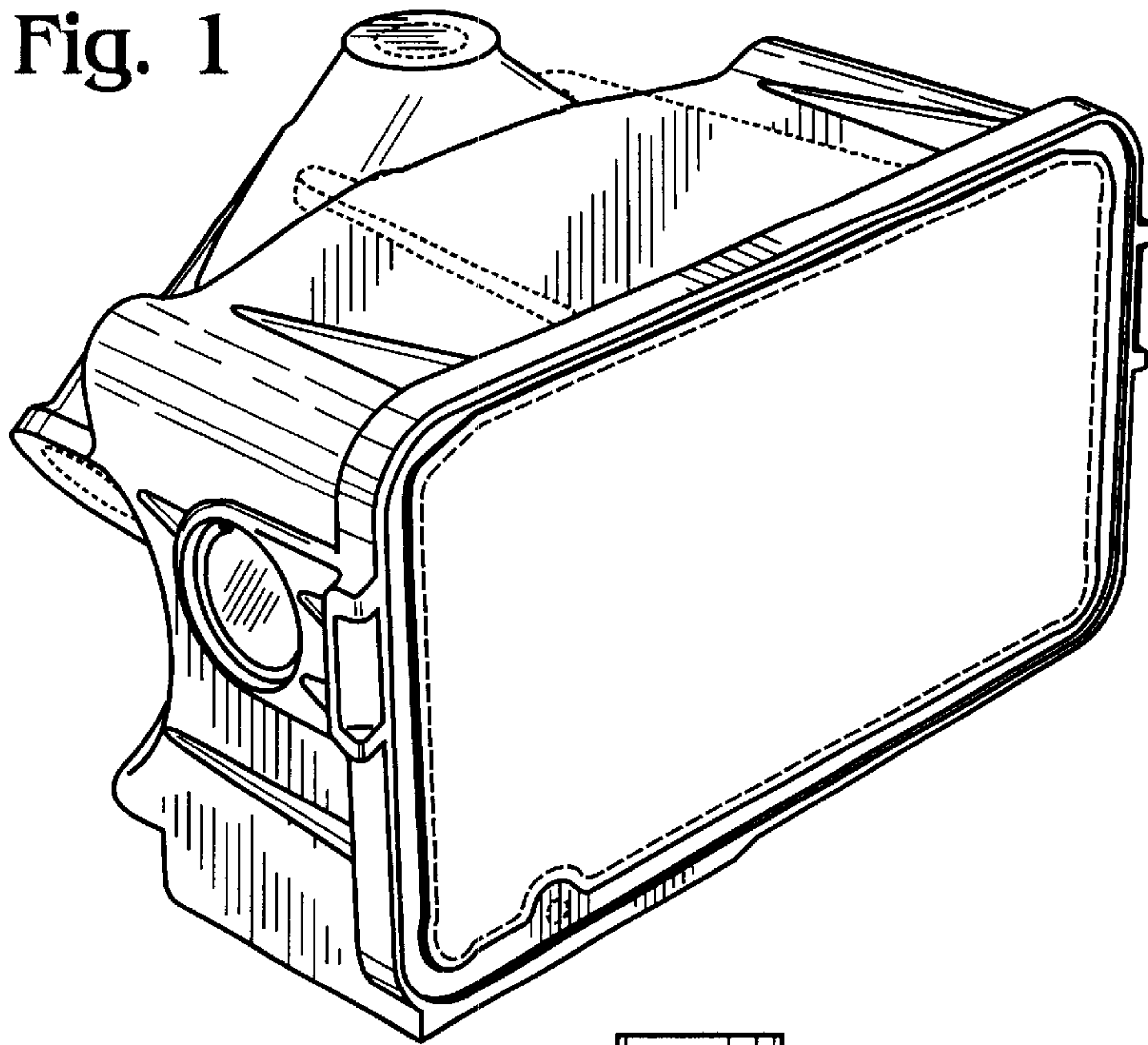


Fig. 2

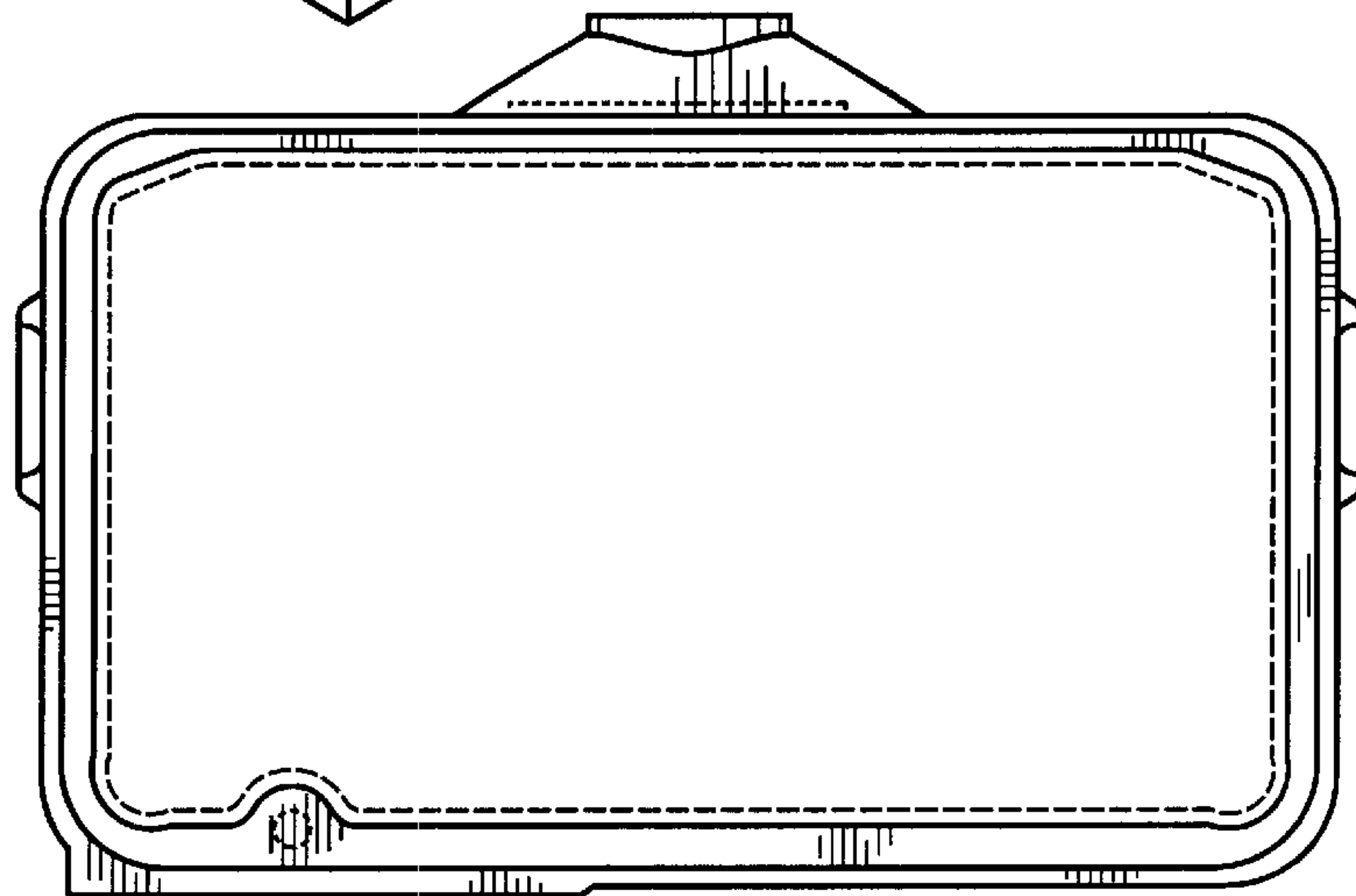


Fig. 3

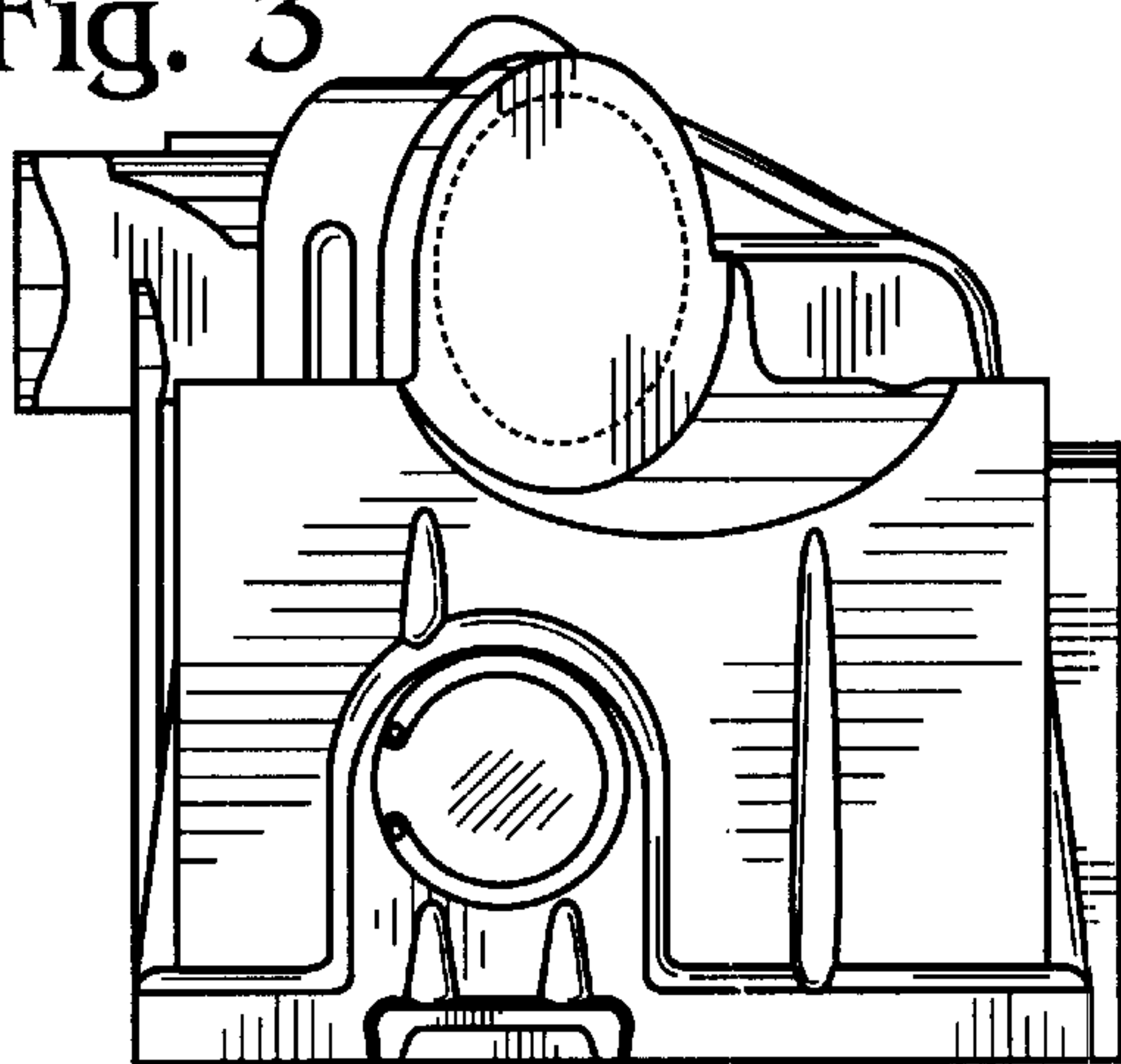


Fig. 4

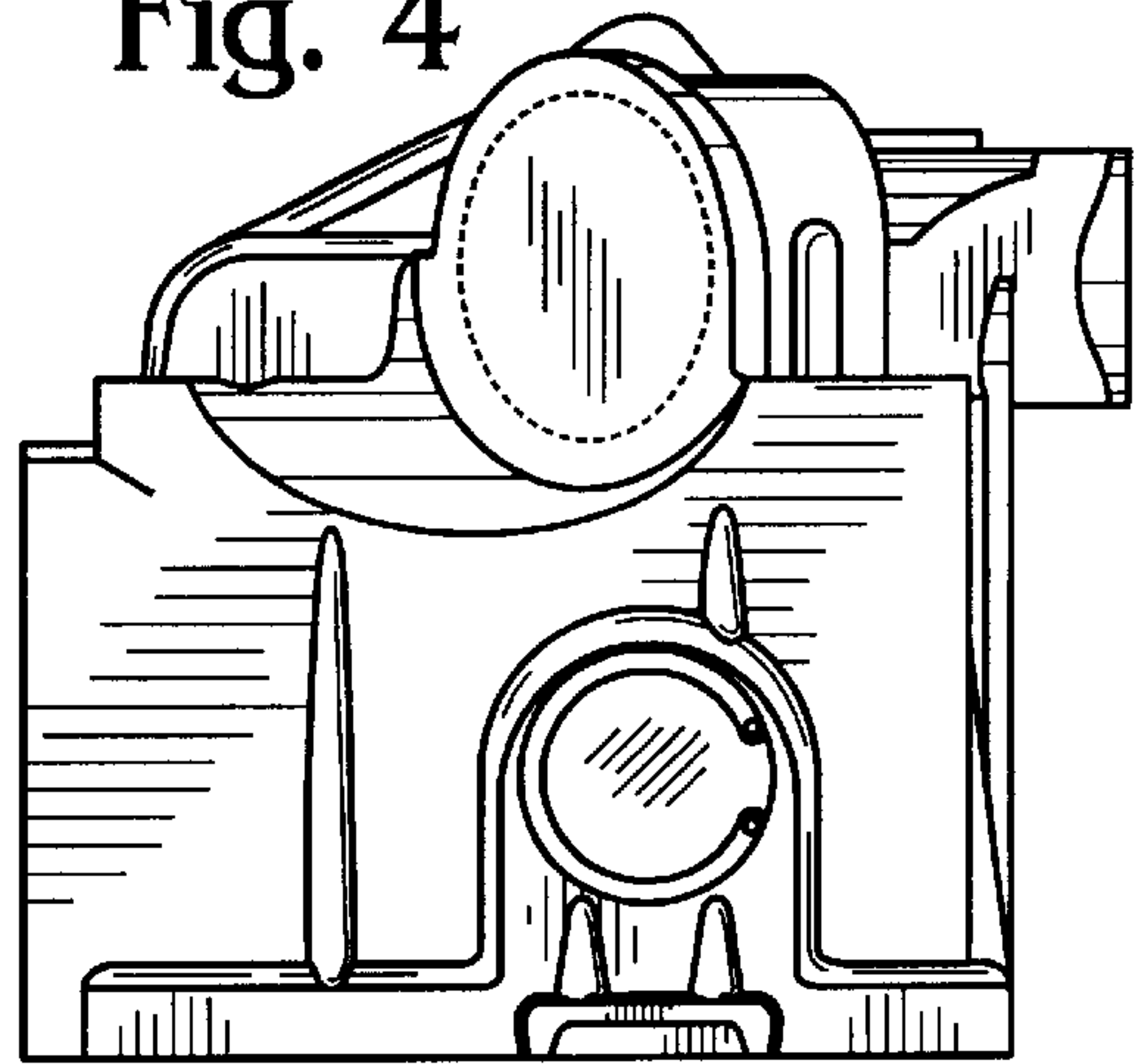


Fig. 5

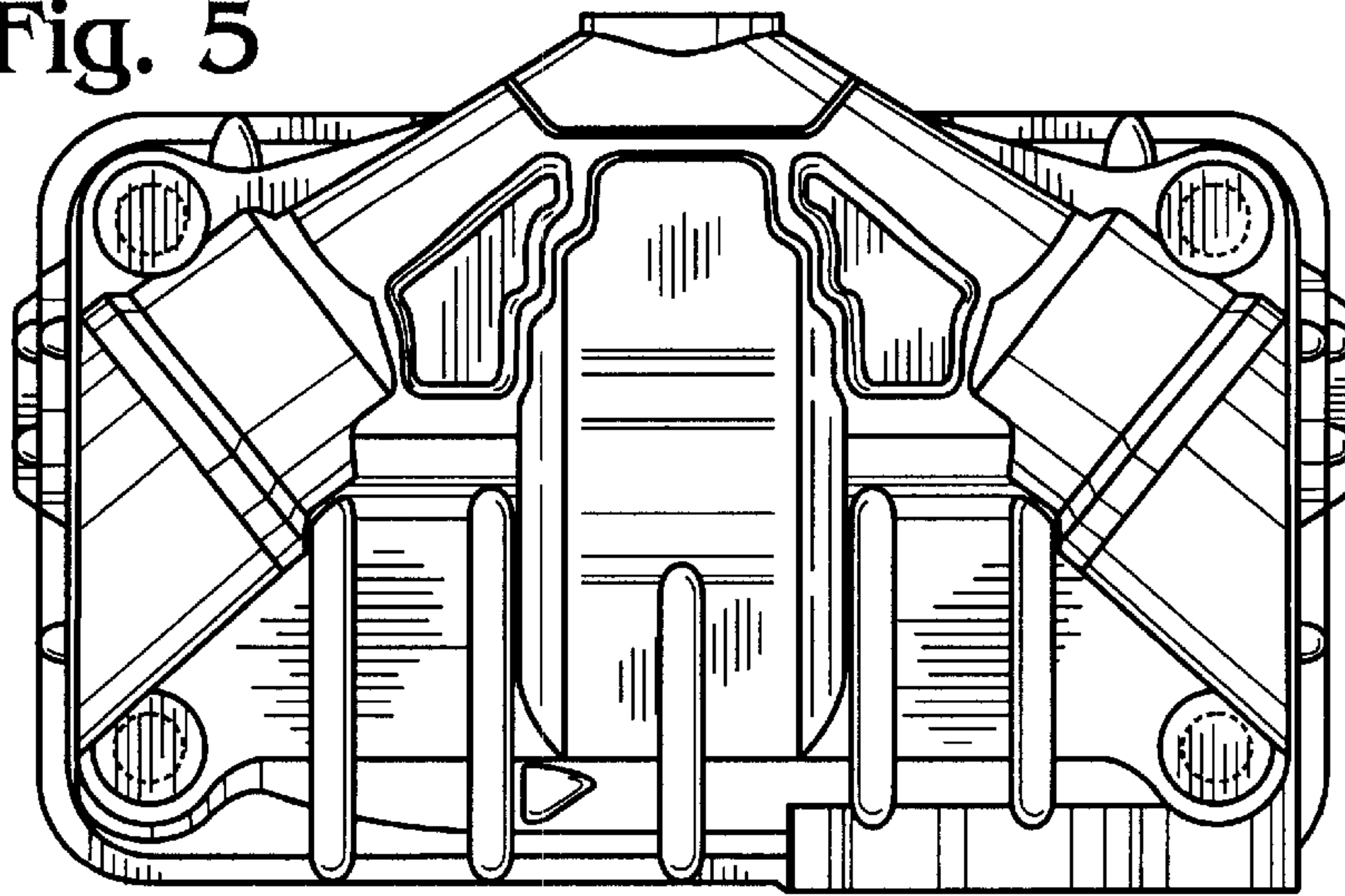


Fig. 6

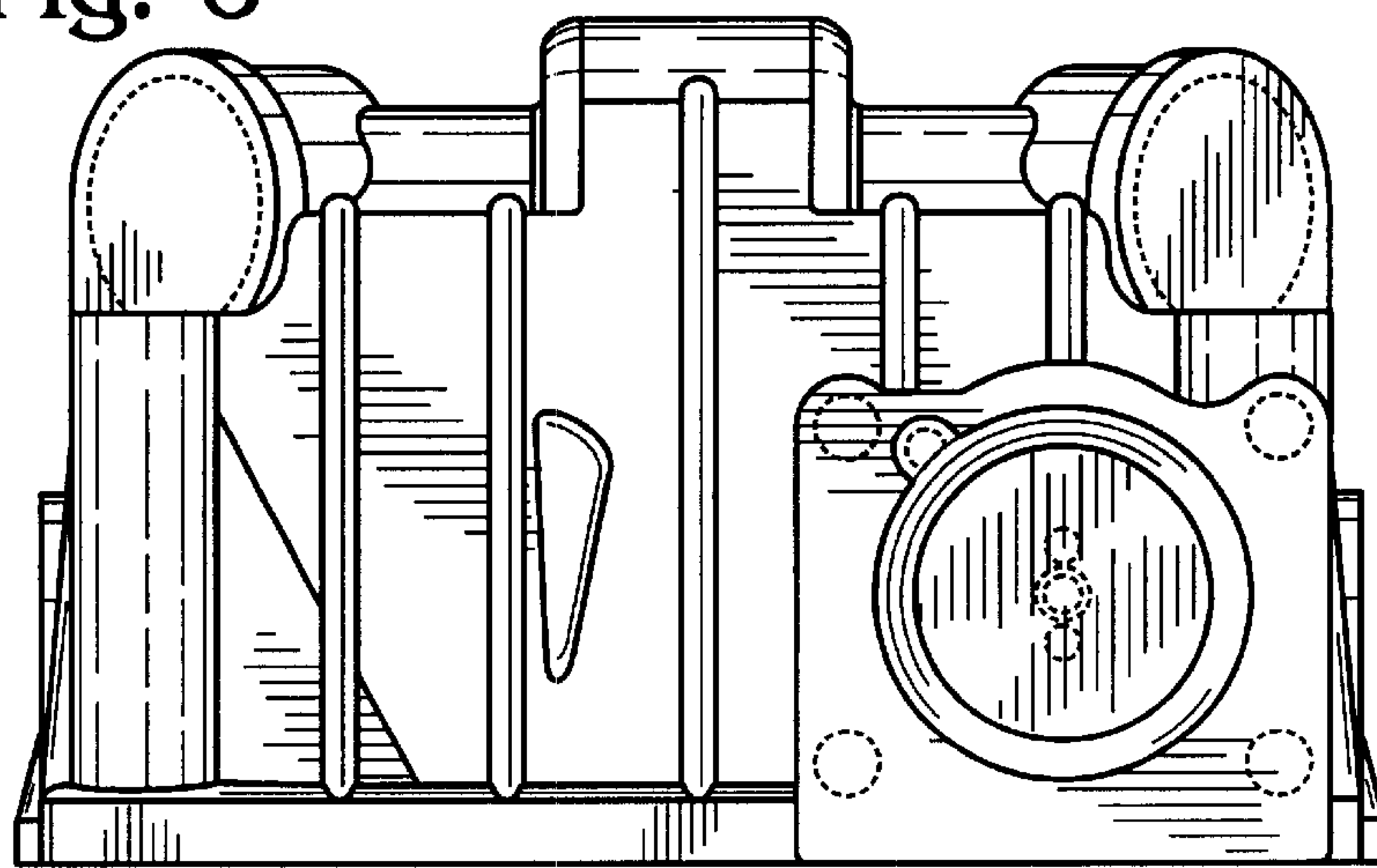


Fig. 7

