



US00D457892S

(12) **United States Design Patent**
Asou et al.

(10) **Patent No.:** **US D457,892 S**
(45) **Date of Patent:** **** May 28, 2002**

(54) **CYLINDER BLOCK**

(75) Inventors: **Yoshio Asou; Yukihiro Matarai**, both of Ibaraki (JP)

(73) Assignee: **SMC Corporation**, Tokyo (JP)

(**) Term: **14 Years**

(21) Appl. No.: **29/142,146**

(22) Filed: **May 21, 2001**

(30) **Foreign Application Priority Data**

Nov. 20, 2000 (JP) 2000-033143

(51) **LOC (7) Cl.** **15-01**

(52) **U.S. Cl.** **D15/5**

(58) **Field of Search** D15/5, 7, 143;
74/89.15, 90.09; 310/20, 80; 417/404, 360;
91/275

(56) **References Cited**

U.S. PATENT DOCUMENTS

D404,039 S	*	1/1999	Yamamoto et al.	D15/5
D409,625 S	*	5/1999	Yonezawa et al.	D15/5
D438,215 S	*	2/2001	Kaneko	D15/7
D444,795 S	*	7/2001	Wakusugi et al.	D15/7
D446,229 S	*	8/2001	Kaneko	D15/143

* cited by examiner

Primary Examiner—Melody N. Brown
(74) *Attorney, Agent, or Firm*—Oblon, Spivak, McClelland, Maier & Neustadt, P.C.

(57) **CLAIM**

The ornamental design for a cylinder block, as shown and described.

DESCRIPTION

FIG. 1 is a top plan view of cylinder block showing our new design;

FIG. 2 is a bottom plan view thereof;

FIG. 3 is a front elevational view thereof;

FIG. 4 is a rear elevational view thereof;

FIG. 5 is a left side elevational view thereof;

FIG. 6 is a right side elevational view thereof;

FIG. 7 is a top, front and left side perspective view thereof;

FIG. 8 is a bottom, rear and right perspective view thereof; and,

FIG. 9 is a top, front and left side perspective view thereof showing the cylinder block when in use with a cord and an actuator.

The broken lines shown in the FIG. 9 drawing view are for illustrative purposes only and form no part of the claimed design.

1 Claim, 4 Drawing Sheets

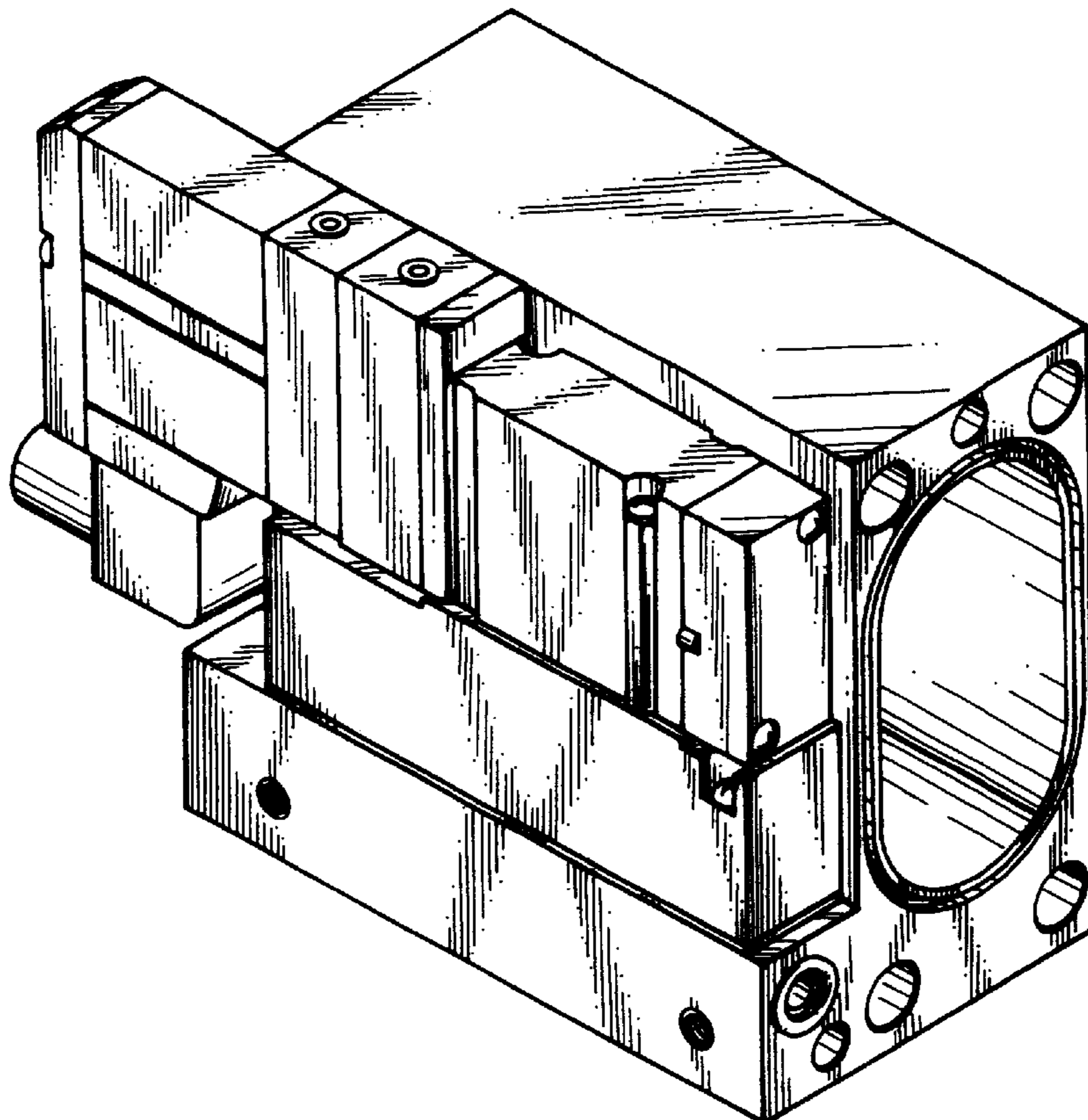


FIG. 1

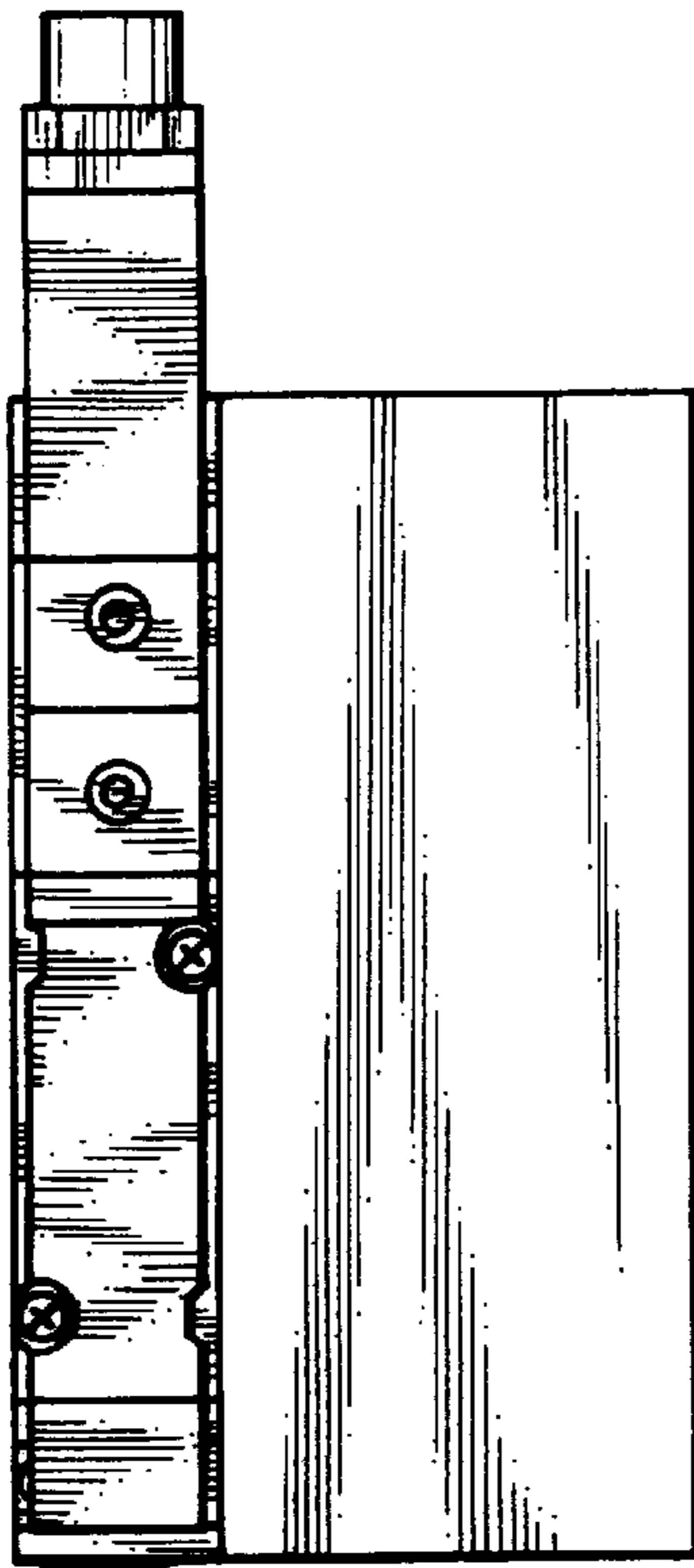


FIG. 2

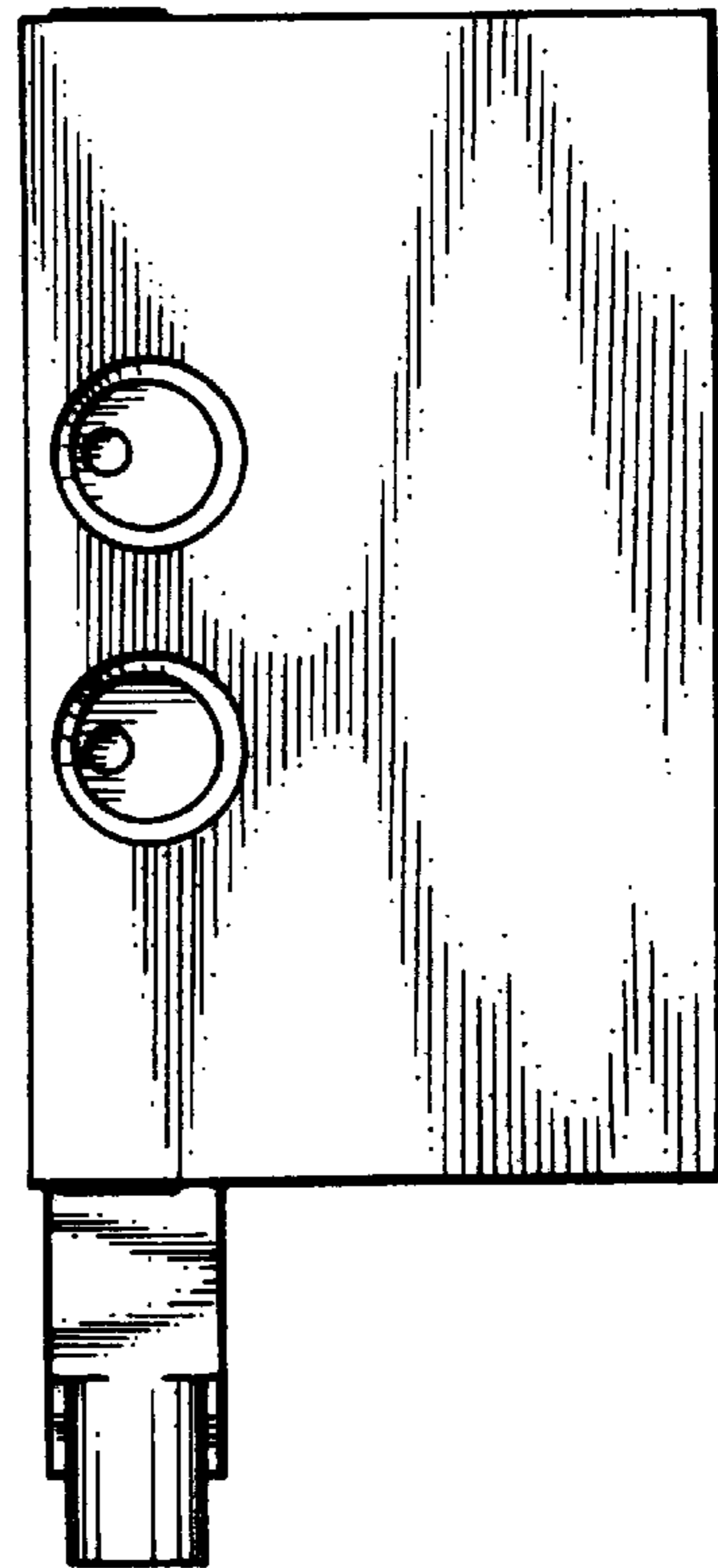


FIG. 3

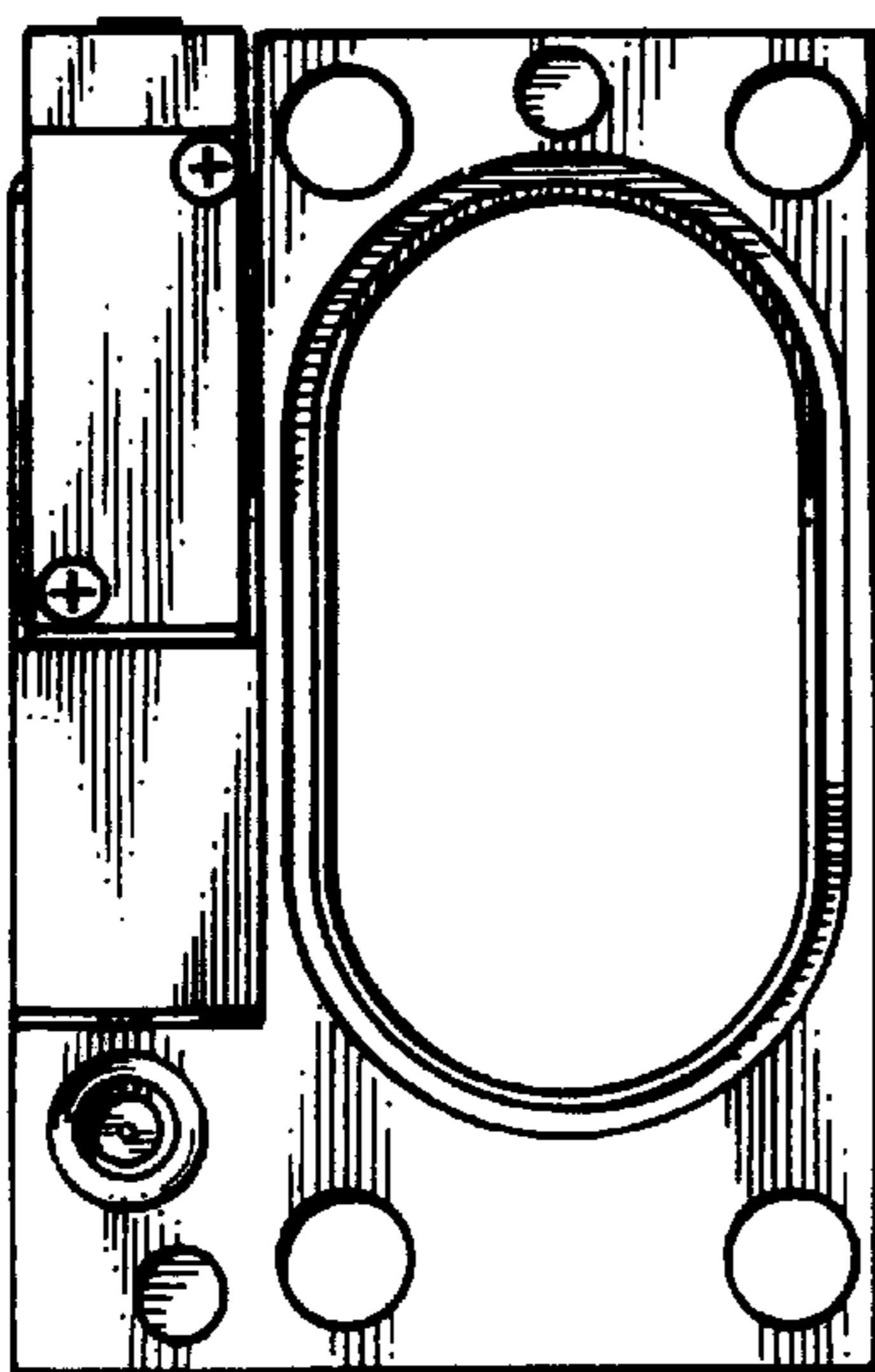


FIG. 4

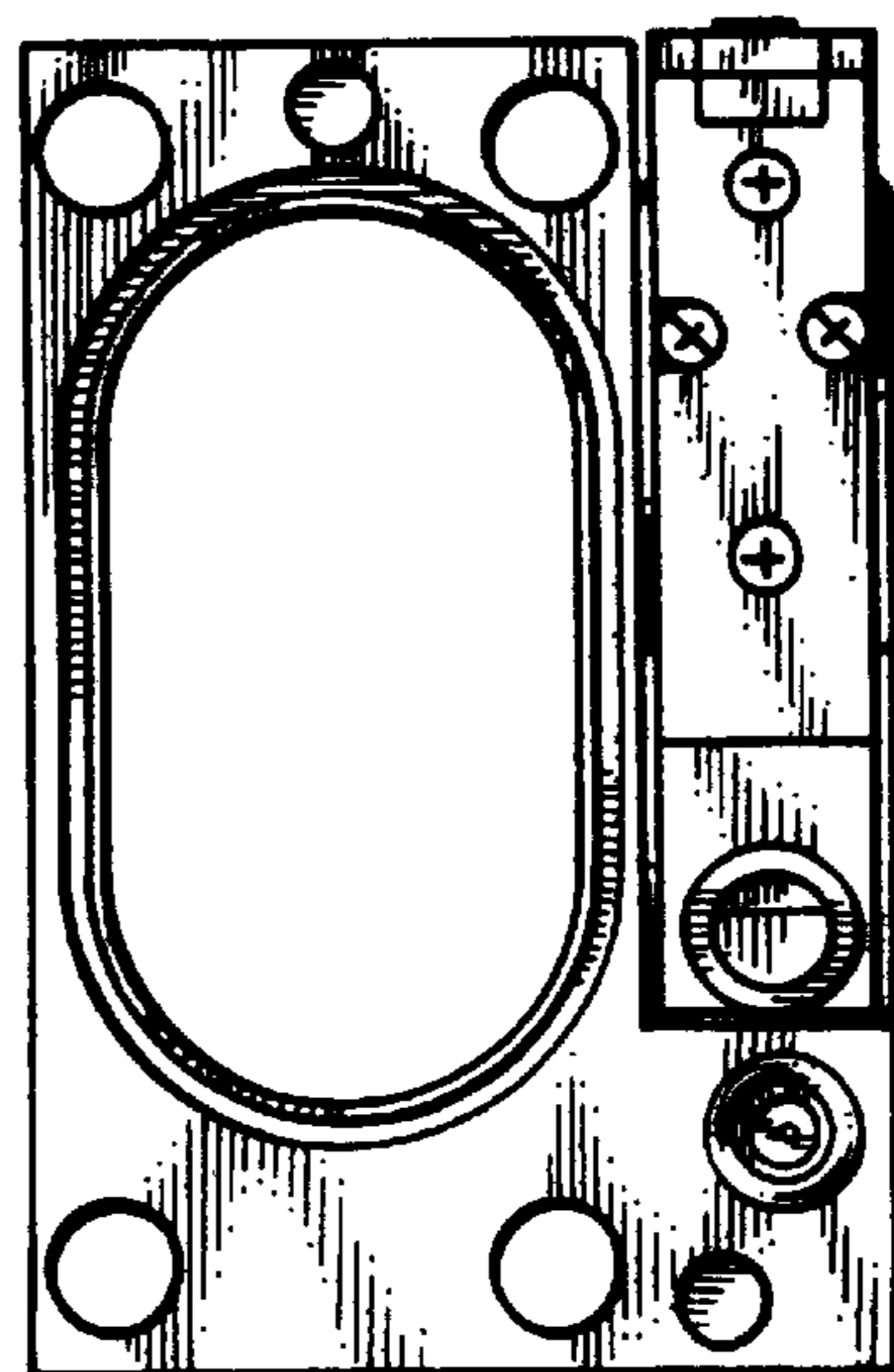


FIG. 5

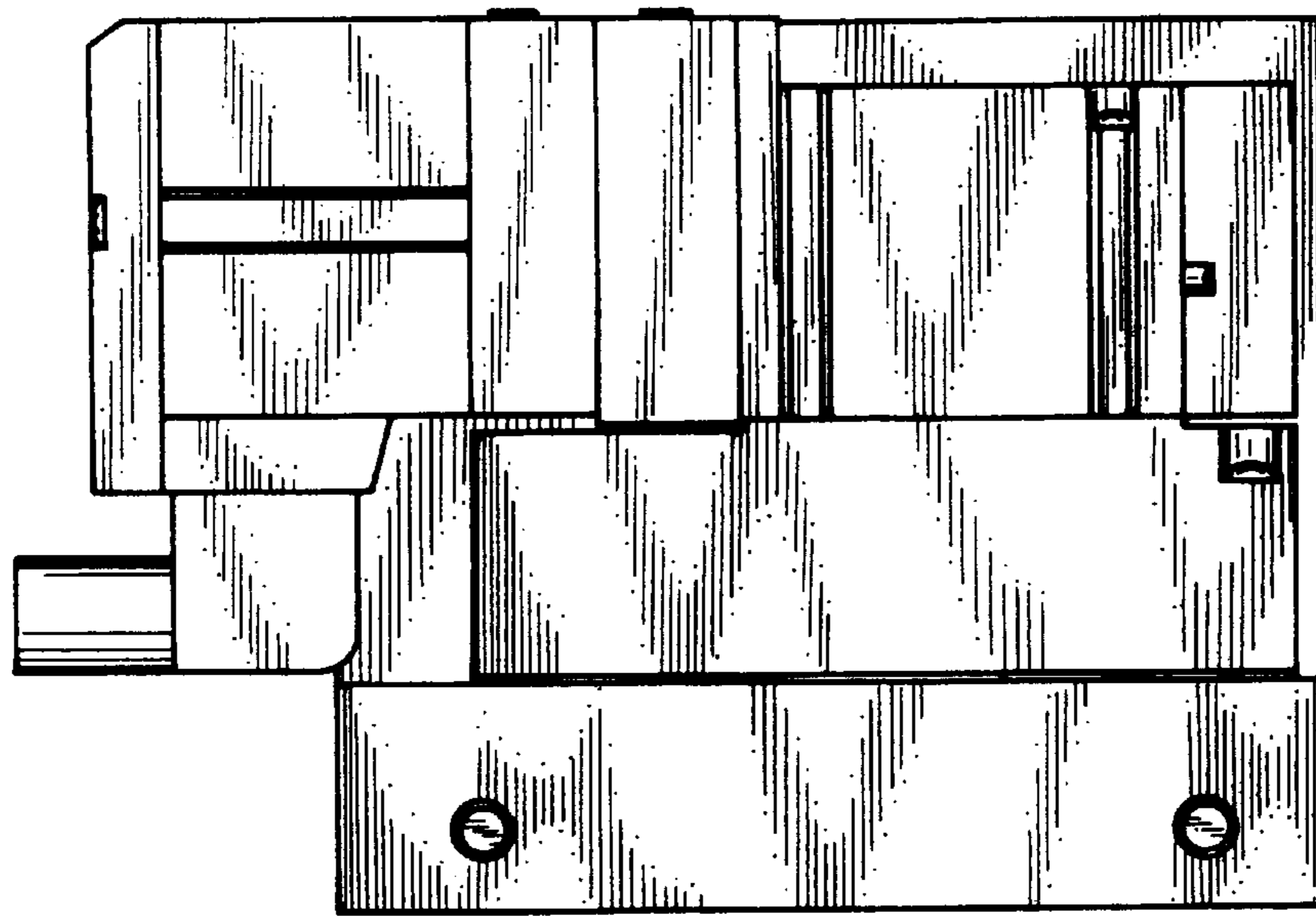
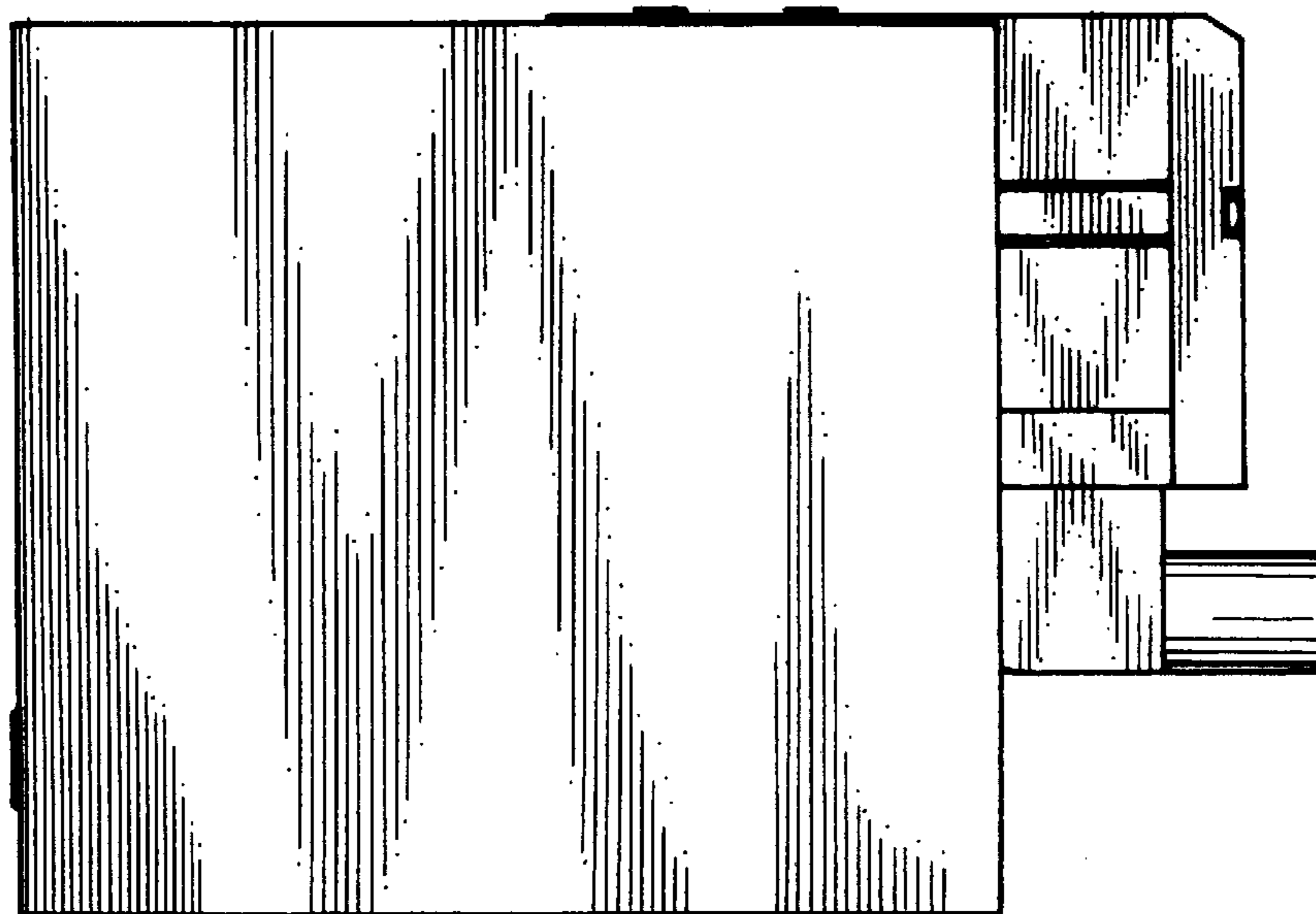


FIG. 6



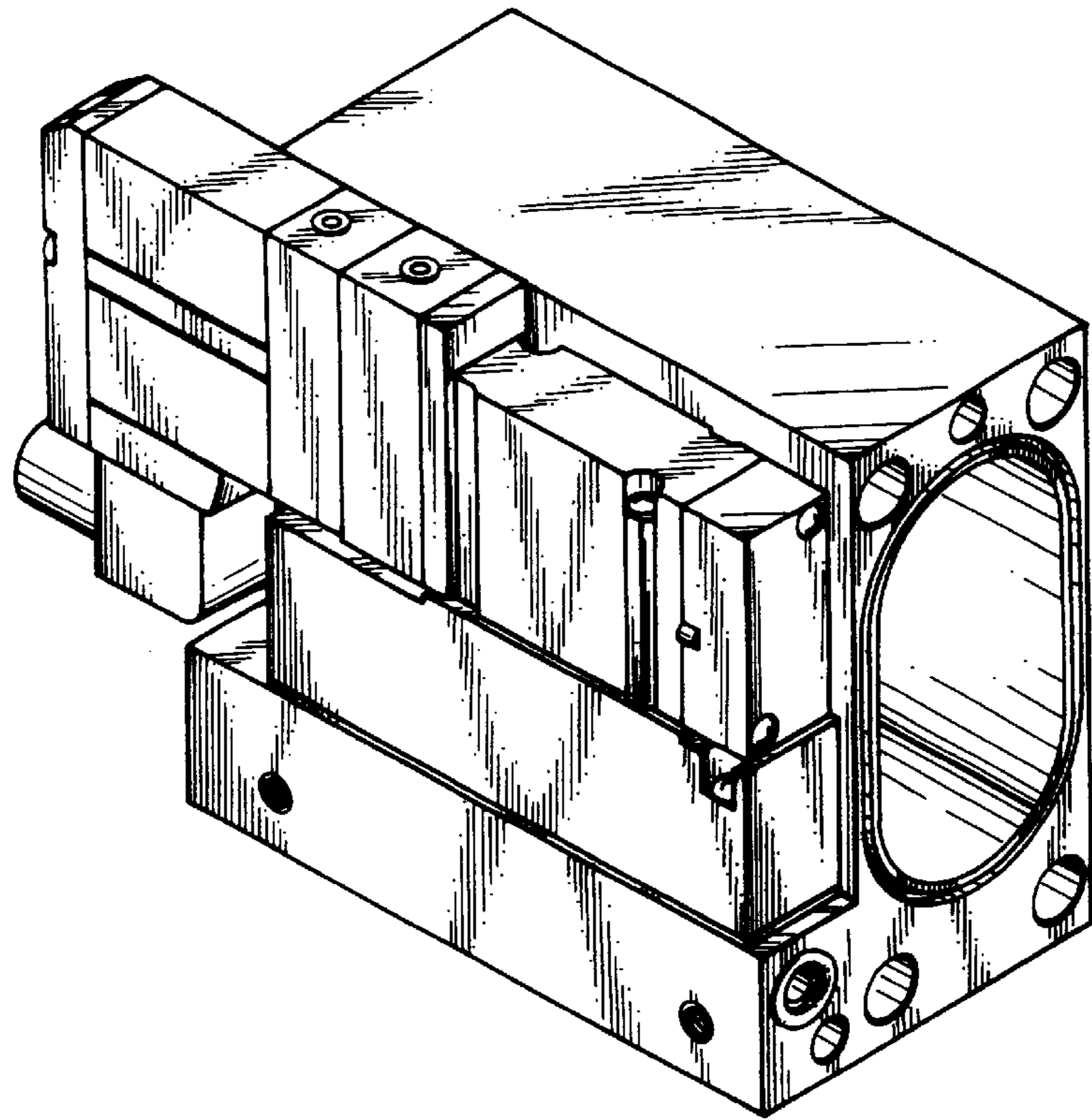


FIG. 7

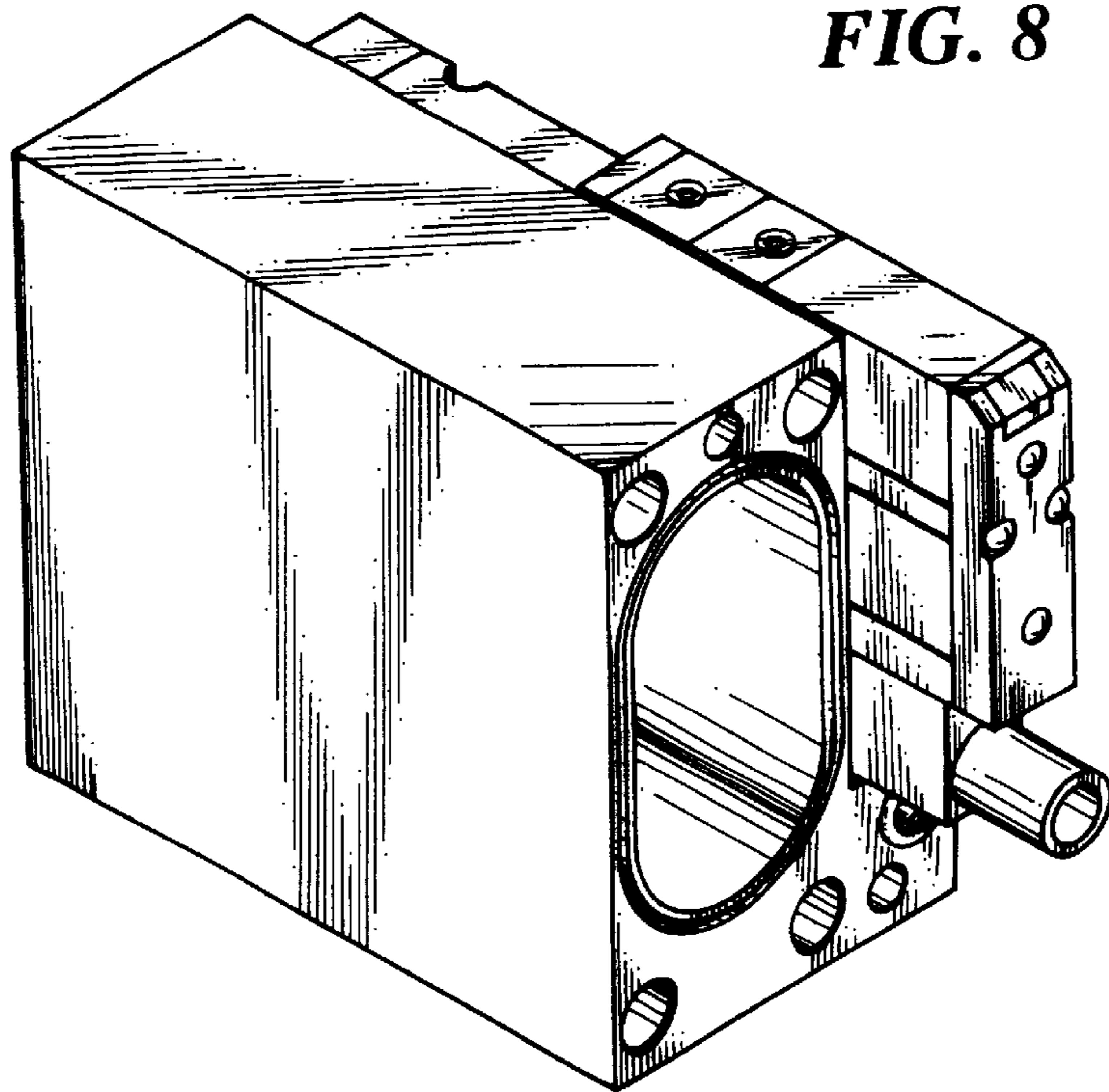


FIG. 8

FIG. 9

