



US00D457891S

(12) **United States Design Patent**
Matre

(10) **Patent No.:** **US D457,891 S**

(45) **Date of Patent:** **** May 28, 2002**

(54) **PORTABLE ENGINE**

(75) Inventor: **Daniel Albert Matre**, Wauwatosa, WI (US)

(73) Assignee: **Briggs & Stratton Corporation**, Milwaukee, WI (US)

(**) Term: **14 Years**

(21) Appl. No.: **29/144,970**

(22) Filed: **Jul. 13, 2001**

(51) **LOC (7) Cl.** **15-01**

(52) **U.S. Cl.** **D15/1**

(58) **Field of Search** D15/1-5; 123/156 BA, 123/50 A, 306, 308, 41.7, 198 E, 661, 667, 56; D34/15; 46/39, 78, 249

(56) **References Cited**

U.S. PATENT DOCUMENTS

| | | | | | |
|------------|---|--------|--------------|-------|-------|
| D310,373 S | * | 9/1990 | Ishii et al. | | D15/1 |
| D396,476 S | * | 7/1998 | Shimizu | | D15/1 |
| D414,498 S | * | 9/1999 | Yoshida | | D15/1 |
| D421,024 S | * | 2/2000 | Katoh | | D15/1 |
| D443,280 S | * | 6/2001 | Shimizu | | D15/1 |
| D444,478 S | * | 7/2001 | Shimizu | | D15/1 |

OTHER PUBLICATIONS

Ryobi handheld engine; on sale prior to Jul. 13, 2000.
Honda handheld engine; on sale prior to Jul. 13, 2000.
Robin handheld engine; on sale prior to Jul. 13, 2000.

* cited by examiner

Primary Examiner—Melody N. Brown

(74) *Attorney, Agent, or Firm*—Michael Best & Friedrich LLP

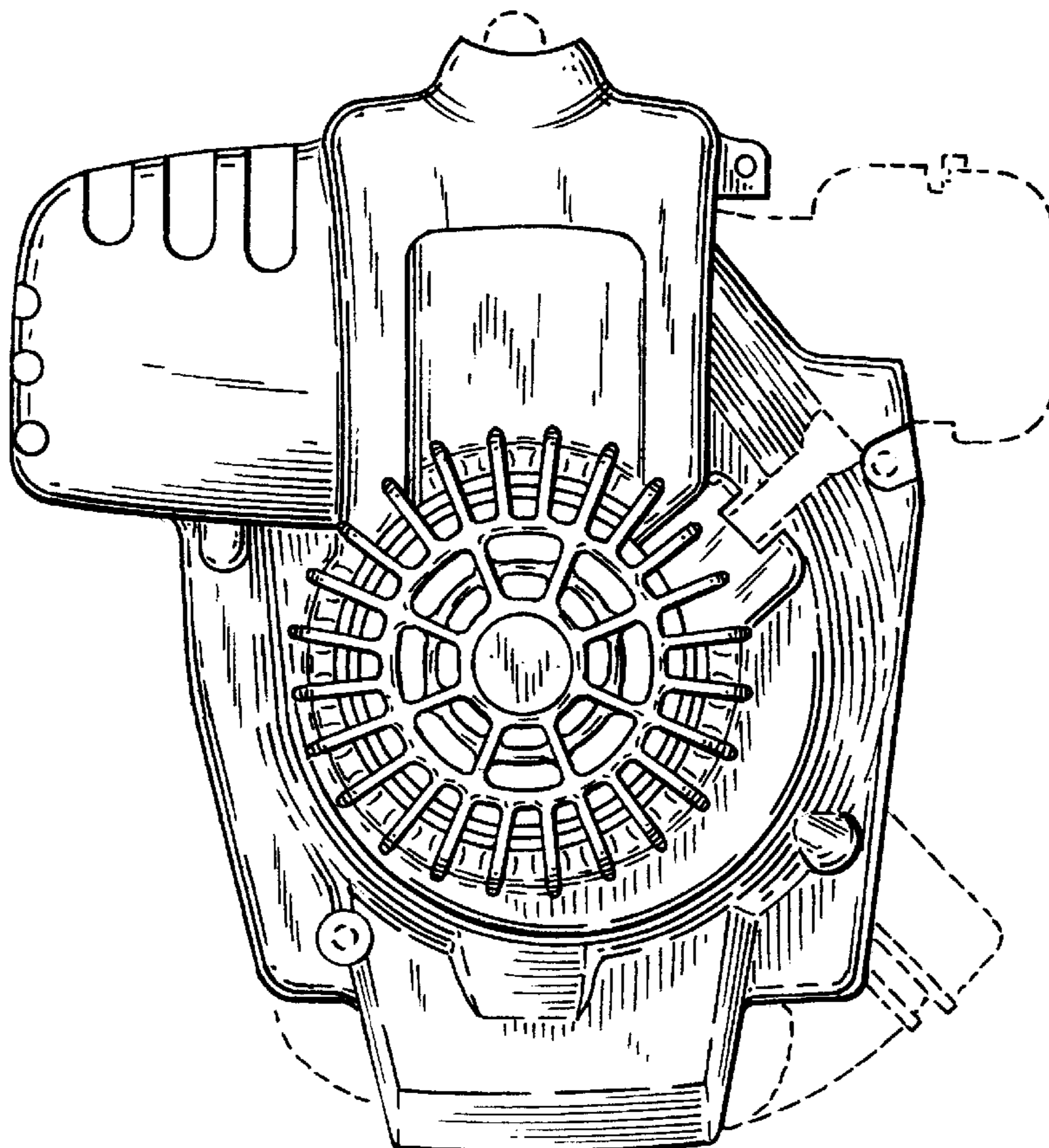
(57) **CLAIM**

The ornamental design for a portable engine, as shown and described.

DESCRIPTION

FIG. 1 is a front view of a portable engine embodying my new design;
FIG. 2 is a top view of the design illustrated in FIG. 1;
FIG. 3 is a side view of the design illustrated in FIG. 1;
FIG. 4 is an opposite side view of the design illustrated in FIG. 1; and,
FIG. 5 is a bottom view of the design illustrated in FIG. 1.
The broken line showing of the environment is for illustrative purposes only and forms no part of the claimed design.
The rear view is not part of the claimed design.

1 Claim, 5 Drawing Sheets



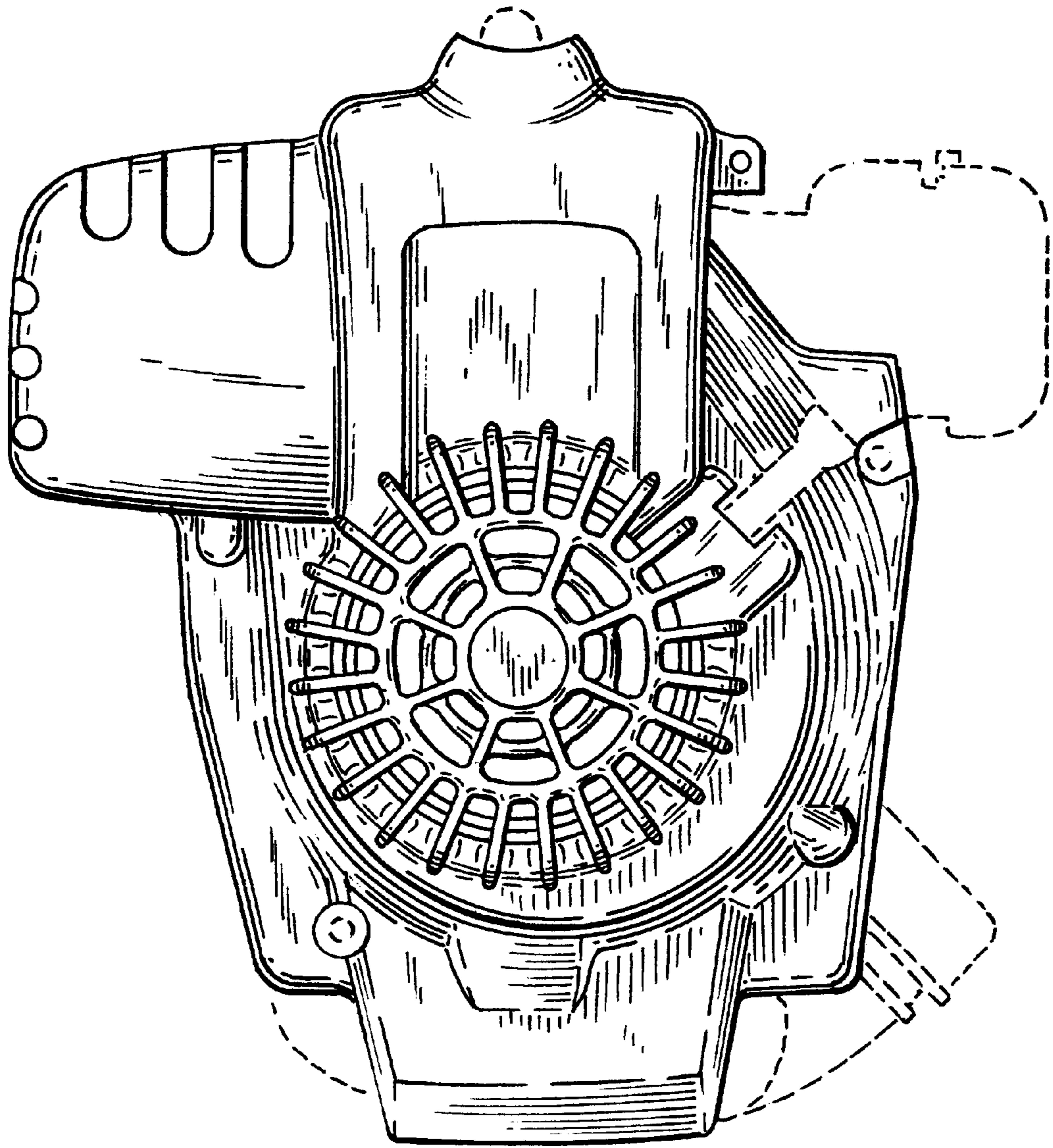


Fig. 1

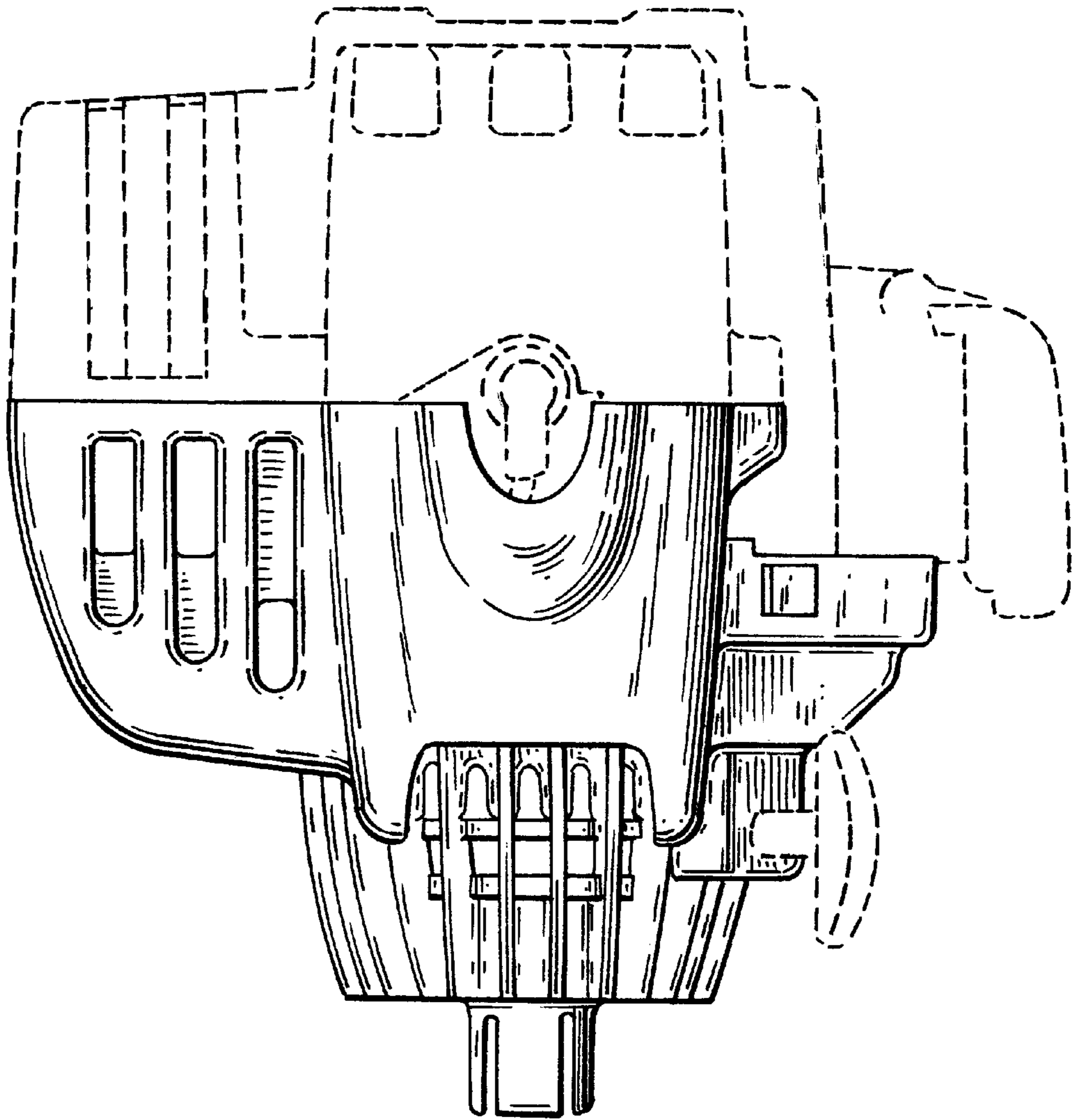


Fig. 2

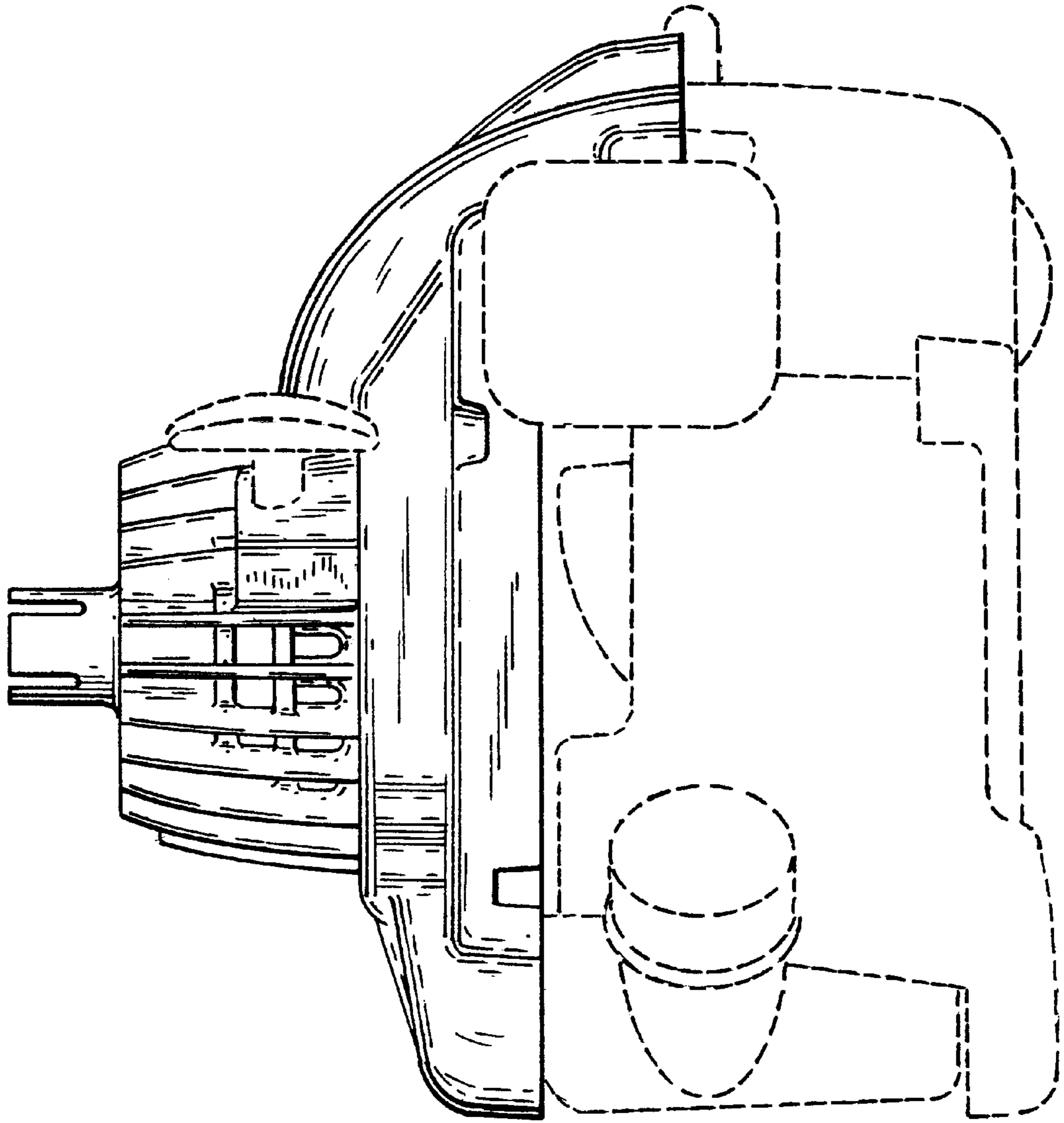


Fig. 3

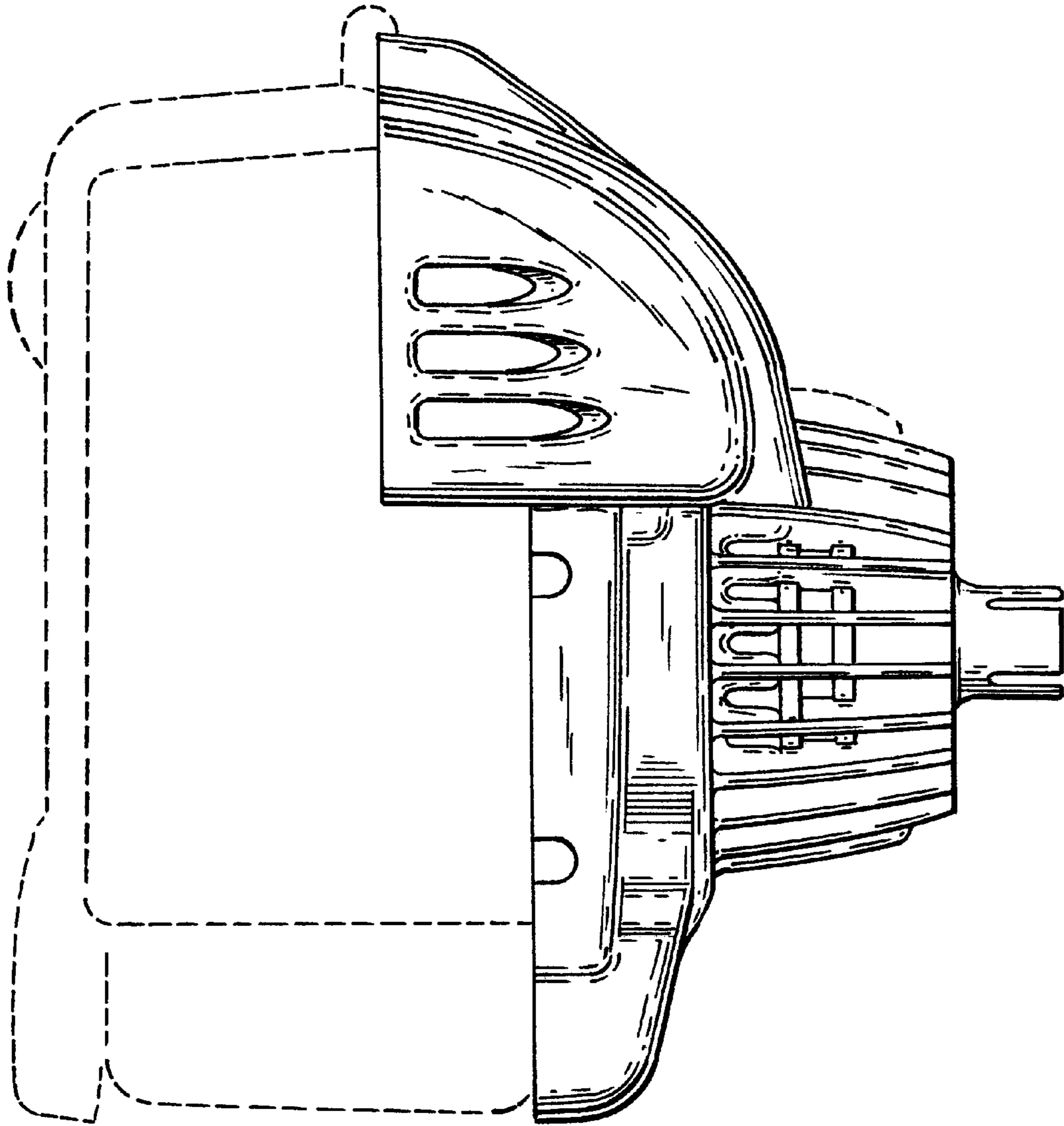


Fig. 4

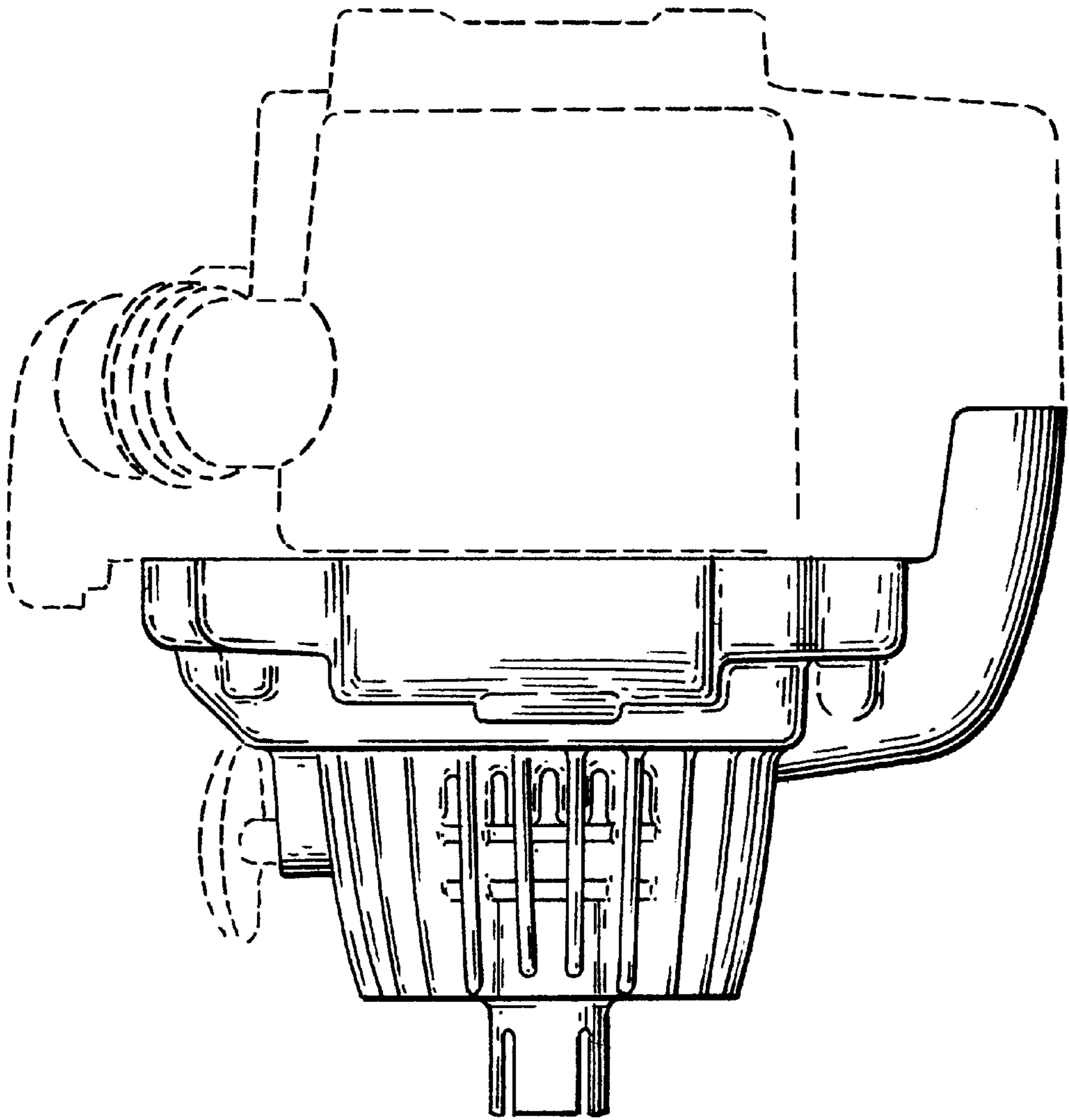


Fig. 5