



US00D457887S

(12) **United States Design Patent**
Kadonaga

(10) **Patent No.:** **US D457,887 S**

(45) **Date of Patent:** **** May 28, 2002**

(54) **RECORDING MEDIUM**

(75) Inventor: **Akira Kadonaga**, Tokyo (JP)

(73) Assignee: **Sony Corporation**, Tokyo (JP)

(**) Term: **14 Years**

(21) Appl. No.: **29/148,785**

(22) Filed: **Sep. 28, 2001**

(51) **LOC (7) Cl.** **14-02**

(52) **U.S. Cl.** **D14/436; D13/182**

(58) **Field of Search** **D14/435-438,**
D14/478, 480, 479, 474; D13/182; 174/16.3,
52.1, 52.2, 52.4; 257/670, 676, 686, 688,
690, 691, 692, 696, 703, 787; 437/217;
361/679, 736, 737, 742, 752; 235/492,
441; 439/353, 60, 633, 677

(56) **References Cited**

U.S. PATENT DOCUMENTS

D421,597 S	3/2000	Oba et al.	
D421,967 S	3/2000	Oba et al.	
D427,159 S	6/2000	Oba	
D432,505 S	10/2000	Oba et al.	
D445,096 S	* 7/2001	Wallace D14/436
D445,111 S	* 7/2001	Okamoto et al. D14/436
D446,525 S	* 8/2001	Okamoto et al. D14/436

FOREIGN PATENT DOCUMENTS

WO DM/051 892 5/2000

OTHER PUBLICATIONS

Catalog "91", p. 15, Sony Corporation (Mar. 1999).
Homepage "SD Memory Card", 3 sheets, Matsushita Electric Co., Ltd. (Aug. 1999).

* cited by examiner

Primary Examiner—Kay H. Chin

(74) *Attorney, Agent, or Firm*—Rader, Fishman & Grauer, PLLC

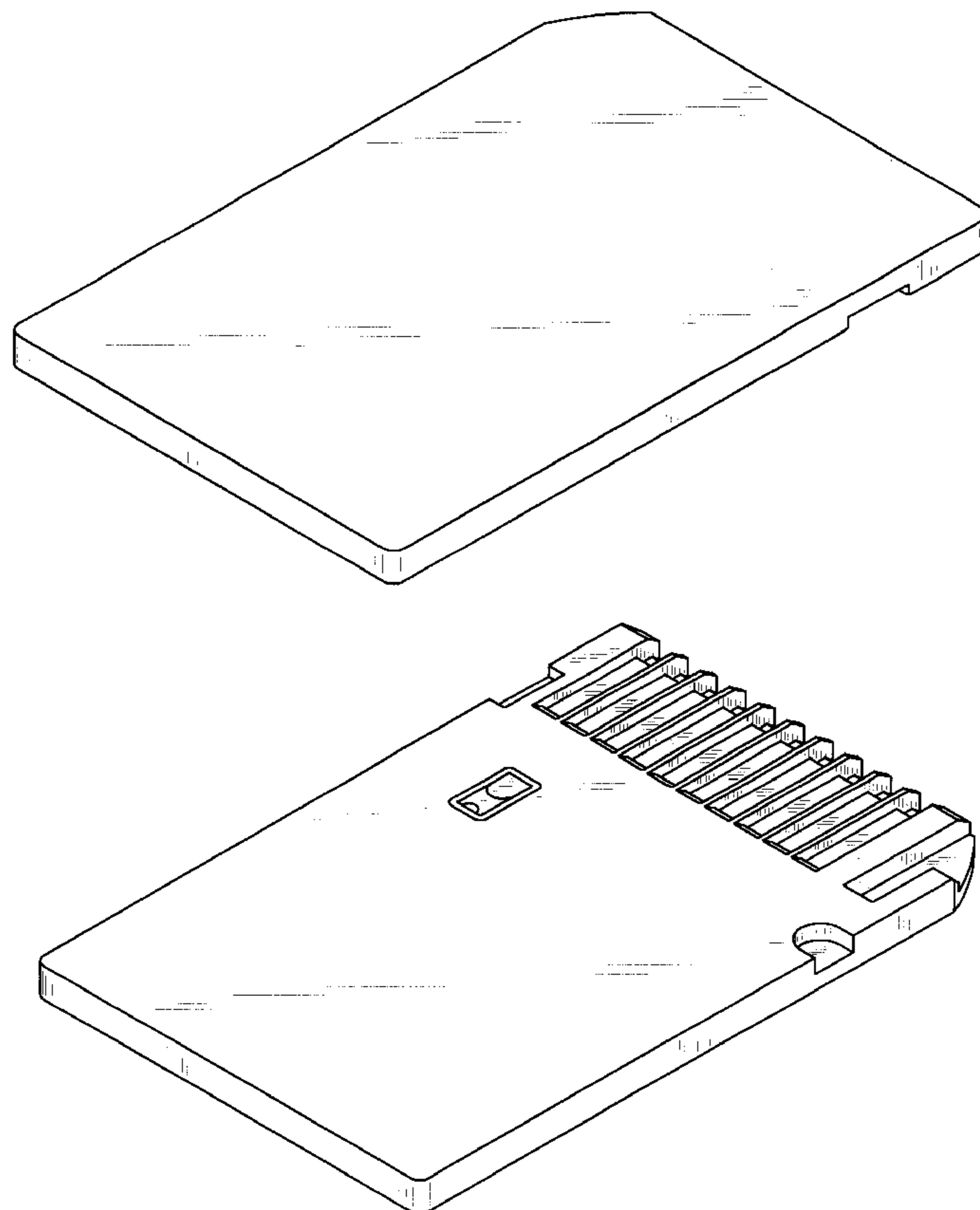
(57) **CLAIM**

The ornamental design for a recording medium, as shown and described.

DESCRIPTION

FIG. 1 is a bottom, front, right perspective view of a recording medium showing my new design;
FIG. 2 is a bottom, rear, left, perspective view thereof;
FIG. 3 is a front elevational view thereof;
FIG. 4 is a rear elevational view thereof;
FIG. 5 is a left side elevational view thereof;
FIG. 6 is a right side elevational view thereof;
FIG. 7 is a top plan view thereof; and,
FIG. 8 is a bottom plan view thereof.

1 Claim, 6 Drawing Sheets



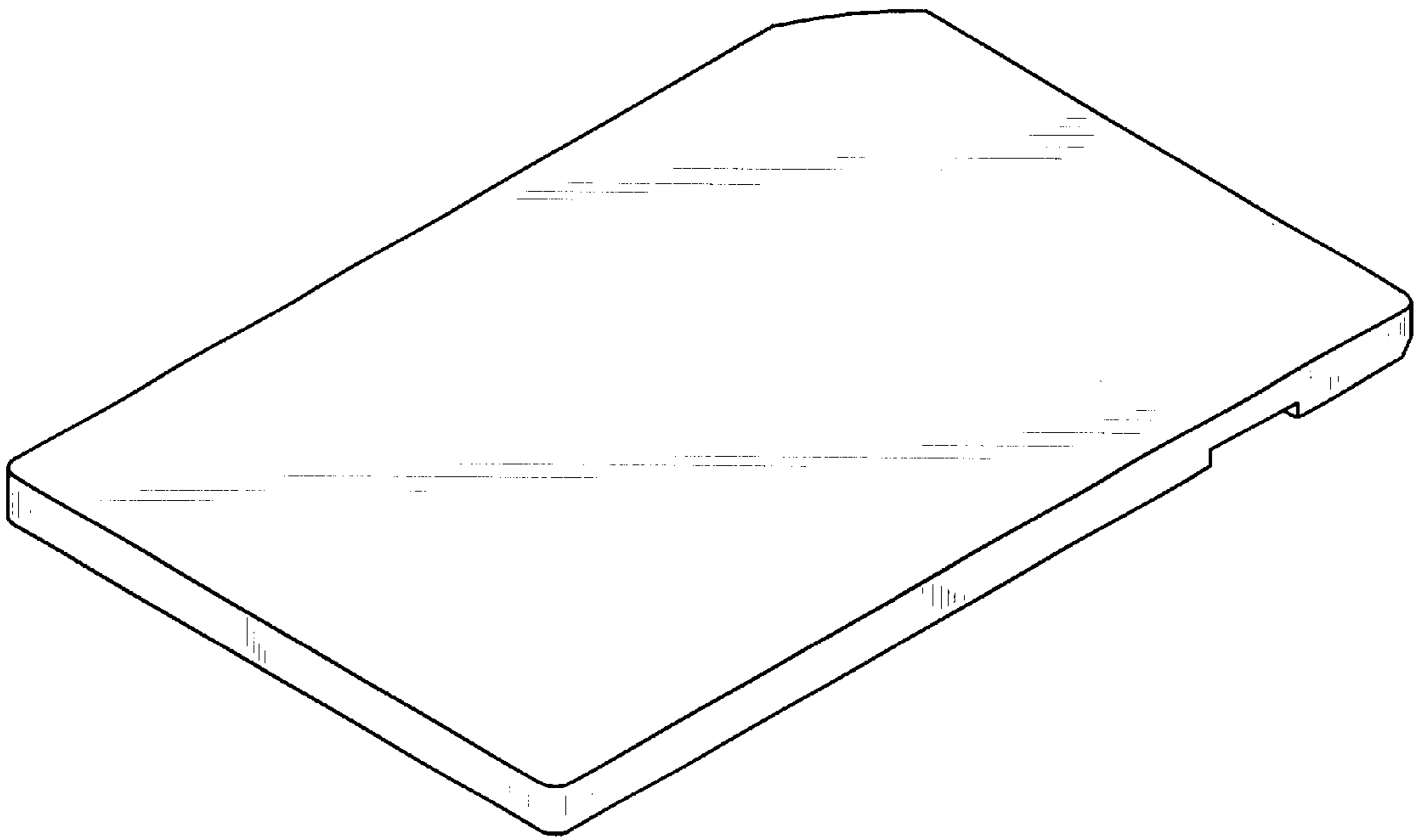


Fig. 1

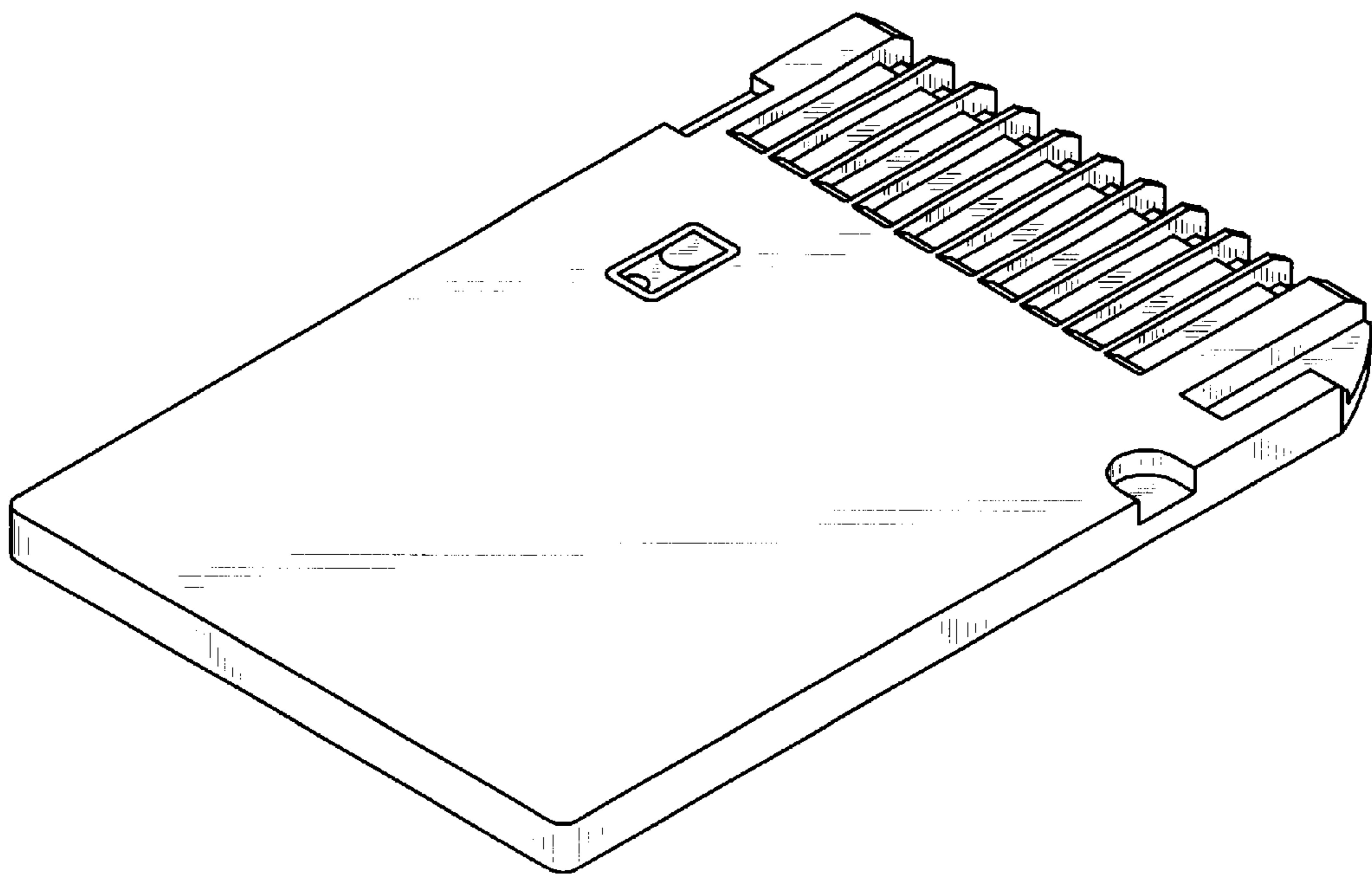


Fig. 2

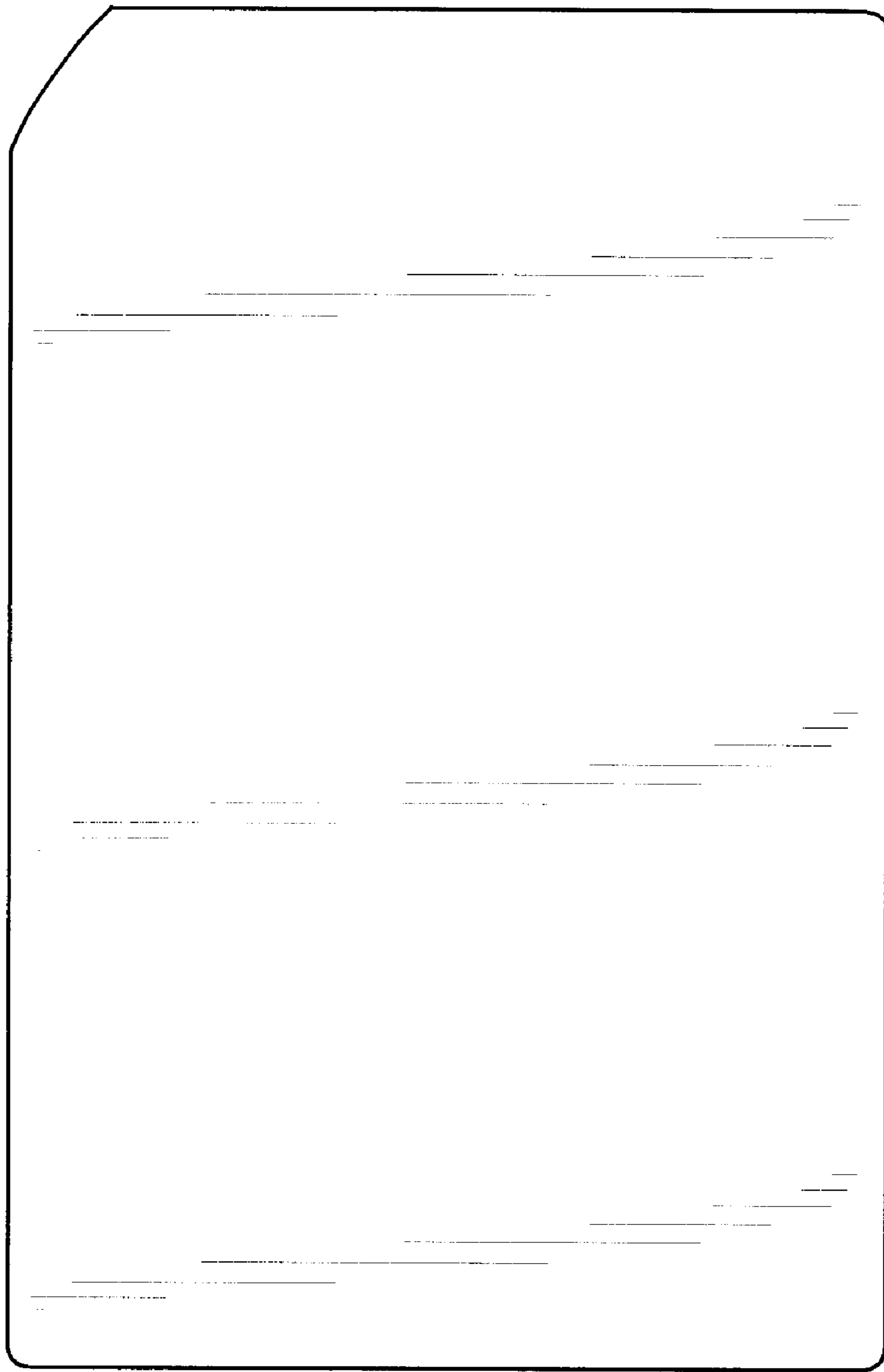


Fig. 3

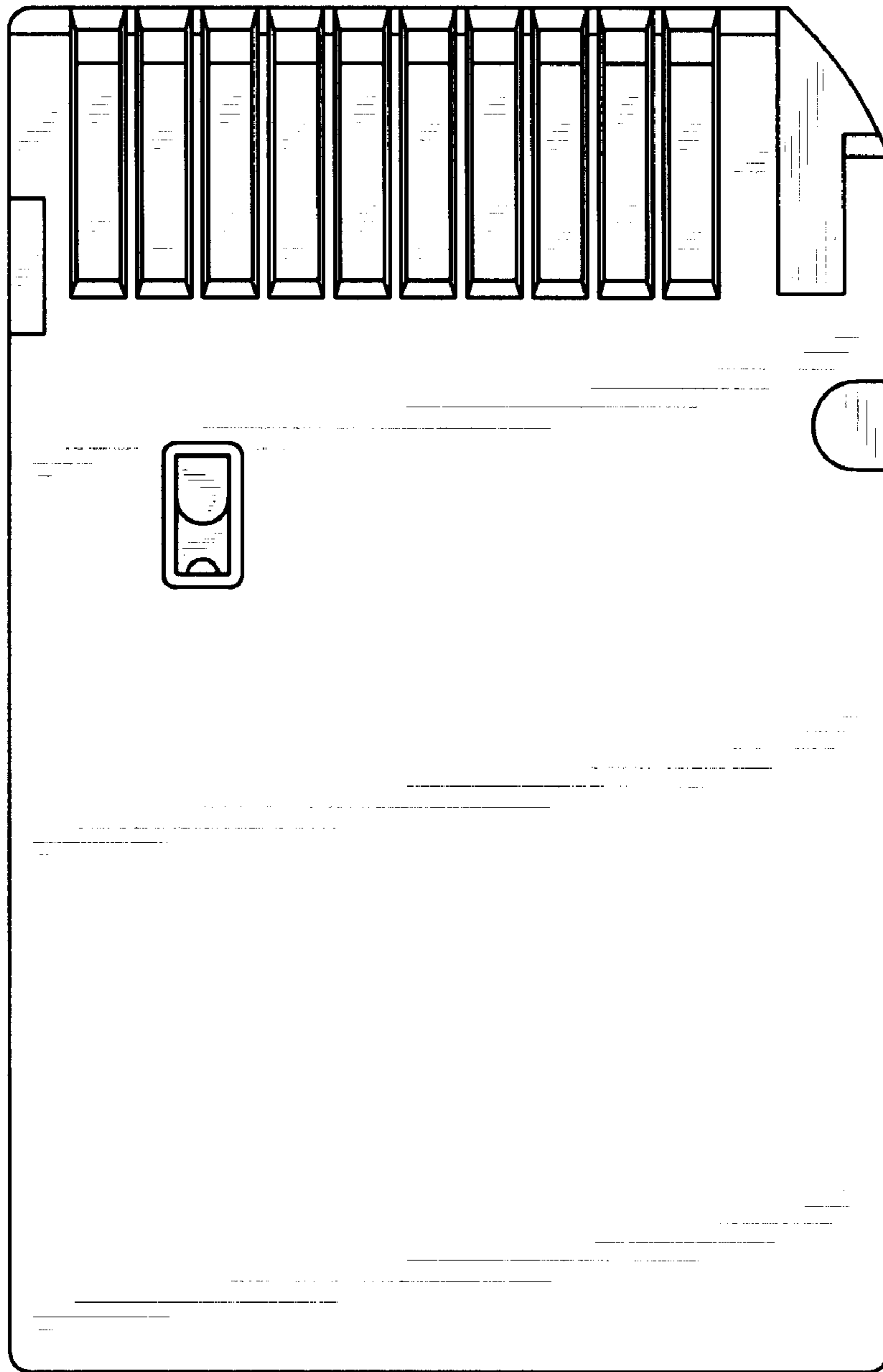


Fig. 4



Fig. 5

Fig. 6



Fig. 7

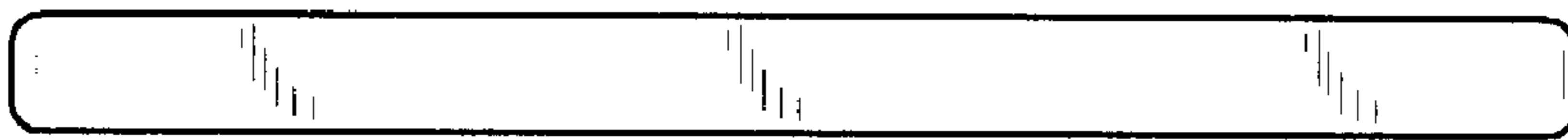


Fig. 8