



US00D457885S

(12) **United States Design Patent**
Yanagihara et al.

(10) **Patent No.:** **US D457,885 S**
(45) **Date of Patent:** **** May 28, 2002**

(54) **SCANNER FOR NUCLEAR MAGNETIC
RESONANCE TOMOGRAPHIC APPARATUS**

D351,150 S * 10/1994 Bontly et al. D14/423
D378,782 S * 4/1997 LaBarbera et al. D24/232
D384,651 S * 10/1997 Sandor et al. D14/423
D396,850 S * 8/1998 Ito D14/420

(75) Inventors: **Koji Yanagihara; Osamu Furuta;
Tadashi Tsukahara; Kiyoshi
Matsumura**, all of Tokyo (JP)

* cited by examiner

(73) Assignee: **GE Medical Systems Global
Technology Company, LLC**,
Waukesha, WI (US)

Primary Examiner—Kay H. Chin
(74) *Attorney, Agent, or Firm*—Moonray Kojima

(**) Term: **14 Years**

(57) **CLAIM**

(21) Appl. No.: **29/135,970**

The ornamental design for a scanner for nuclear magnetic resonance tomographic apparatus, as shown and described.

(22) Filed: **Jan. 23, 2001**

DESCRIPTION

(30) **Foreign Application Priority Data**

Aug. 7, 2000 (JP) 2000-025199

FIG. 1 is a front elevation view of a scanner for nuclear magnetic resonance tomographic apparatus, showing our new design.

(51) **LOC (7) Cl.** **14-02**

FIG. 2 is a rear view thereof.

(52) **U.S. Cl.** **D14/420; D14/423**

FIG. 3 is a top view thereof.

(58) **Field of Search** D14/420-431;
D19/41-51; D16/208, 214, 223, 232; 250/556,
203.1; 235/454, 462, 470, 380, 382, 382.5,
472, 476, 482, 483; D24/232, 231

FIG. 4 is a bottom view thereof.

FIG. 5 is a right side view thereof, with the left side view thereof being an identical symmetrical view thereof; and,

(56) **References Cited**

FIG. 6 is a perspective view thereof.

U.S. PATENT DOCUMENTS

D351,149 S * 10/1994 Bontly et al. D14/423

1 Claim, 3 Drawing Sheets

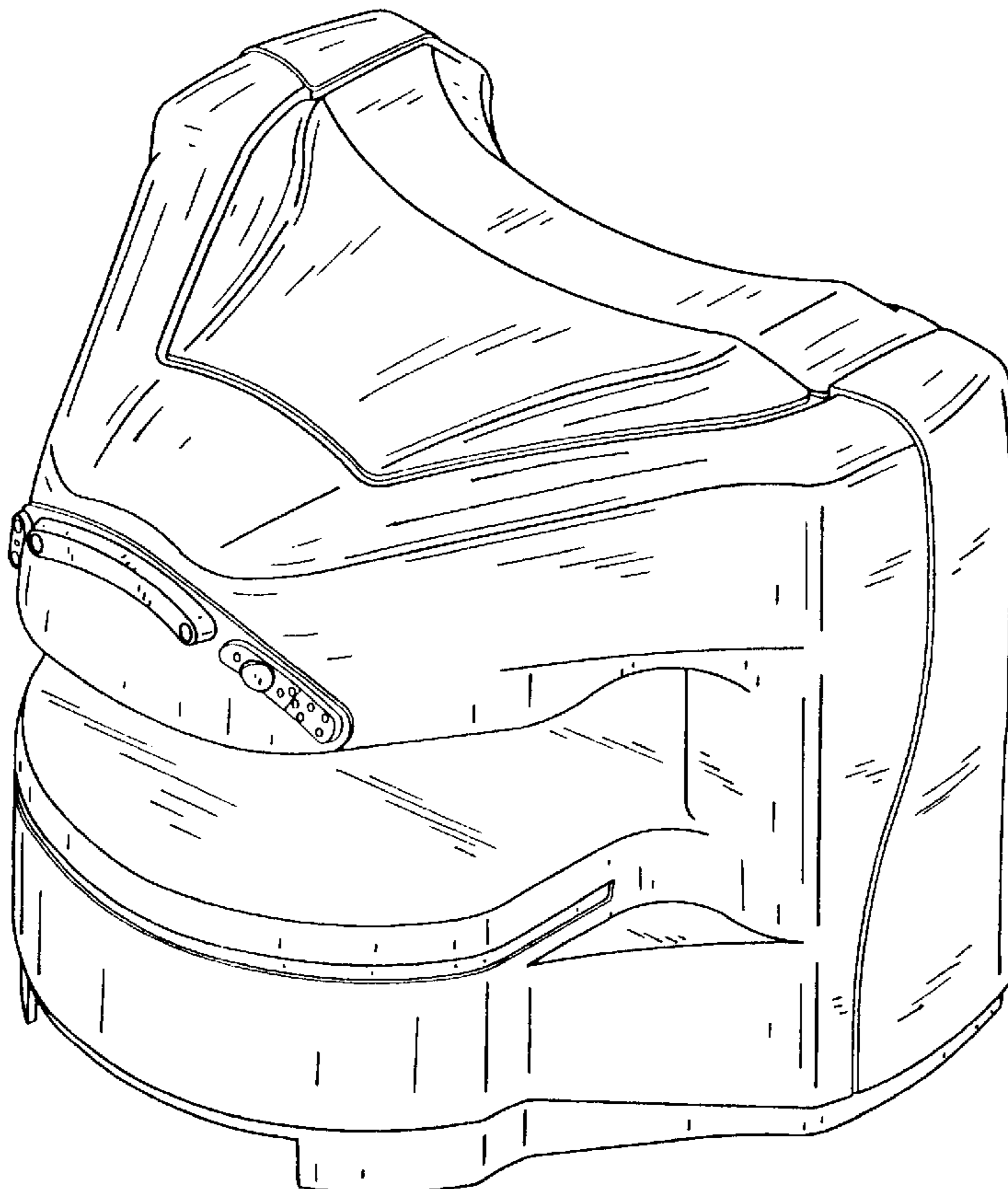


FIG. 1

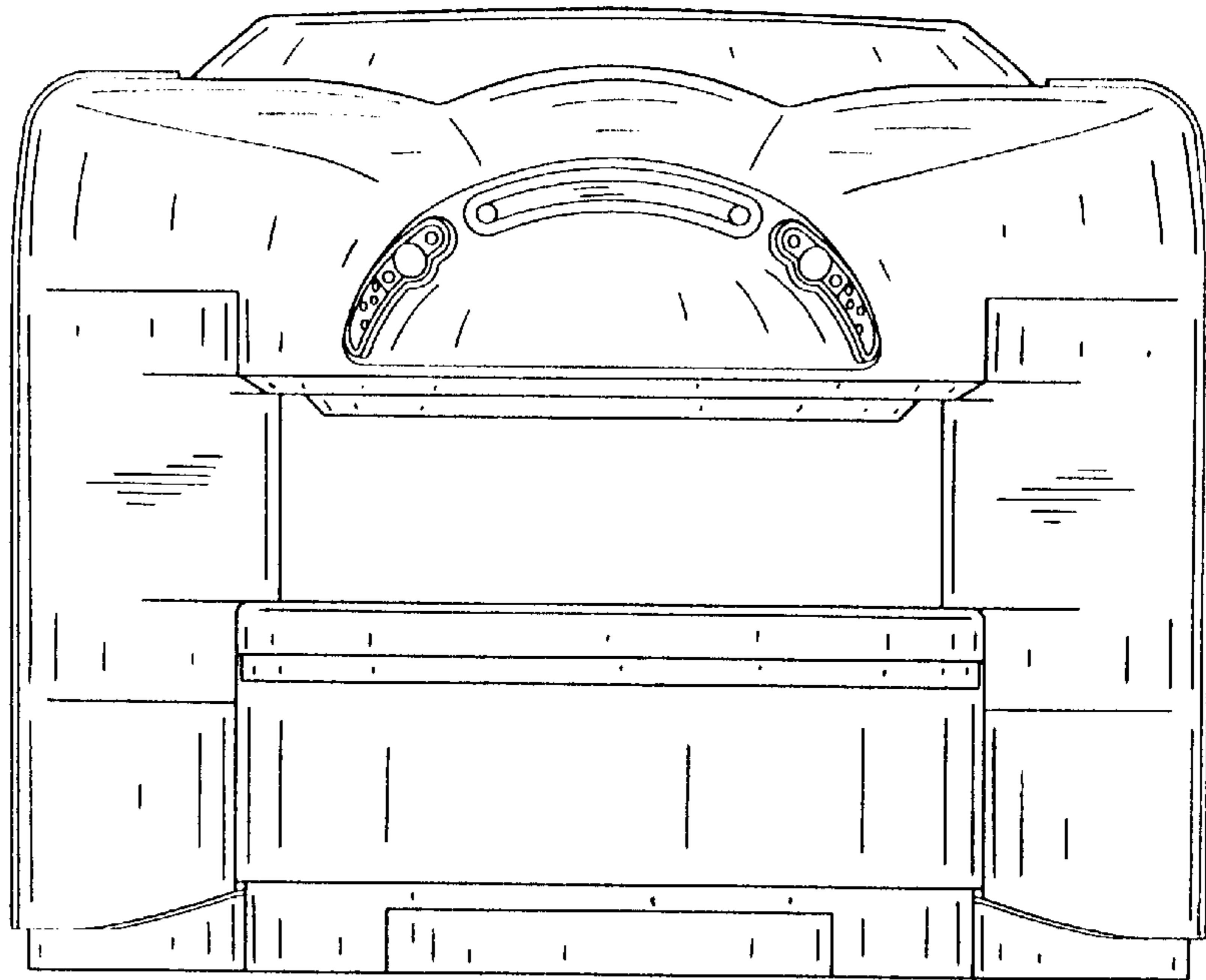


FIG. 2

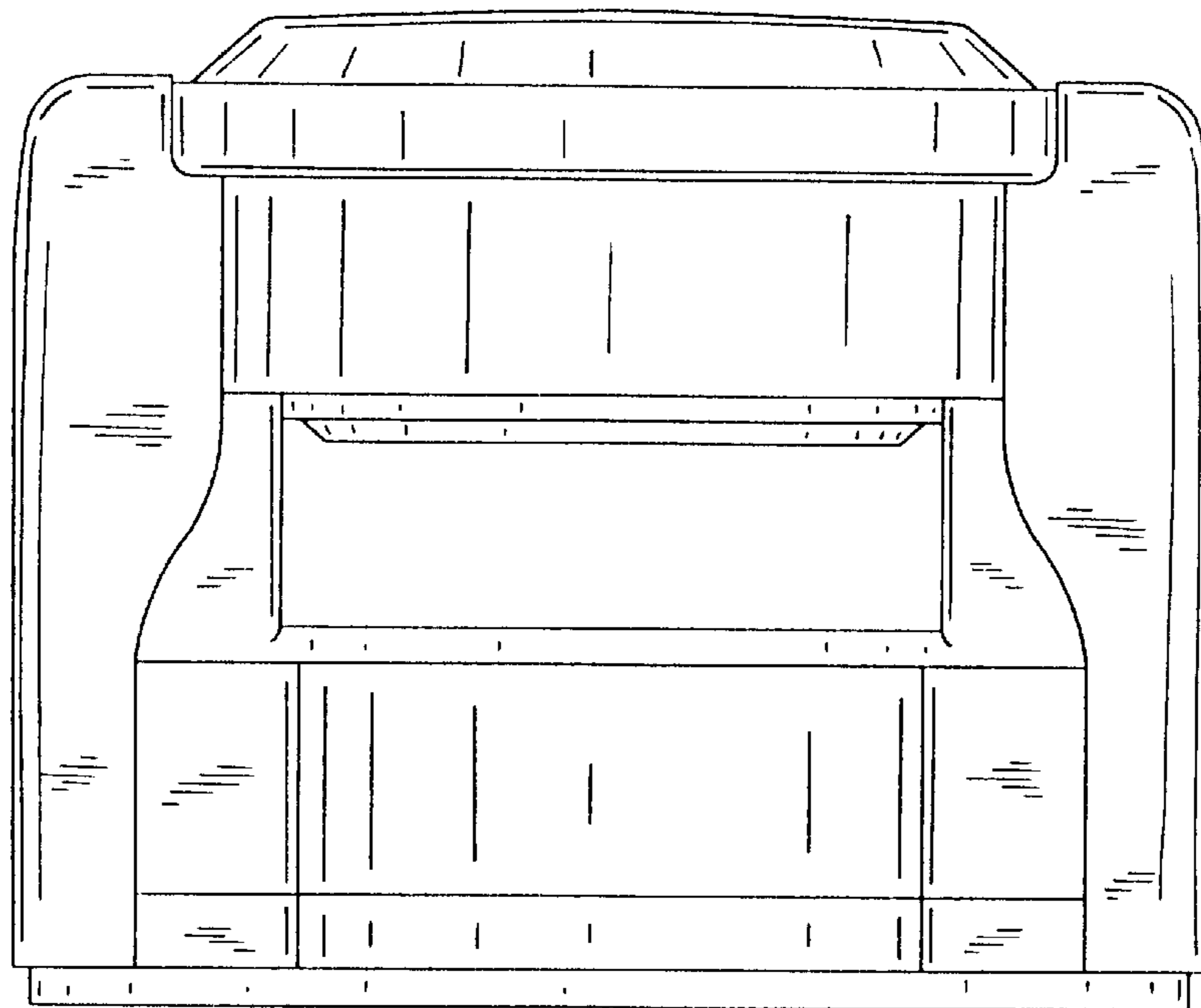


FIG. 3

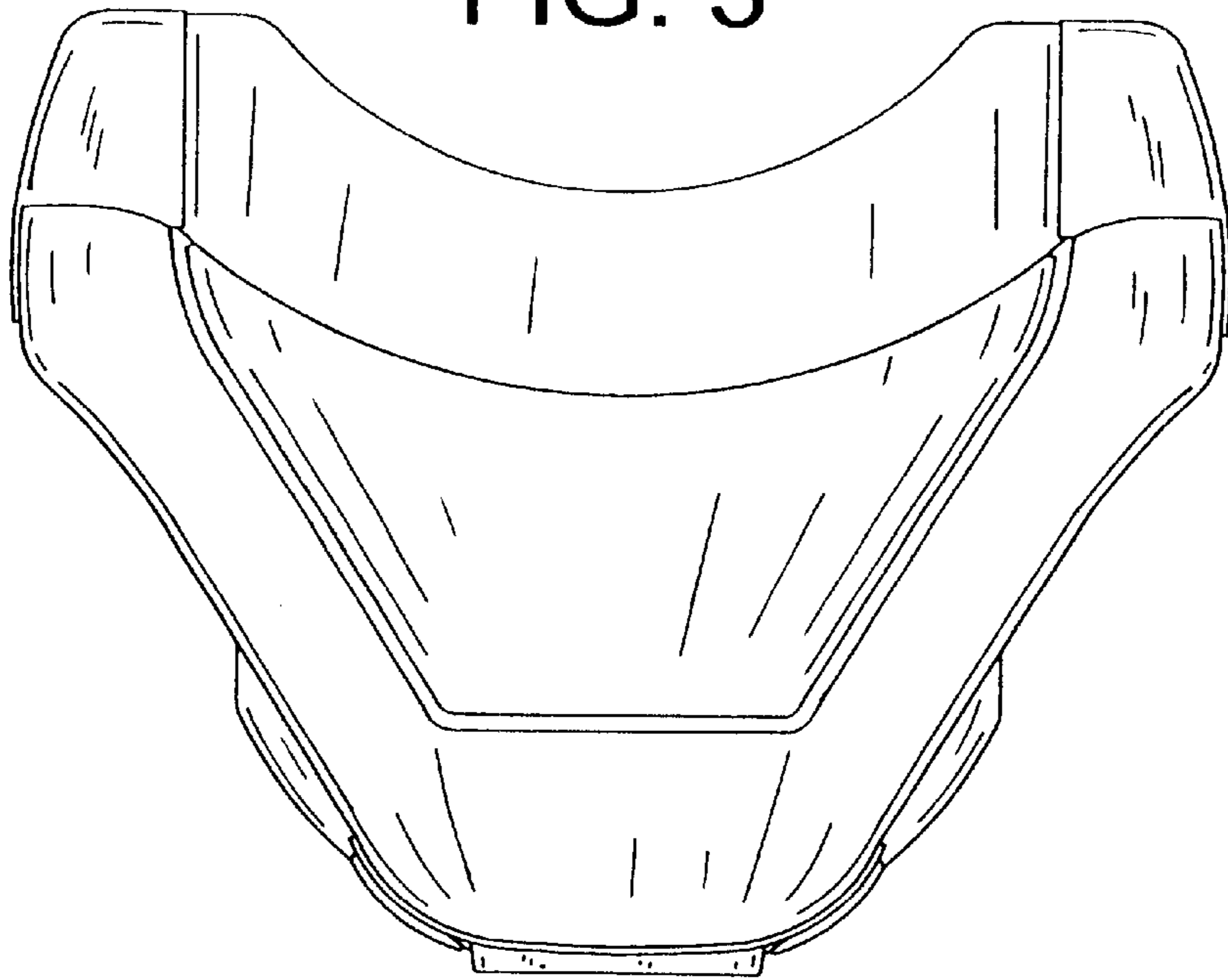


FIG. 4

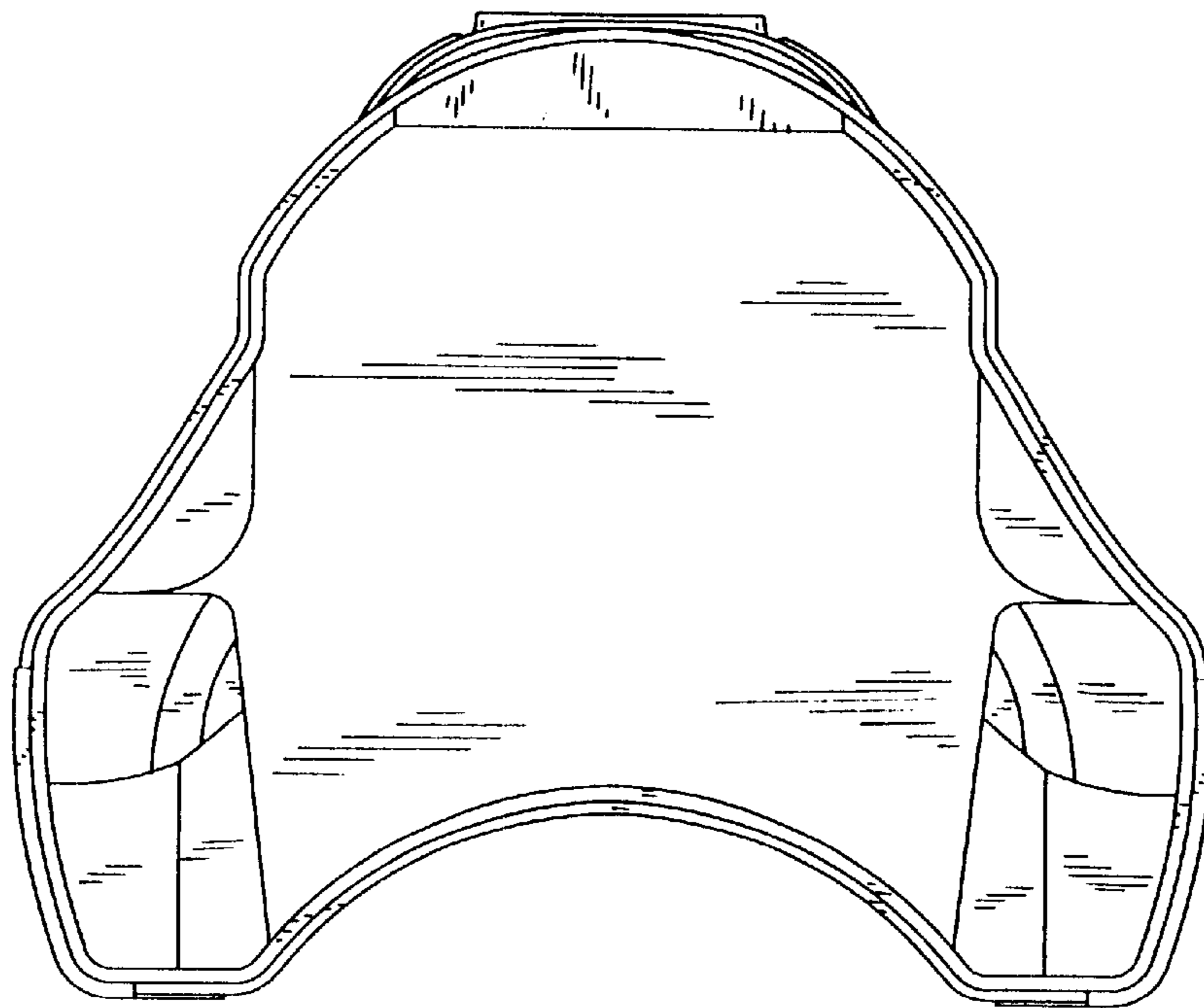


FIG. 5

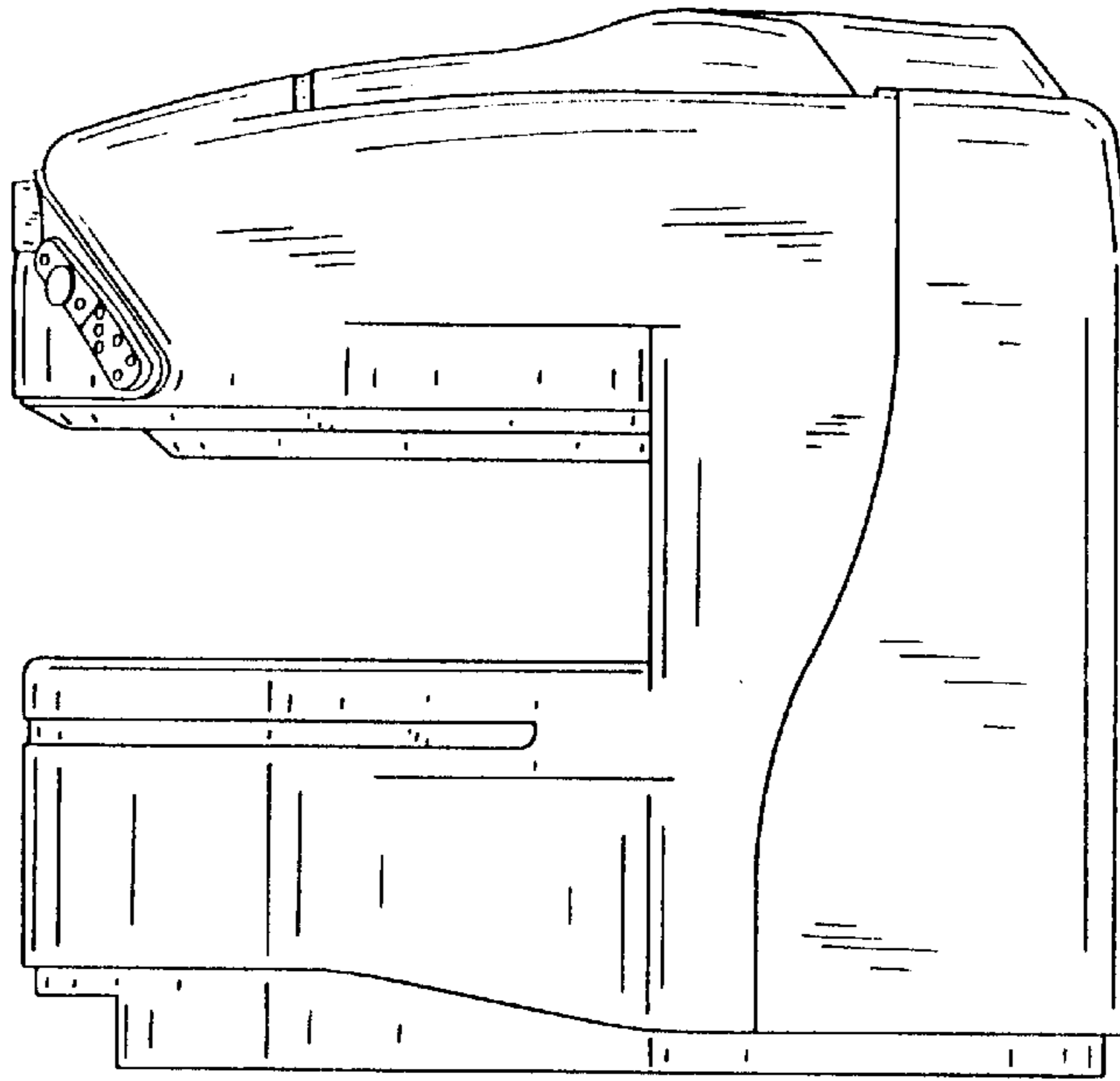


FIG. 6

