



US00D457880S

(12) **United States Design Patent**  
**Suzuki et al.**

(10) **Patent No.:** **US D457,880 S**

(45) **Date of Patent:** **\*\* May 28, 2002**

(54) **DISC PLAYER COMBINED WITH RADIO RECEIVER AND TAPE RECORDER**

D440,550 S 4/2001 Nakano  
D442,160 S 5/2001 Tsuchiya  
D442,574 S 5/2001 Ishii

(75) Inventors: **Satoshi Suzuki; Hisanori Narita**, both of Tokyo (JP)

**OTHER PUBLICATIONS**

Catalog "69", p. 125, Sony Corporation (Nov. 1991).  
Catalog "MD-CD System", pp. 6 &10, Sony Corporation (Nov. 2000).

(73) Assignee: **Sony Corporation**, Tokyo (JP)

(\*\*) Term: **14 Years**

\* cited by examiner

(21) Appl. No.: **29/140,907**

*Primary Examiner*—Nanda Bondade

(22) Filed: **Apr. 27, 2001**

(74) *Attorney, Agent, or Firm*—Rader, Fishman & Grauer, PLLC

(51) **LOC (7) Cl.** ..... **14-01**

(52) **U.S. Cl.** ..... **D14/257; D14/168**

(58) **Field of Search** ..... D14/135, 136,  
D14/156-168, 188, 191-198, 217-218,  
257-260, 265, 299; 369/75.1, 75.2, 77.1,  
77.2

(57) **CLAIM**

The ornamental design for a disc player combined with radio receiver and tape recorder, as shown and described.

(56) **References Cited**

**DESCRIPTION**

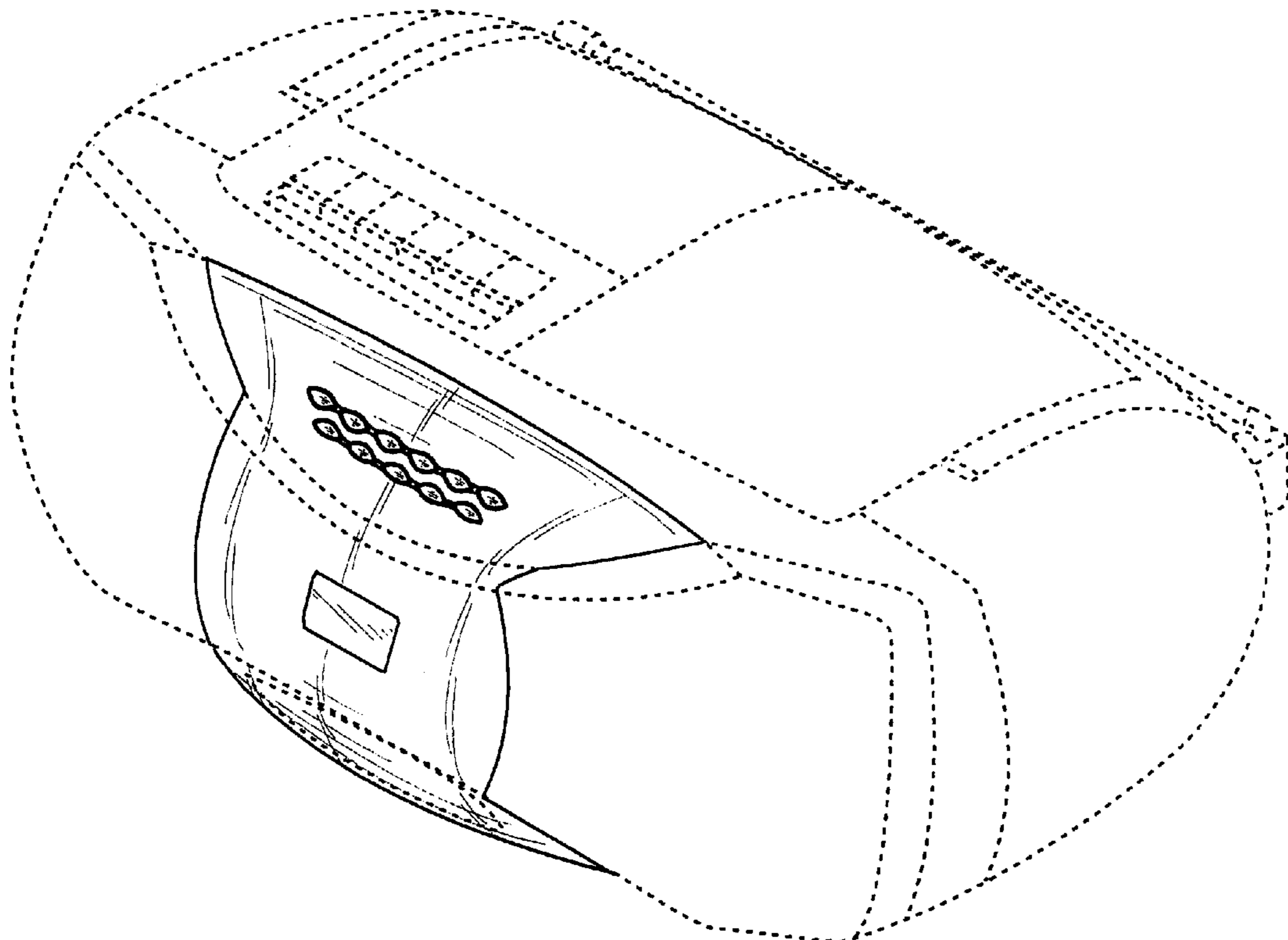
**U.S. PATENT DOCUMENTS**

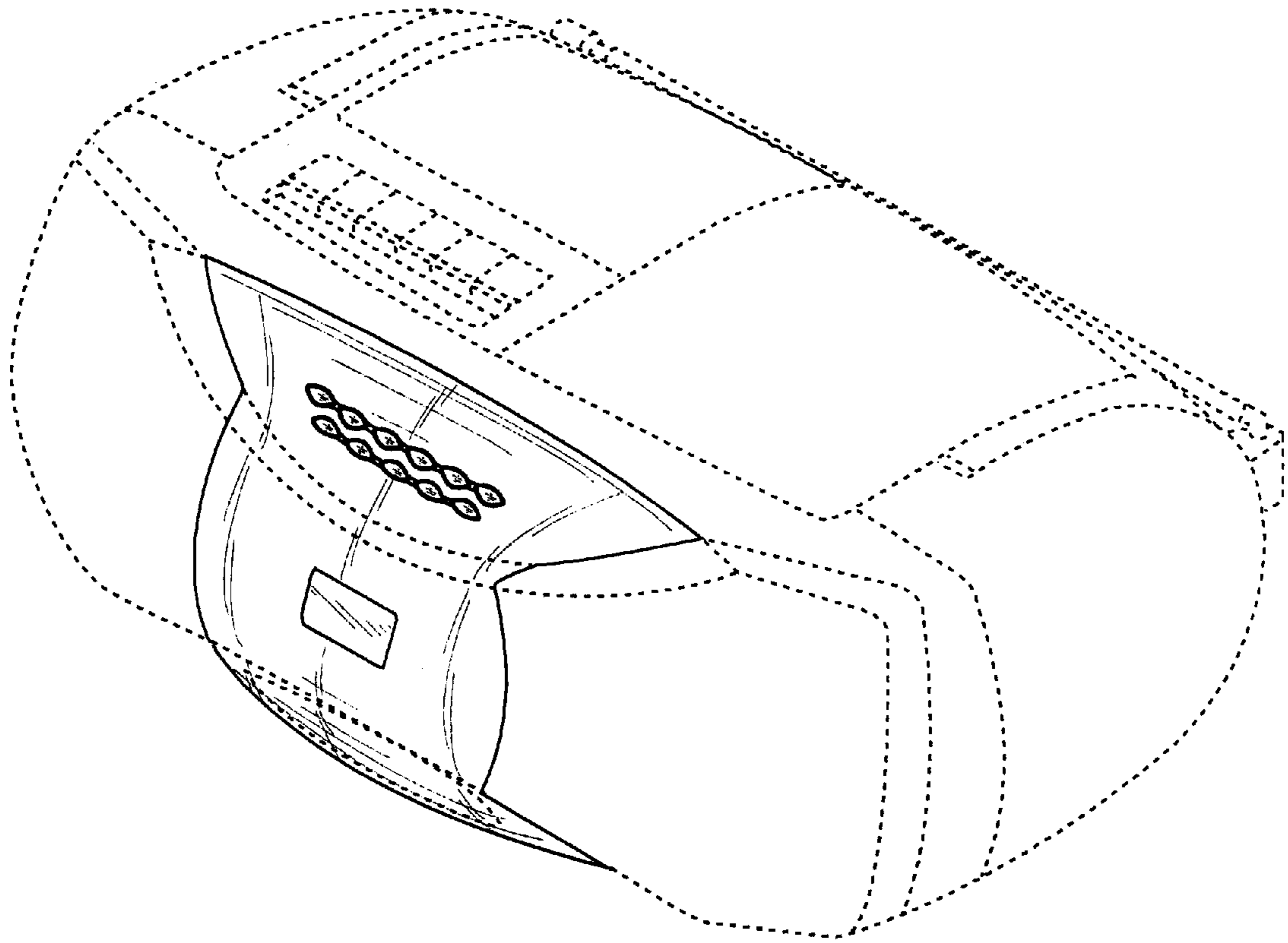
D209,287 S	*	11/1967	Spranger	.....	D14/197
D376,800 S	*	12/1996	Shudo	.....	D14/195
D420,000 S		2/2000	Yoneda		
D425,062 S	*	5/2000	Kokkinis	.....	D14/168
D426,224 S		6/2000	Yoneda		
D430,551 S		9/2000	Shiono		
D436,103 S		1/2001	Yamada et al.		
D439,888 S	*	4/2001	Bolas et al.	.....	D14/197

FIG. 1 is a perspective view of a disc player combined with radio receiver and tape recorder showing our new design; FIG. 2 is a front elevational view thereof; FIG. 3 is a left side elevational view thereof; FIG. 4 is a right side elevational view thereof; FIG. 5 is a top plan view thereof; and, FIG. 6 is a bottom plan view thereof.

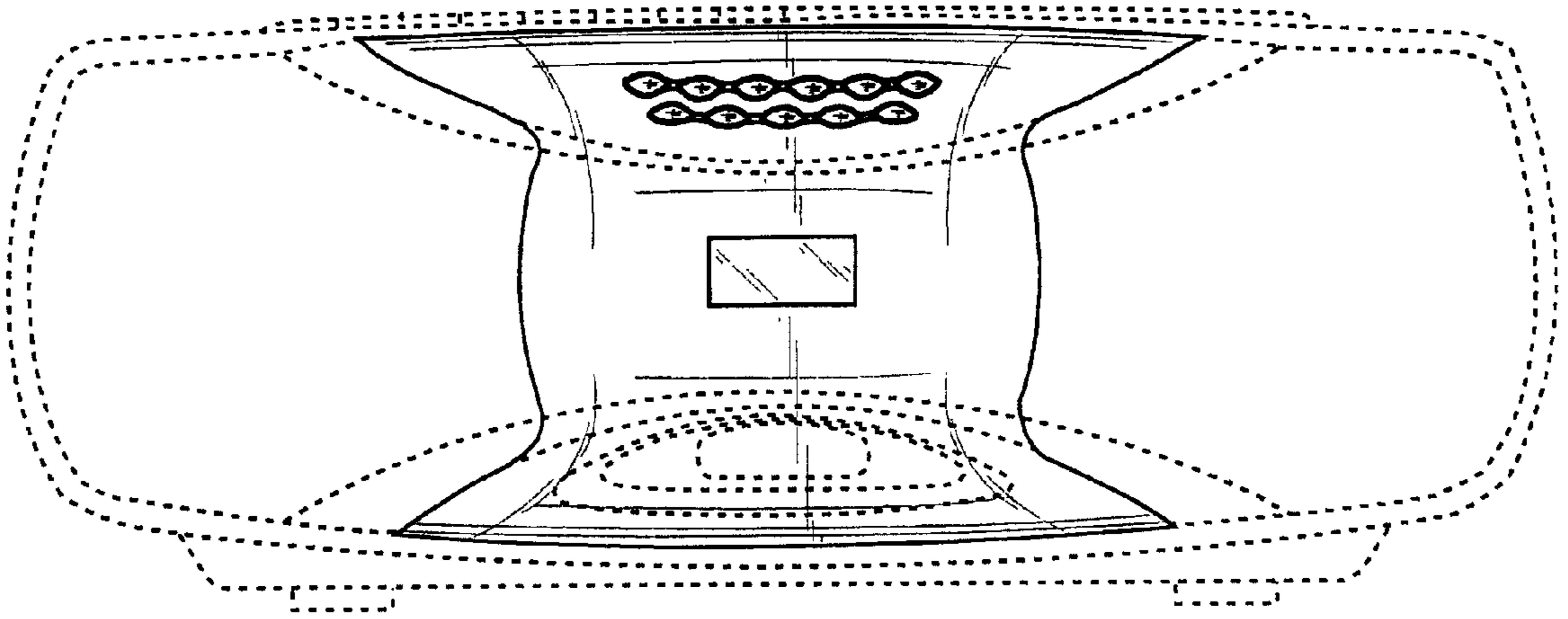
Portions in broken lines are for illustrative purposes only and form no part of the claimed design.

**1 Claim, 4 Drawing Sheets**

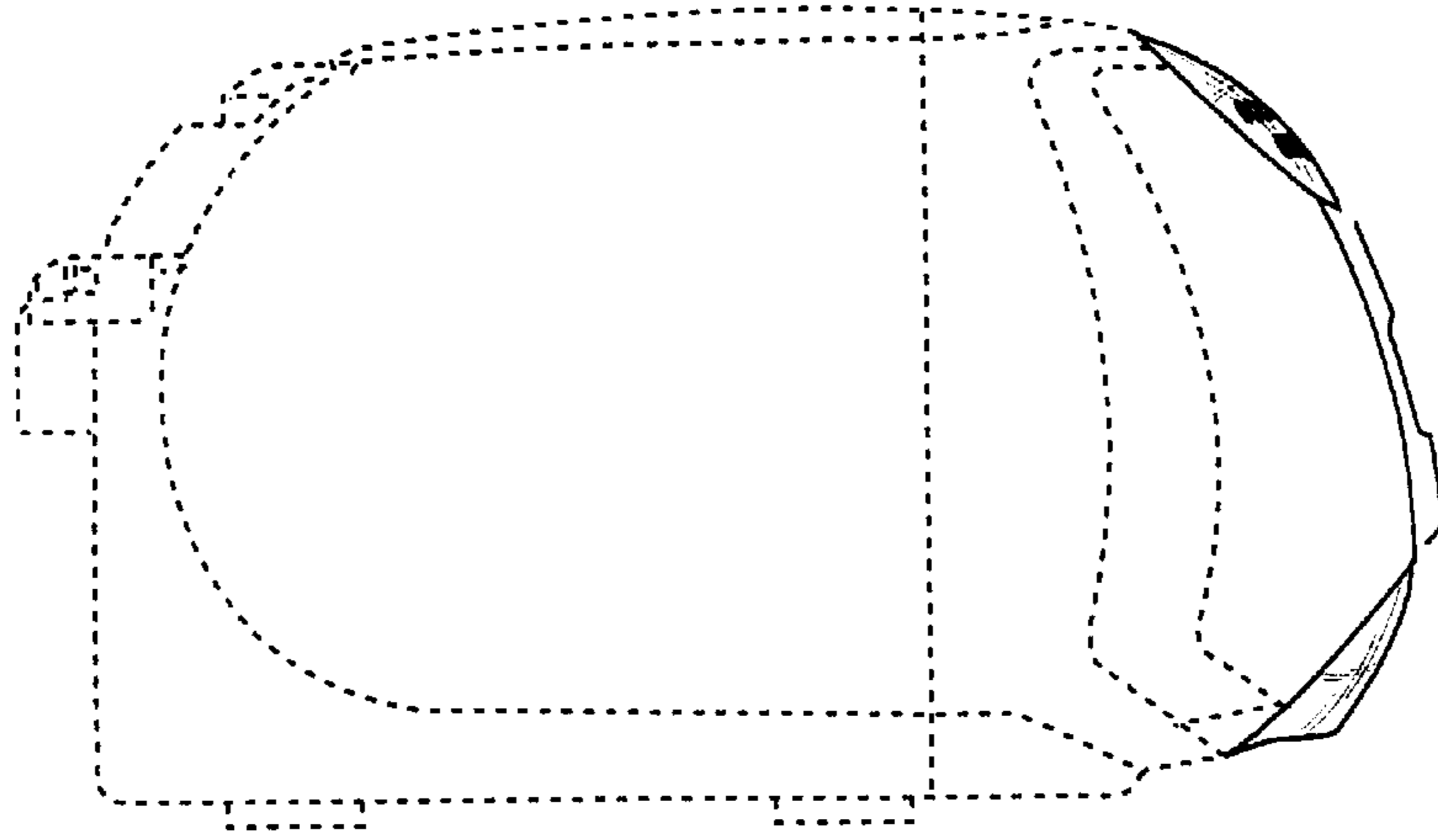




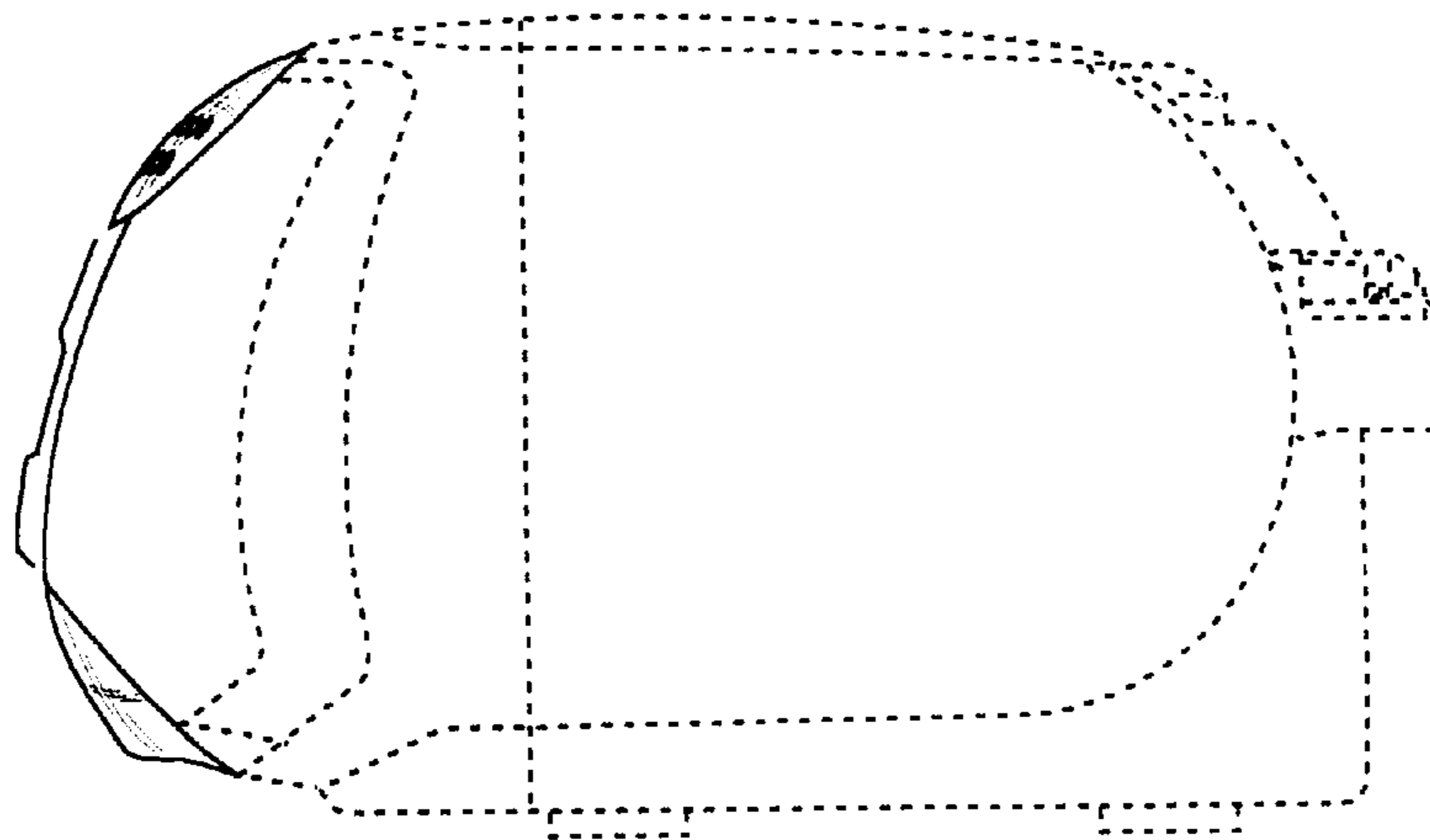
**Fig. 1**



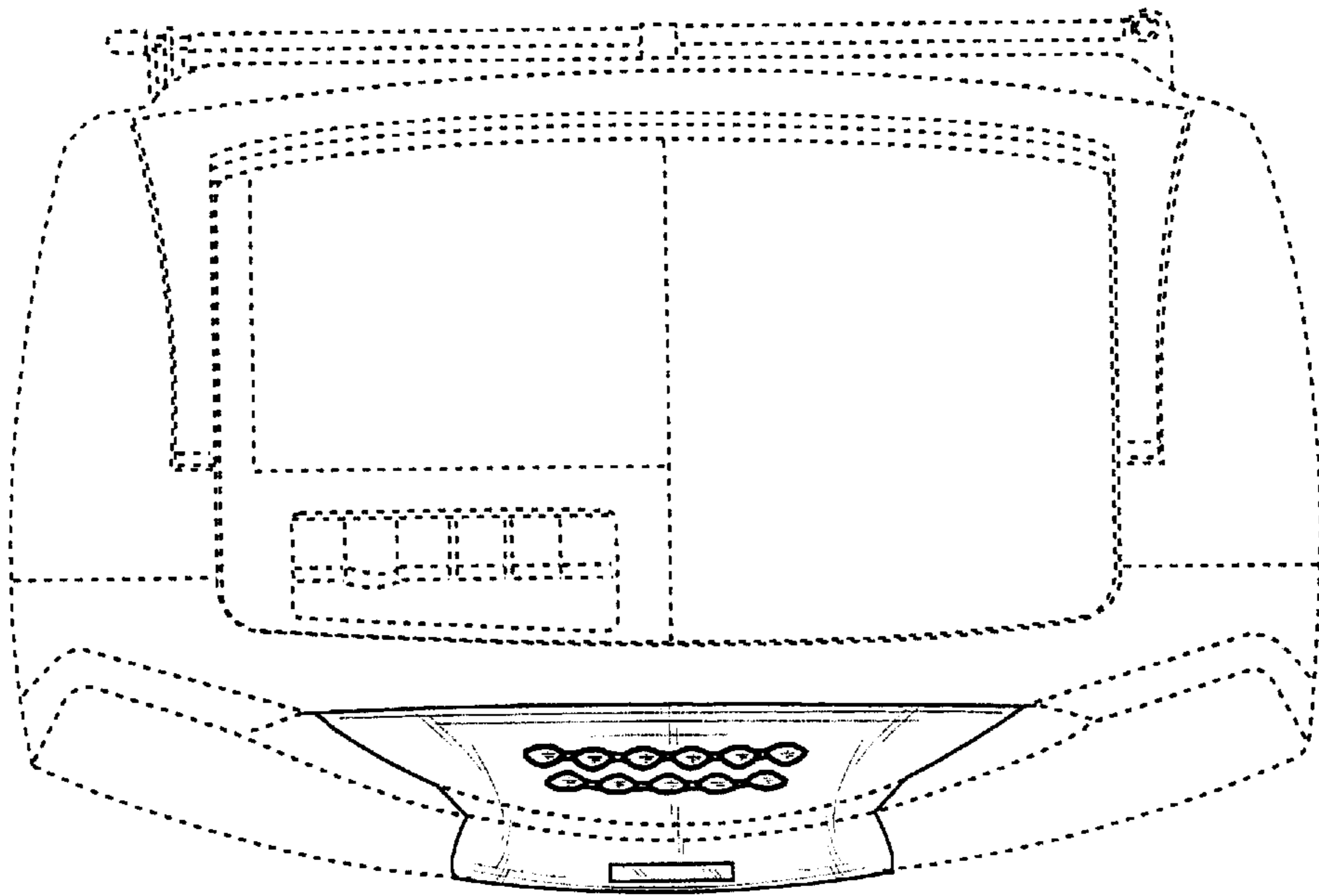
**Fig. 2**



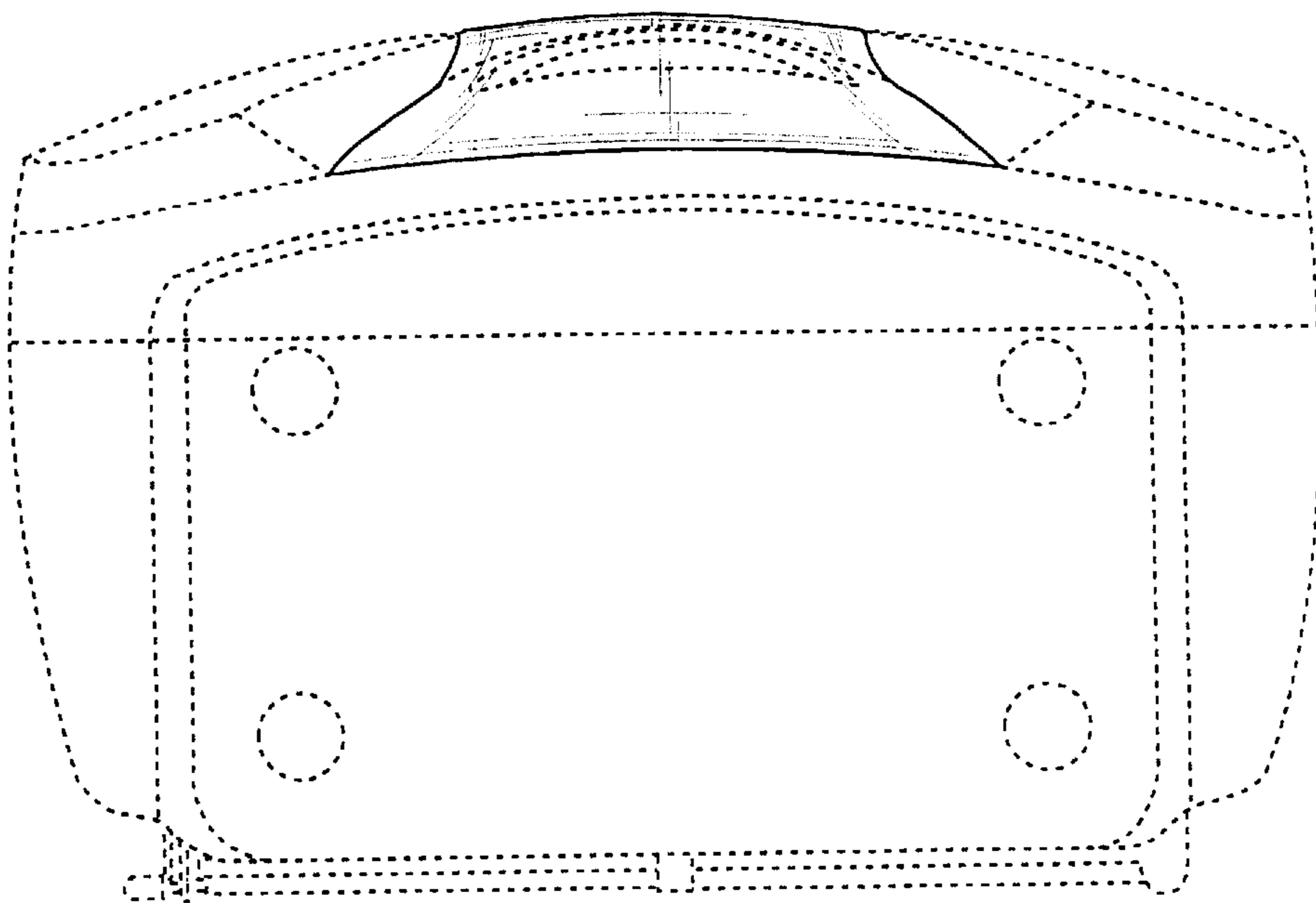
**FIG. 3**



**FIG. 4**



**FIG. 5**



**FIG. 6**