



US00D457877S

(12) **United States Design Patent**
McDonald et al.

(10) **Patent No.:** **US D457,877 S**

(45) **Date of Patent:** **** May 28, 2002**

(54) **MICROWAVE ANTENNA AND ELECTRONICS HOUSING ASSEMBLY**

D327,690 S * 7/1992 Ogawa et al. D14/230
D424,554 S * 5/2000 Overton et al. D14/230
D427,182 S * 6/2000 Andrew et al. D14/230
D441,355 S * 5/2001 Smith D14/231

(75) Inventors: **Patric W. McDonald**, Granite Bay;
Daniel J. Bryson, Citrus Heights, both
of CA (US)

* cited by examiner

(73) Assignee: **Multipoint Radio Incorporated**,
Roseville, CA (US)

Primary Examiner—Louis S. Zarfes

Assistant Examiner—Greg Andoll

(74) *Attorney, Agent, or Firm*—Heisler & Associates

(**) Term: **14 Years**

(57) **CLAIM**

(21) Appl. No.: **29/137,470**

The ornamental design for a microwave antenna and electronics housing assembly, as shown and described.

(22) Filed: **Feb. 21, 2001**

DESCRIPTION

(51) **LOC (7) Cl.** **14-03**

(52) **U.S. Cl.** **D14/231; D14/230**

(58) **Field of Search** D14/230–238;
343/720, 900, 713, 878, 905, 906, 715,
749, 752, 895, 714, 806, 802, 823, 805,
872, 705, 708, 741, 840, 882, 702, 873,
881

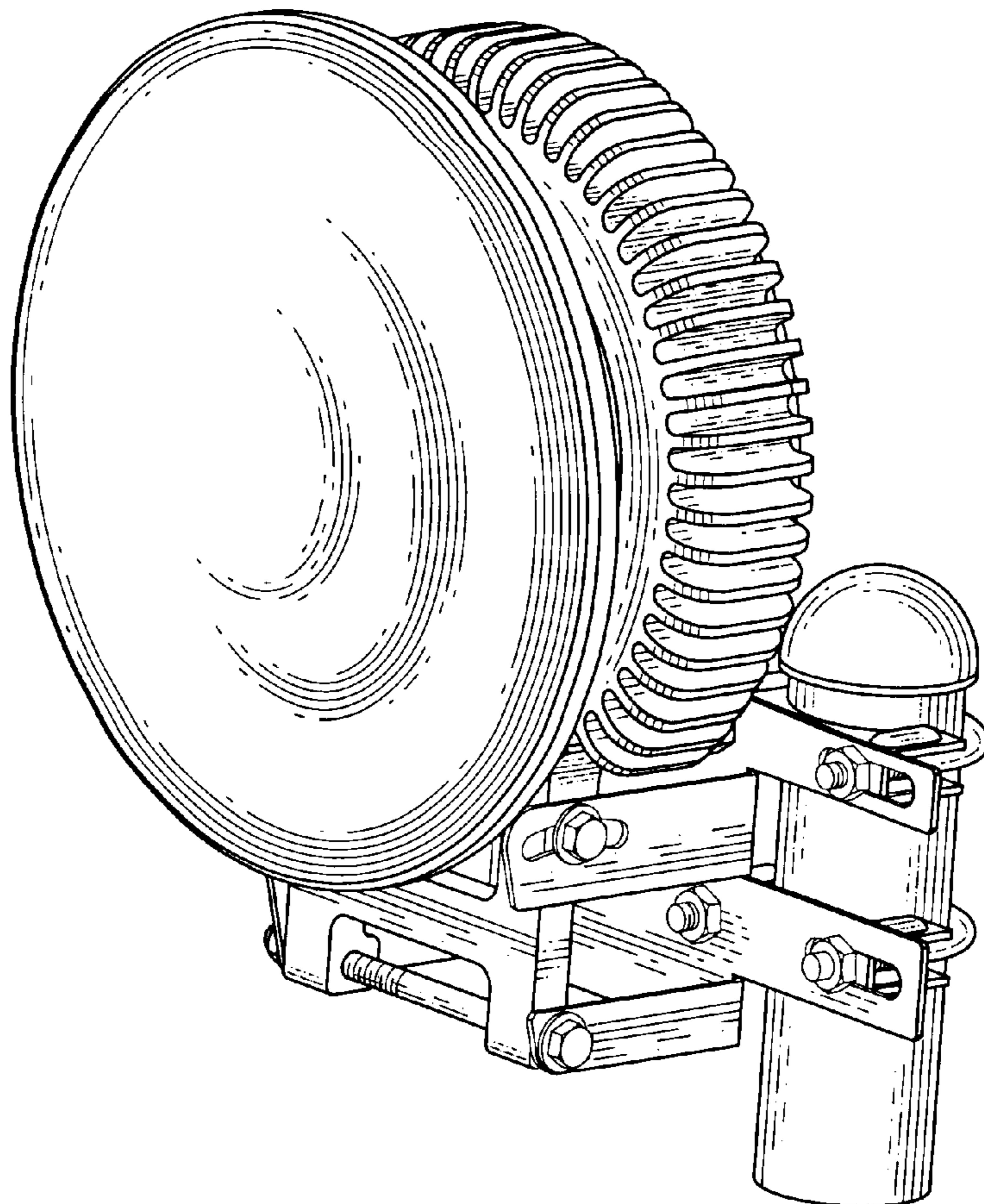
FIG. 1 is a perspective view of a microwave antenna and electronics housing assembly showing our new invention; FIG. 2 is a right side view of the invention; FIG. 3 is a front elevation view of the invention; FIG. 4 is top plan view of the invention; FIG. 5 is a rear elevation view of the invention; FIG. 6 is a left side view of the invention; and, FIG. 7 is a bottom plan view of the invention.

(56) **References Cited**

U.S. PATENT DOCUMENTS

D308,203 S * 5/1990 Kosugi et al. D14/230

1 Claim, 3 Drawing Sheets



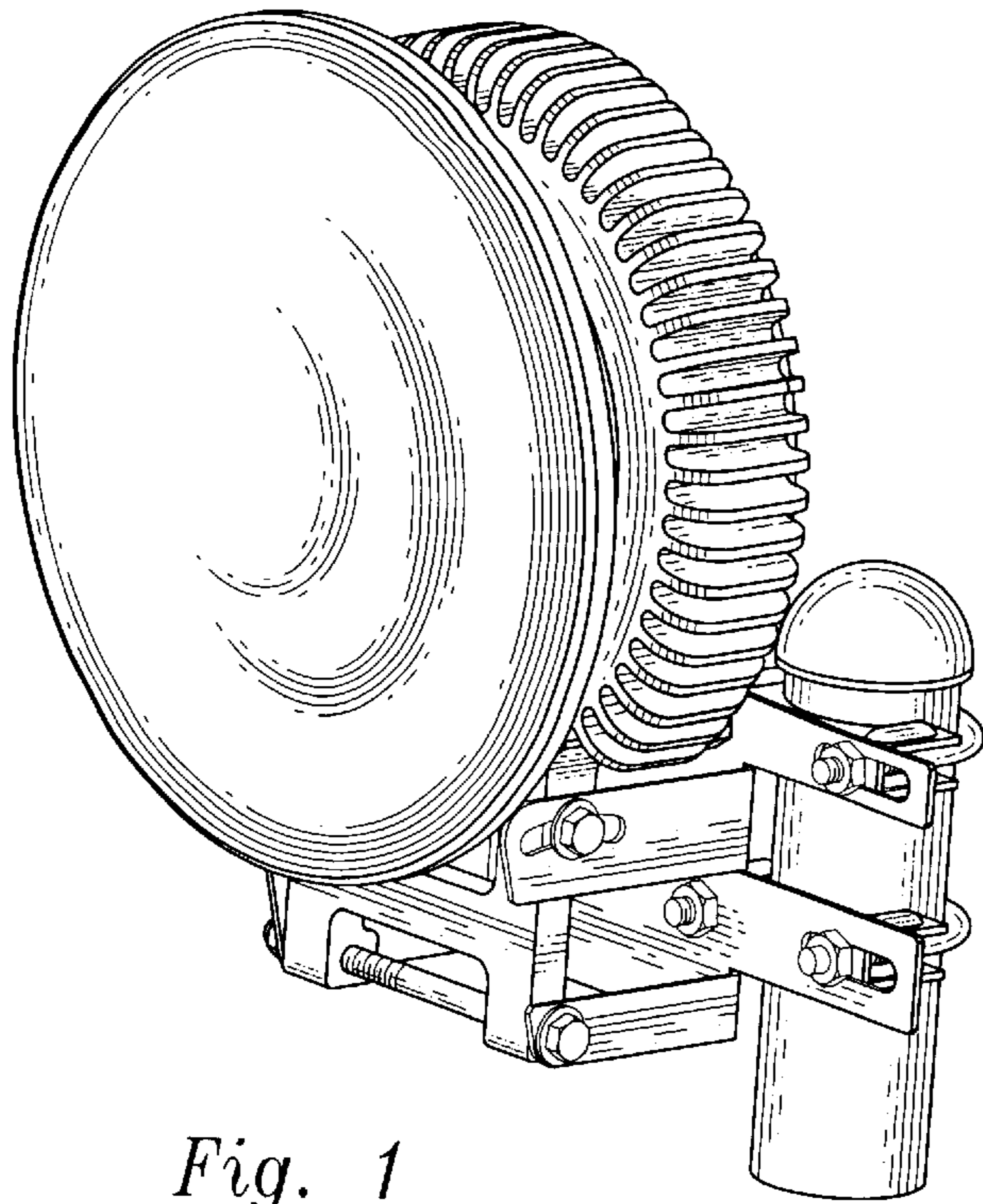


Fig. 1

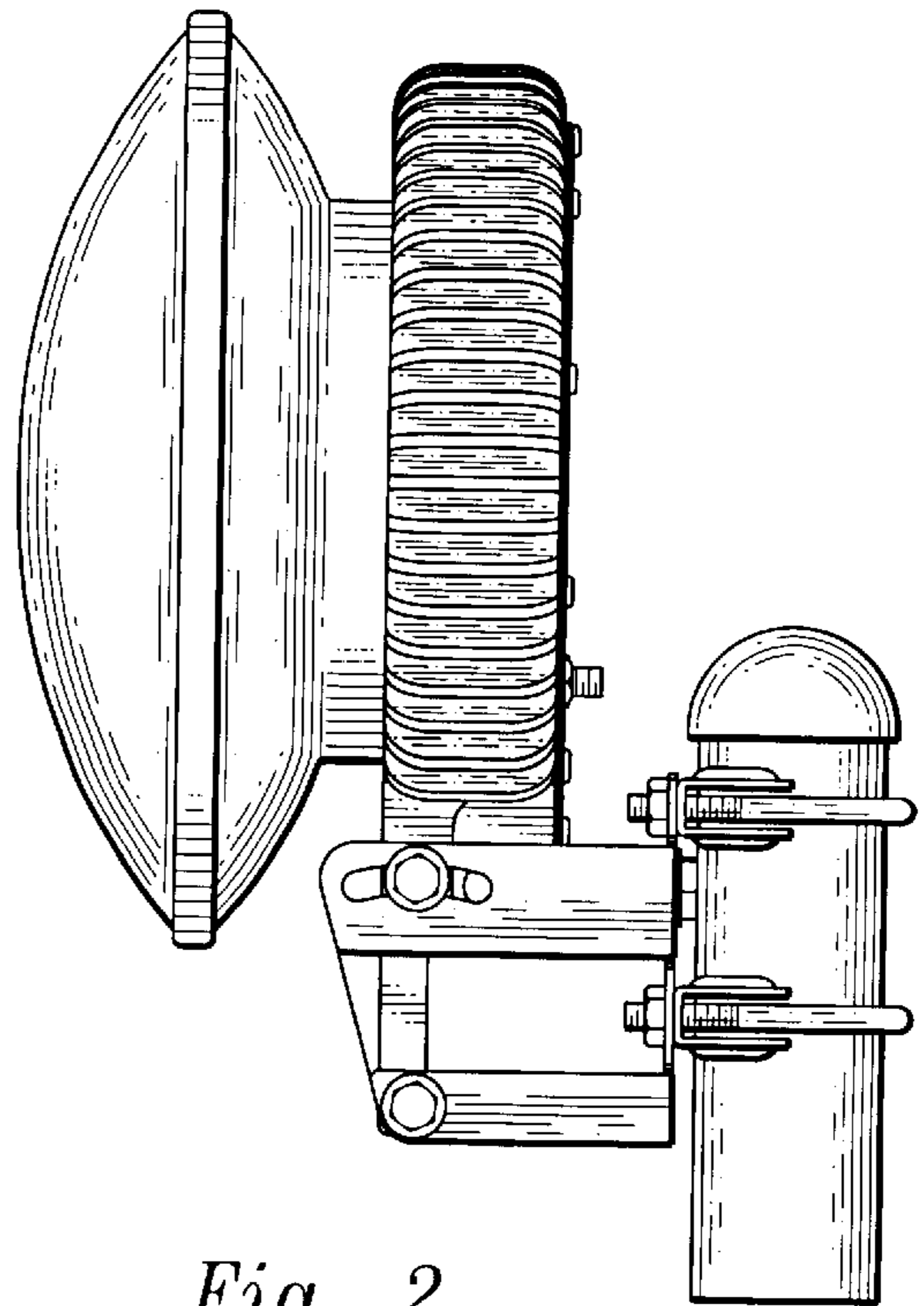


Fig. 2

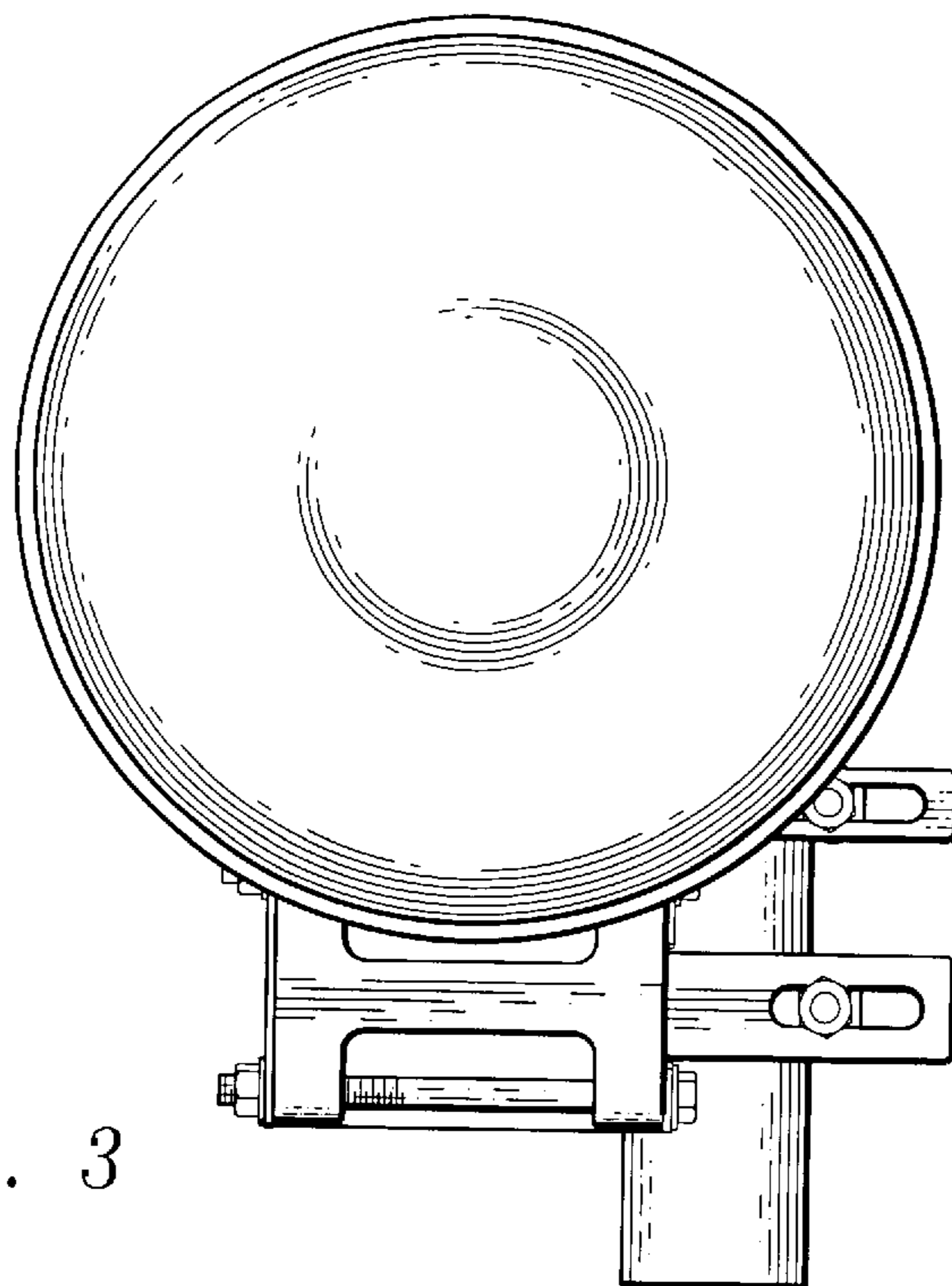


Fig. 3

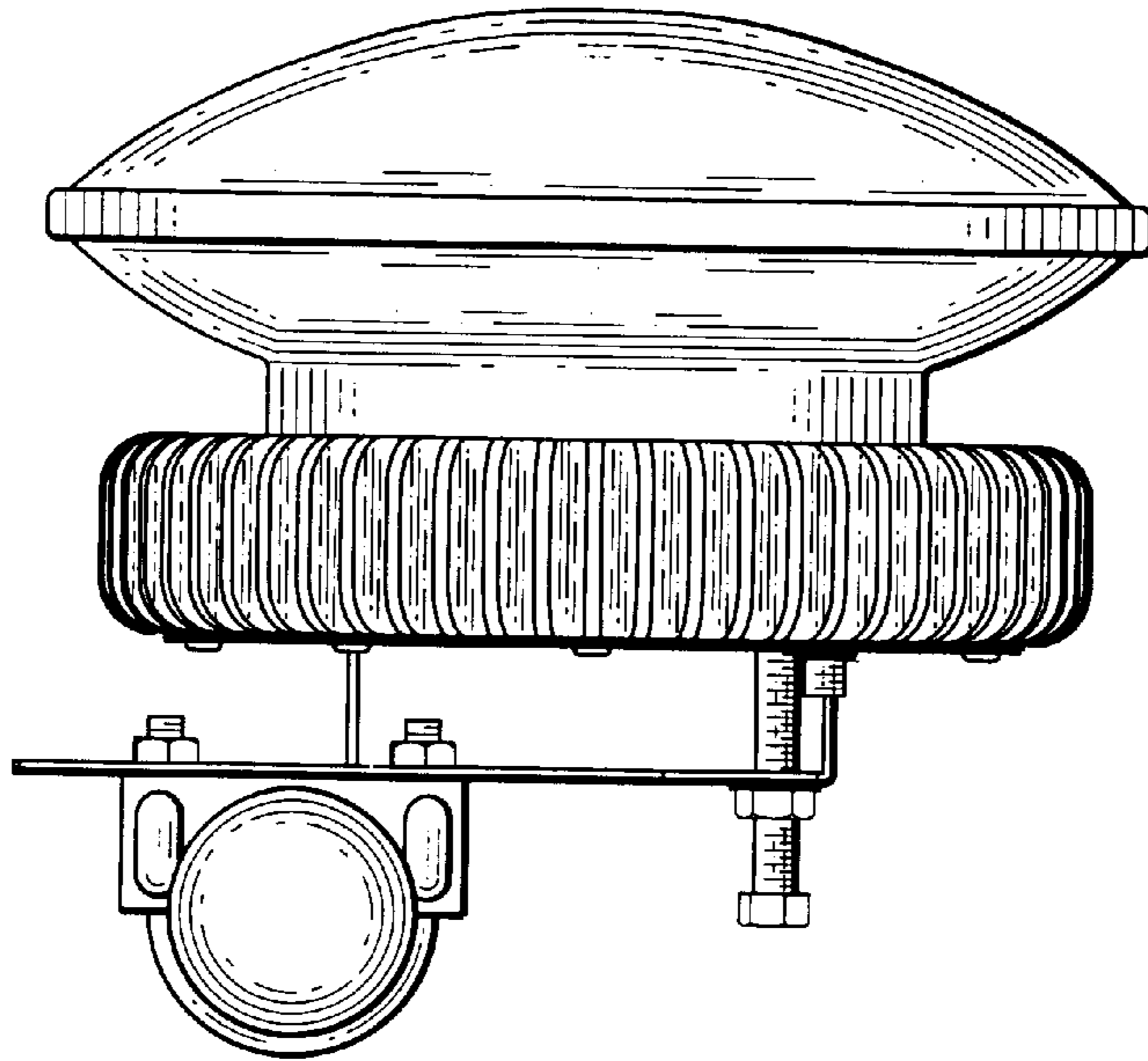


Fig. 4

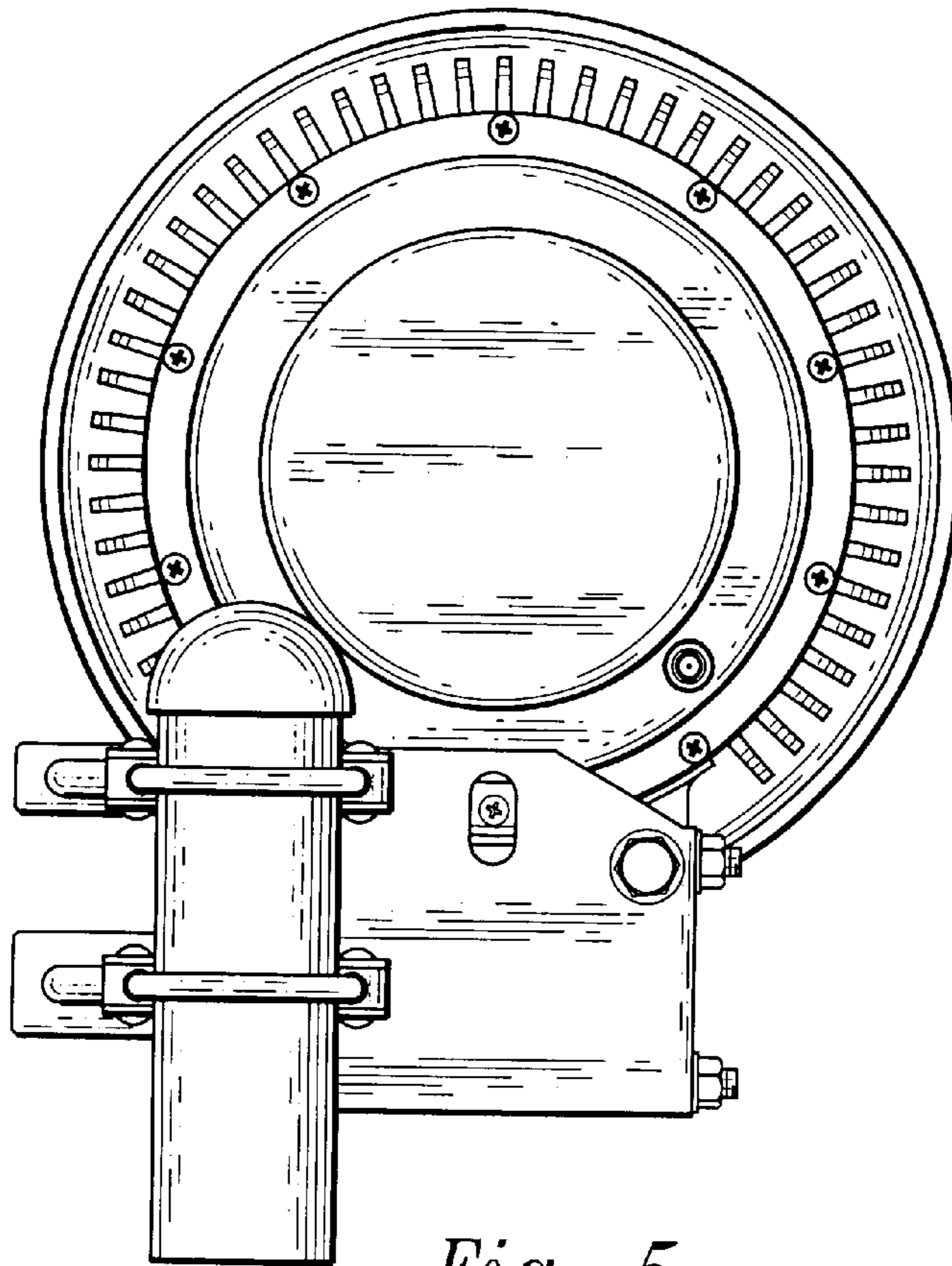


Fig. 5

