



US00D457876S

(12) **United States Design Patent**
Chung

(10) **Patent No.:** **US D457,876 S**

(45) **Date of Patent:** **** *May 28, 2002**

(54) **MICROPHONE**

D233,669 S * 11/1974 Plice D14/228
D412,708 S * 8/1999 Okon D14/288

(75) Inventor: **Ming-Cheng Chung**, Taichung (TW)

OTHER PUBLICATIONS

(73) Assignee: **Taky Electronics Co., Ltd.**, Ta-Li (TW)

Sony Style, p. 290, Microphone, model No. ECM-737 One-pointed Stereo Microphone, 1993.*

(*) Notice: This patent is subject to a terminal disclaimer.

Sony Style, p. 292, Microphone, model No. ECM-K57 Video Microphone, 1993.*

(**) Term: **14 Years**

* cited by examiner

(21) Appl. No.: **29/128,811**

Primary Examiner—Nanda Bondade

(22) Filed: **Sep. 1, 2000**

(74) *Attorney, Agent, or Firm*—Bacon & Thomas, PLLC

(51) **LOC (7) Cl.** **14-01**

(52) **U.S. Cl.** **D14/228**

(58) **Field of Search** D14/225-229;
181/158, 242; 381/157, 158, 181, 355-360,
369

(57) **CLAIM**

The ornamental design for a microphone, as shown and described.

(56) **References Cited**

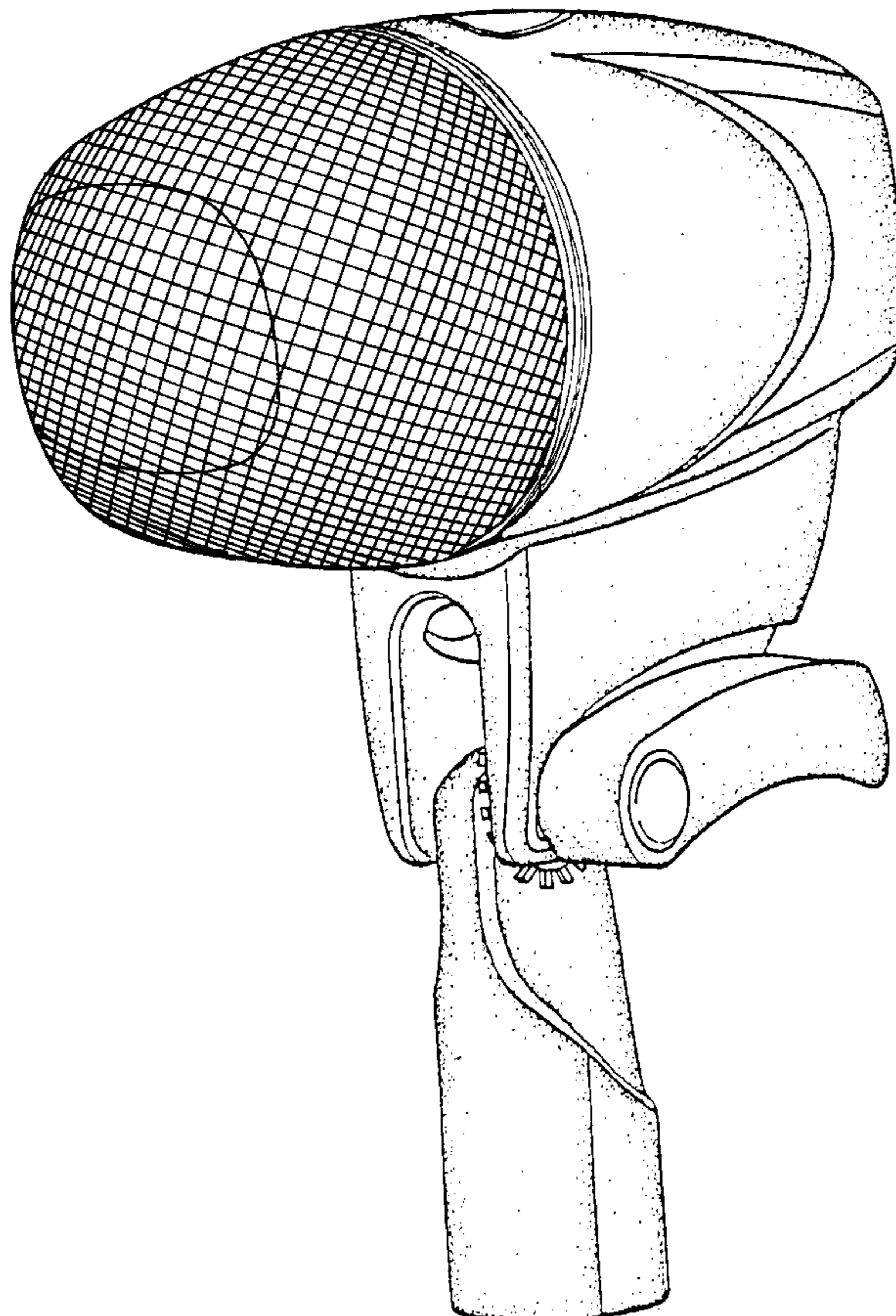
DESCRIPTION

U.S. PATENT DOCUMENTS

2,623,957 A * 12/1952 Cragg et al. D14/288 X
D183,114 S * 7/1958 Burroughs D14/228
D194,151 S * 11/1962 Deschamps et al. D14/228
D213,567 S * 3/1969 Khan D14/228

FIG. 1 shows a perspective view of the present design.
FIG. 2 shows a front elevational view of the present design.
FIG. 3 shows a rear elevational view of the present design.
FIG. 4 shows a left elevational view of the present design.
FIG. 5 shows a right elevational view of the present design.
FIG. 6 shows a top plan view of the present design; and,
FIG. 7 shows a bottom plan view of the present design.

1 Claim, 7 Drawing Sheets



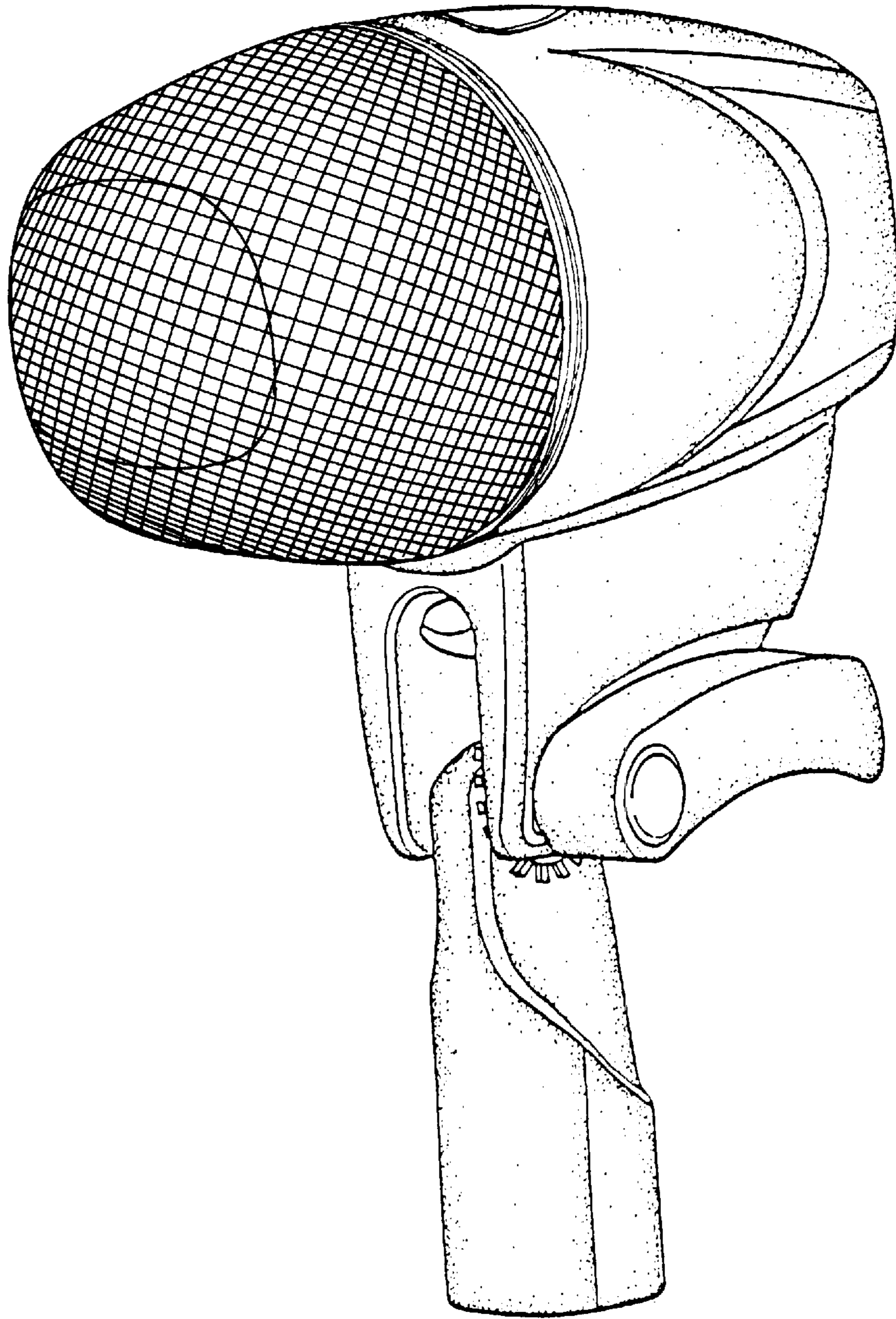


Fig • 1

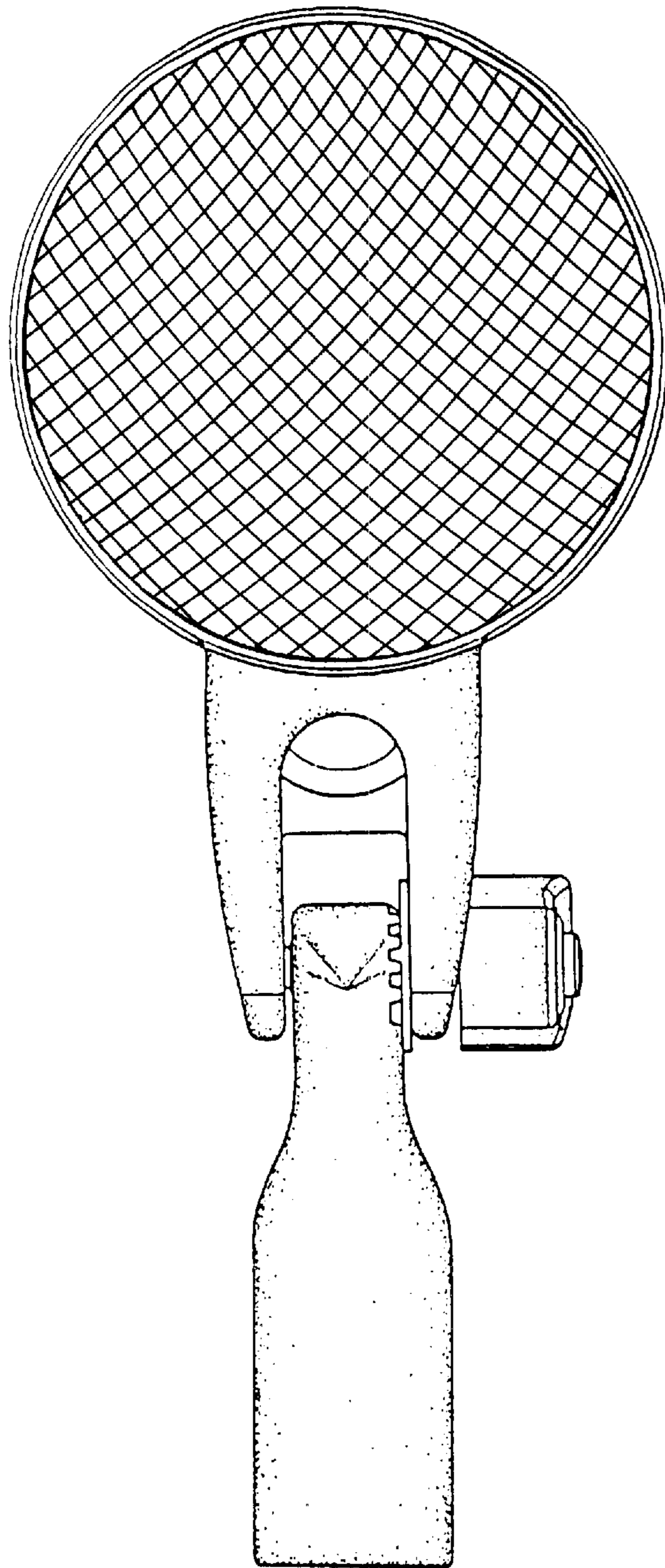


Fig. 2

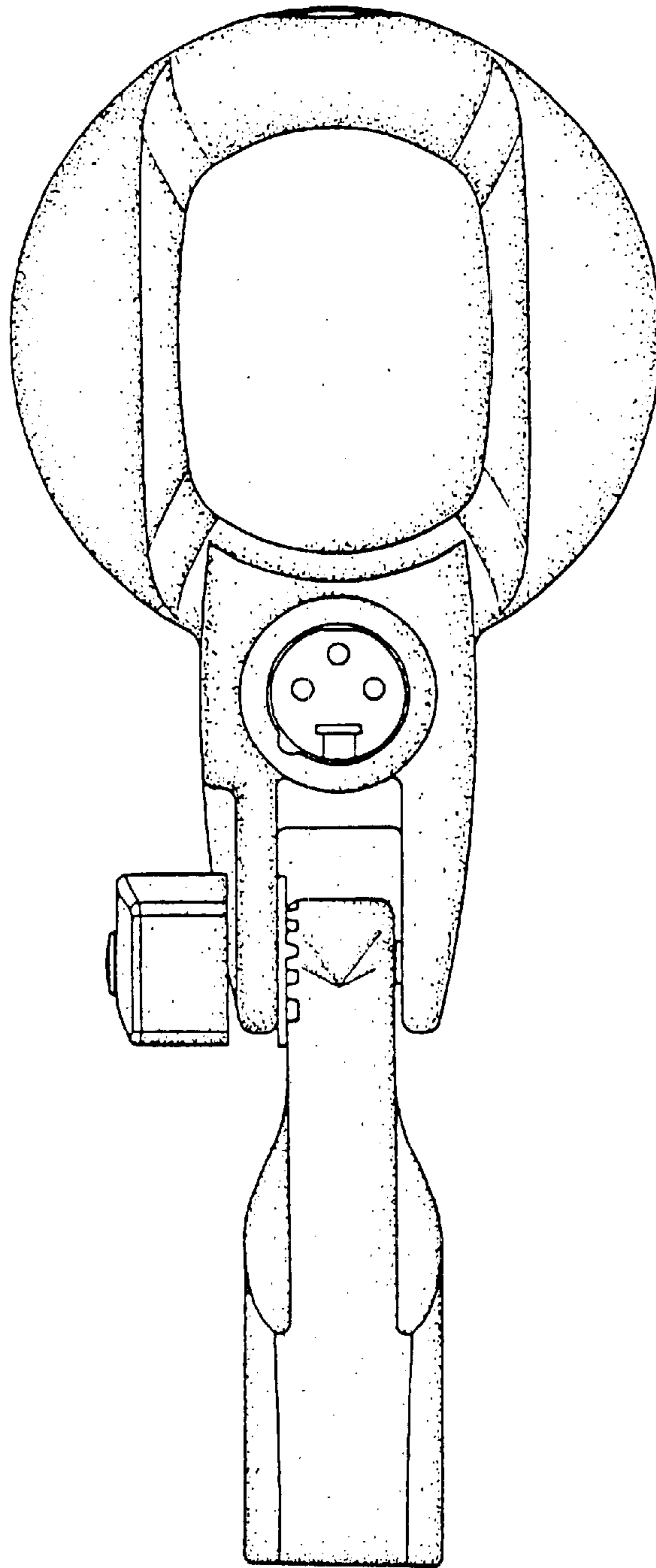


Fig. 3

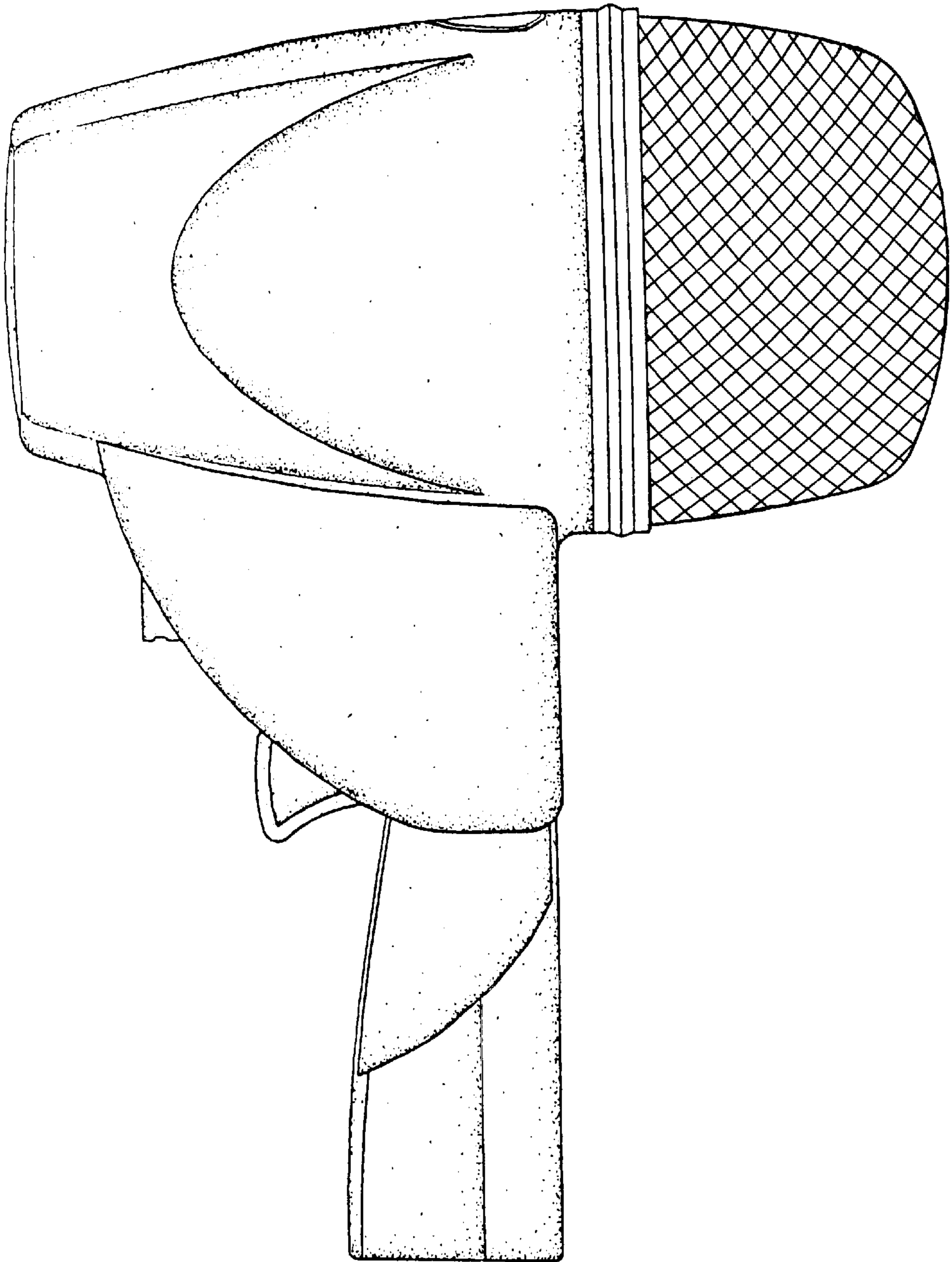


Fig. 4

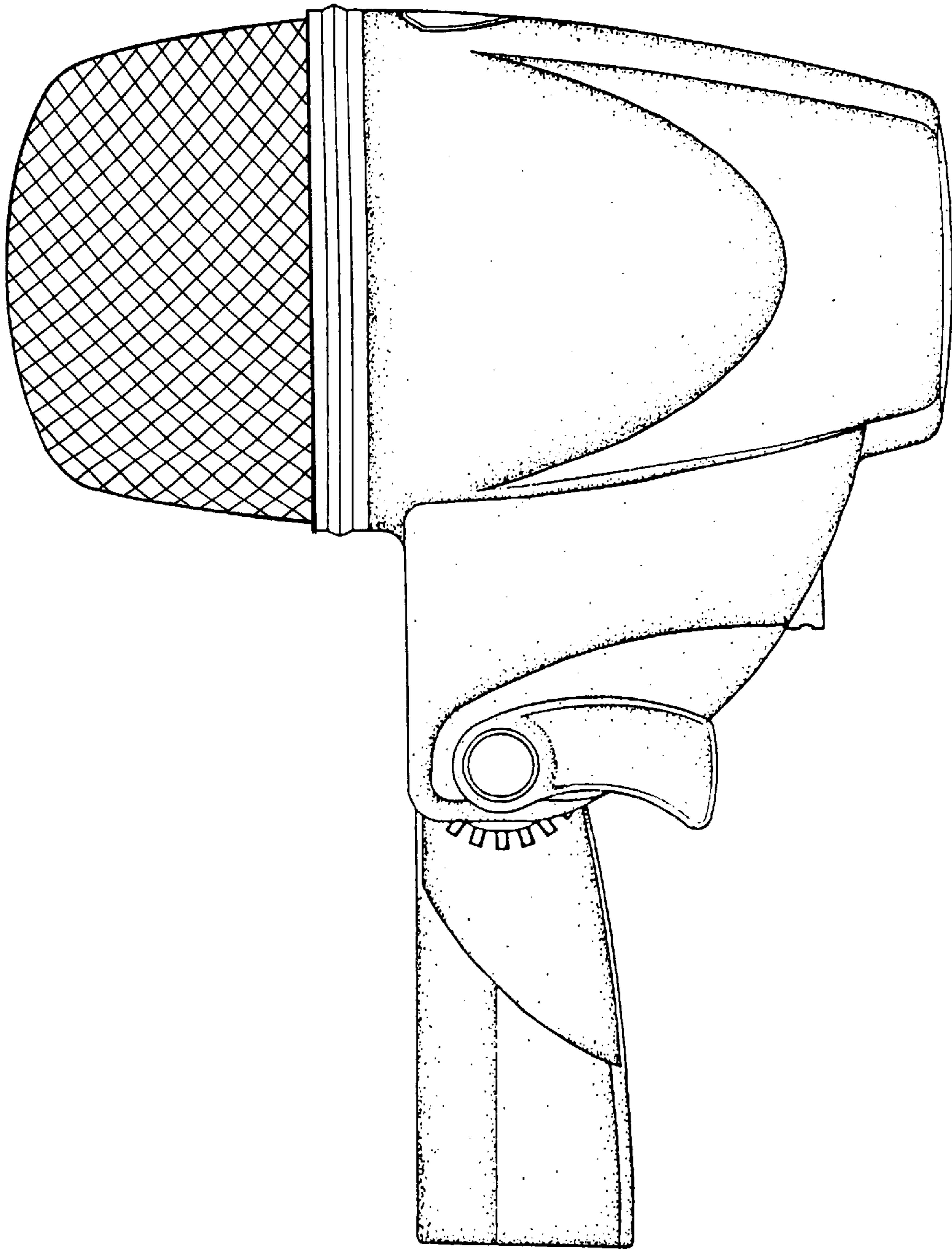


Fig. 5

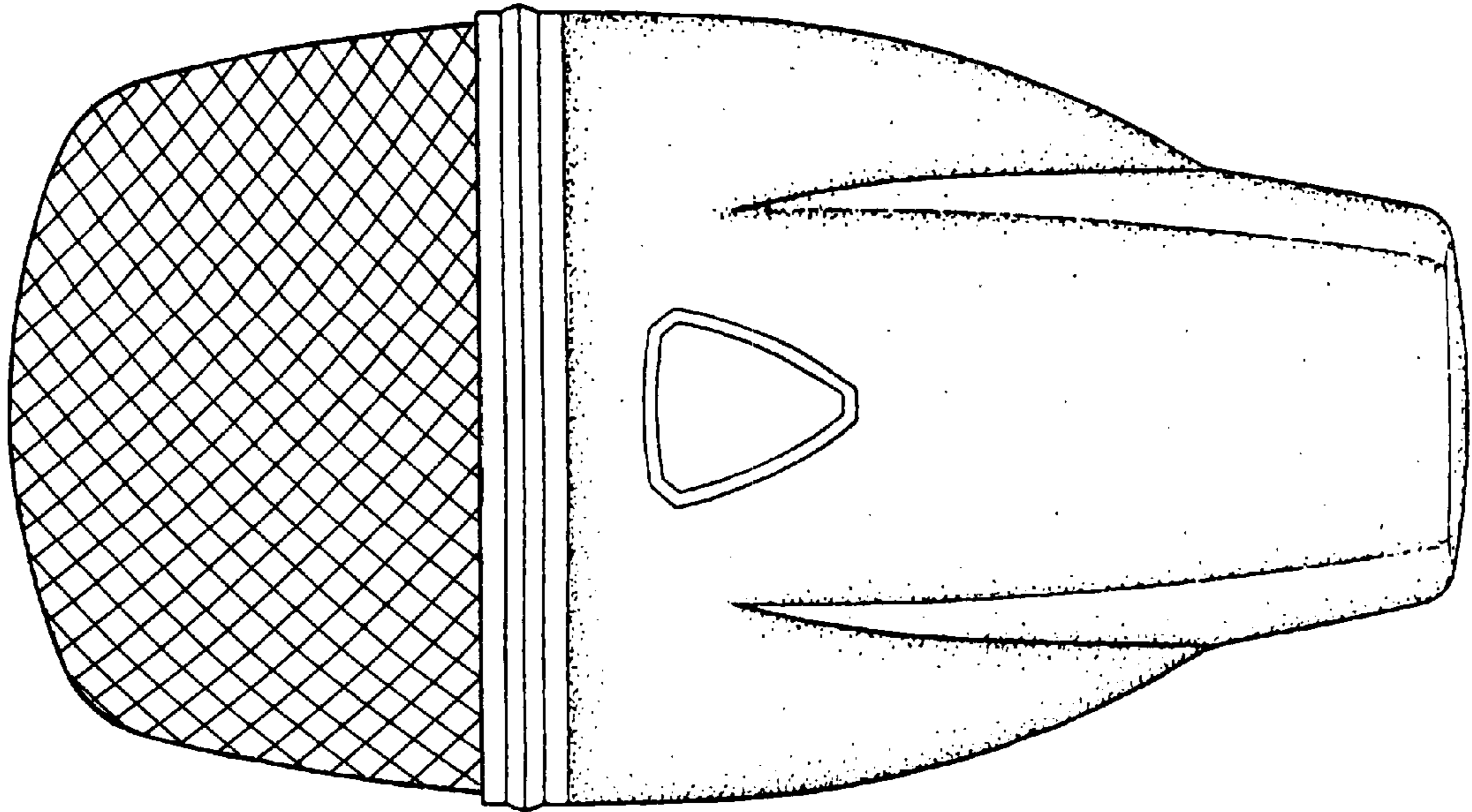


Fig. 6

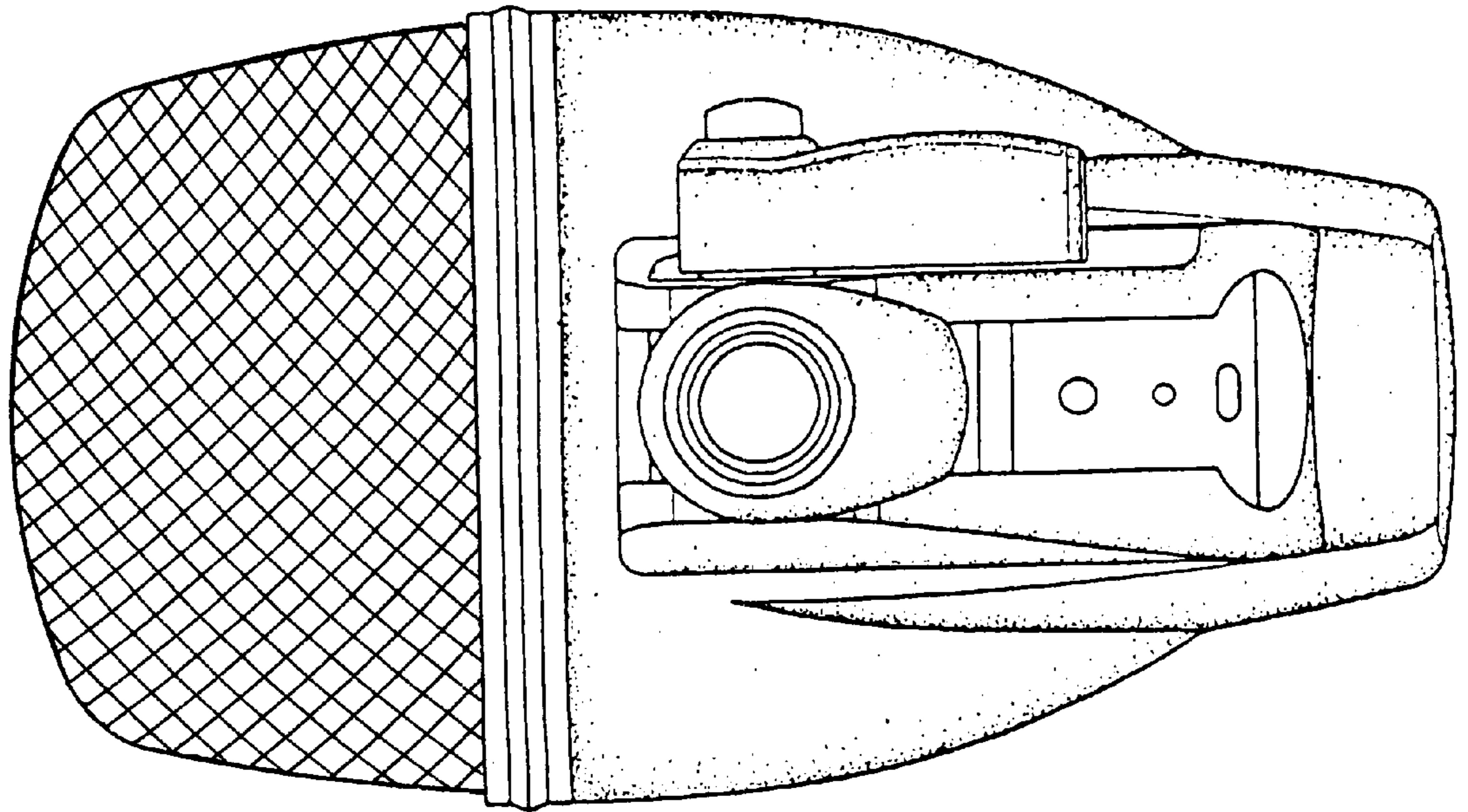


Fig. 7