



US00D457875S

(12) **United States Design Patent**
Joe

(10) **Patent No.:** **US D457,875 S**

(45) **Date of Patent:** **** May 28, 2002**

(54) **SPEAKER**

D415,764 S * 10/1999 Azima et al. D14/214

D416,259 S * 11/1999 Hoyt et al. D14/214

(75) Inventor: **Sung Gu Joe**, Seoul (KR)

* cited by examiner

(73) Assignee: **LG Electronics Inc.**, Seoul (KR)

Primary Examiner—Nanda Bondade

(**) Term: **14 Years**

(74) *Attorney, Agent, or Firm*—Birch, Stewart, Kolasch & Birch, LLP

(21) Appl. No.: **29/139,573**

(57) **CLAIM**

(22) Filed: **Apr. 3, 2001**

The ornamental design for a speaker, as shown and described.

(30) **Foreign Application Priority Data**

Oct. 6, 2000 (KR) 00-25481

DESCRIPTION

(51) **LOC (7) Cl.** **14-01**

FIG. 1 is a perspective view of the speaker showing the new design;

(52) **U.S. Cl.** **D14/211; D14/214**

FIG. 2 is a front elevational view thereof;

(58) **Field of Search** D14/204, 210–215;
181/144–145, 147–148, 198–199; 381/300–302,
307, 332–336, 386

FIG. 3 is a rear elevational view thereof;

FIG. 4 is a left side elevational view thereof, wherein the right side is a mirror image;

(56) **References Cited**

U.S. PATENT DOCUMENTS

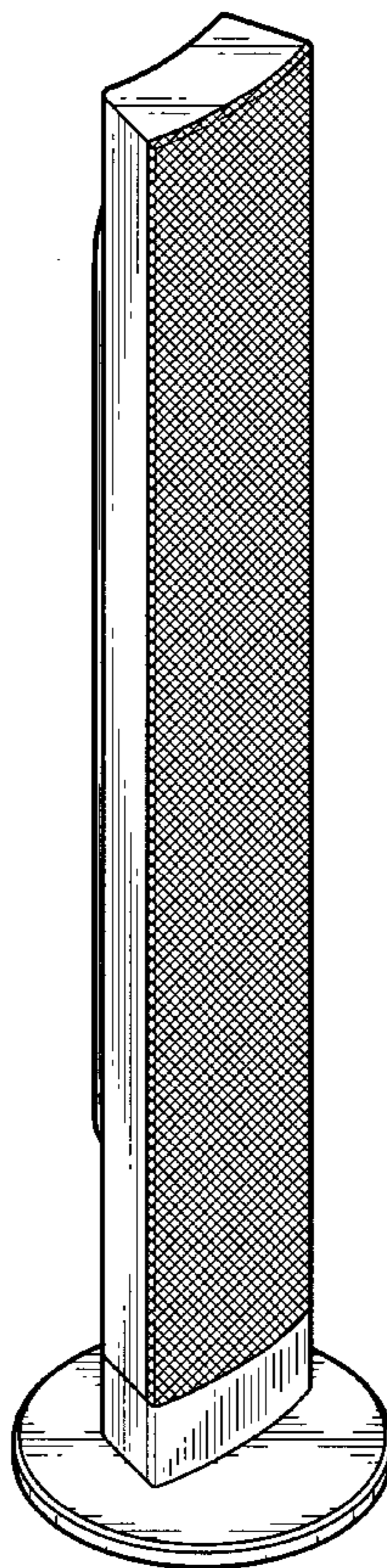
- D261,883 S * 11/1981 Russel et al. D14/214
- D319,242 S * 8/1991 Furuno D14/204
- D342,255 S * 12/1993 Ito et al. D14/211 X
- D342,521 S * 12/1993 Sugihara et al. D14/204
- 5,639,996 A * 6/1997 Tan 181/199

FIG. 5 is a top plan view thereof;

FIG. 6 is a bottom plan view thereof; and,

FIG. 7 is a perspective view of the speaker, the broken line showing of the television set and the second speaker is for illustrative purposes only and forms no part of the claimed design.

1 Claim, 6 Drawing Sheets



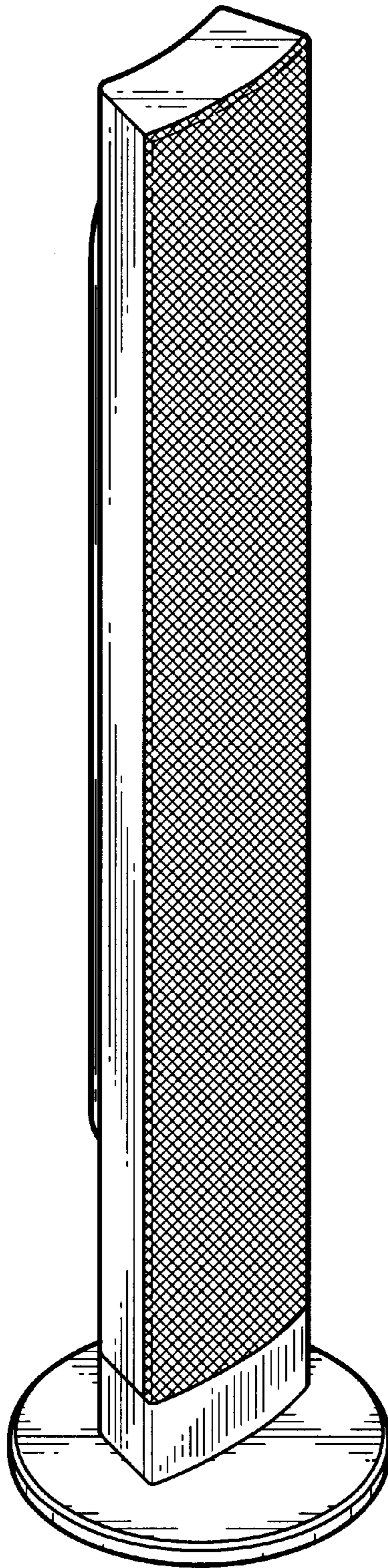


FIG. 1

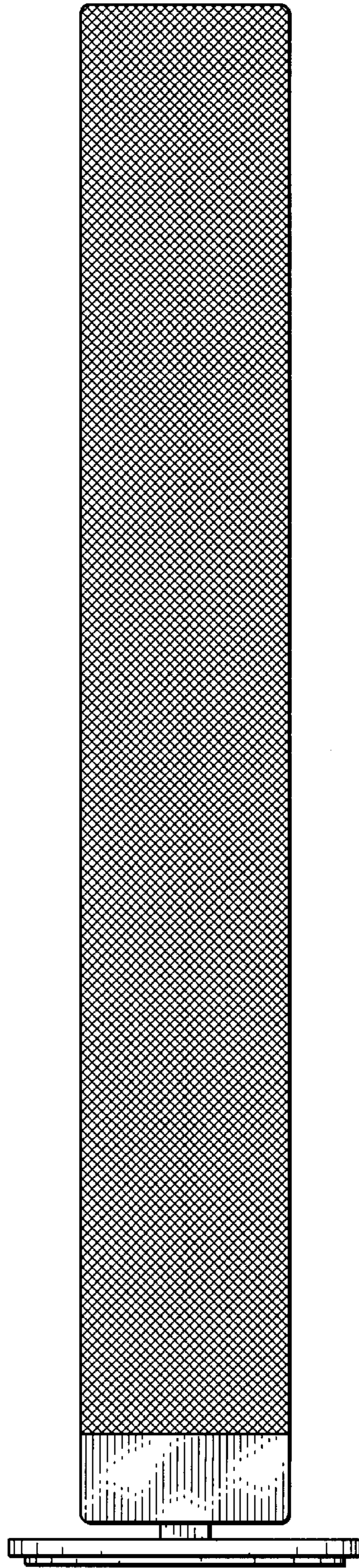


FIG.2

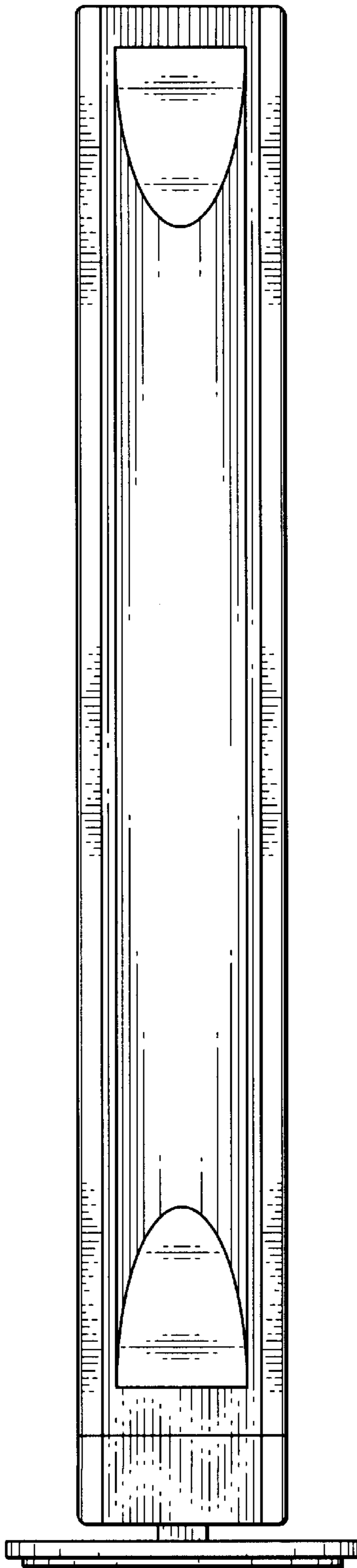


FIG.3

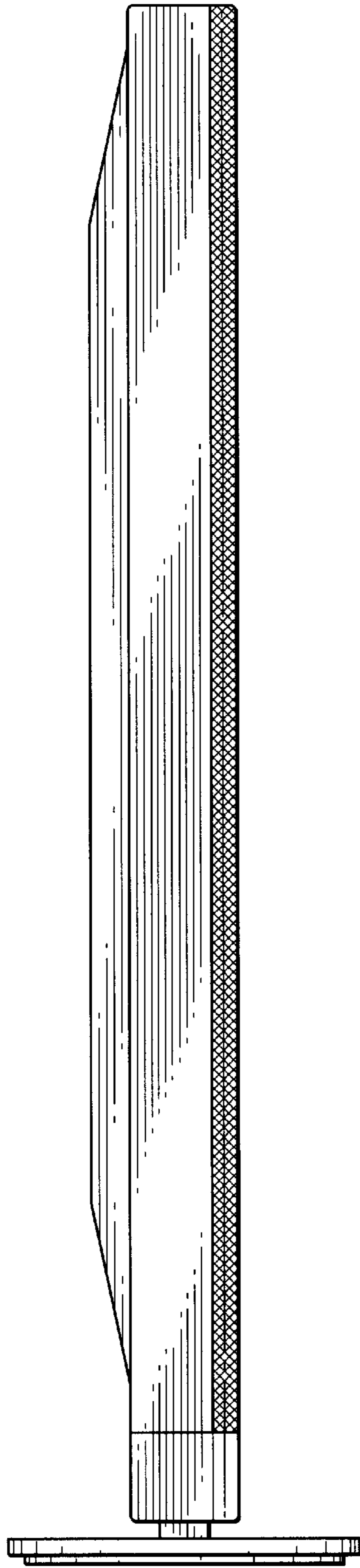


FIG.4

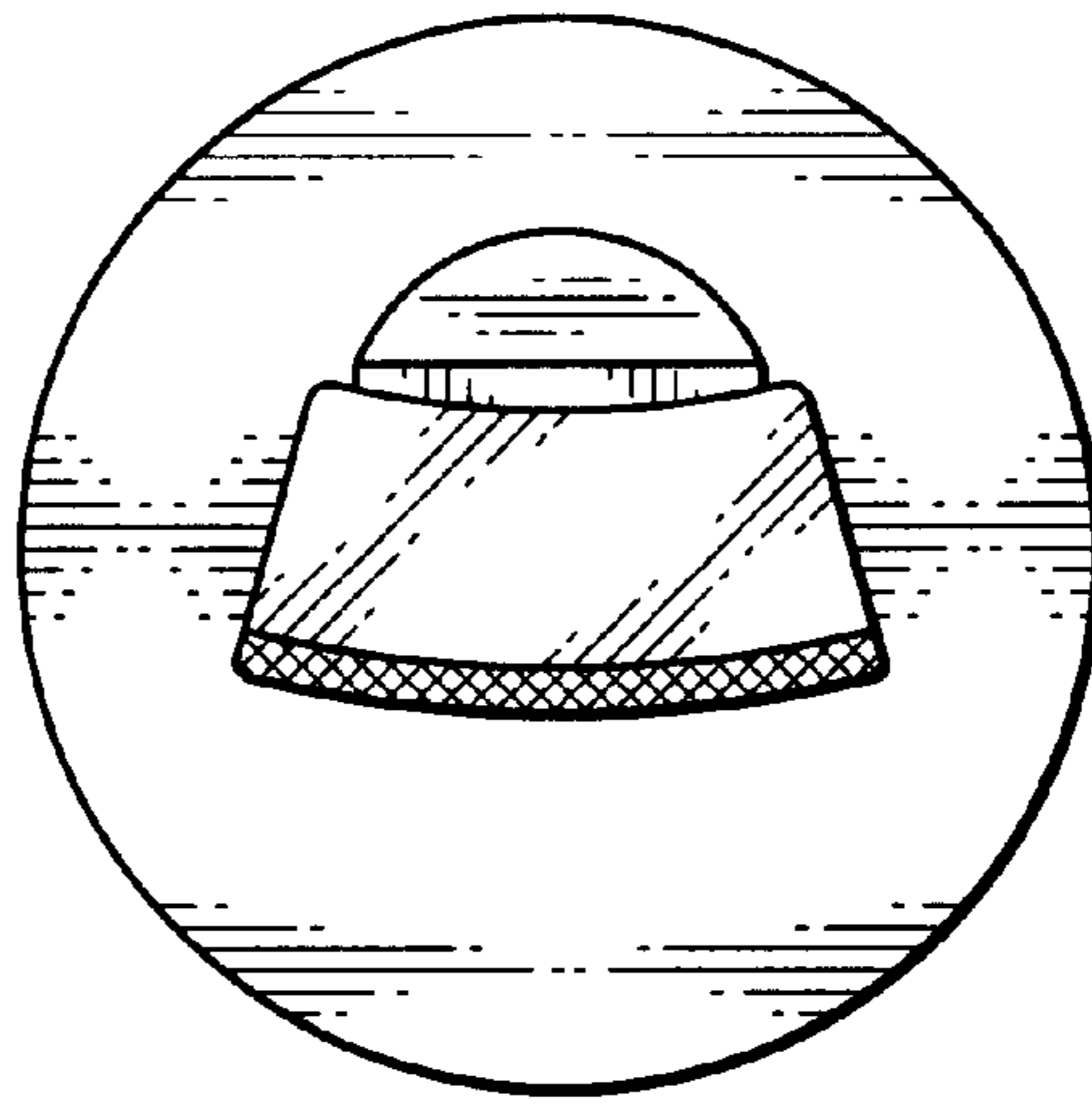


FIG. 5

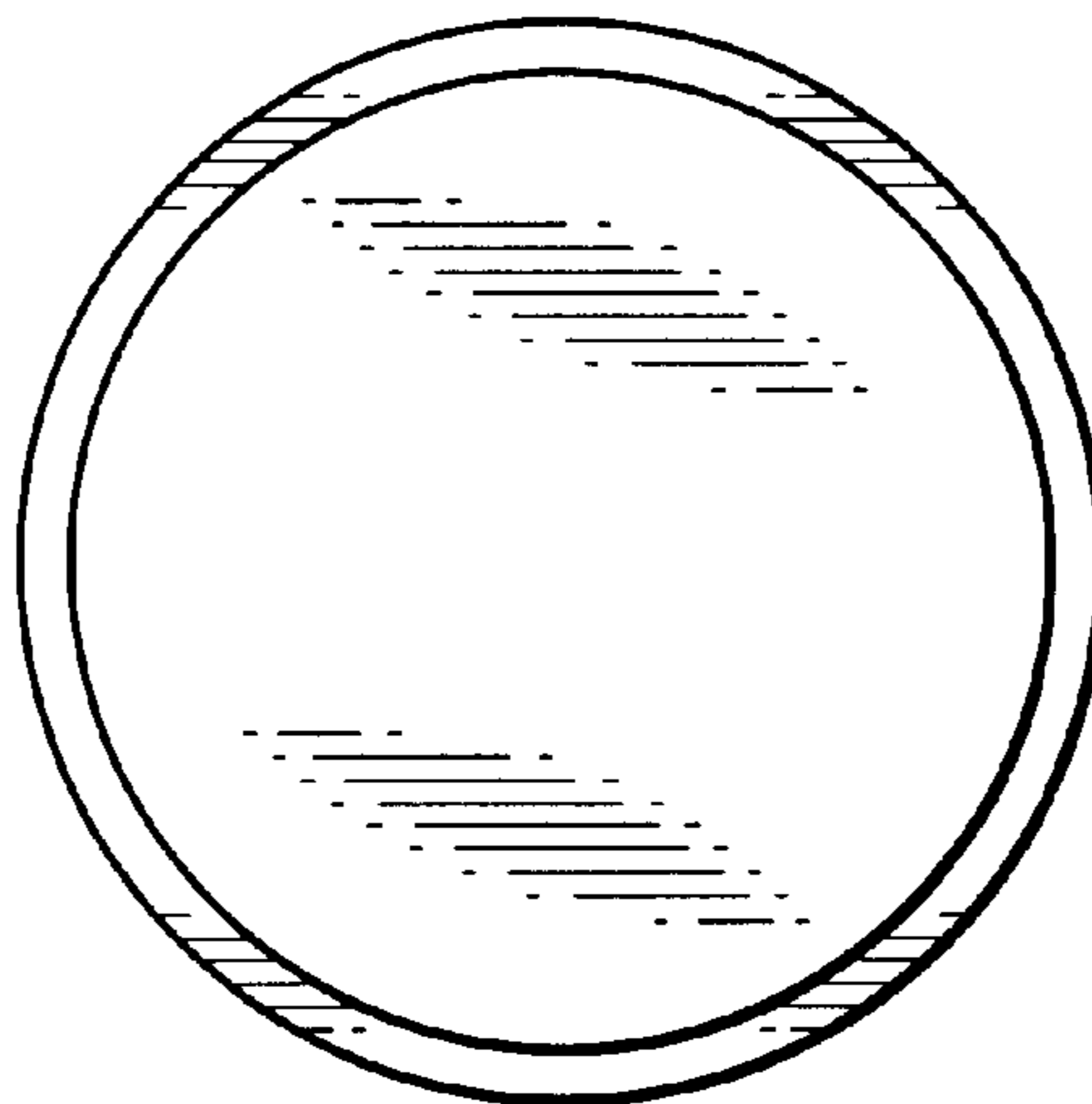


FIG. 6

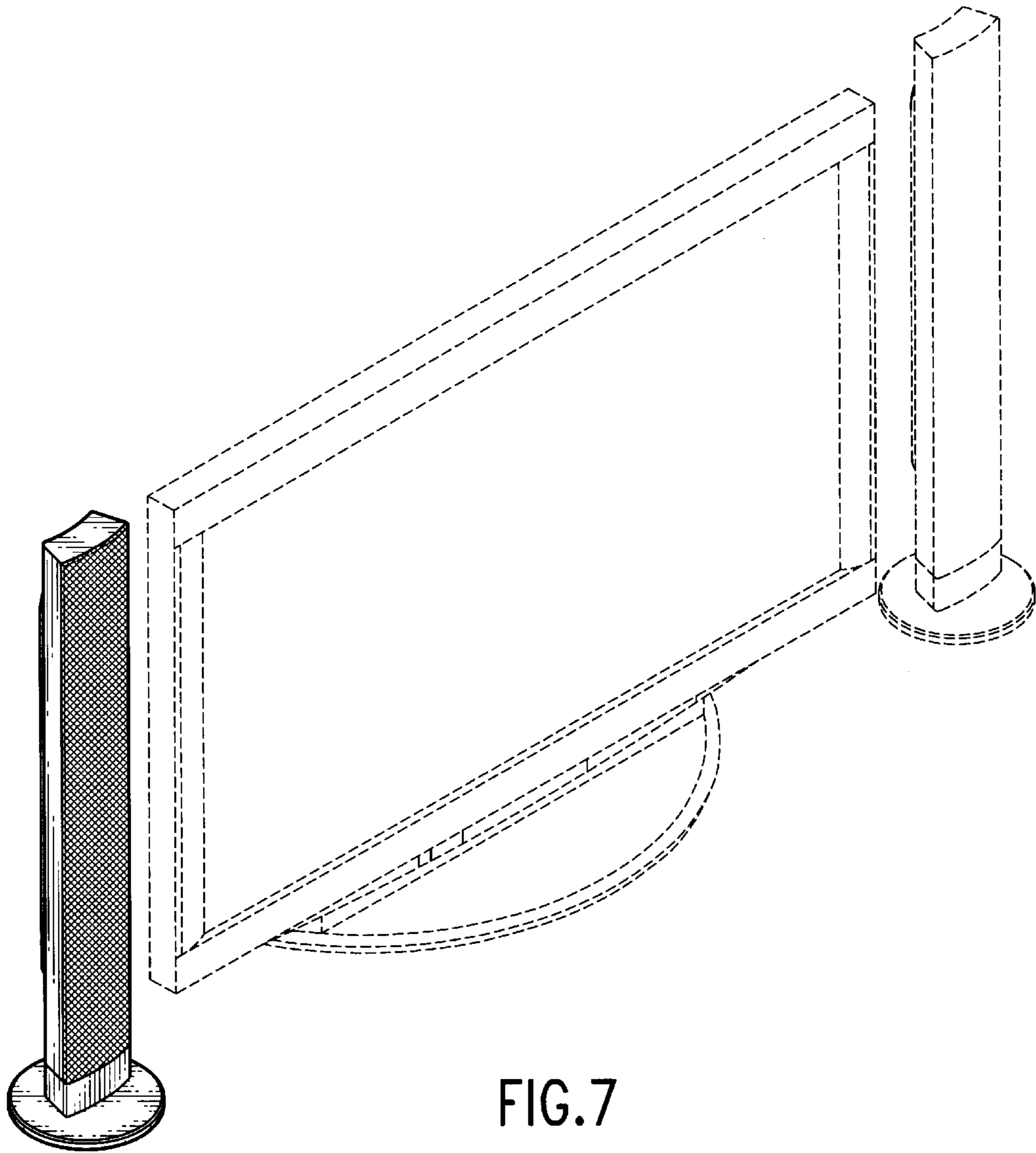


FIG. 7