



US00D457867S

(12) **United States Design Patent**
Rath

(10) **Patent No.:** **US D457,867 S**

(45) **Date of Patent:** **** May 28, 2002**

(54) **TELEPHONE HEADSET AMPLIFIER**

(75) **Inventor:** **Klaus Rath, Gentofte (DK)**

(73) **Assignee:** **GN Netcom, Inc., Nashua, NH (US)**

(**) **Term:** **14 Years**

(21) **Appl. No.:** **29/129,023**

(22) **Filed:** **Sep. 5, 2000**

(51) **LOC (7) Cl.** **14-03**

(52) **U.S. Cl.** **D14/149; D14/243**

(58) **Field of Search** D14/137, 217,
D14/138, 218, 147-148, 247-248, 144,
188, 140-142, 149-151, 243, 356, 230,
251-253, 155, 159, 168, 240, 205, 206,
223; 379/433.01-433.13, 419, 434, 428.01-428.04,
420.01-420.04, 440-442, 430; 455/550-575,
90

(56) **References Cited**

U.S. PATENT DOCUMENTS

| | | | | | |
|-------------|---|---------|-----------------|-------|---------|
| D272,443 S | * | 1/1984 | Wong et al. | | D14/155 |
| 4,754,484 A | * | 6/1988 | Larkin et al. | | 379/430 |
| 5,058,155 A | * | 10/1991 | Larsen | | 379/442 |
| 5,099,514 A | * | 3/1992 | Acree | | 379/441 |
| D327,068 S | * | 6/1992 | Hampf et al. | | D14/217 |
| D372,480 S | * | 8/1996 | Bungardt | | D14/247 |
| 5,608,797 A | * | 3/1997 | Larsen et al. | | 379/442 |
| D390,553 S | * | 2/1998 | Beaumont et al. | | D14/137 |
| D394,654 S | * | 5/1998 | Copeland et al. | | D14/149 |
| D405,093 S | * | 2/1999 | Sawhney et al. | | D14/240 |

| | | | | | |
|-------------|---|---------|----------------|-------|---------|
| D412,904 S | * | 8/1999 | Sawhney et al. | | D14/149 |
| D413,121 S | * | 8/1999 | Allen et al. | | D14/240 |
| D423,002 S | * | 4/2000 | Pedersen | | D14/149 |
| 6,141,418 A | | 10/2000 | Weiser et al. | | 379/454 |

* cited by examiner

Primary Examiner—Jeffrey Asch

(74) *Attorney, Agent, or Firm*—Stallman & Pollock LLP

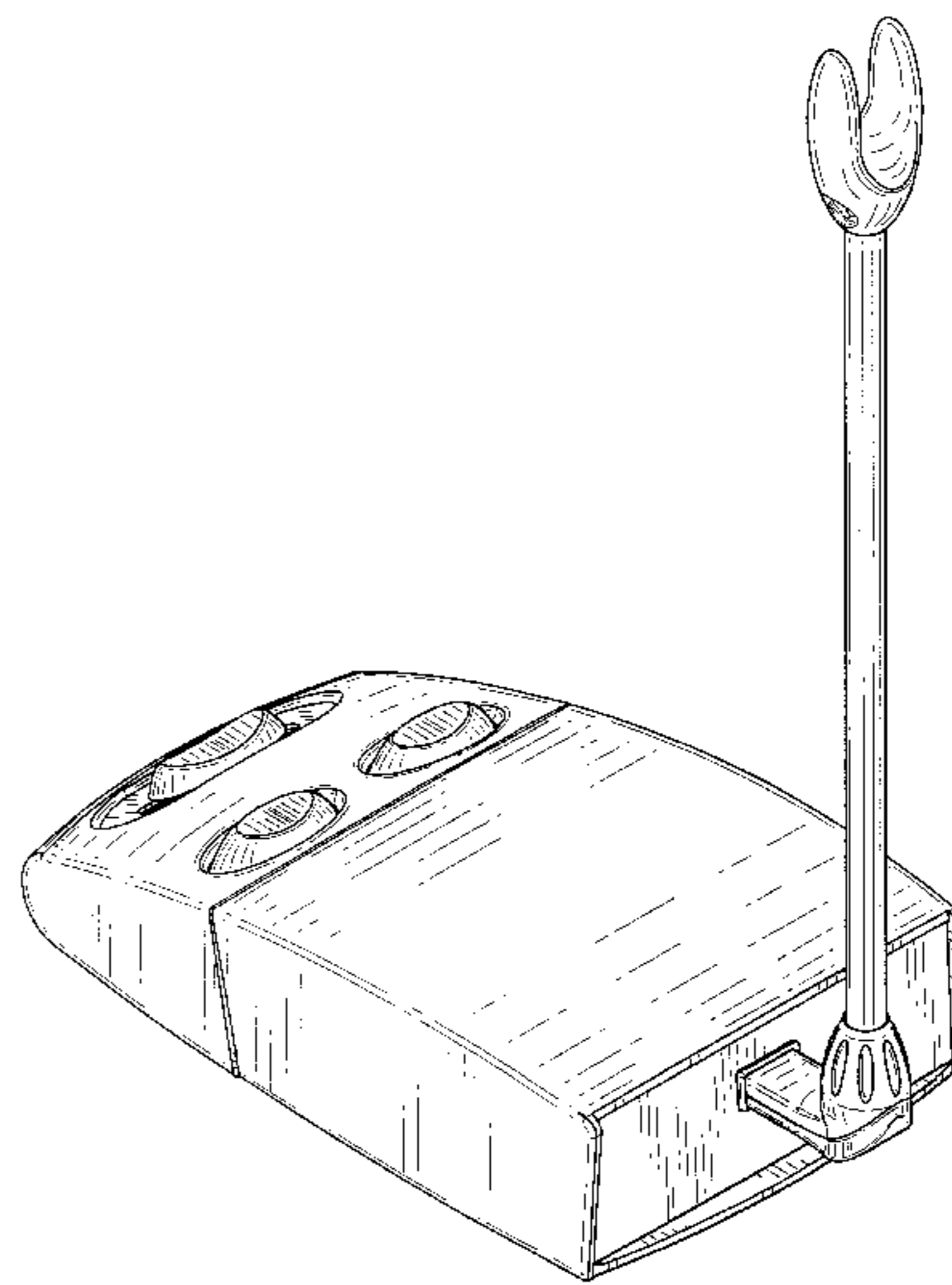
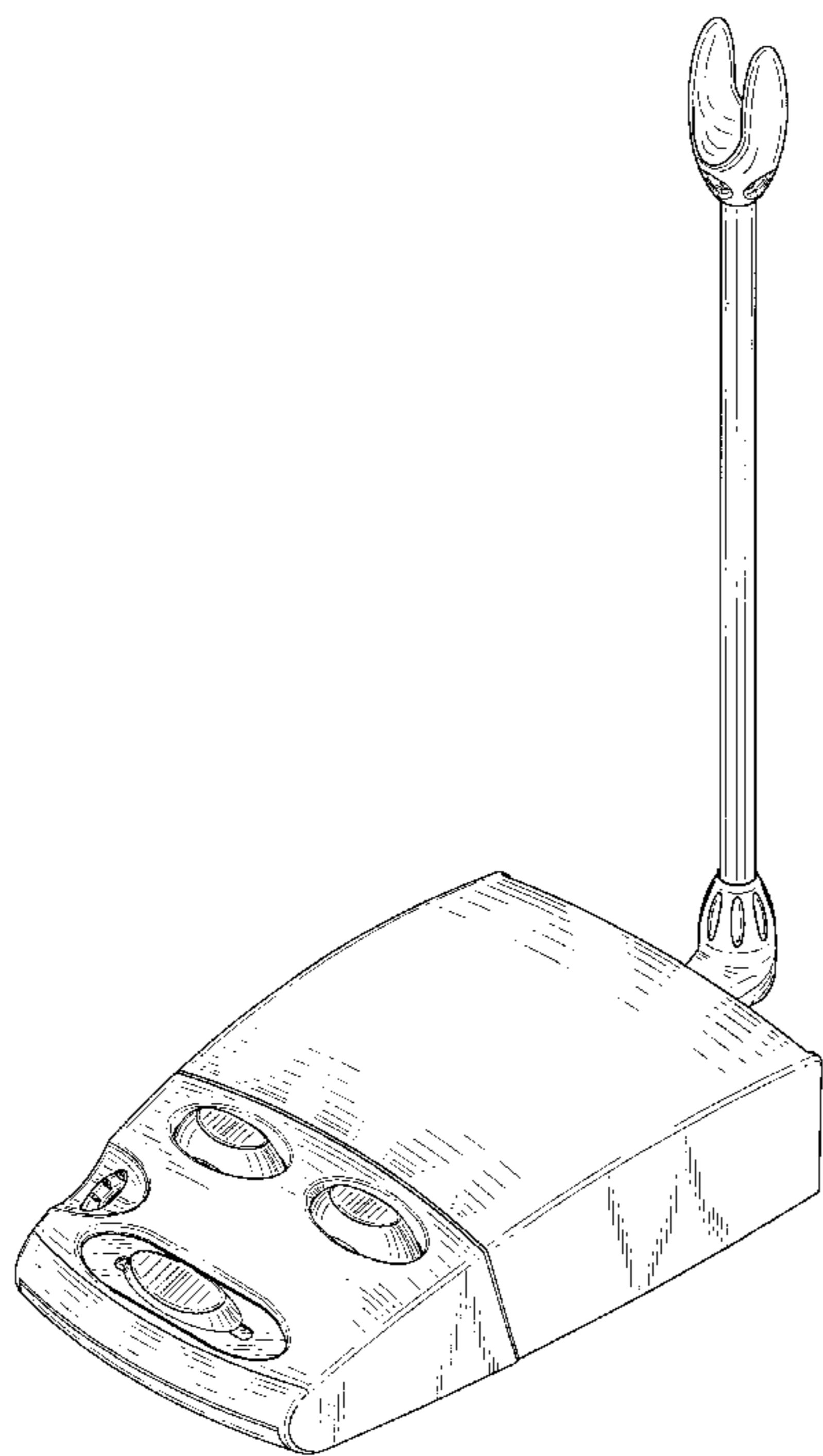
(57) **CLAIM**

The ornamental design for a telephone headset amplifier, shown and described.

DESCRIPTION

FIG. 1 is a front perspective of a first embodiment of a telephone headset amplifier showing my design; FIG. 2 is a rear perspective view thereof; FIG. 3 is a top plan elevational view thereof; FIG. 4 is a rear elevational view thereof; FIG. 5 is a front elevational view thereof; FIG. 6 is a side elevational view thereof; FIG. 7 is another side elevational view thereof; FIG. 8 is a front perspective view of a second embodiment of a telephone headset amplifier showing my design; FIG. 9 is a rear perspective view thereof; FIG. 10 is a top plan view thereof; FIG. 11 is a rear elevational view thereof; FIG. 12 is a front elevational view thereof; and, FIG. 13 is a side elevational view thereof with the other side being the same.

1 Claim, 8 Drawing Sheets



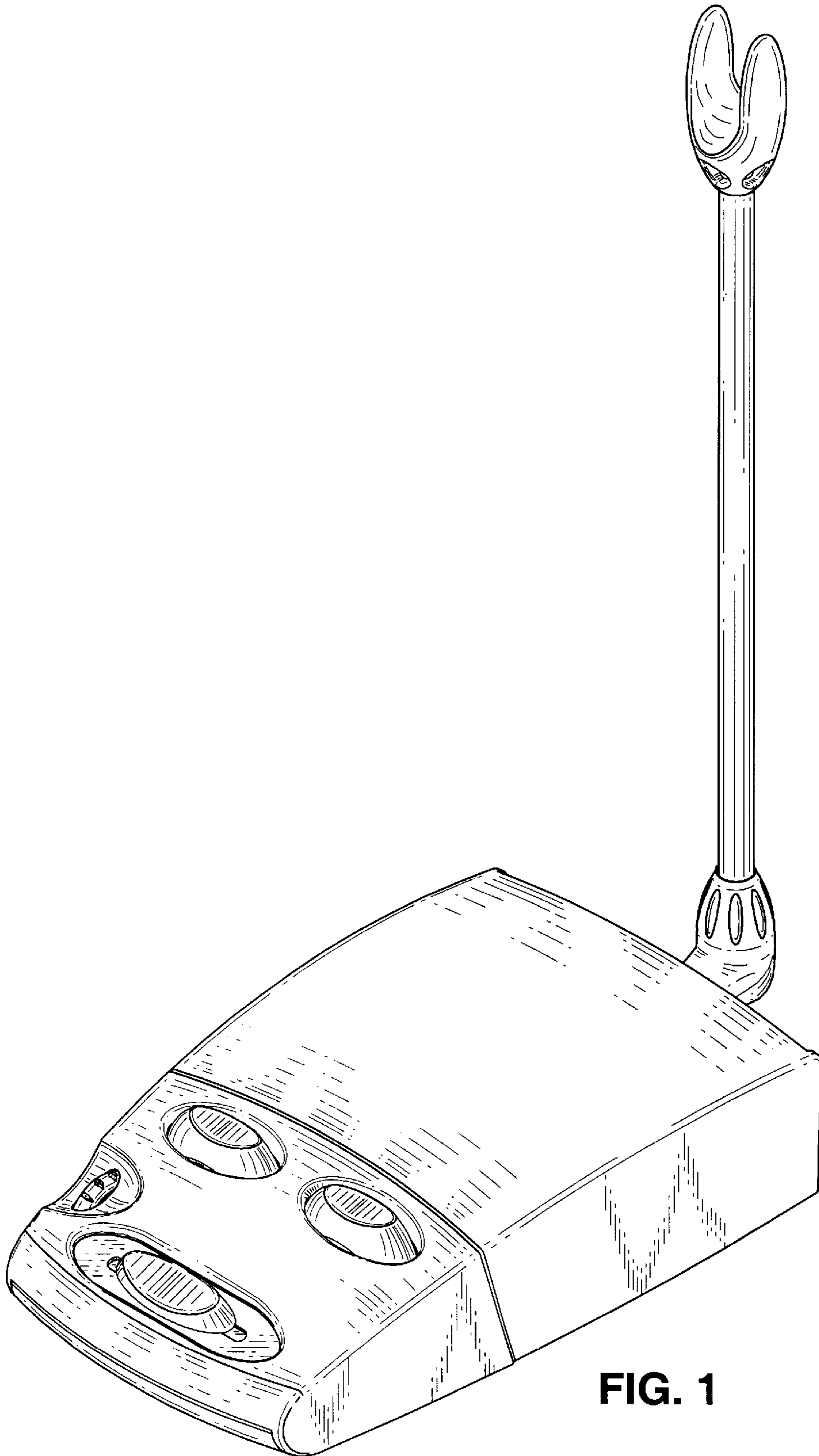


FIG. 1

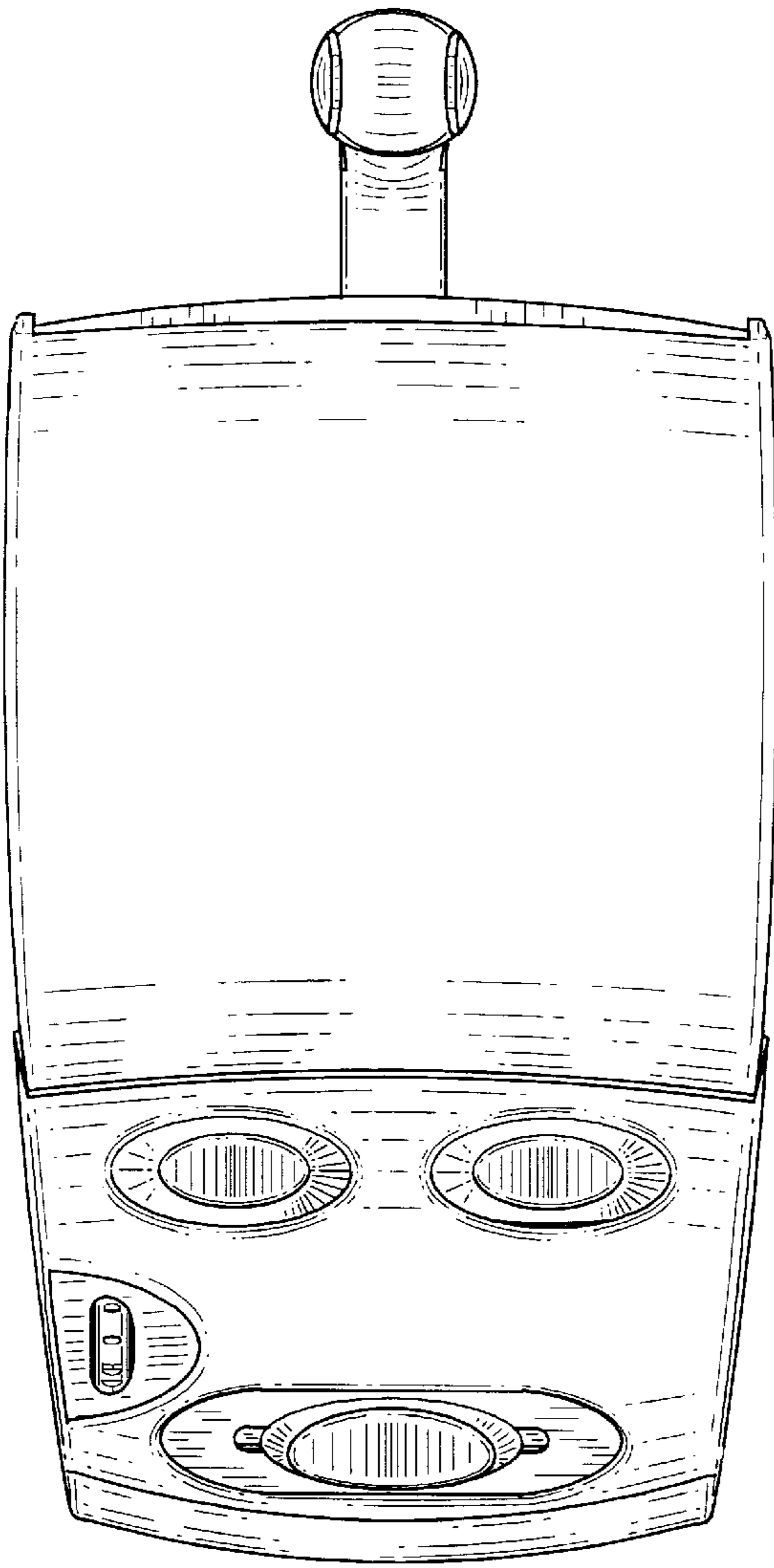


FIG. 3

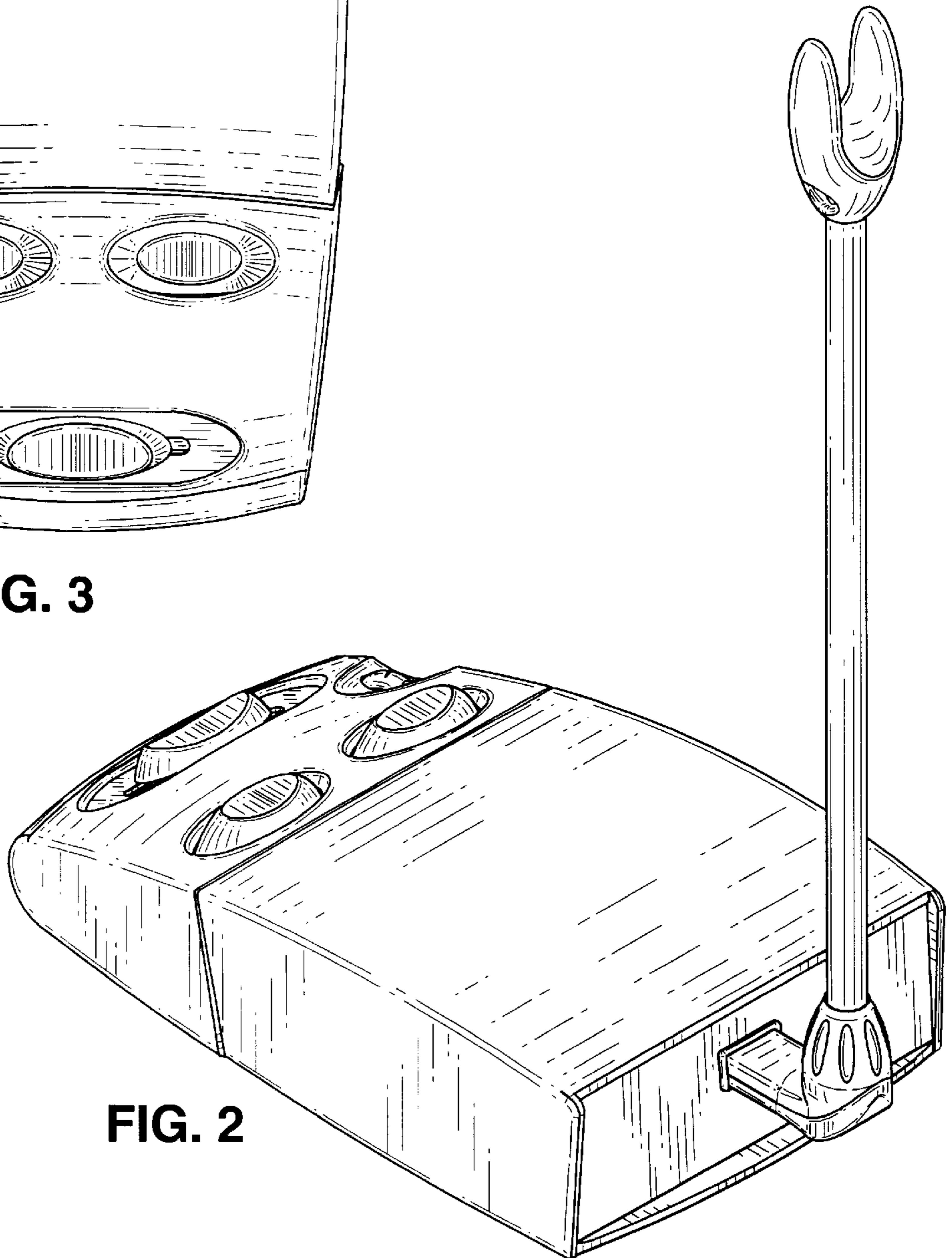


FIG. 2

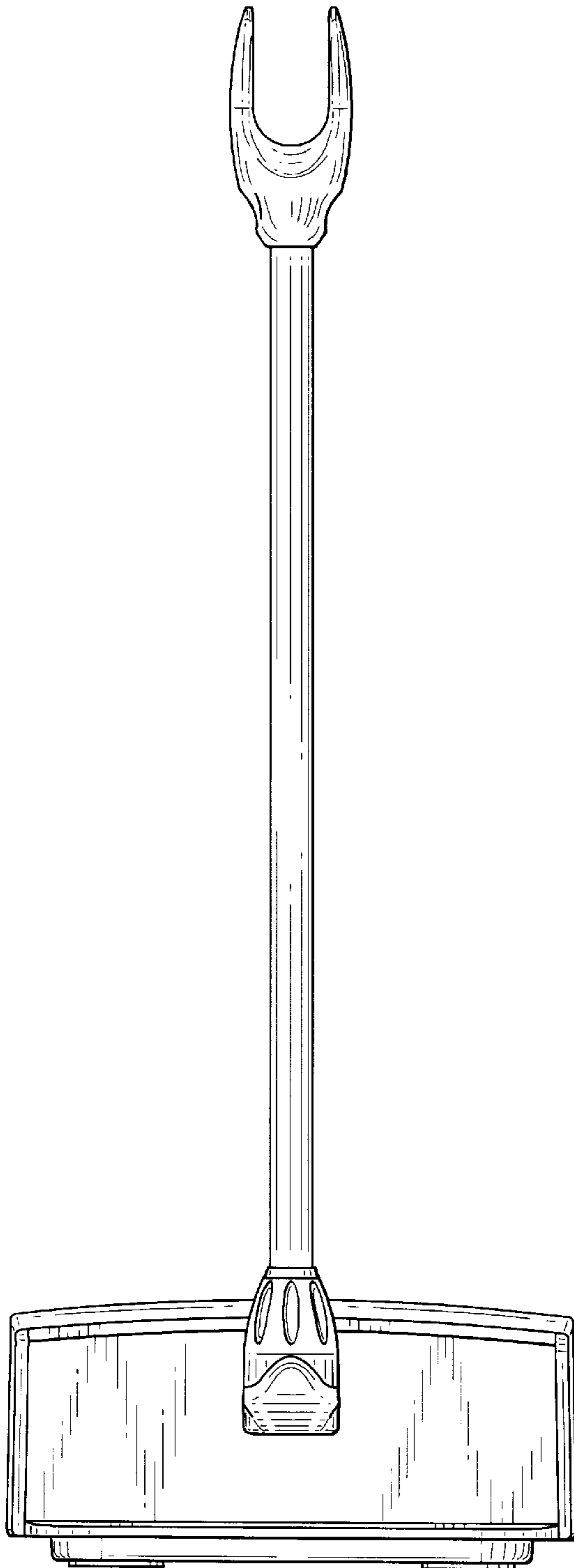


FIG. 4

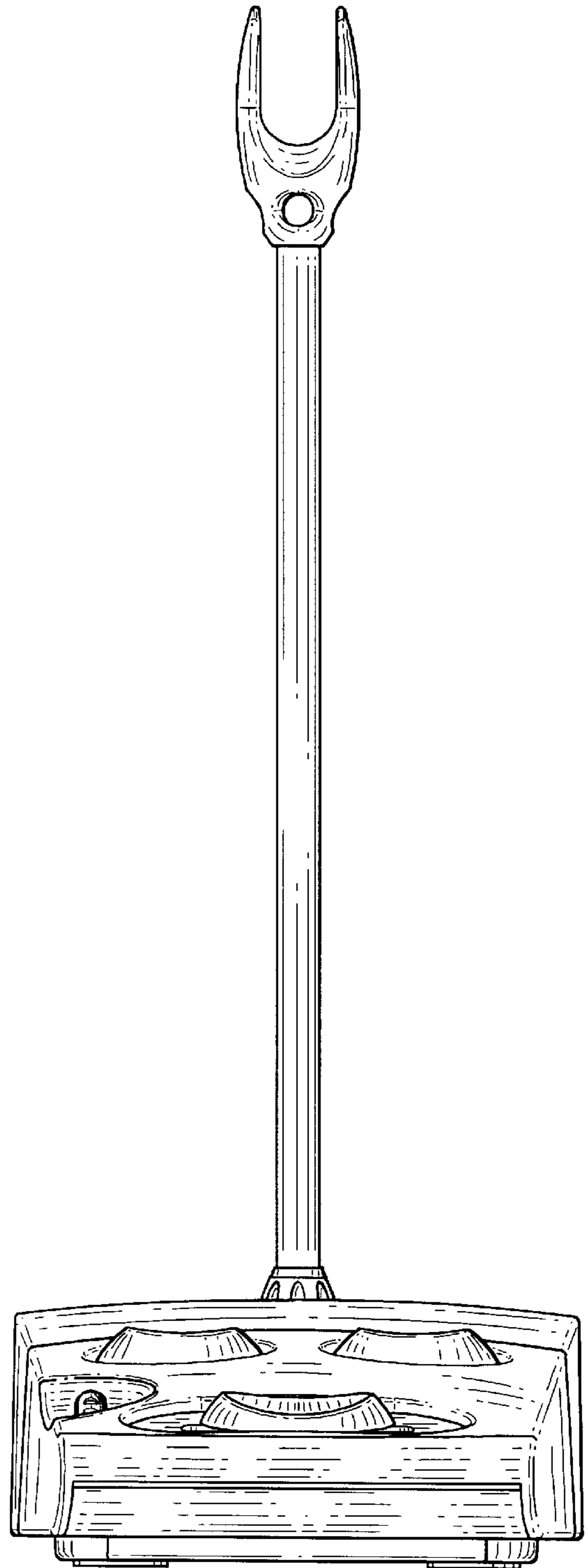


FIG. 5

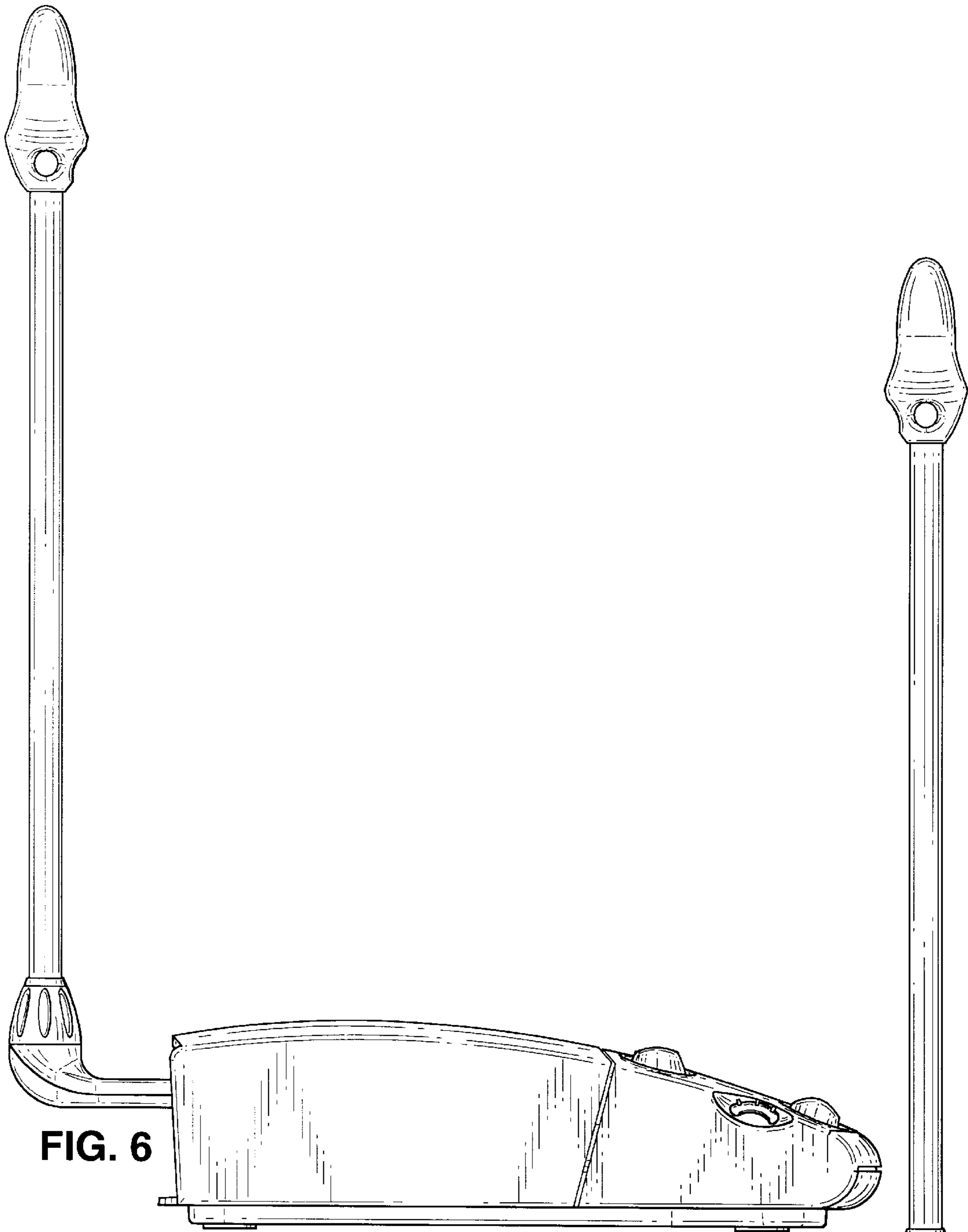


FIG. 6

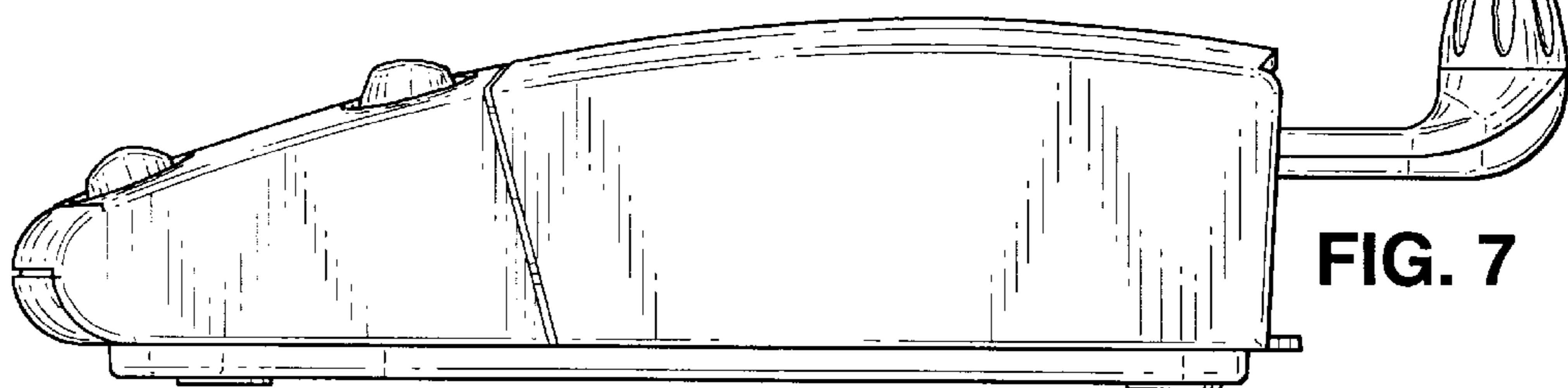


FIG. 7

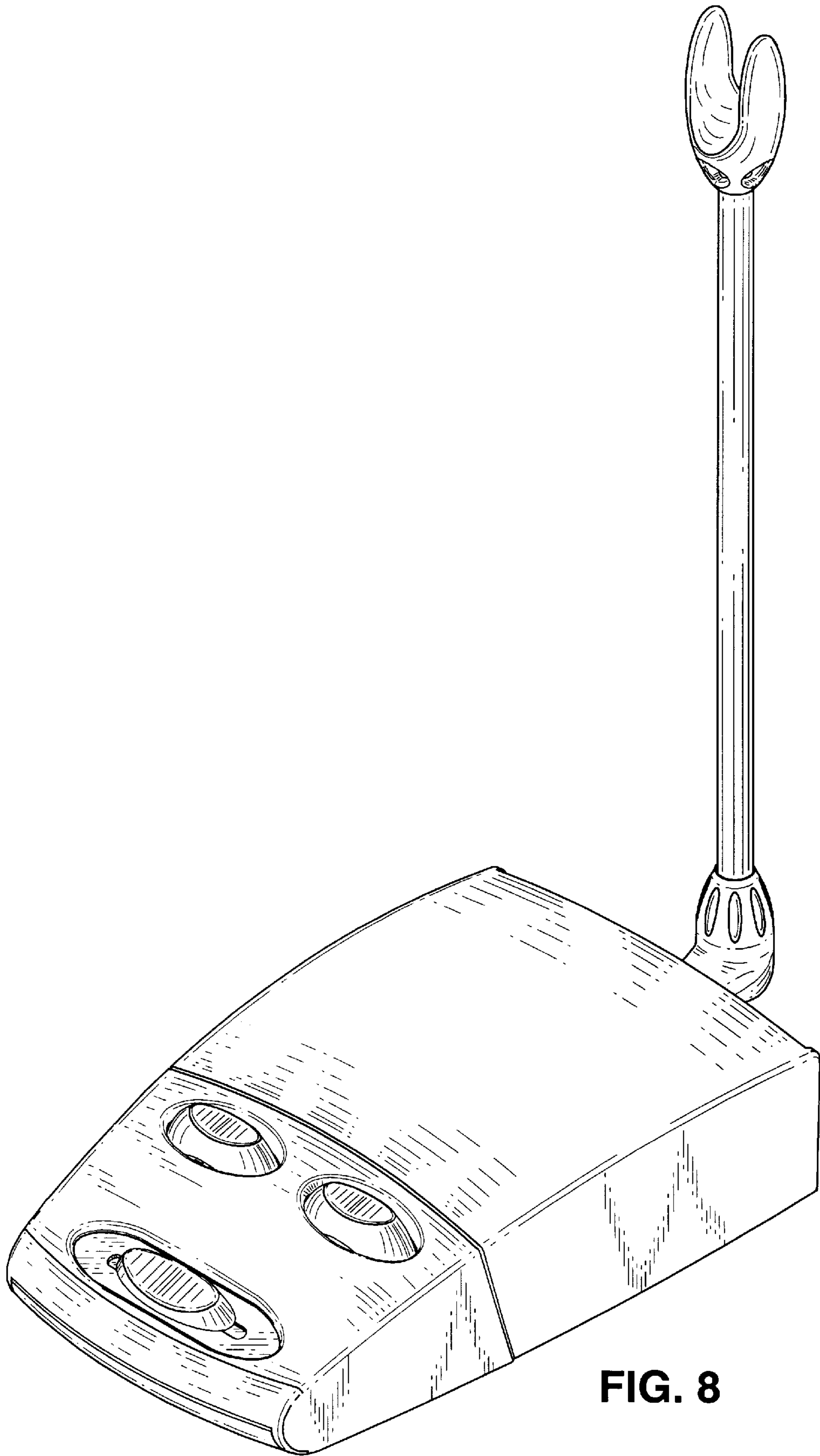


FIG. 8

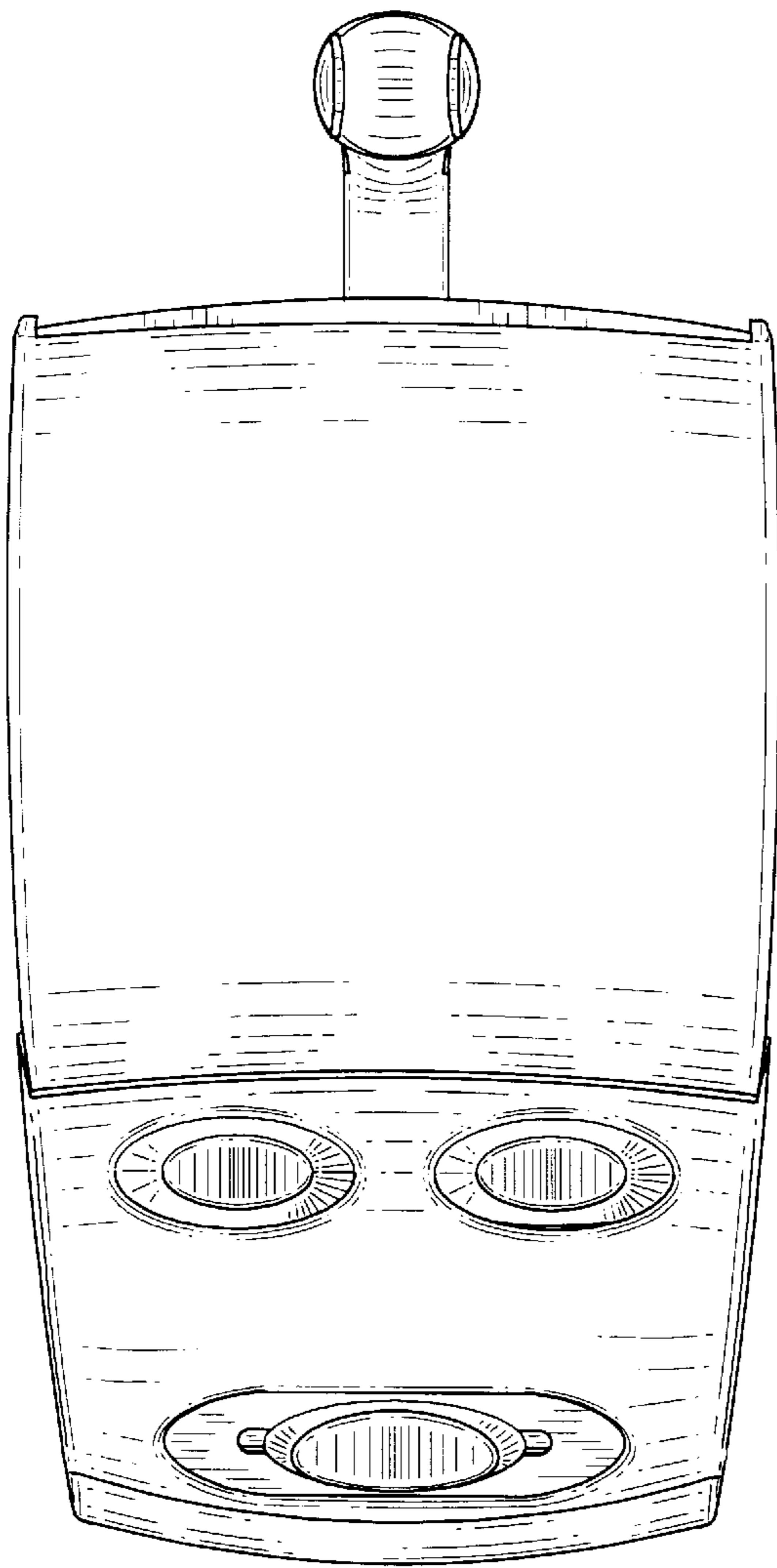


FIG. 10

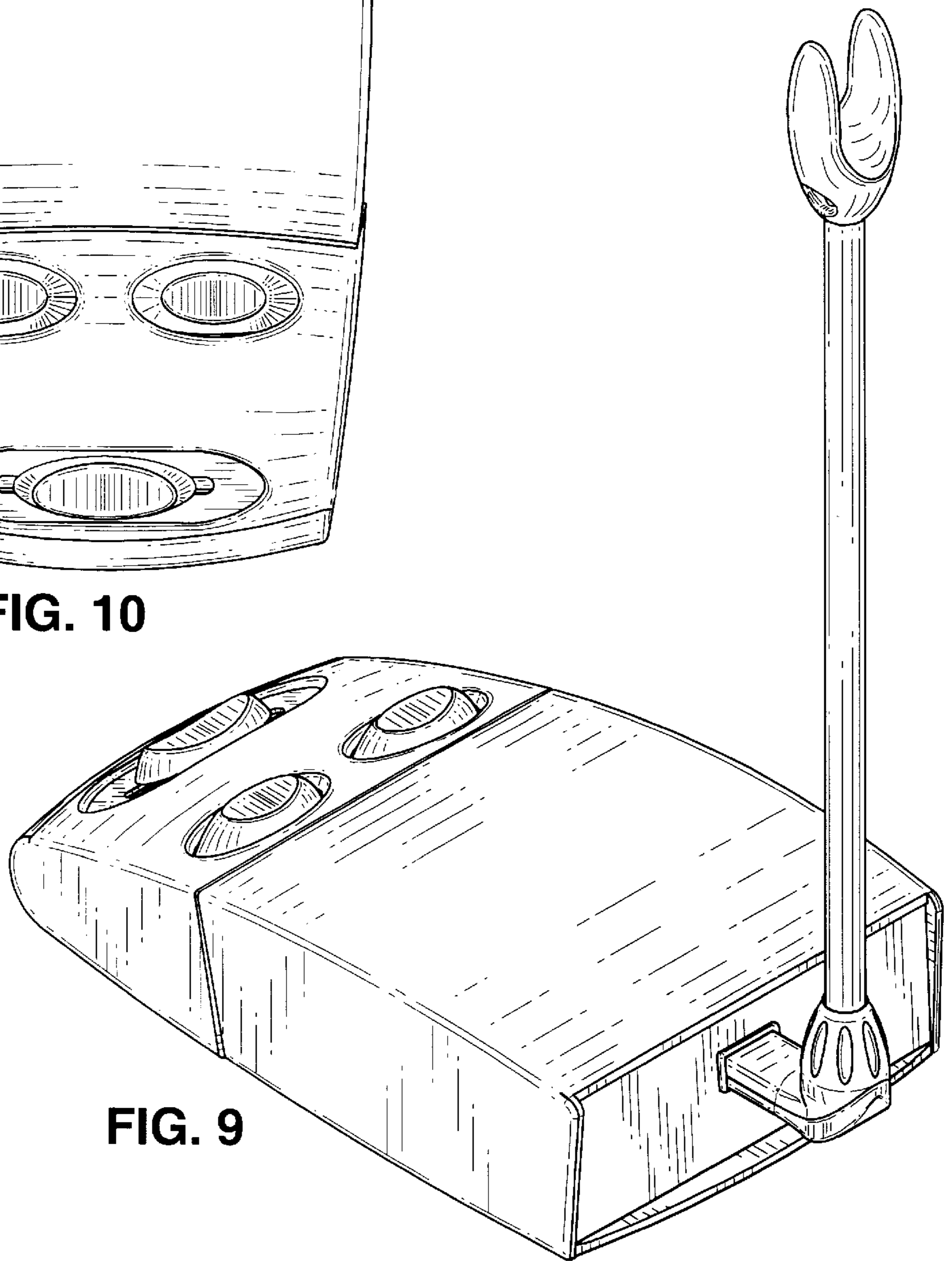


FIG. 9

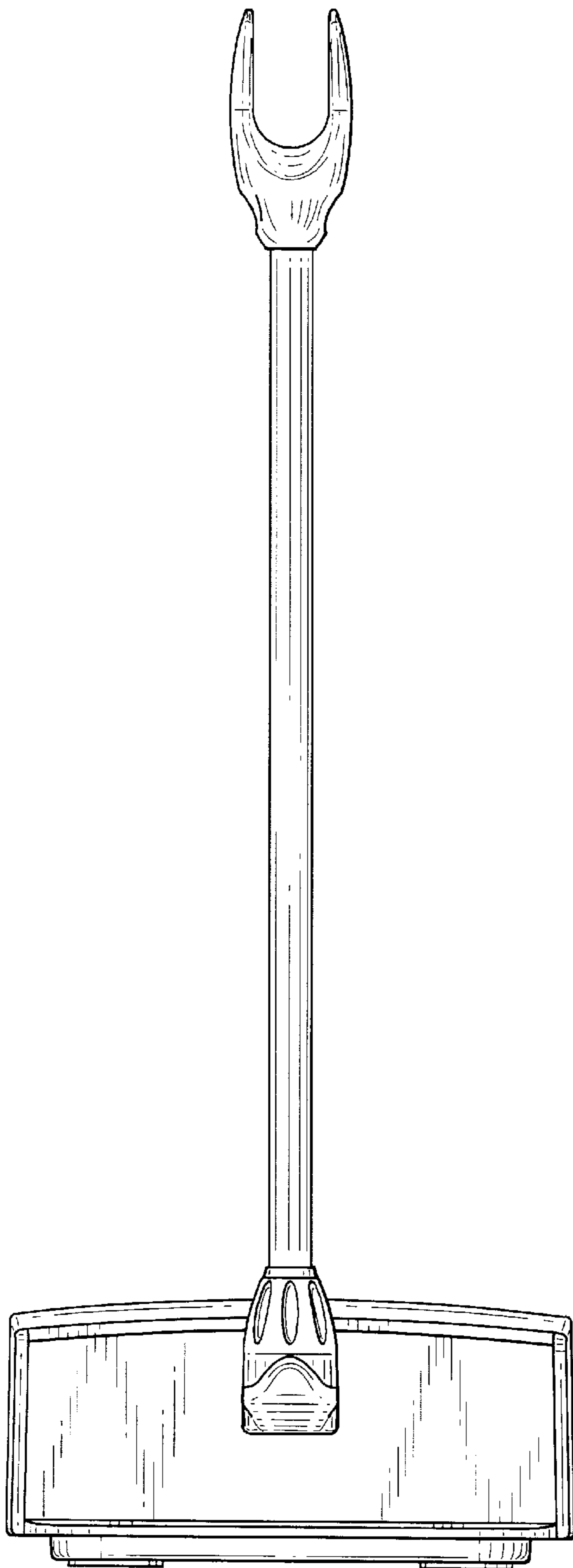


FIG. 11

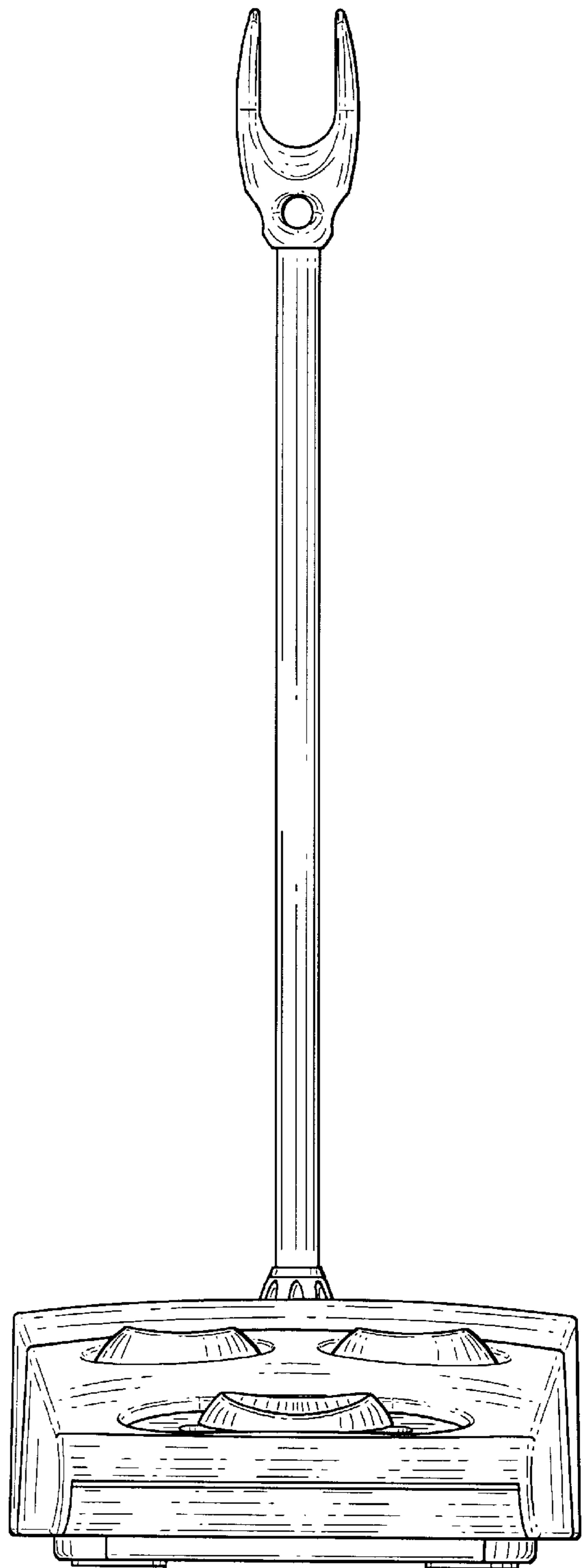


FIG. 12

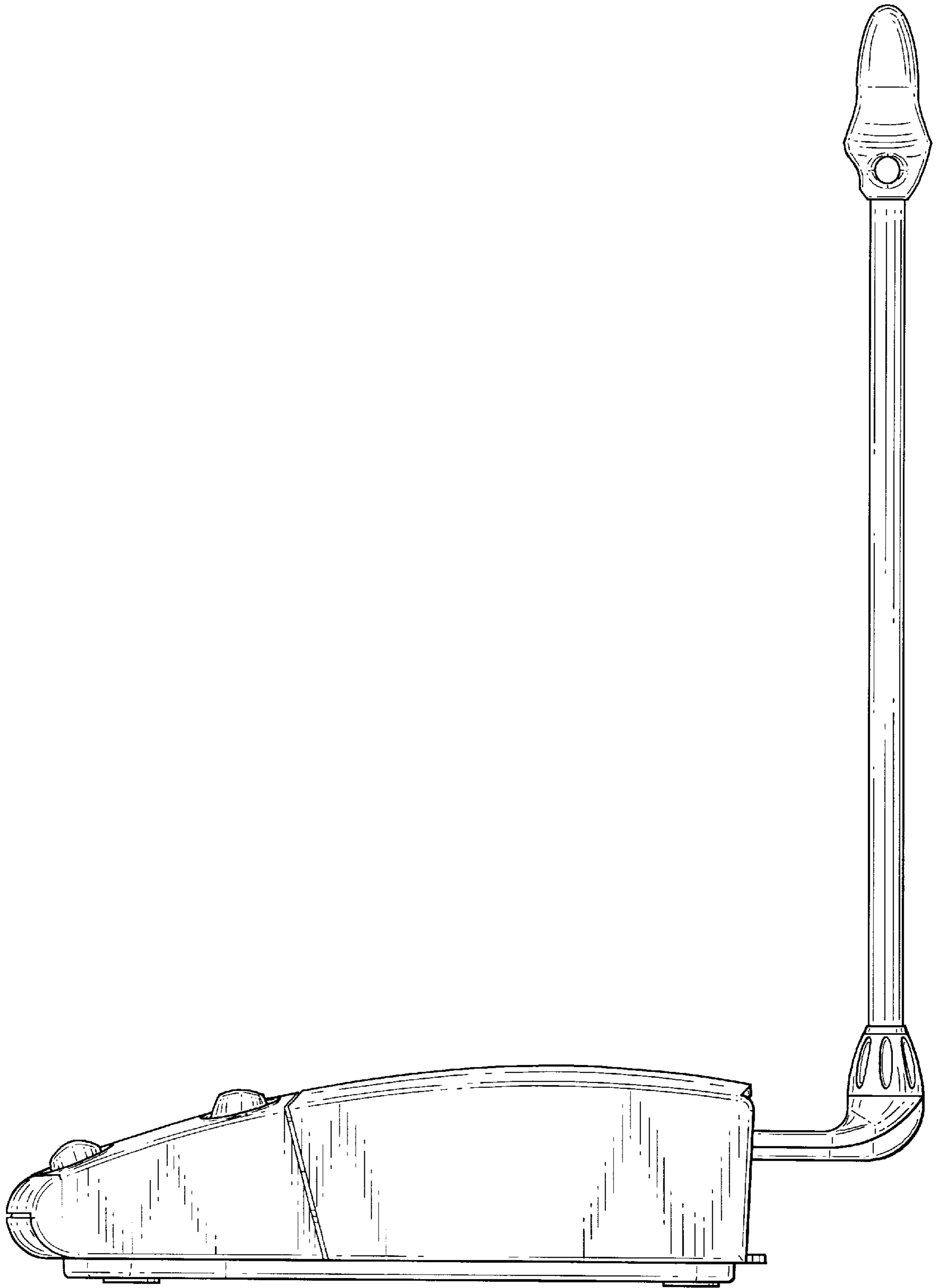


FIG. 13