



US00D457861S

(12) **United States Design Patent**  
**Truong**

(10) **Patent No.:** **US D457,861 S**

(45) **Date of Patent:** **\*\* May 28, 2002**

(54) **RETRACTABLE TELEPHONE CORD**

(75) Inventor: **Peggy Truong**, New York, NY (US)

(73) Assignee: **Motion Systems LLC**, New York, NY (US)

(\*\*) Term: **14 Years**

(21) Appl. No.: **29/144,479**

(22) Filed: **Jul. 5, 2001**

(51) **LOC (7) Cl.** ..... **13-03**

(52) **U.S. Cl.** ..... **D13/153**

(58) **Field of Search** ..... 174/68.1, 70 R;  
D13/153; 191/12.2 R, 12.4 R; 379/438

(56) **References Cited**

**U.S. PATENT DOCUMENTS**

|              |   |        |        |       |            |
|--------------|---|--------|--------|-------|------------|
| D419,528 S   | * | 1/2000 | Hakoda | ..... | D13/154    |
| D430,111 S   | * | 8/2000 | Liao   | ..... | D13/154    |
| 6,226,381 B1 | * | 5/2001 | Huang  | ..... | 379/438    |
| 6,257,382 B1 | * | 7/2001 | Liao   | ..... | 191/12.2 R |

\* cited by examiner

*Primary Examiner*—Jennifer Rivard

(74) *Attorney, Agent, or Firm*—Ezra Sutton

(57) **CLAIM**

The ornamental design for a retractable telephone cord, as shown and described.

**DESCRIPTION**

FIG. 1 is a perspective view showing the retractable telephone cord embodying my new design;

FIG. 2 is a front view thereof;

FIG. 3 is a rear view thereof;

FIG. 4 is a right side view thereof;

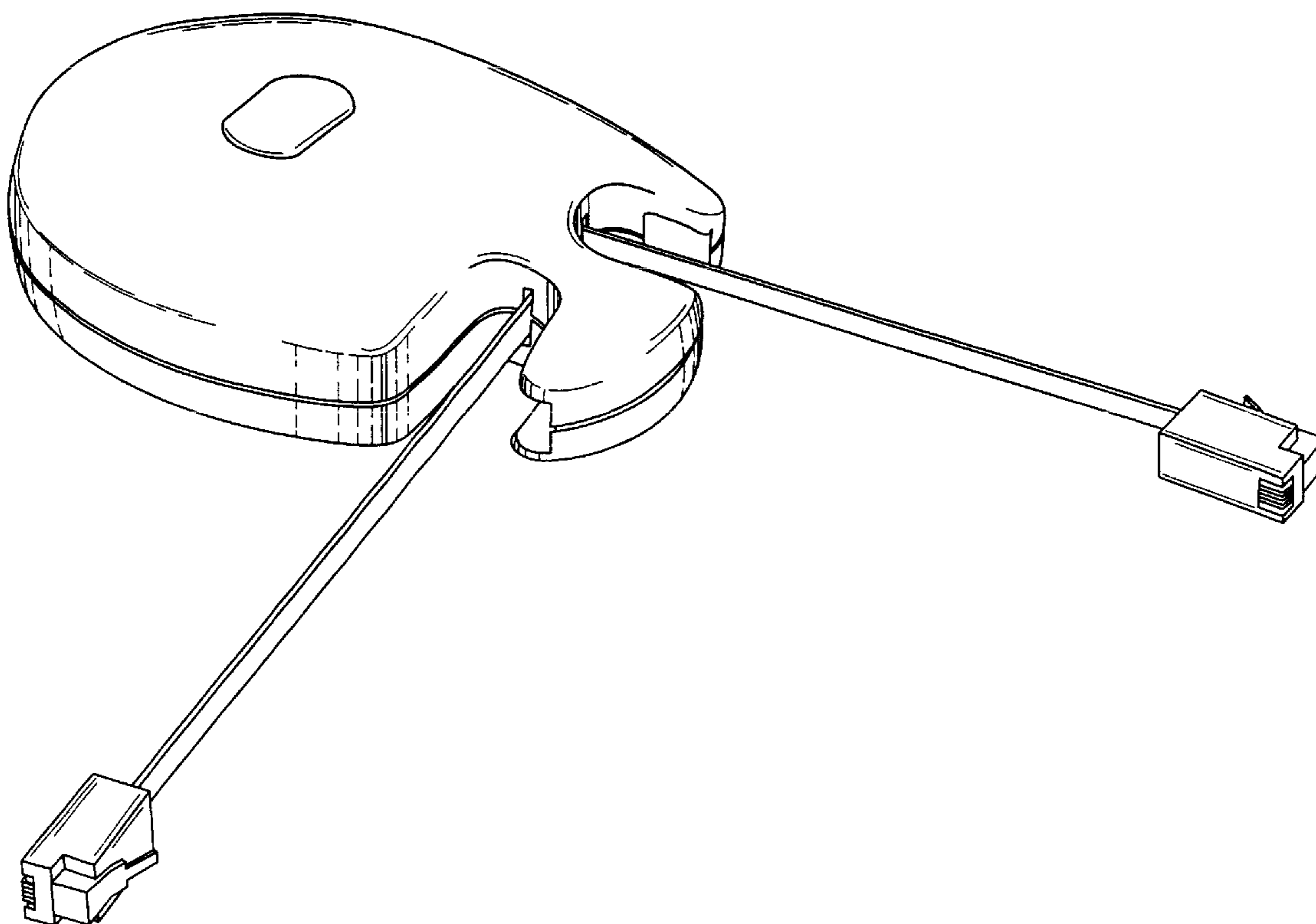
FIG. 5 is a left side view thereof;

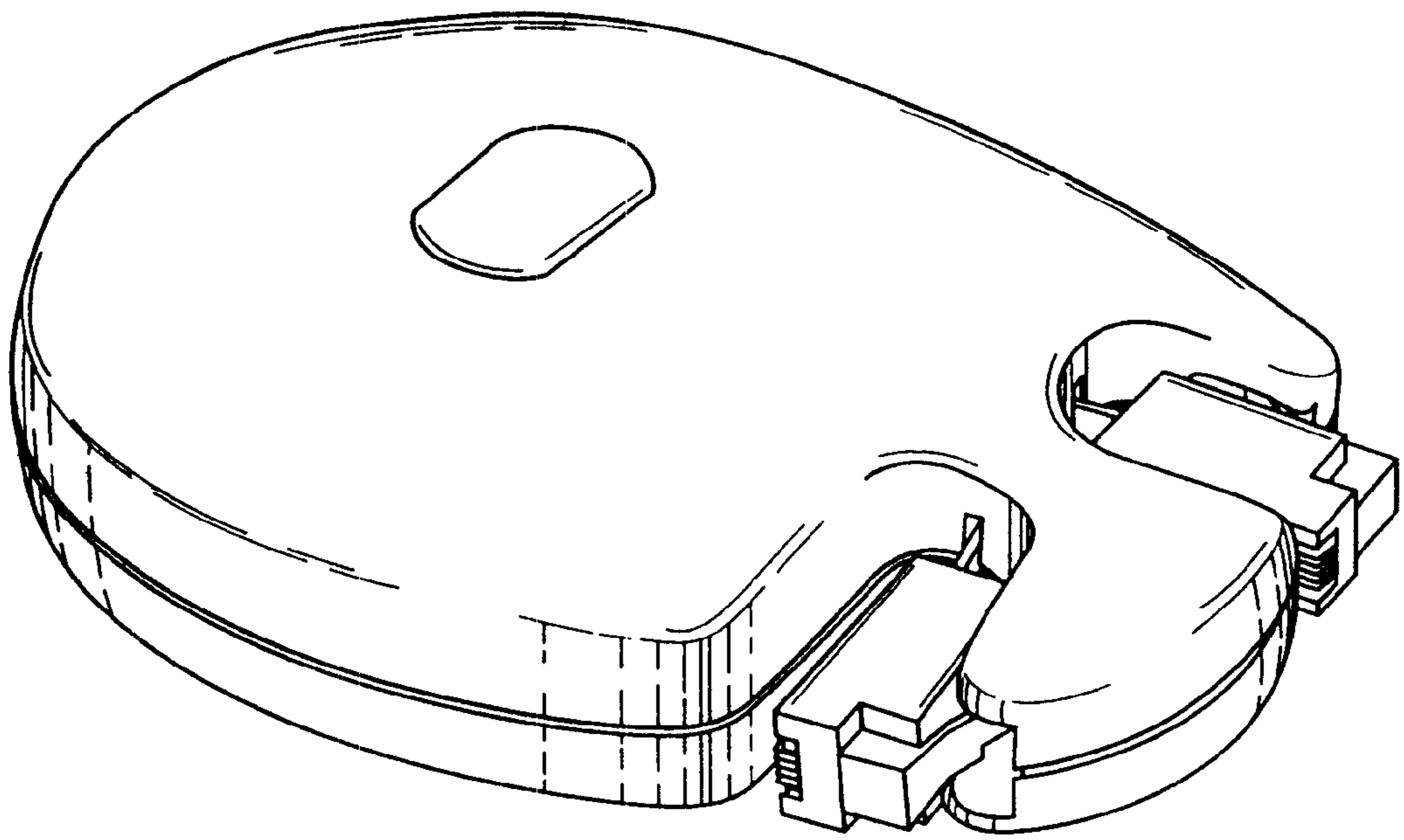
FIG. 6 is a top plan view thereof;

FIG. 7 is a bottom plan view thereof; and,

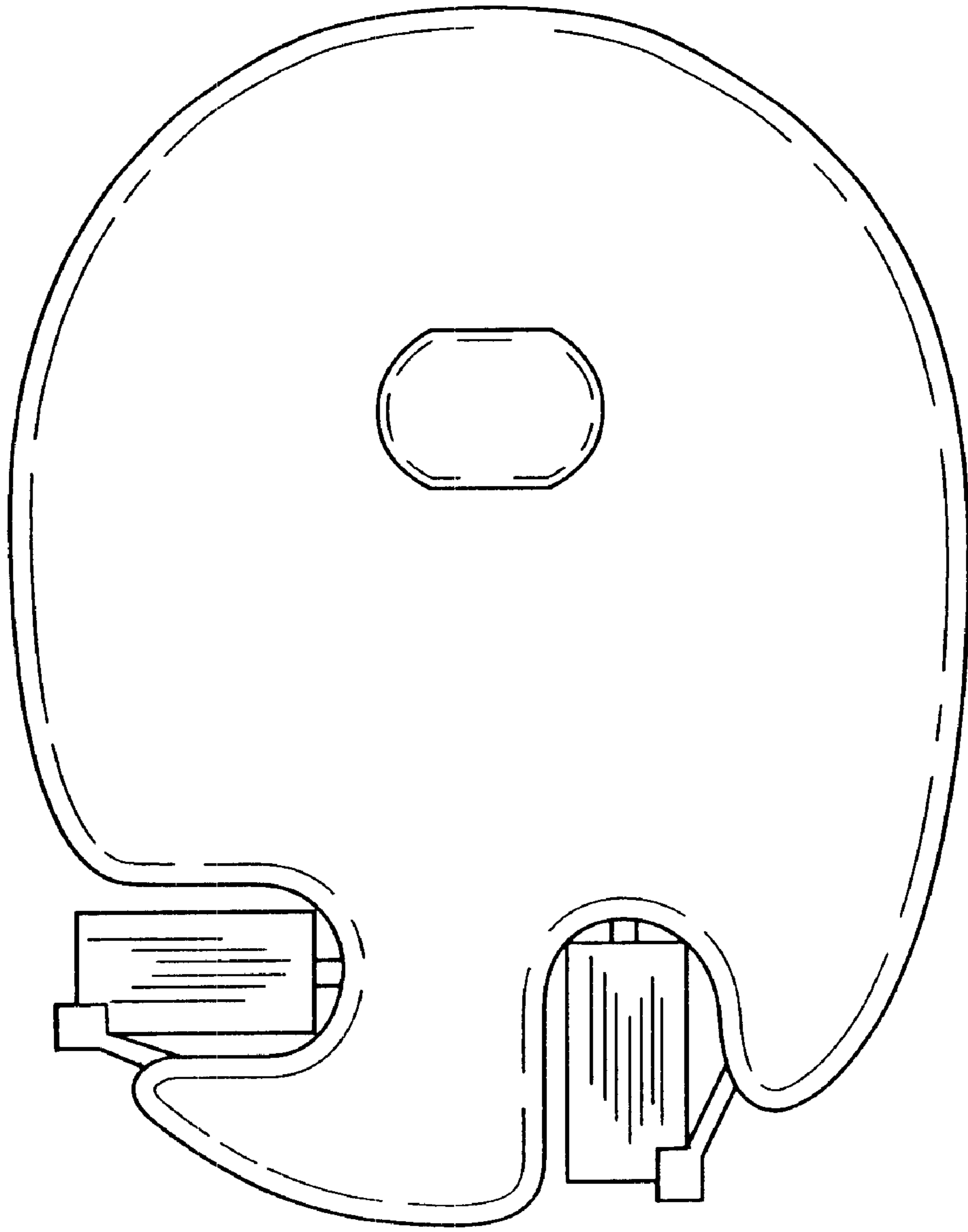
FIG. 8 is a perspective view showing the telephone cords partially extended.

**1 Claim, 6 Drawing Sheets**

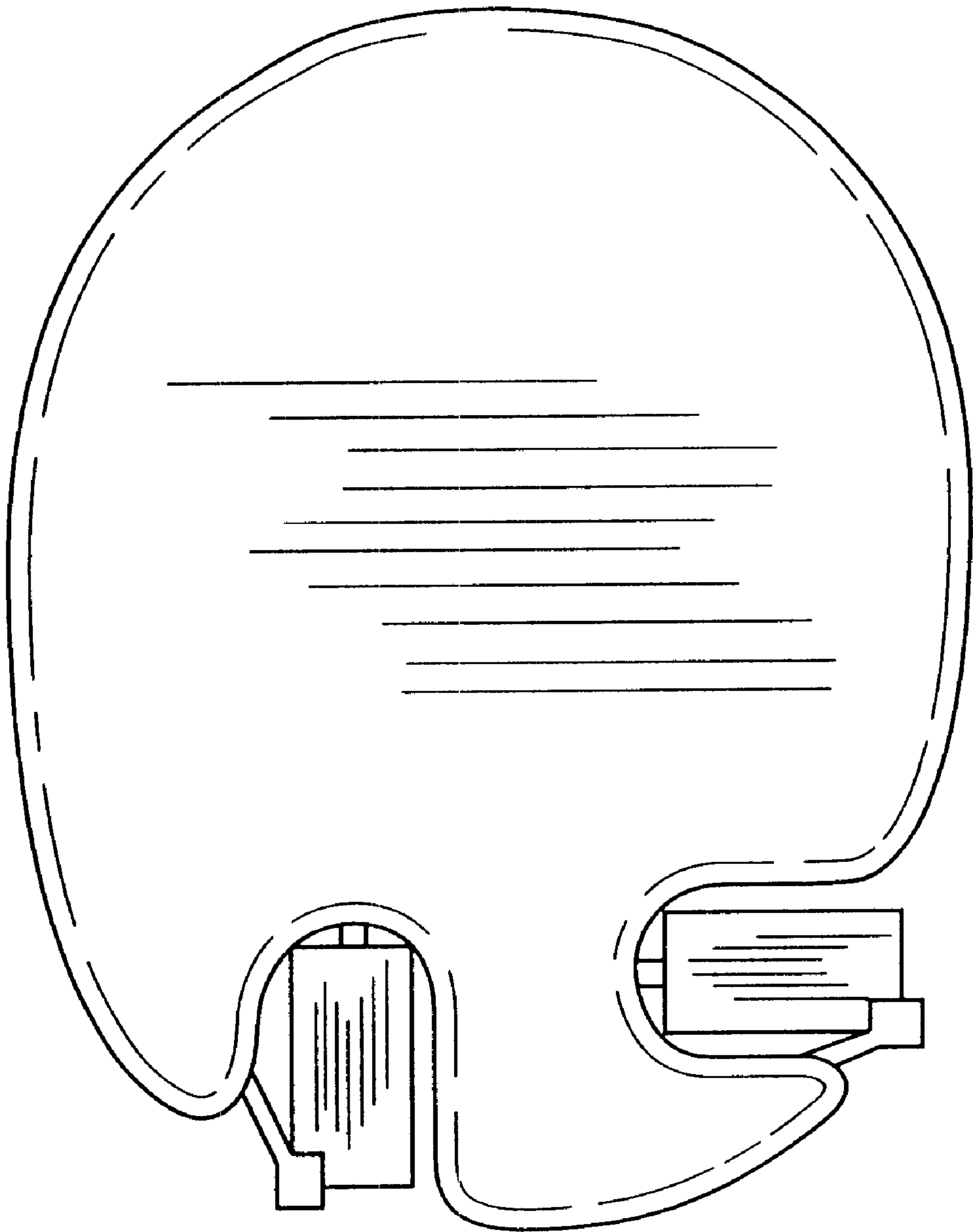




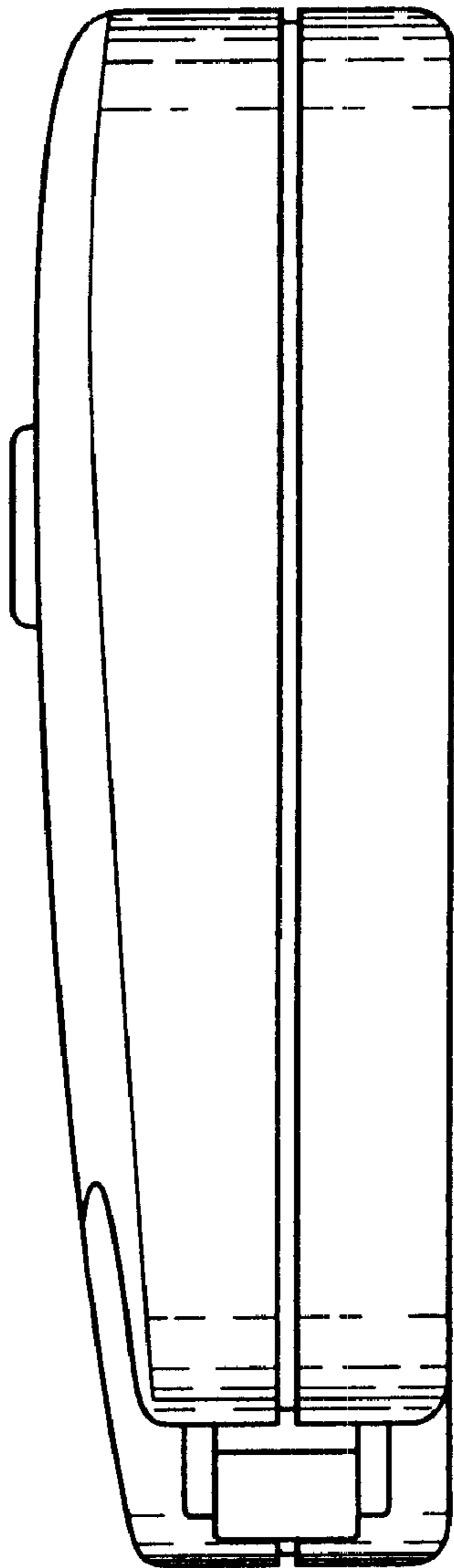
***FIG. 1***



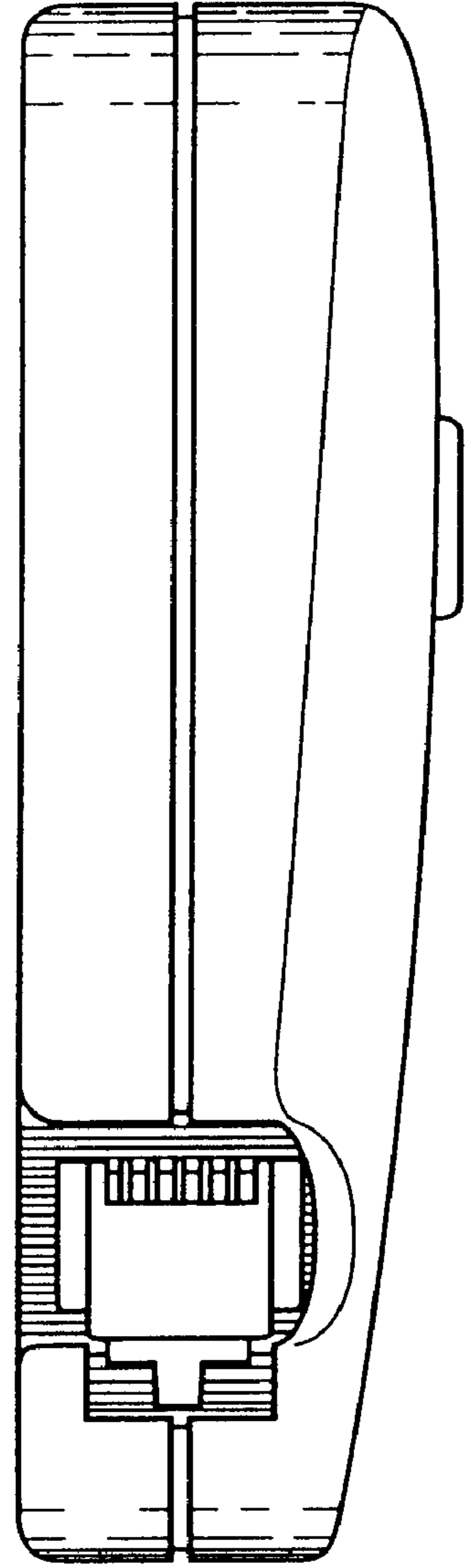
***FIG. 2***



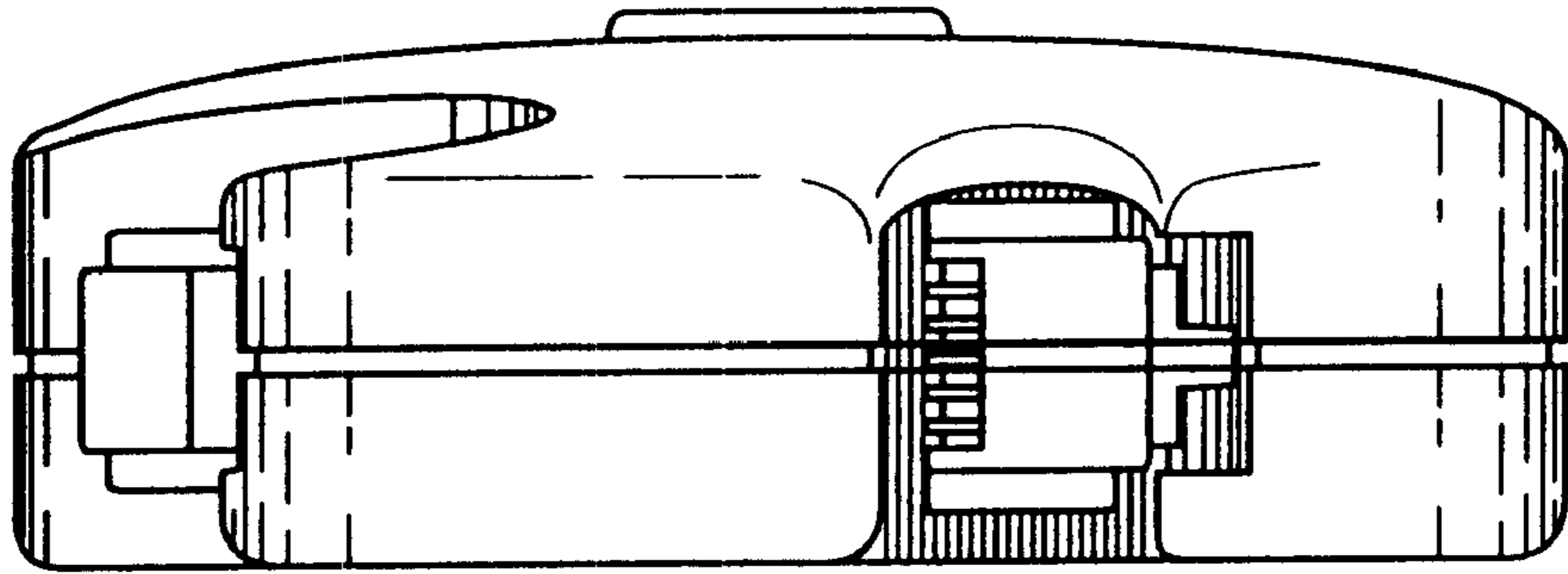
***FIG. 3***



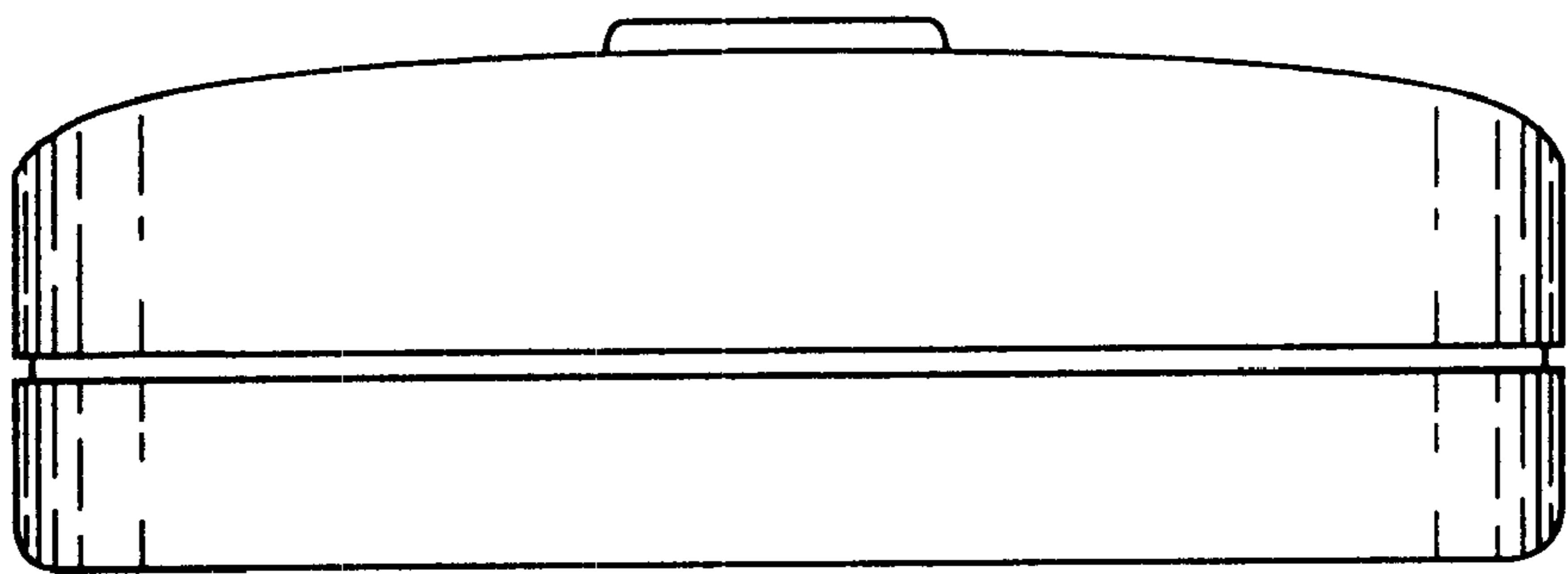
**FIG. 4**



**FIG. 5**



***FIG. 6***



***FIG. 7***

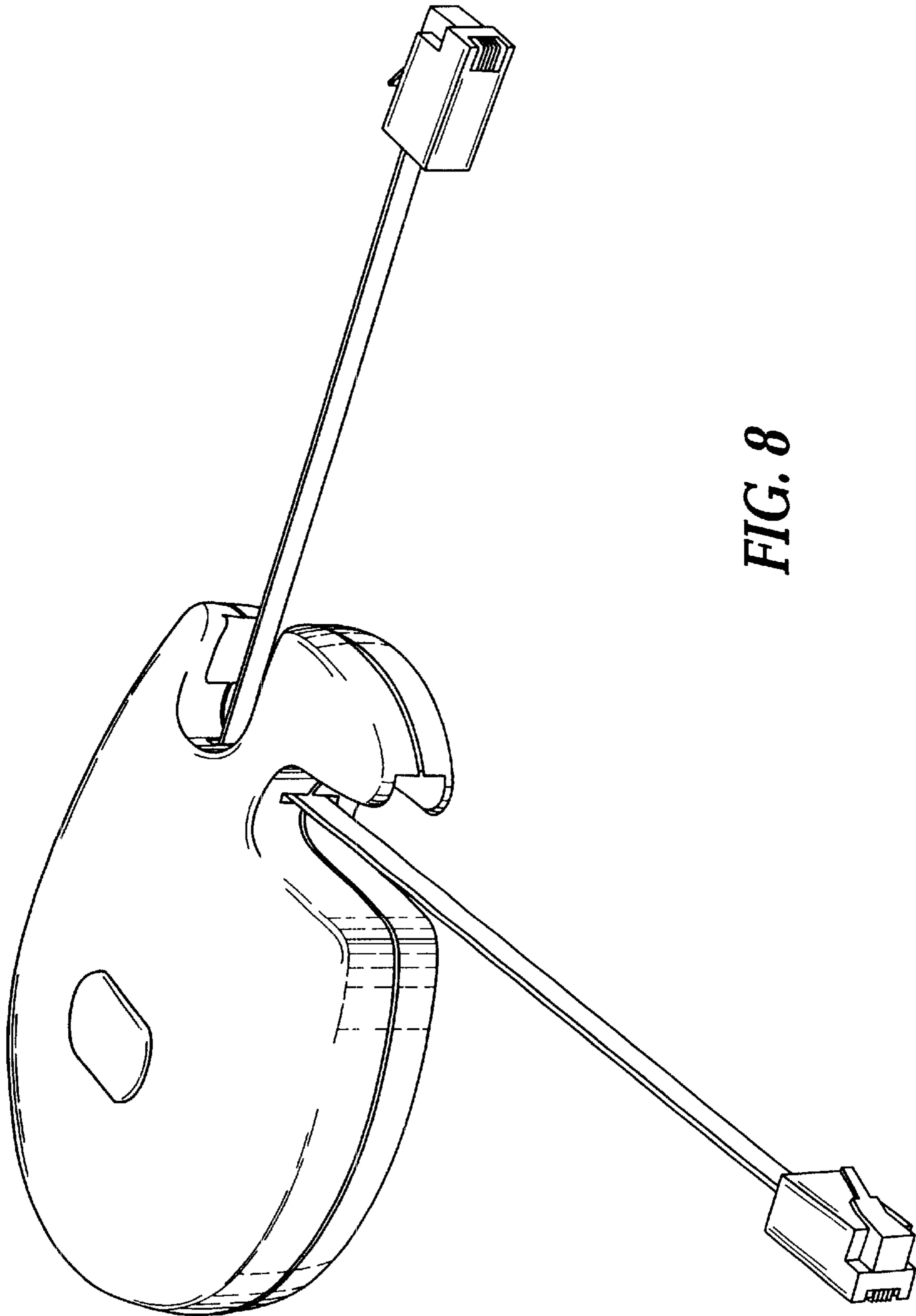


FIG. 8