



US00D457860S

(12) **United States Design Patent**
Larsen et al.

(10) **Patent No.:** **US D457,860 S**
(45) **Date of Patent:** **** May 28, 2002**

(54) **PIN CONNECTOR WITH POWER AND SIGNAL PINS**

D435,245 S * 12/2000 Hwang D13/147

* cited by examiner

(75) Inventors: **Russell G. Larsen**, San Jose; **Rodolfo F. Aguilar**, Hayward, both of CA (US)

Primary Examiner—Joel Sincavage

(73) Assignee: **TVM Group, Inc.**, Fremont, CA (US)

(74) *Attorney, Agent, or Firm*—Flehr Hohbach Test Albritton & Herbert LLP

(**) Term: **14 Years**

(57) **CLAIM**

(21) Appl. No.: **29/129,716**

The ornamental design for a pin connector with power and signal pins, as shown and described.

(22) Filed: **Sep. 18, 2000**

DESCRIPTION

(51) **LOC (7) Cl.** **13-03**

(52) **U.S. Cl.** **D13/147**

(58) **Field of Search** D13/147; 439/378,
439/677-680, 752

FIG. 1 is a perspective view of the pin connector with power and signal pins of my new design.

FIG. 2 is a top plan view of the pin connector with power and signal pins shown in FIG. 1.

FIG. 3 is a bottom plan view of pin connector with power and signal pins shown in FIG. 1.

FIG. 4 is a front elevational view of the pin connector with power and signal pins shown in FIG. 1.

FIG. 5 is a rear elevational view of the pin connector with power and signal pins shown in FIG. 1.

FIG. 6 is a right side elevational view of the pin connector with power and signal pins shown in FIG. 1; and,

FIG. 7 is a left side elevational view of the pin connector with power and signal pins shown in FIG. 1.

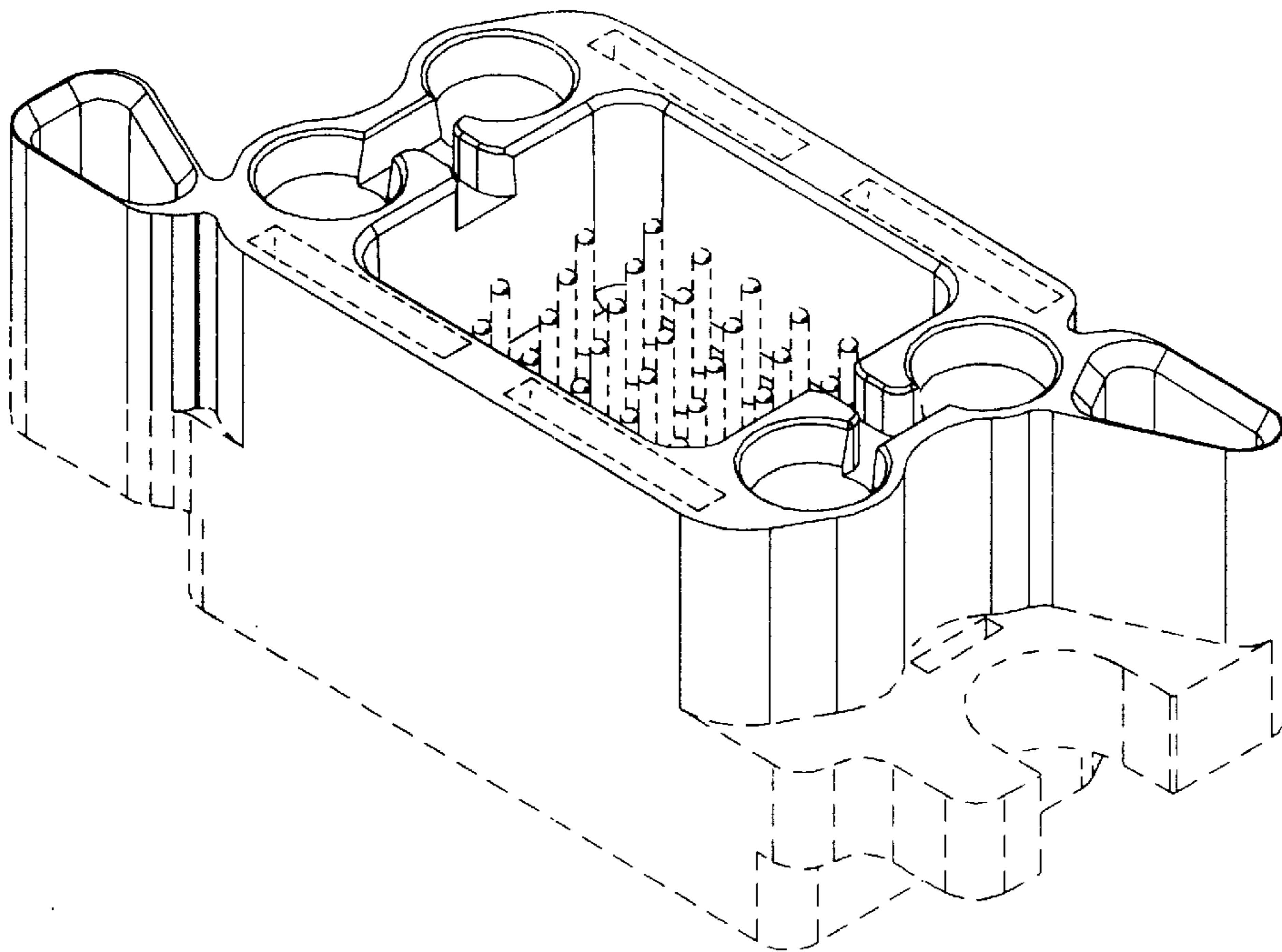
The broken lines showing throughout the drawing figures are included for the purpose of illustrating environmental structure only and form no part of the claimed design.

(56) **References Cited**

U.S. PATENT DOCUMENTS

4,647,130	A	*	3/1987	Blair et al.	439/248
4,664,456	A	*	5/1987	Blair et al.	439/378 X
4,761,144	A	*	8/1988	Hunt, III et al.	439/545
4,812,133	A	*	3/1989	Fleak et al.	439/248
5,362,261	A	*	11/1994	Puerner	439/752
D366,241	S		1/1996	Eaton	D13/147
D366,454	S		1/1996	Eaton	D13/147
5,575,690	A		11/1996	Eaton	439/717
5,588,852	A	*	12/1996	Puerner	439/135
D412,489	S		8/1999	Middlehurst et al.	D13/147
D434,726	S		12/2000	Middlehurst	D13/147
D435,017	S	*	12/2000	Hwang	D13/147

1 Claim, 3 Drawing Sheets



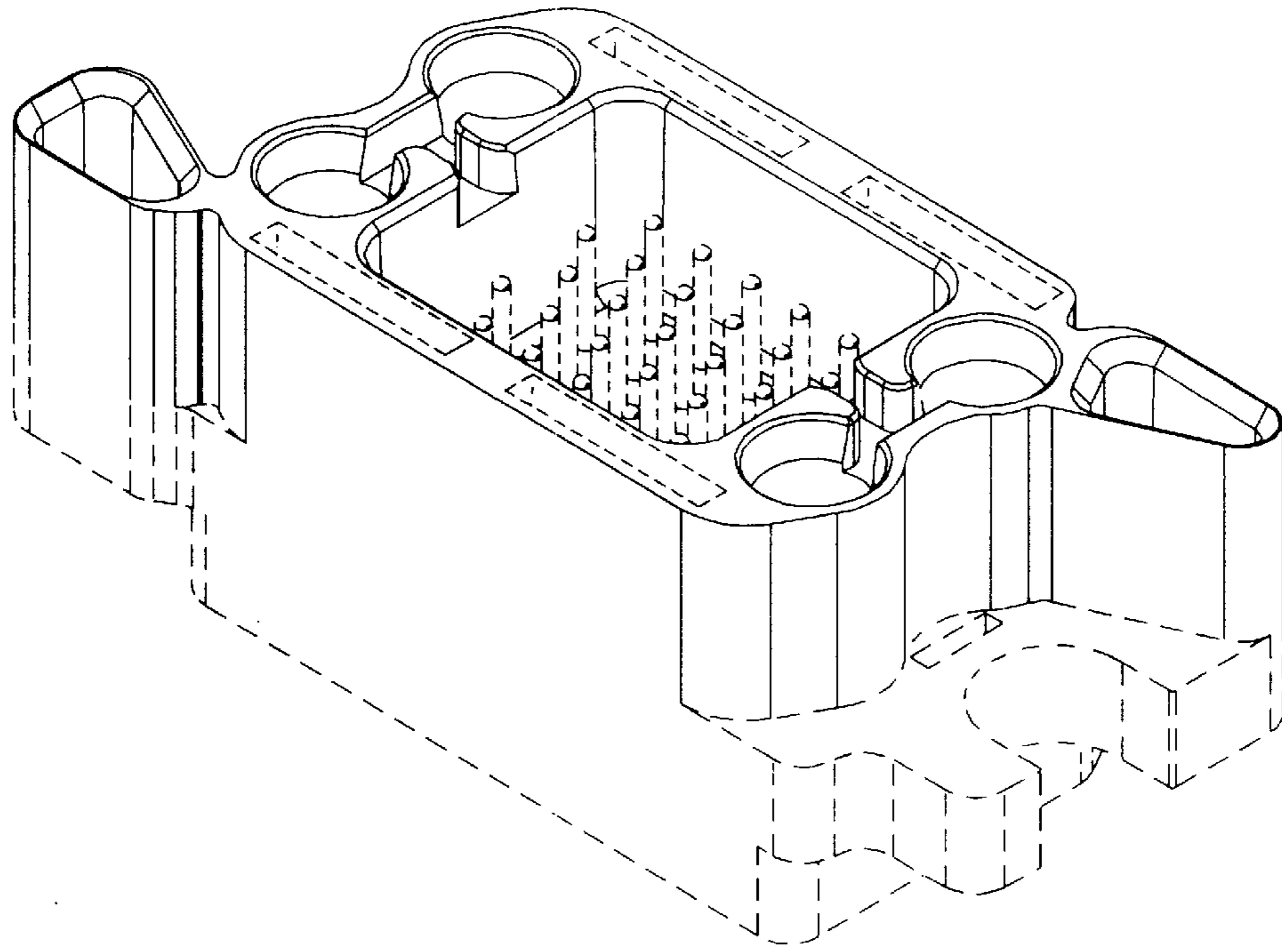


FIG. 1

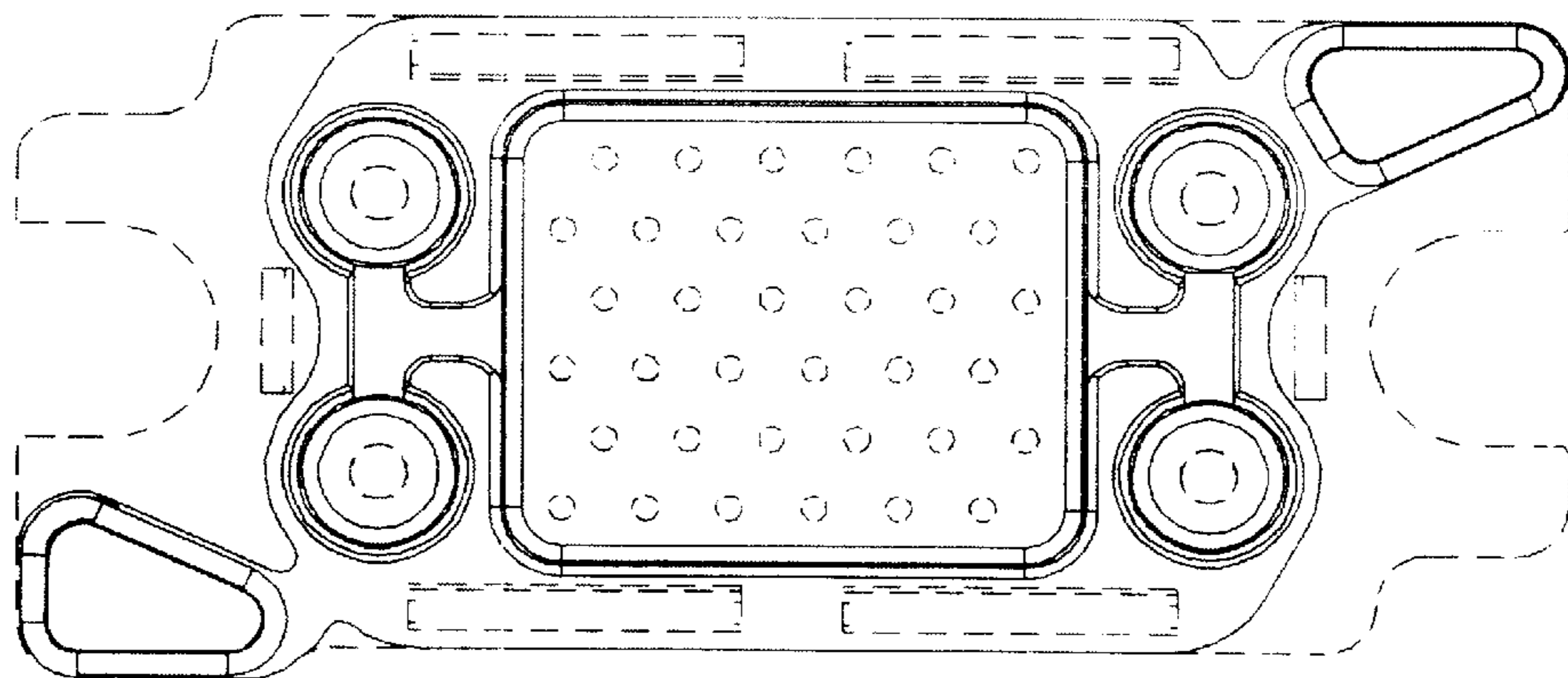


FIG. 2

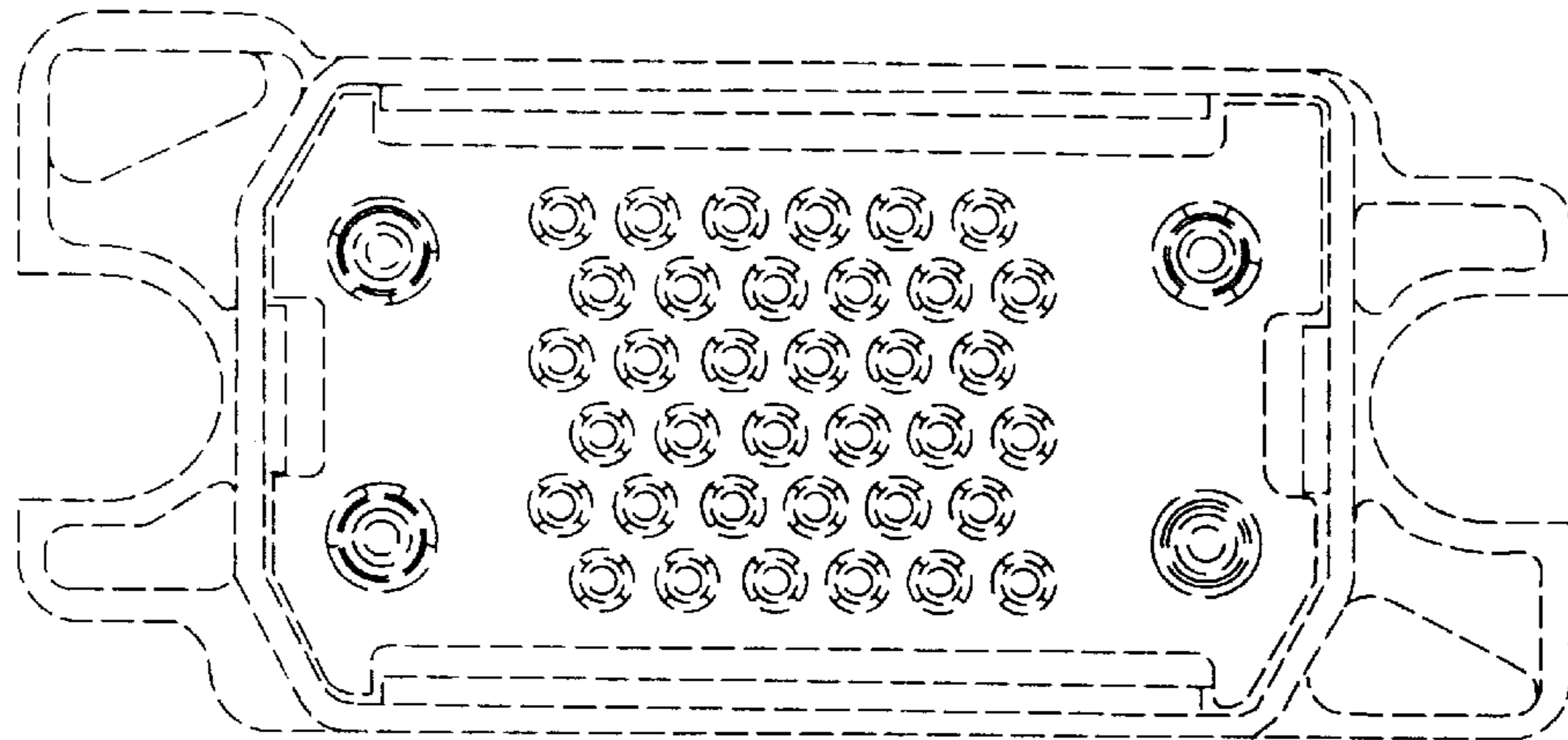


FIG. 3

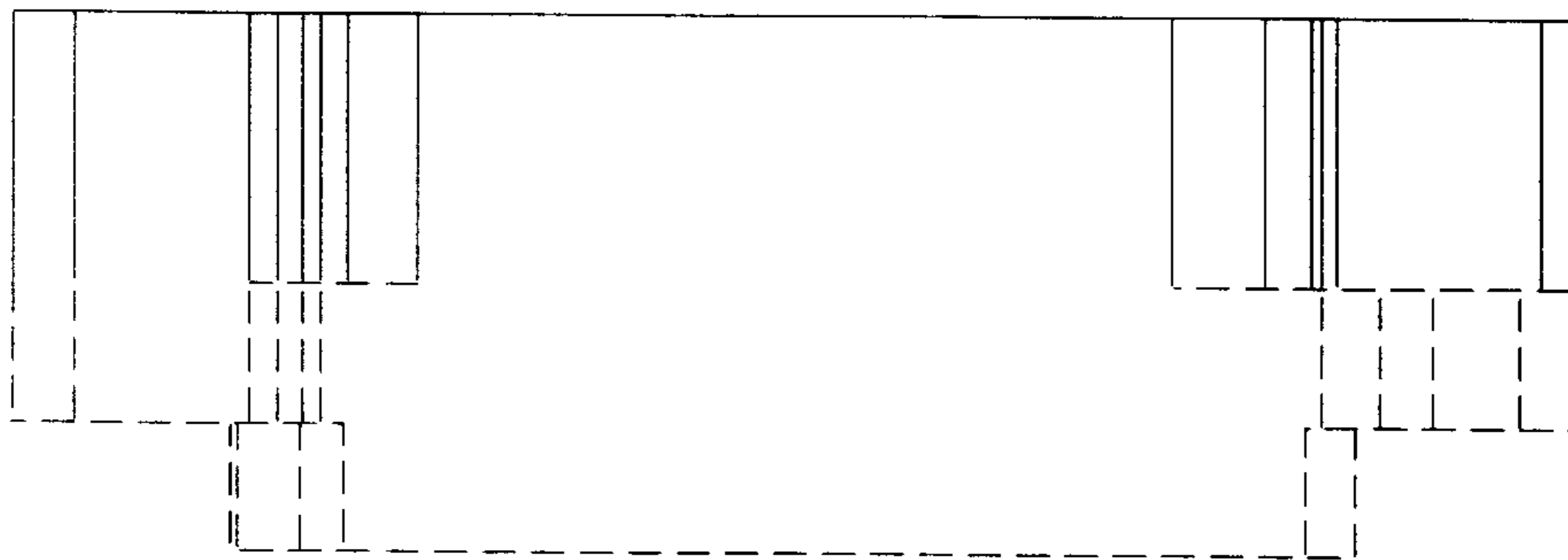


FIG. 4

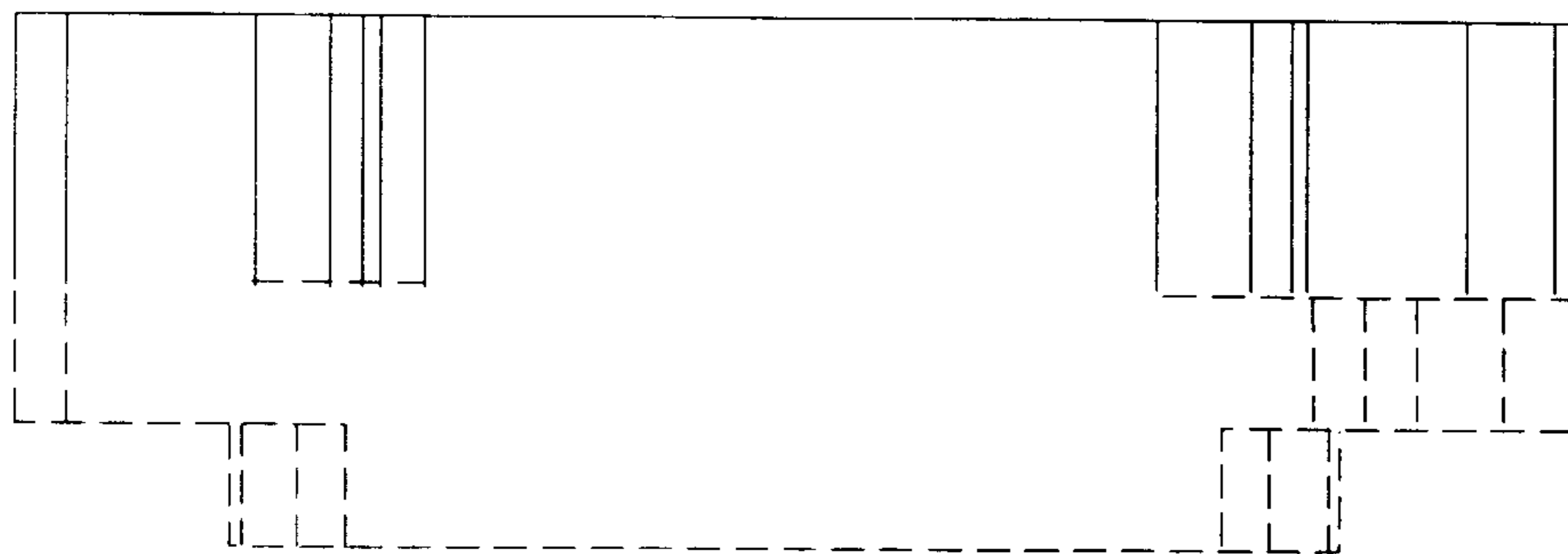


FIG. 5

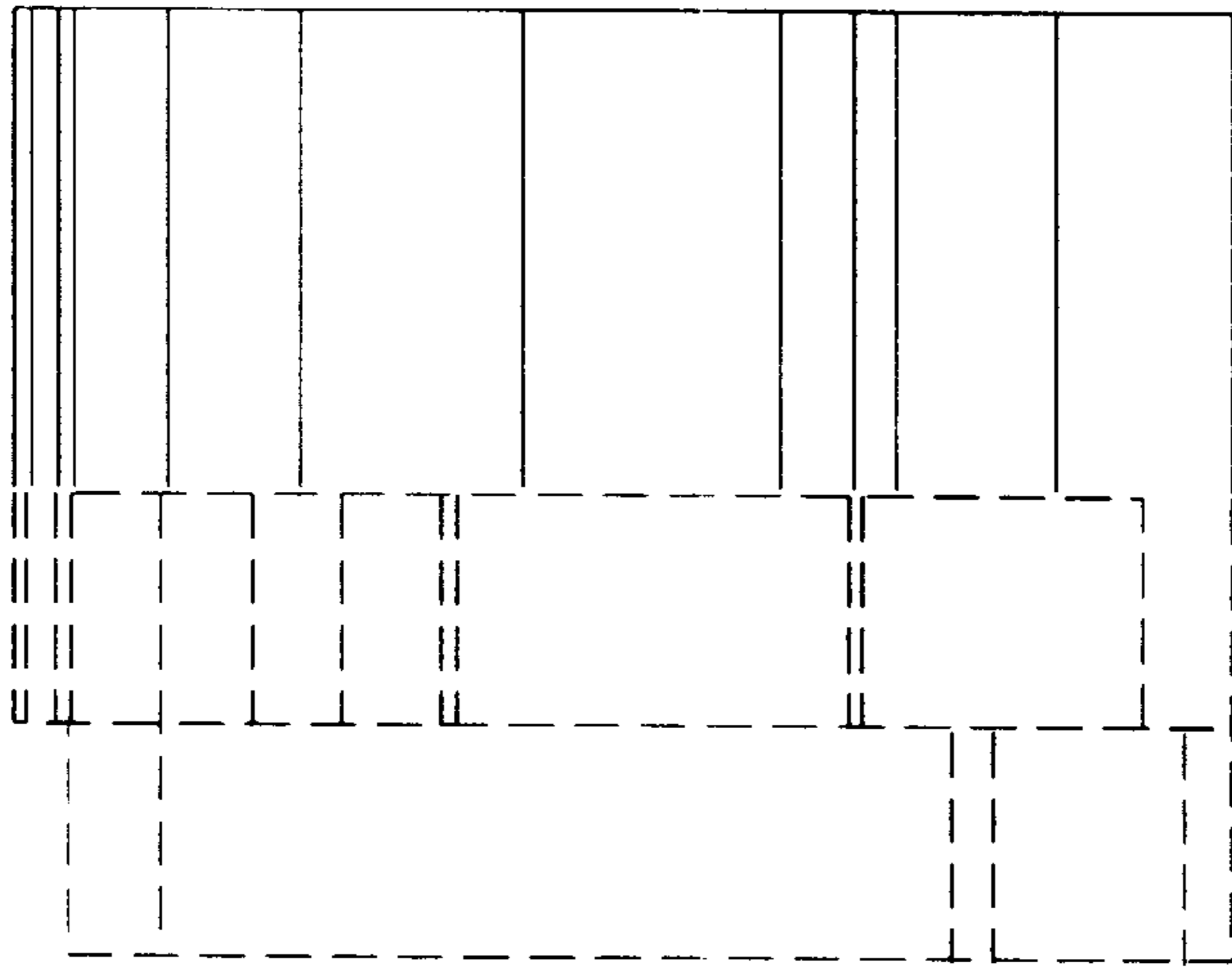


FIG. 6

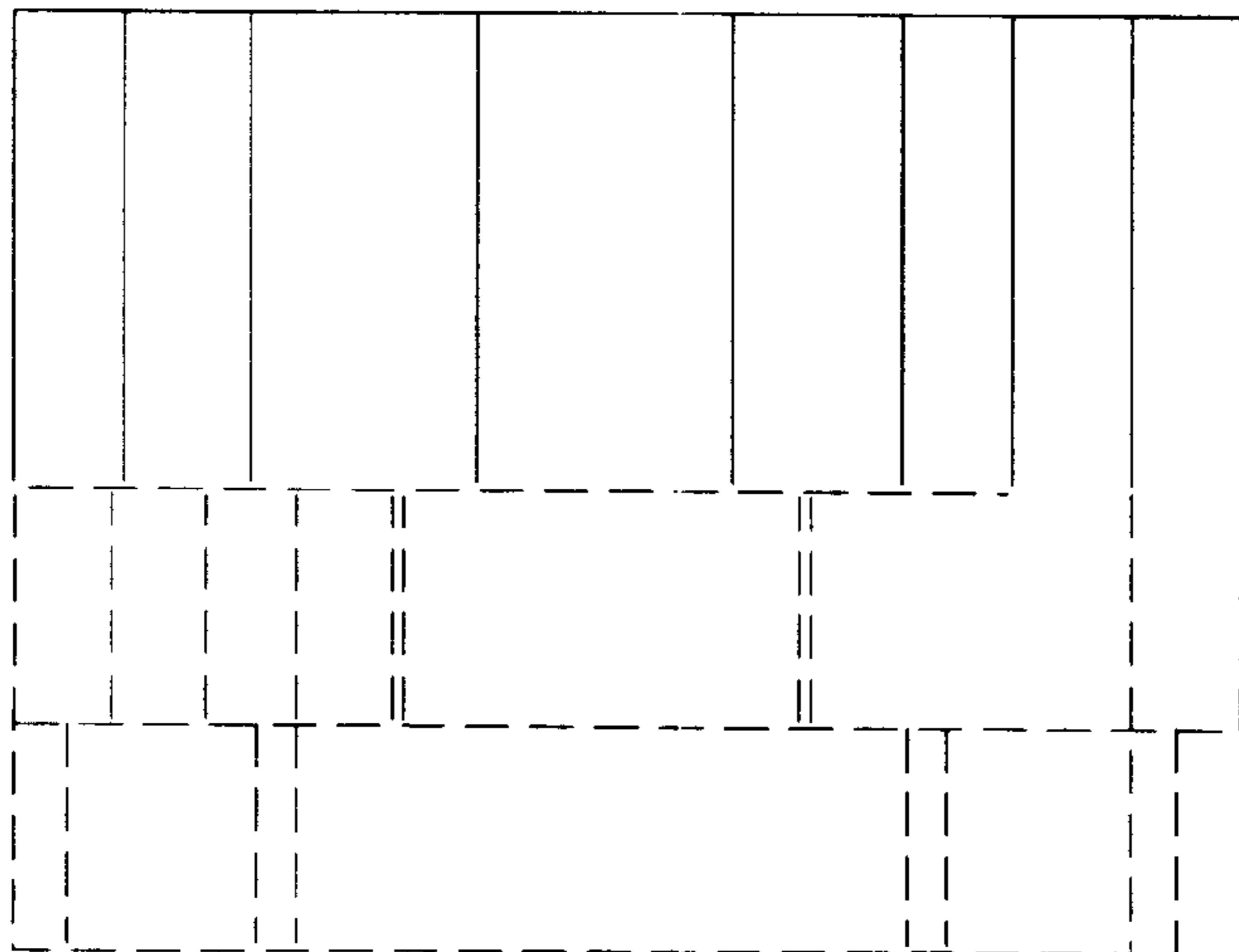


FIG. 7