



US00D457857S

(12) **United States Design Patent**  
**Ogasawara**

(10) **Patent No.:** **US D457,857 S**

(45) **Date of Patent:** **\*\* May 28, 2002**

(54) **RECHARGEABLE BATTERY**

D431,808 S 10/2000 Ogasawara

D448,003 S \* 9/2001 Ogasawara ..... D13/103

(75) Inventor: **Shinichi Ogasawara**, Tokyo (JP)

\* cited by examiner

(73) Assignee: **Sony Corporation**, Tokyo (JP)

*Primary Examiner*—Joel Sincavage

(\*\*) Term: **14 Years**

(74) *Attorney, Agent, or Firm*—Rader, Fishman & Grauer, PLLC

(21) Appl. No.: **29/142,191**

(57) **CLAIM**

(22) Filed: **May 22, 2001**

The ornamental design for a rechargeable battery, as shown and described.

(51) **LOC (7) Cl.** ..... **13-02**

(52) **U.S. Cl.** ..... **D13/103**

(58) **Field of Search** ..... D13/103; 429/96–100,  
429/159, 163, 176; 361/683

**DESCRIPTION**

FIG. 1 is a perspective view of a rechargeable battery showing my new design;

FIG. 2 is a front elevational view thereof;

FIG. 3 is a rear elevational view thereof;

FIG. 4 is a left side elevational view thereof;

FIG. 5 is a right side elevational view thereof;

FIG. 6 is a top plan view thereof; and,

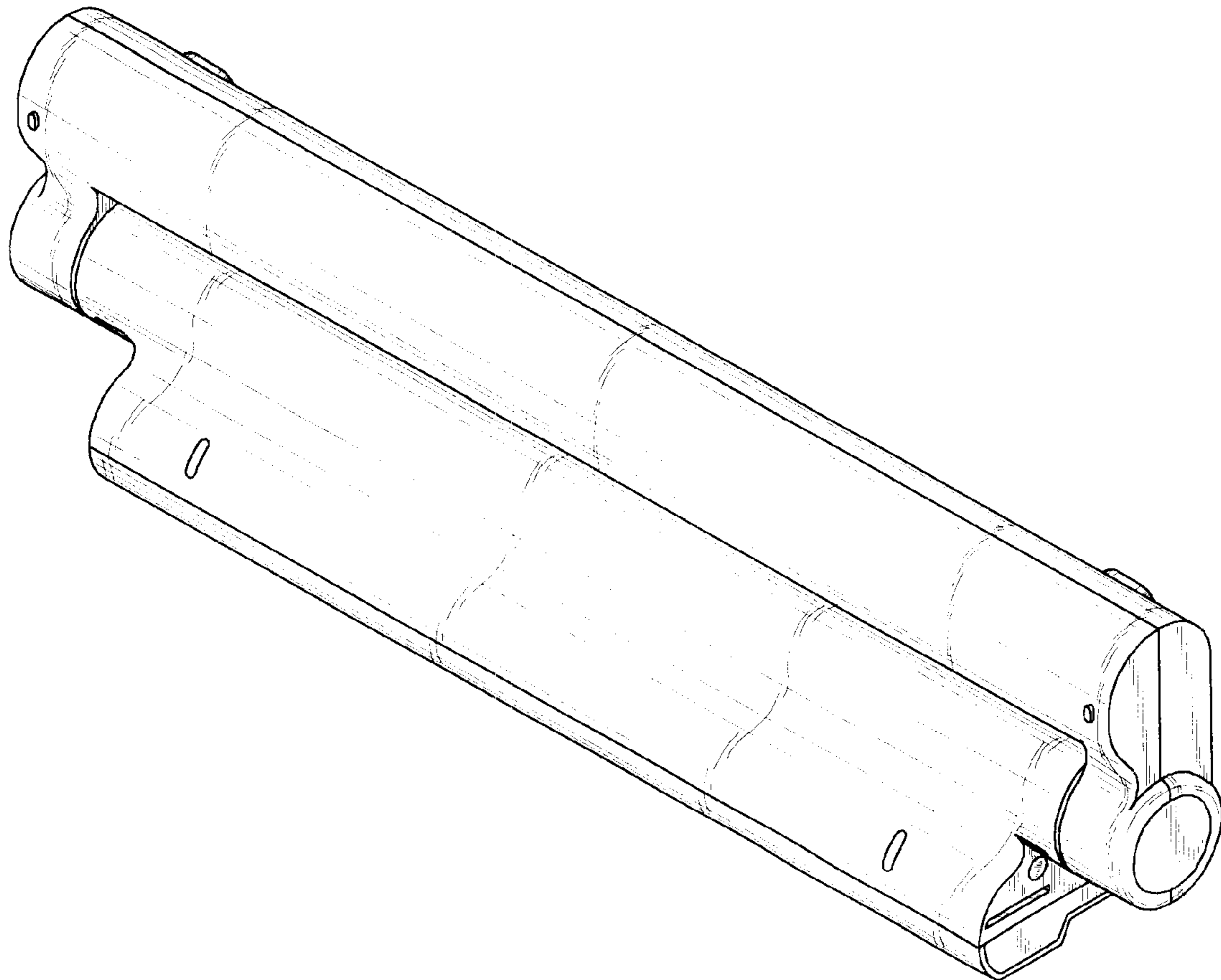
FIG. 7 is a bottom plan view thereof.

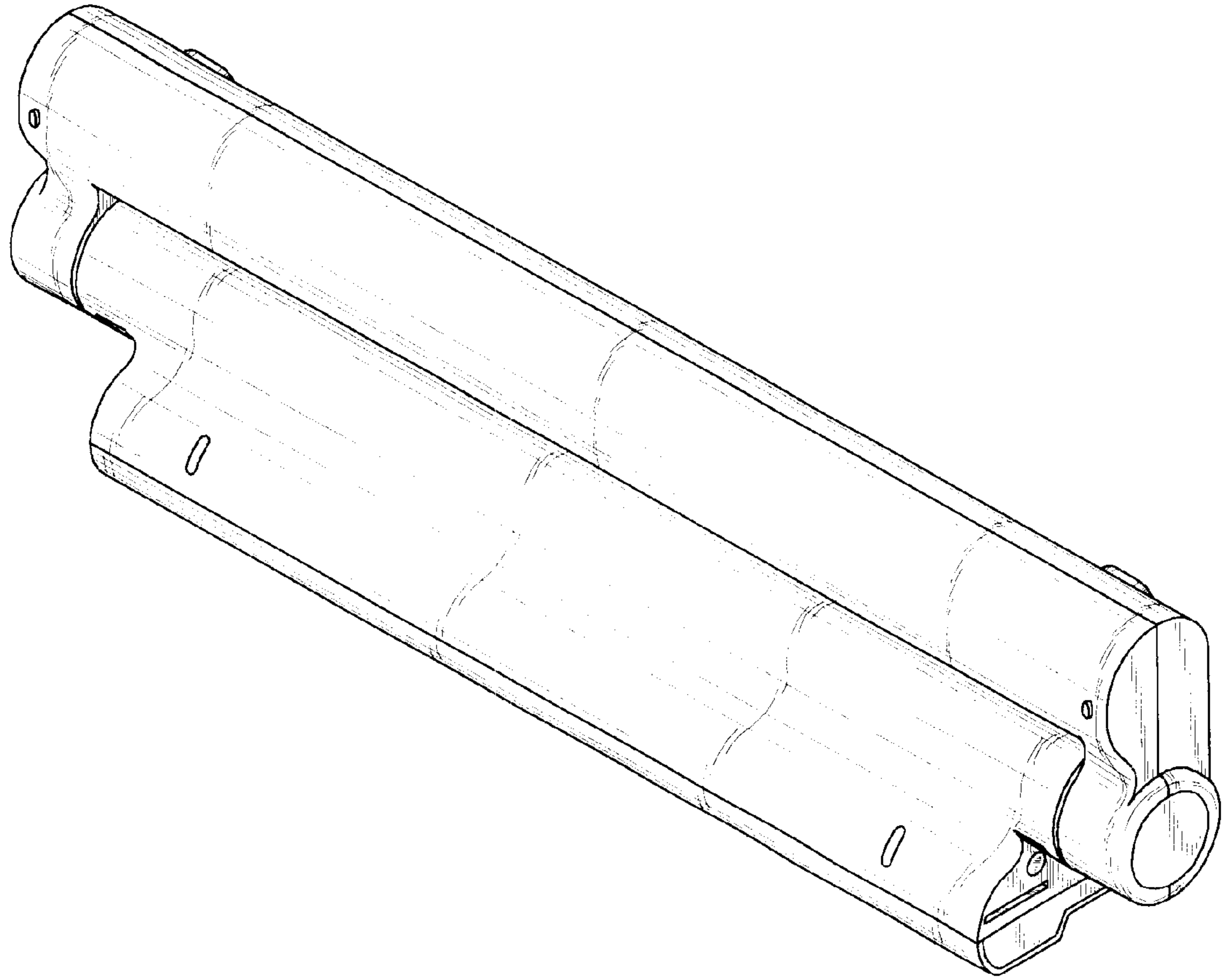
(56) **References Cited**

**U.S. PATENT DOCUMENTS**

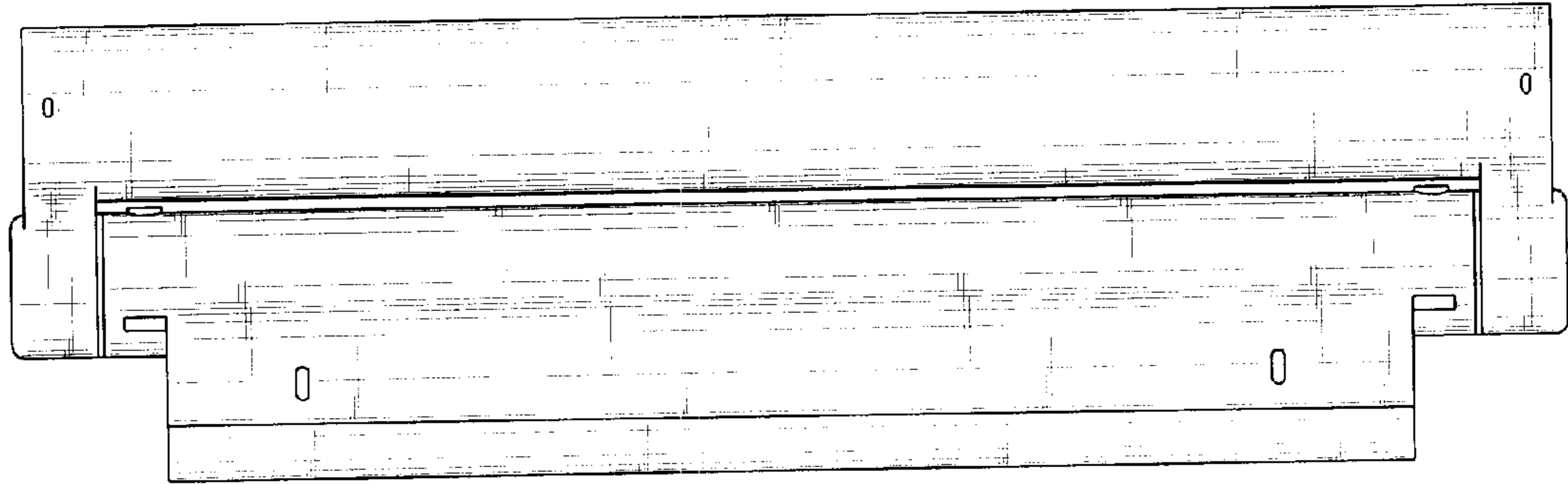
5,506,749	A	*	4/1996	Matsuda	.....	361/683
D405,755	S	*	2/1999	Arai et al.	.....	D13/103
D406,561	S		3/1999	Goto		
6,002,583	A	*	12/1999	Shoji et al.	.....	361/683
D421,244	S		2/2000	Goto		
D431,227	S		9/2000	Ogasawara		

**1 Claim, 4 Drawing Sheets**

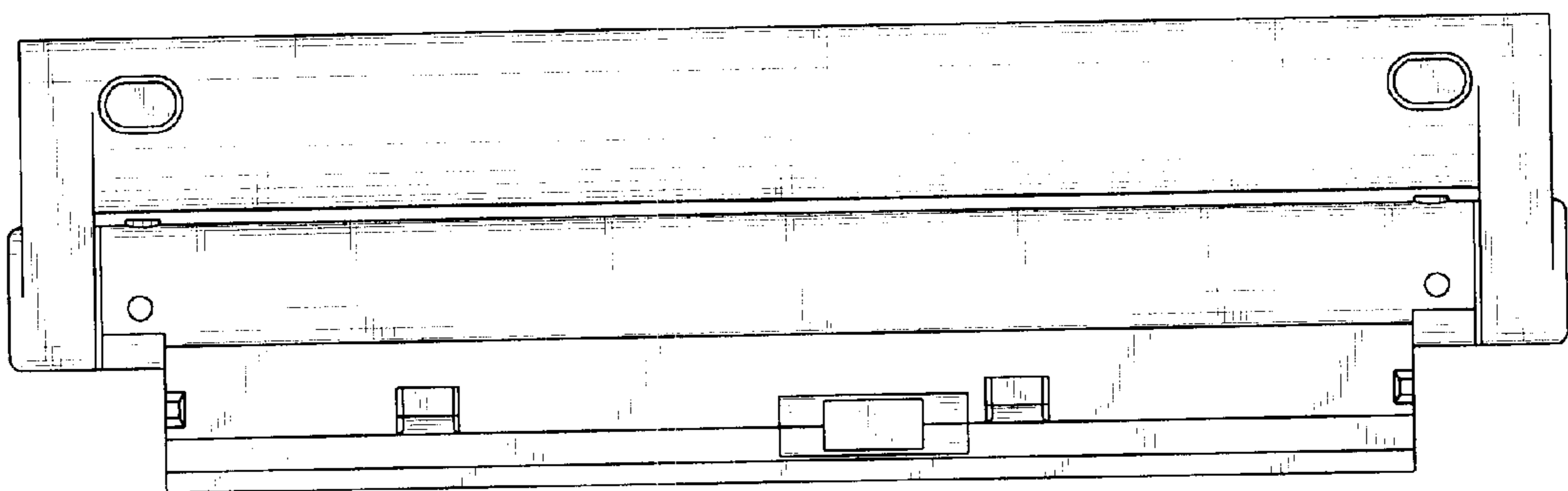




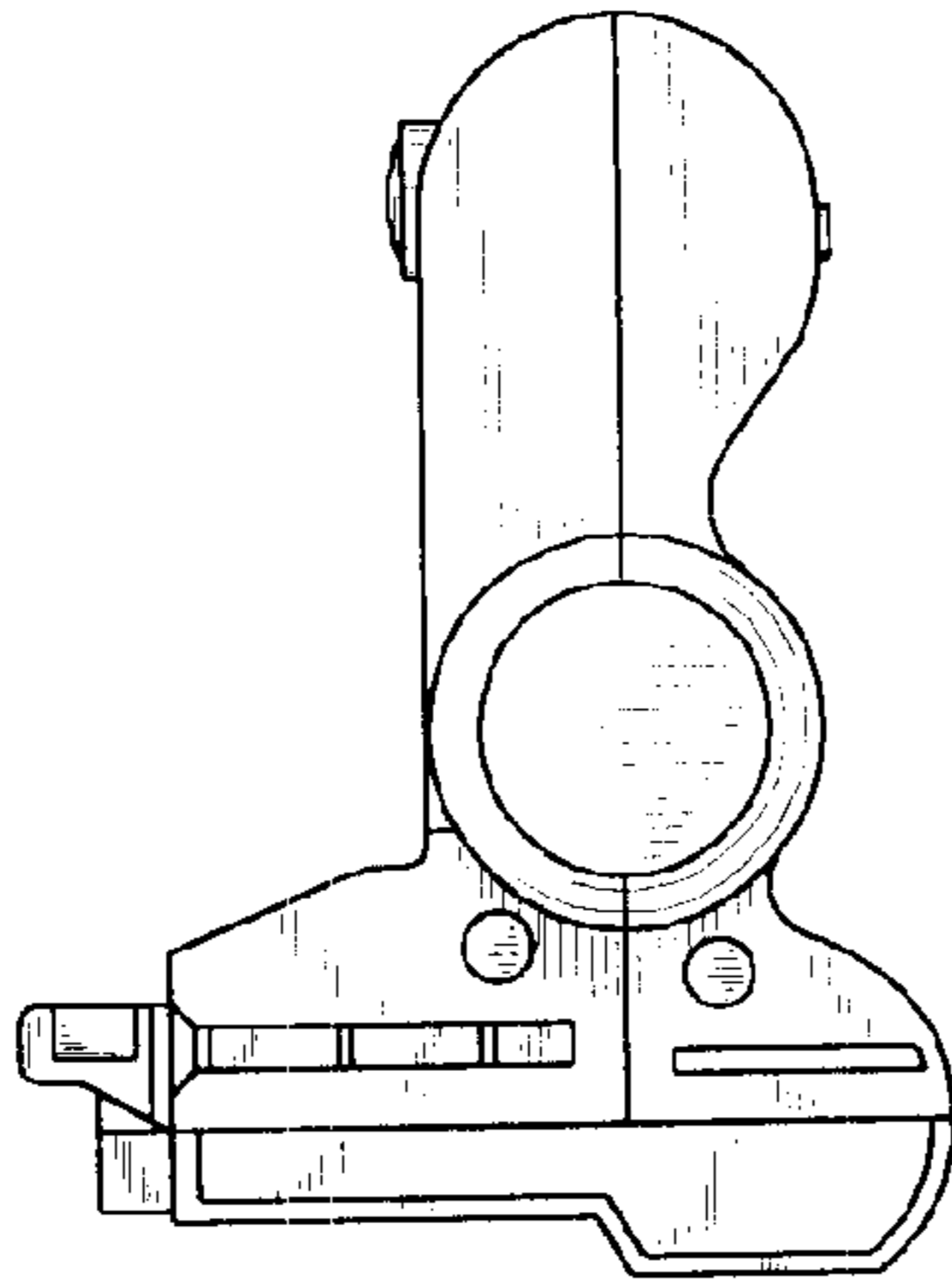
**Fig. 1**



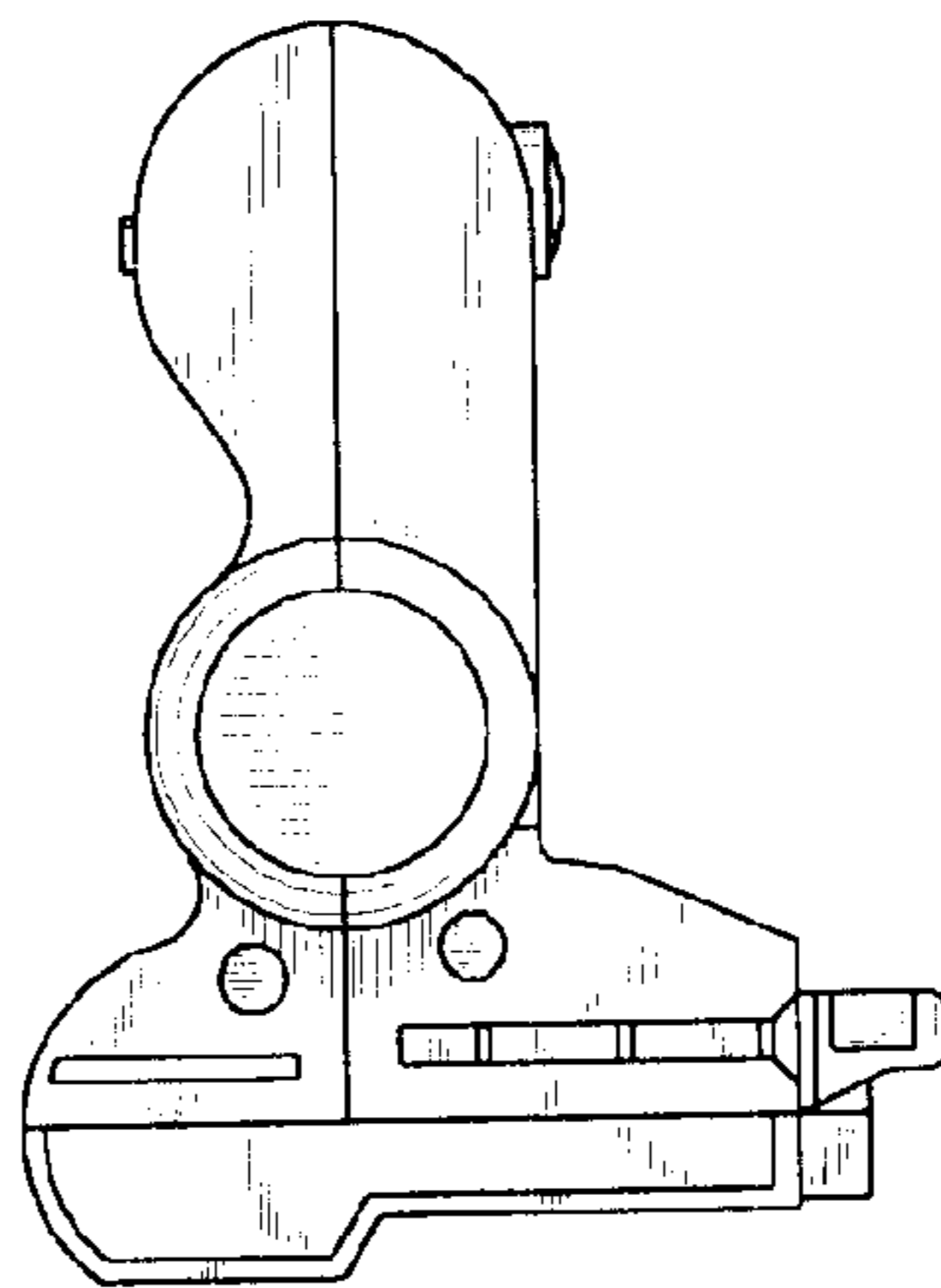
**Fig. 2**



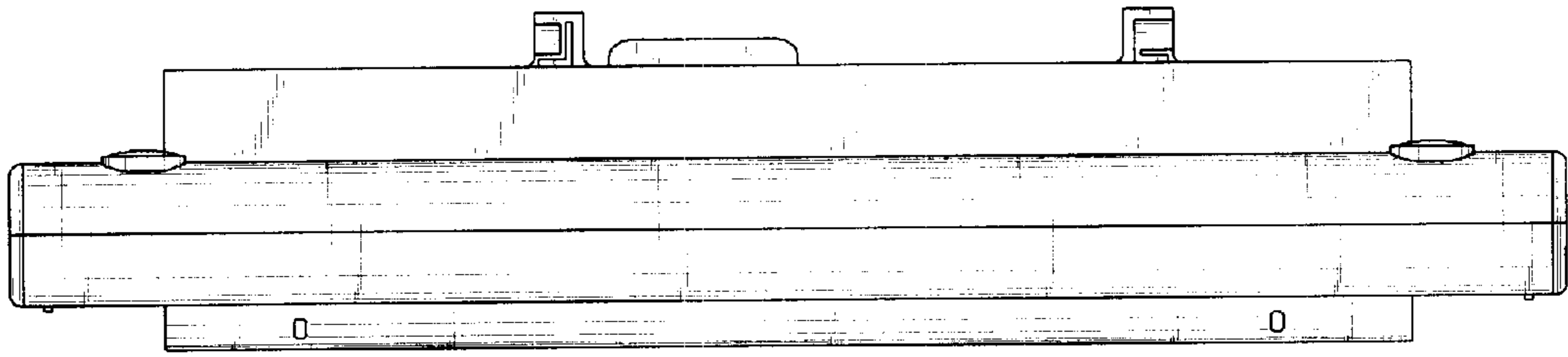
**Fig. 3**



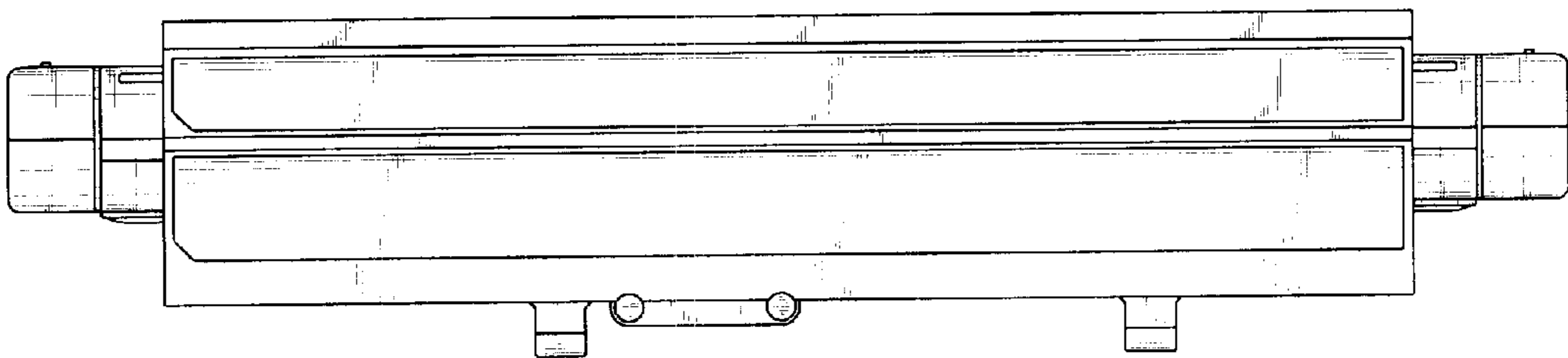
**Fig. 4**



**Fig. 5**



**Fig. 6**



**Fig. 7**