



US00D457853S

(12) **United States Design Patent**
Lopez

(10) **Patent No.:** **US D457,853 S**

(45) **Date of Patent:** **** May 28, 2002**

(54) **TREAD OF A TIRE**

(75) Inventor: **Jose Merino Lopez**, Riom (FR)

(73) Assignee: **Michelin Recherche et Technique S.A.**, Granges-Paccot (CH)

(**) Term: **14 Years**

(21) Appl. No.: **29/138,799**

(22) Filed: **Mar. 20, 2001**

(30) **Foreign Application Priority Data**

Sep. 22, 2000 (FR) 00 5552

(51) **LOC (7) Cl.** **12-15**

(52) **U.S. Cl.** **D12/574; D12/600**

(58) **Field of Search** D12/574, 580,
D12/586, 587, 590, 592, 593, 594, 595,
596, 597, 598, 600, 601, 602, 603; 152/209.1,
209.9, 209.13, 209.18, 209.19, 209.27

(56) **References Cited**

U.S. PATENT DOCUMENTS

D177,307 S	*	4/1956	Billingsley	D12/586
D215,523 S	*	10/1969	Zoltan	D12/586
D224,376 S	*	7/1972	Beaudoin	D12/586
D232,715 S	*	9/1974	Vizina	D12/594
D312,231 S	*	11/1990	Guspodin	D12/147
D351,369 S		10/1994	Hitzky et al.	D12/147
D380,998 S		7/1997	Lassan et al.	D12/146
D388,040 S	*	12/1997	De Barsy	D12/574
D392,605 S		3/1998	Le et al.	D12/146
D410,420 S	*	6/1999	De Barsy	D12/600
D432,959 S		10/2000	Lopez	D12/143
D432,962 S		10/2000	Lopez	D12/147
D444,424 S	*	7/2001	Habay	D12/588

FOREIGN PATENT DOCUMENTS

DE M 93 08 066 * 9/1994

OTHER PUBLICATIONS

Eldorado XR4 A/S P-Metric Tire, 2000 Tread Design Guide, Jan. 2000, p. 28. 2/5.*

Goodyear Eagle GA Tire, 2000 Tread Design Guide, Jan. 2000, p. 34. 4/3.*

Hood Winter King Tire, 2000 Tread Design Guide, Jan. 2000, p. 39. 2/3.*

Medalist Winter King Tire, 2000 Tread Design Guide, Jan. 2000, p. 46. 2/3.*

Shell Pacemark Metric SR Tire, 2000 Tread Design Guide, Jan. 2000, p. 63. 1/1.*

Sigma Shadow Tire, 2000 Tread Design Guide, Jan. 2000, p. 63. 3/1.*

Woosung SM-705 Tire, 2000 Tread Design Guide, Jan. 2000, p. 74. 2/4.*

Republic Highliner Premium Hwy Tire, 2000 Tread Design Guide, Jan. 2000, p. 109. 1/2.*

Sigma Boat Trailer Tire, 2000 Tread Design Guide, Jan. 2000, p. 111. 4/1.*

* cited by examiner

Primary Examiner—Robert M. Spear

(74) *Attorney, Agent, or Firm*—Baker Botts L.L.P.

(57)

CLAIM

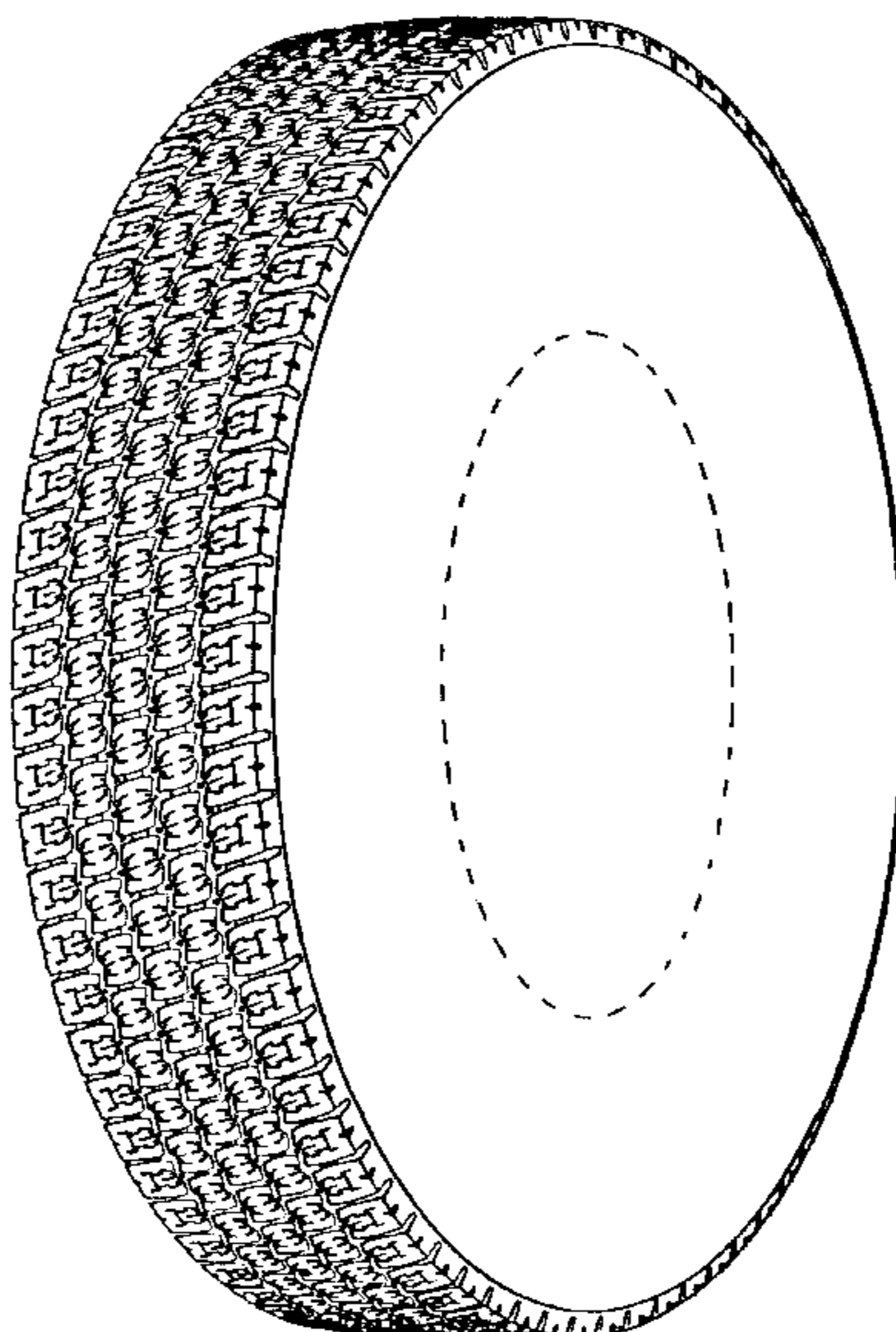
The ornamental design for a tread of a tire, as shown and described.

DESCRIPTION

FIG. 1 is a perspective view of a tread of a tire of the present invention, it being understood that the pattern is repeated uniformly throughout the circumference of the tread; and, FIG. 2 is an elevational view of the tread of the tire tread shown in FIG. 1.

The broken lines showing the inner bead in FIG. 1 and the sidewalls in FIG. 2 are for illustrative purposes only and form no part of the claimed design.

1 Claim, 2 Drawing Sheets



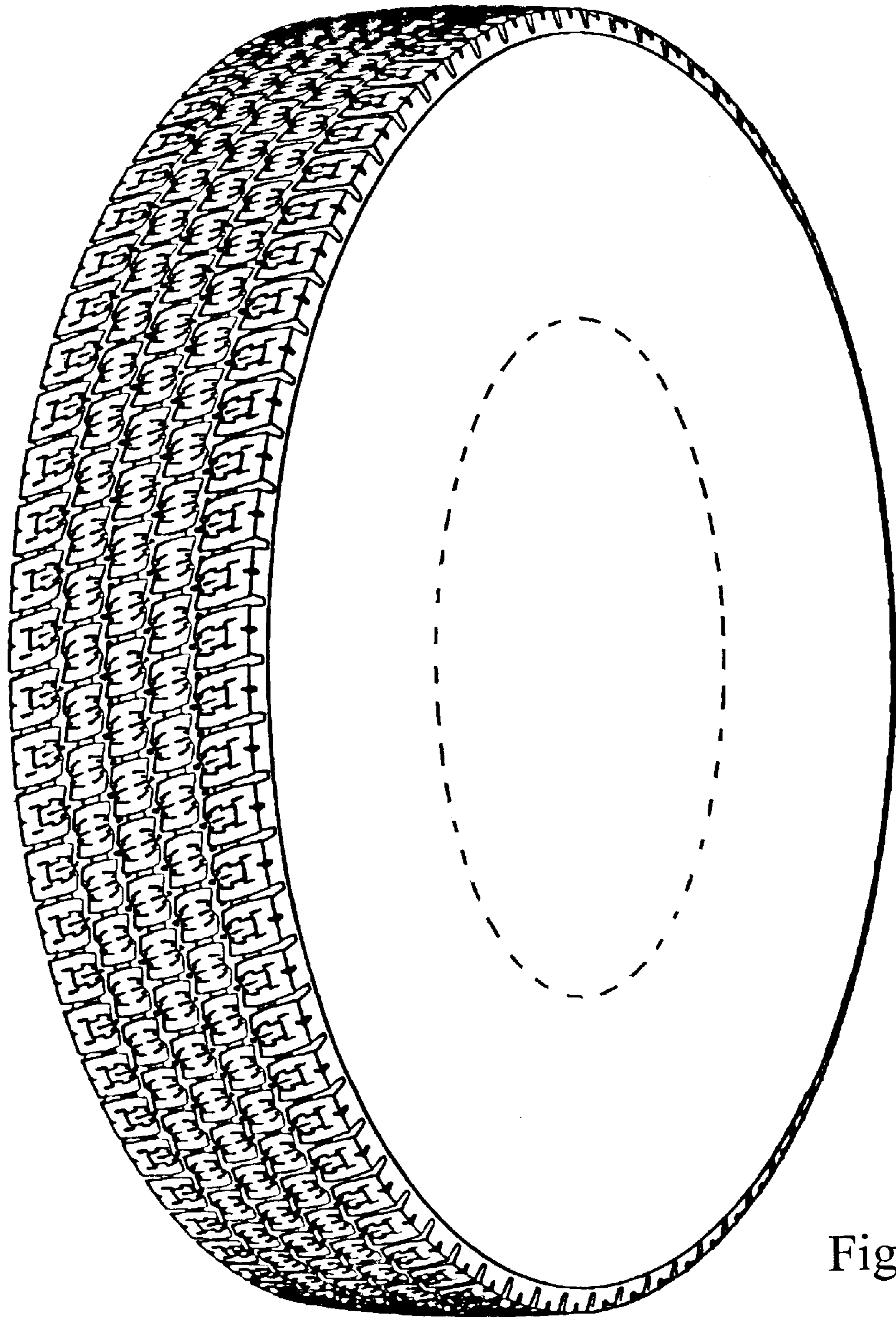


Figure 1

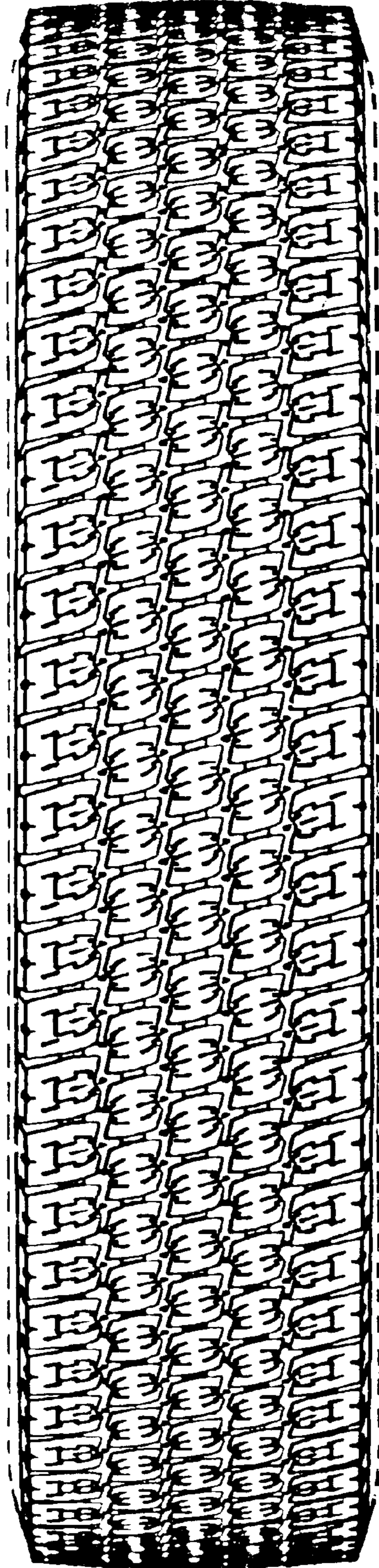


Figure 2