



US00D457848S

(12) **United States Design Patent**  
**Lee**

(10) **Patent No.:** **US D457,848 S**

(45) **Date of Patent:** **\*\* May 28, 2002**

(54) **AUTOMOTIVE WHEEL**

(75) **Inventor:** **Mal Hoe Lee**, Torrance, CA (US)

(73) **Assignee:** **Kaizer Motor Sports Co.**, Carson, CA (US)

(\*\*) **Term:** **14 Years**

(21) **Appl. No.:** **29/146,156**

(22) **Filed:** **Aug. 6, 2001**

(51) **LOC (7) Cl.** ..... **12-16**

(52) **U.S. Cl.** ..... **D12/209**

(58) **Field of Search** ..... D12/204-211;  
301/37.1, 64.1, 65

(56) **References Cited**

**U.S. PATENT DOCUMENTS**

- D419,941 S \* 2/2000 Chung ..... D12/209
- D430,527 S \* 9/2000 Noriega ..... D12/211
- D432,971 S \* 10/2000 Donikoglu ..... D12/209

- D433,375 S \* 11/2000 Fitzgerald ..... D12/209
- D438,166 S \* 2/2001 Noreiga ..... D12/211
- D442,535 S \* 5/2001 Lotson ..... D12/209

\* cited by examiner

*Primary Examiner*—Stacia Cadmus

(74) *Attorney, Agent, or Firm*—G. Donald Weber, Jr.

(57) **CLAIM**

The ornamental design for an automotive wheel, as shown and described.

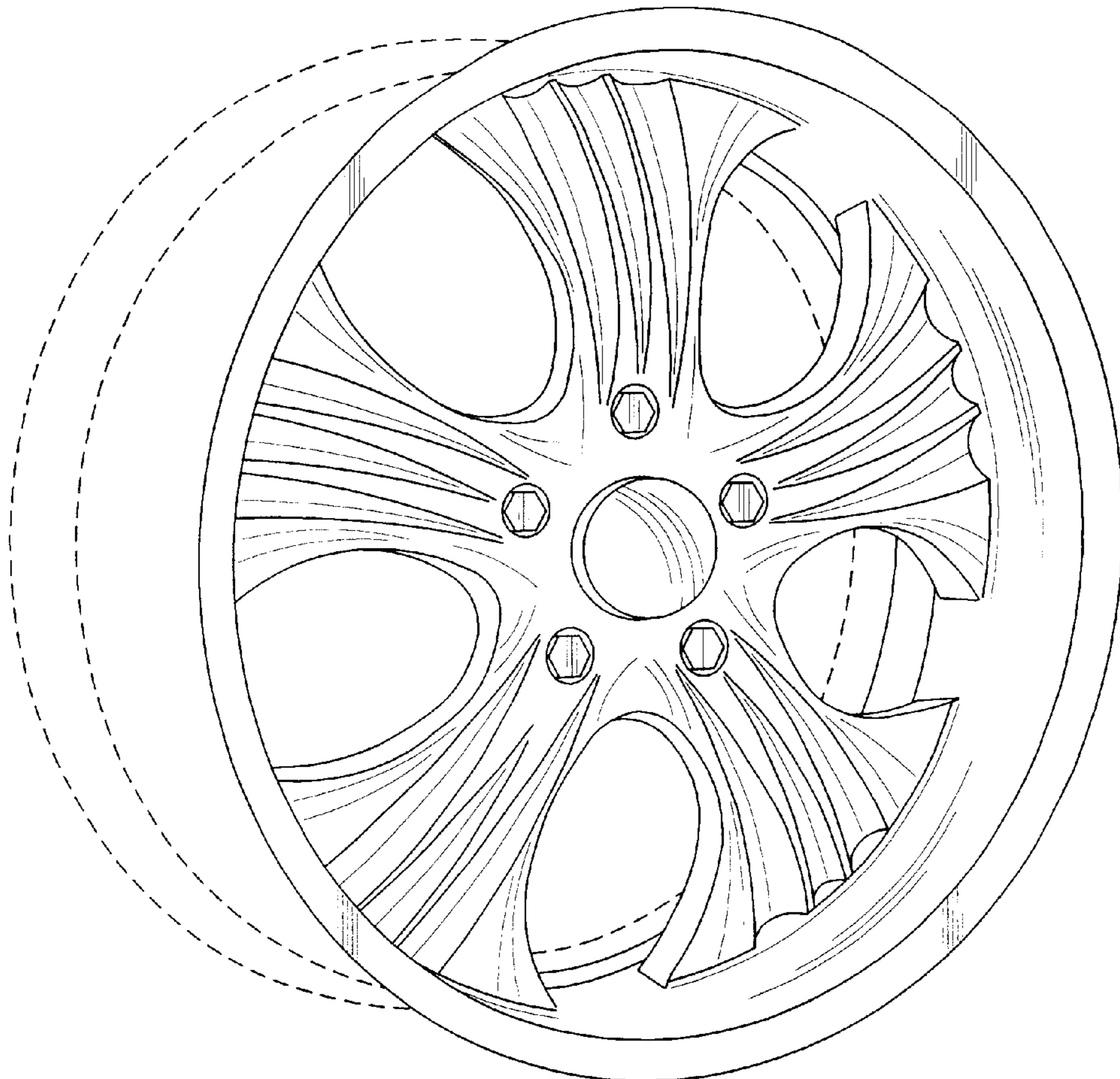
**DESCRIPTION**

FIG. 1 is an oblique view of the automotive wheel of the instant invention; and,

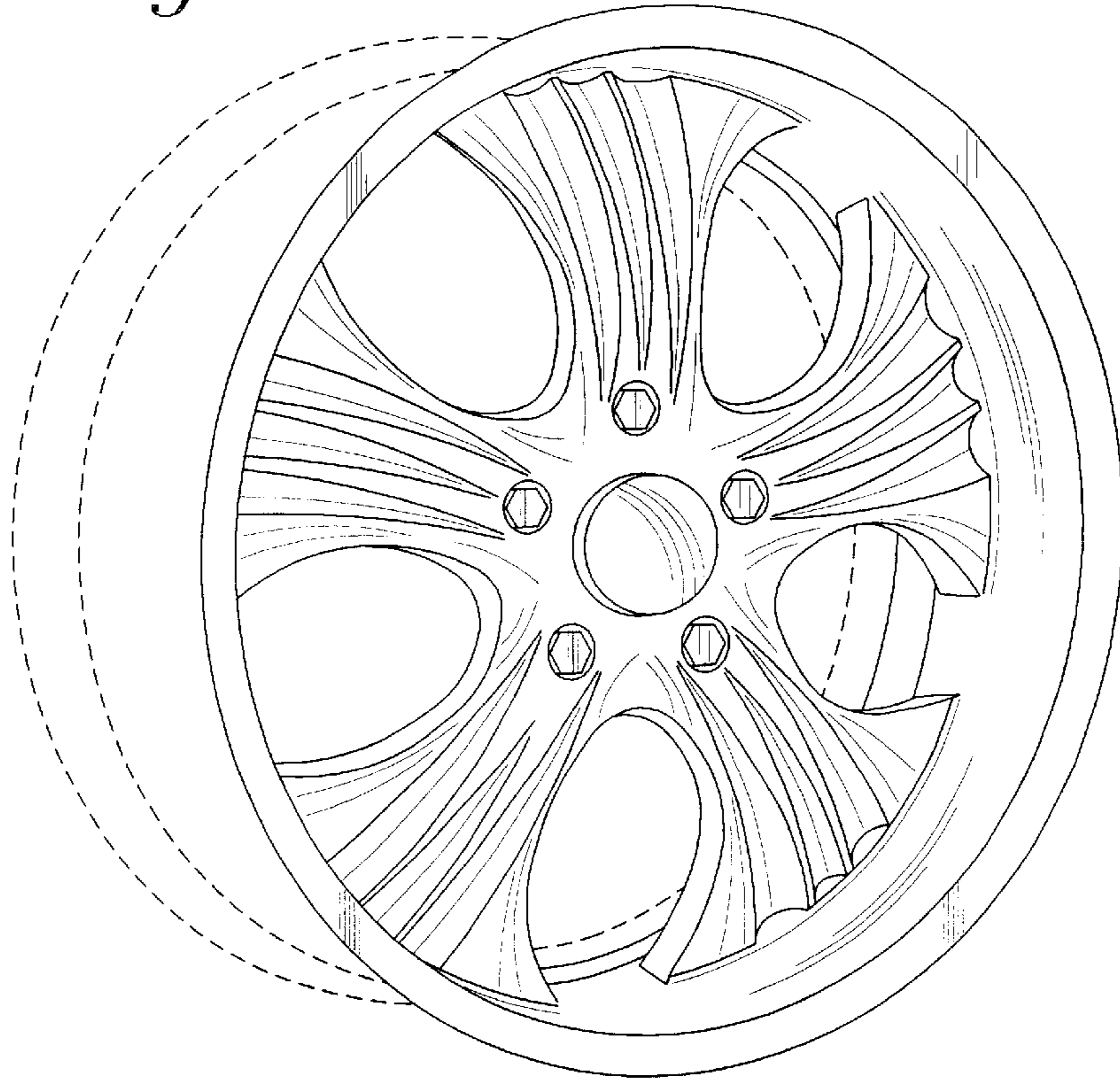
FIG. 2 is a side elevation view of the automotive wheel of the instant invention.

The broken line showing of environment is for illustrative purposes only and forms no part of the claimed design.

**1 Claim, 1 Drawing Sheet**



*Fig. 1*



*Fig. 2*

