



US00D457847S

(12) **United States Design Patent**
Neeper

(10) **Patent No.:** **US D457,847 S**

(45) **Date of Patent:** **** May 28, 2002**

(54) **VEHICLE-WHEEL FRONT FACE**

(75) Inventor: **Mark D. Neeper**, Denver, CO (US)

(73) Assignee: **Mobile Hi-Tec Wheels**, La Palma, CA (US)

(**) Term: **14 Years**

(21) Appl. No.: **29/137,341**

(22) Filed: **Feb. 16, 2001**

(51) **LOC (7) Cl.** **12-16**

(52) **U.S. Cl.** **D12/209**

(58) **Field of Search** D12/204-211;
301/37.1, 64.1, 65

D419,941 S * 2/2000 Chung D12/209
D443,579 S * 6/2001 Herrera D12/209
D448,711 S * 10/2001 Pusdesris D12/209
D451,464 S * 12/2001 Bernoni D12/209

* cited by examiner

Primary Examiner—Stacia Cadmus

(74) *Attorney, Agent, or Firm*—Christie, Parker & Hale, LLP

(57) **CLAIM**

The ornamental design for a vehicle-wheel front face, as shown and described.

DESCRIPTION

FIG. 1 is a perspective view of a vehicle-wheel front face according to my new design;

FIG. 2 is a front elevational view thereof; and,

FIG. 3 is a side elevational view thereof, taken from the left side of FIG. 2.

Portions of the wheel depicted in broken line are for illustrative purposes only, and form no part of the claimed design.

(56) **References Cited**

U.S. PATENT DOCUMENTS

D208,541 S * 9/1967 Rader D12/211
D219,871 S * 2/1971 Griffith D12/209
D378,670 S * 4/1997 Echazabal et al. D12/209
D391,913 S * 3/1998 Chung D12/209
D396,839 S * 8/1998 Cullen D12/211
D409,967 S * 5/1999 Chung D12/209

1 Claim, 3 Drawing Sheets

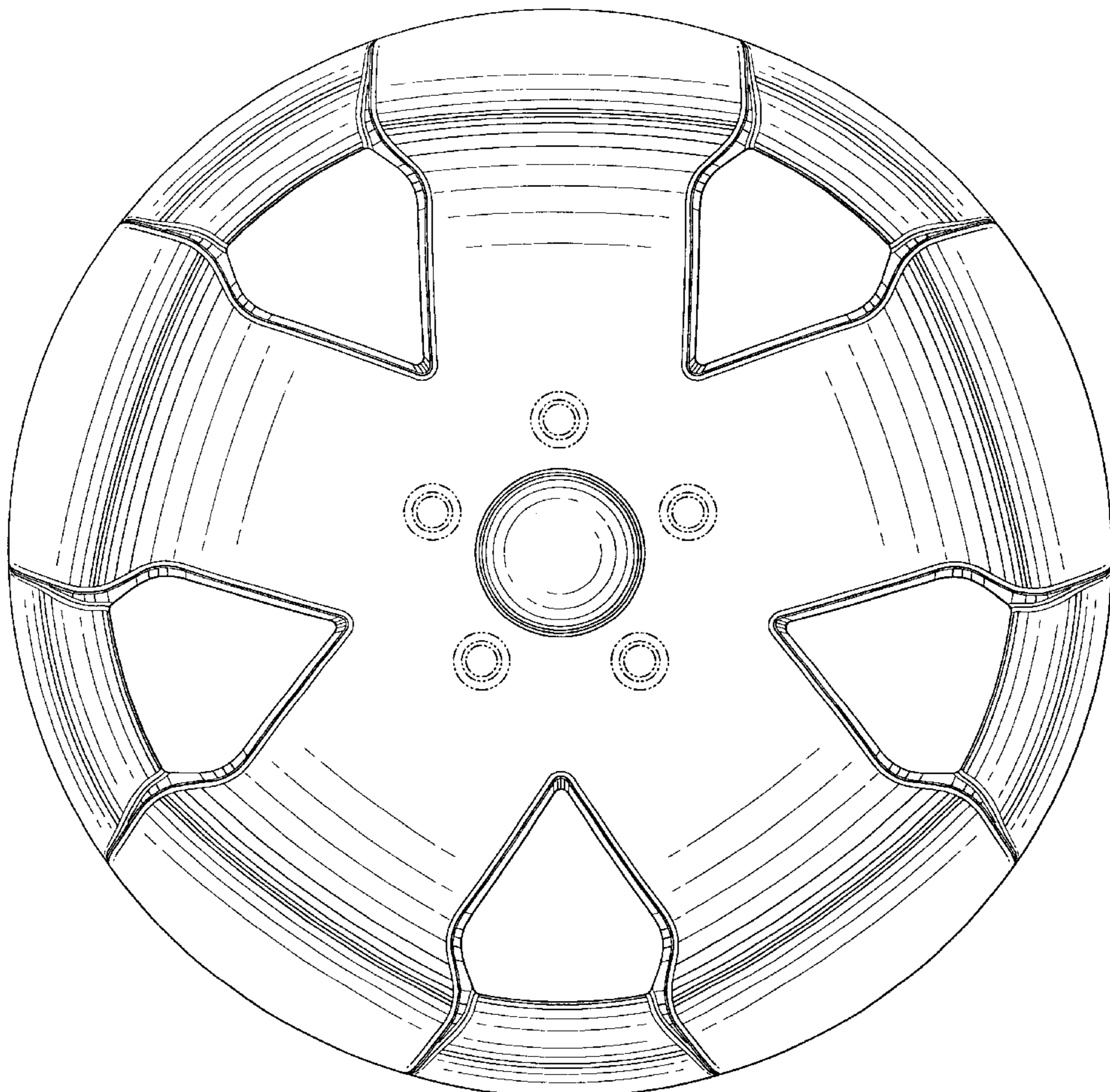


FIG. 1

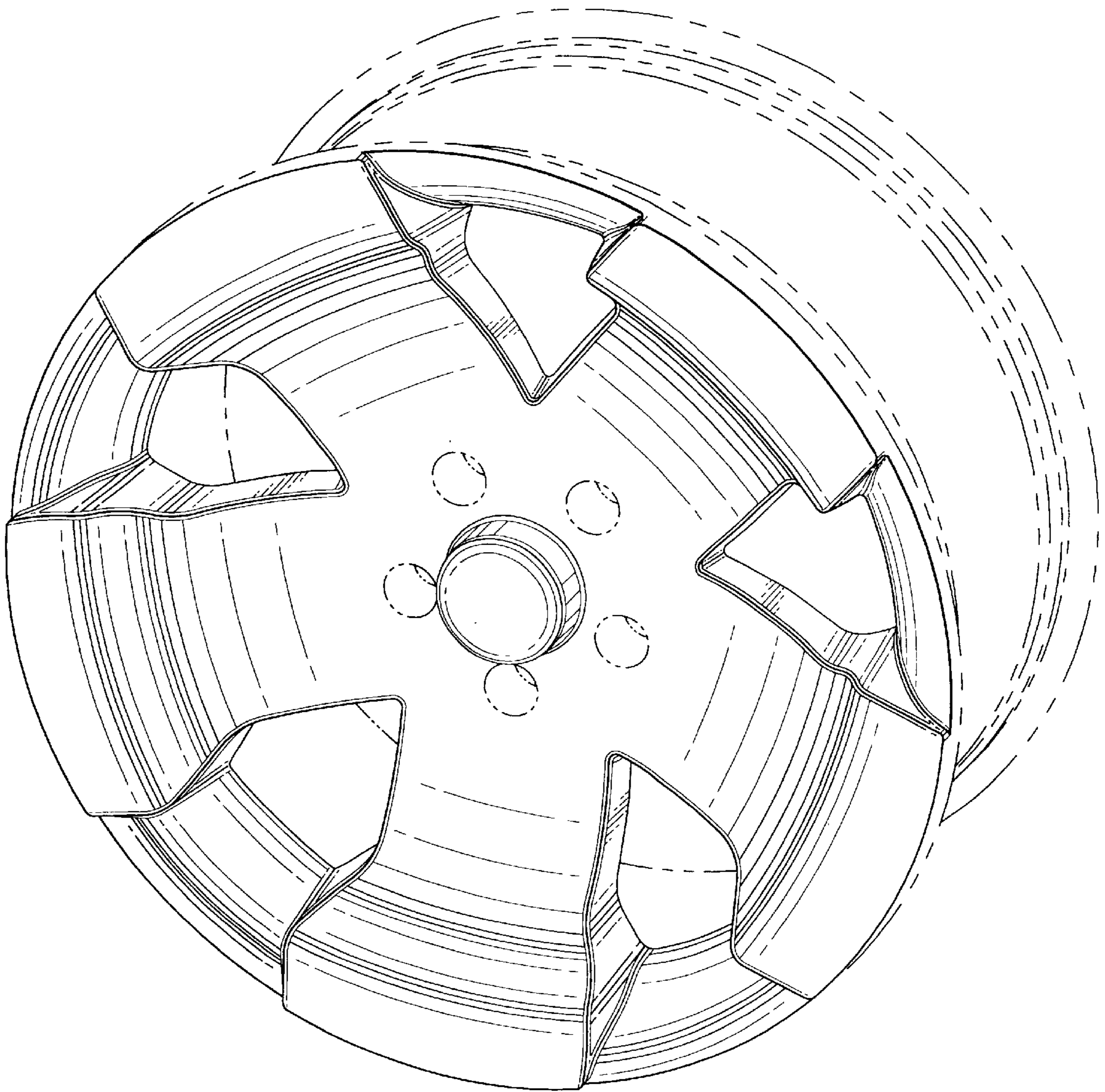


FIG. 2

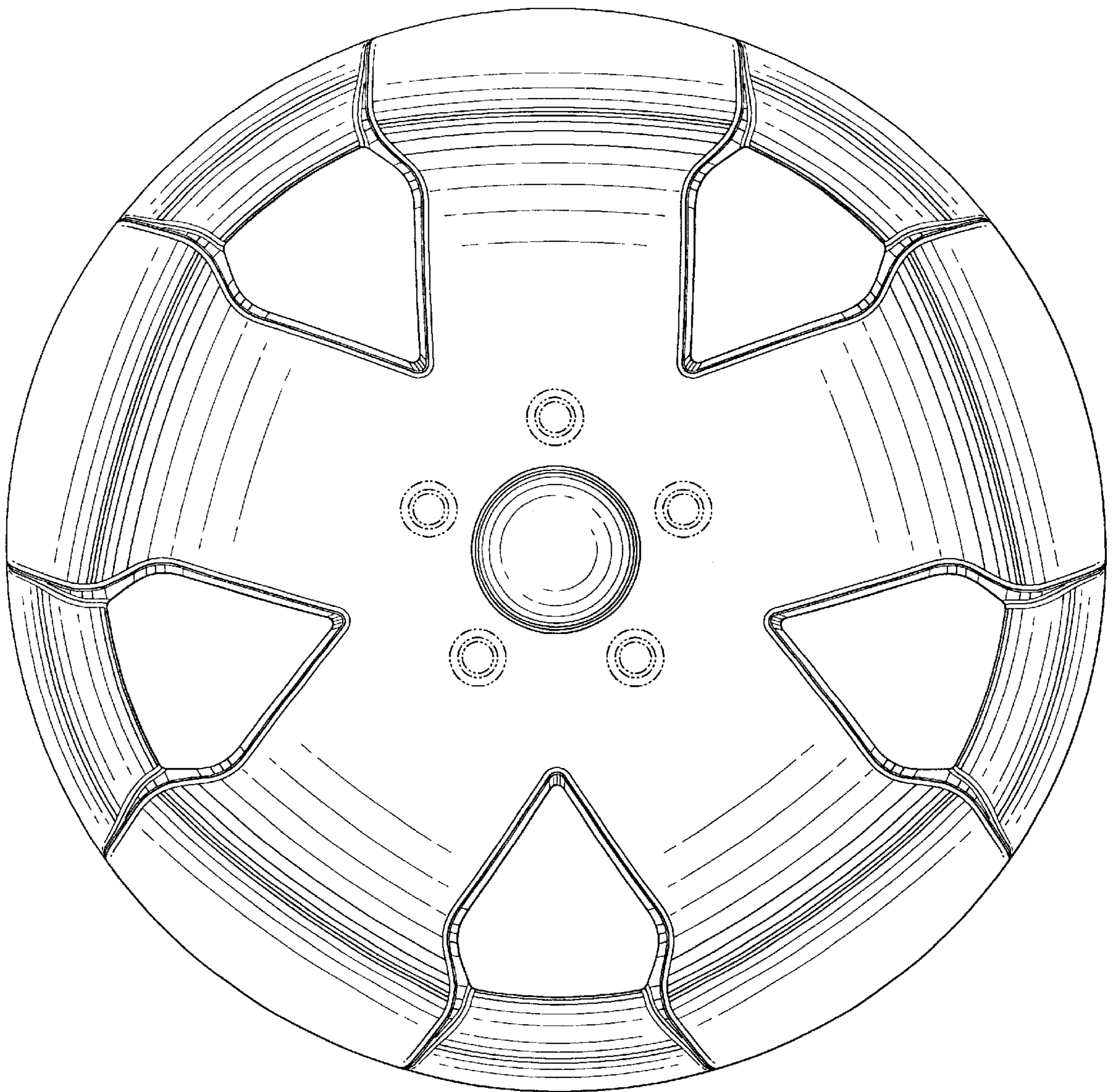


FIG. 3

