



US00D457844S

(12) **United States Design Patent**
Linson et al.

(10) **Patent No.:** **US D457,844 S**

(45) **Date of Patent:** **** May 28, 2002**

(54) **VEHICLE LIFTGLASS ASSEMBLY**

D447,093 S * 8/2001 Faurote et al. D12/90

* cited by examiner

(75) Inventors: **Phillip Joseph Linson**, Commerce Township; **Lynn David Dadeppo**, Bloomfield Hills; **Pasquale Lalama**, Sterling Heights; **A. Michael Paiva**, Novi; **Rakesh Sehgal**, Troy, all of MI (US)

Primary Examiner—Melody N. Brown
(74) *Attorney, Agent, or Firm*—Gigette Bejin

(57) **CLAIM**

The ornamental design for a vehicle liftglass assembly, as shown and described.

(73) Assignee: **Ford Global Technologies, Inc.**, Dearborn, MI (US)

DESCRIPTION

(**) Term: **14 Years**

FIG. 1 is rear-quarter view in perspective of vehicle liftglass assembly in accordance with the invention for closing an opening in the body of a motor vehicle;
FIG. 2 is a top plan view of the vehicle liftglass assembly of FIG. 1;
FIG. 3 is a rear elevational view of the vehicle liftglass assembly of FIG. 1;
FIG. 4 is a side elevational view of the vehicle liftglass assembly of FIG. 1 (the other side elevational view being a mirror image hereof);
FIG. 5 is a bottom view of the vehicle liftglass assembly of FIG. 1; and,
FIG. 6 is an interior elevational view of the vehicle liftglass assembly of FIG. 1.

(21) Appl. No.: **29/145,407**

(22) Filed: **Jul. 23, 2001**

(51) **LOC (7) Cl.** **12-16**

(52) **U.S. Cl.** **D12/196**

(58) **Field of Search** D12/196, 90, 91;
296/185

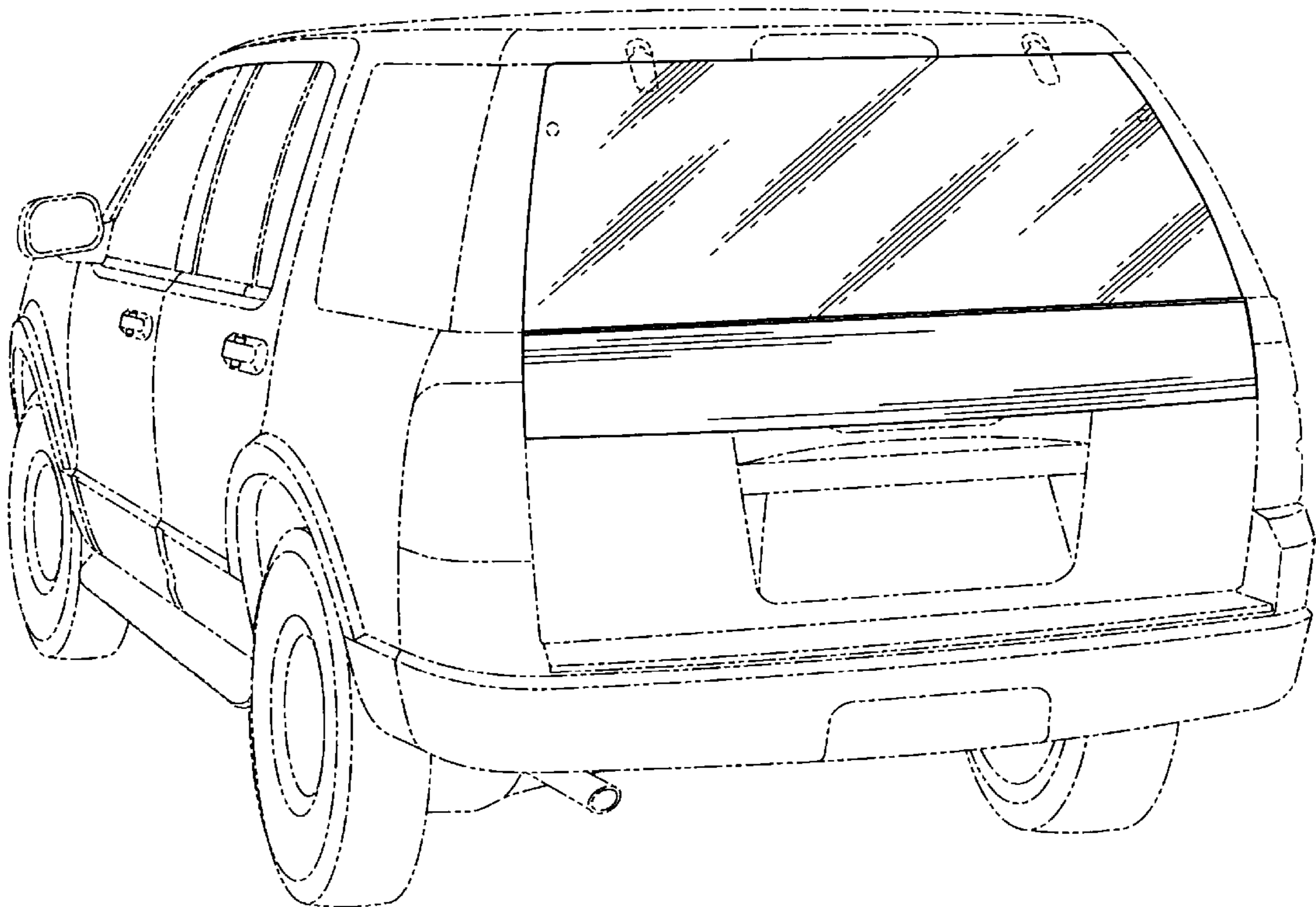
Broken lines are used in the Drawings to denote certain subject matter, for example, environmental structure or boundaries, that form no part of the design to be patented.

(56) **References Cited**

U.S. PATENT DOCUMENTS

- D421,949 S * 3/2000 Shimazu D12/196
- D425,003 S * 5/2000 Gabath D12/196
- D441,691 S * 5/2001 Pfeiffer et al. D12/90
- D445,747 S * 7/2001 Martin et al. D12/196
- D446,167 S * 8/2001 Faurote et al. D12/91

1 Claim, 4 Drawing Sheets



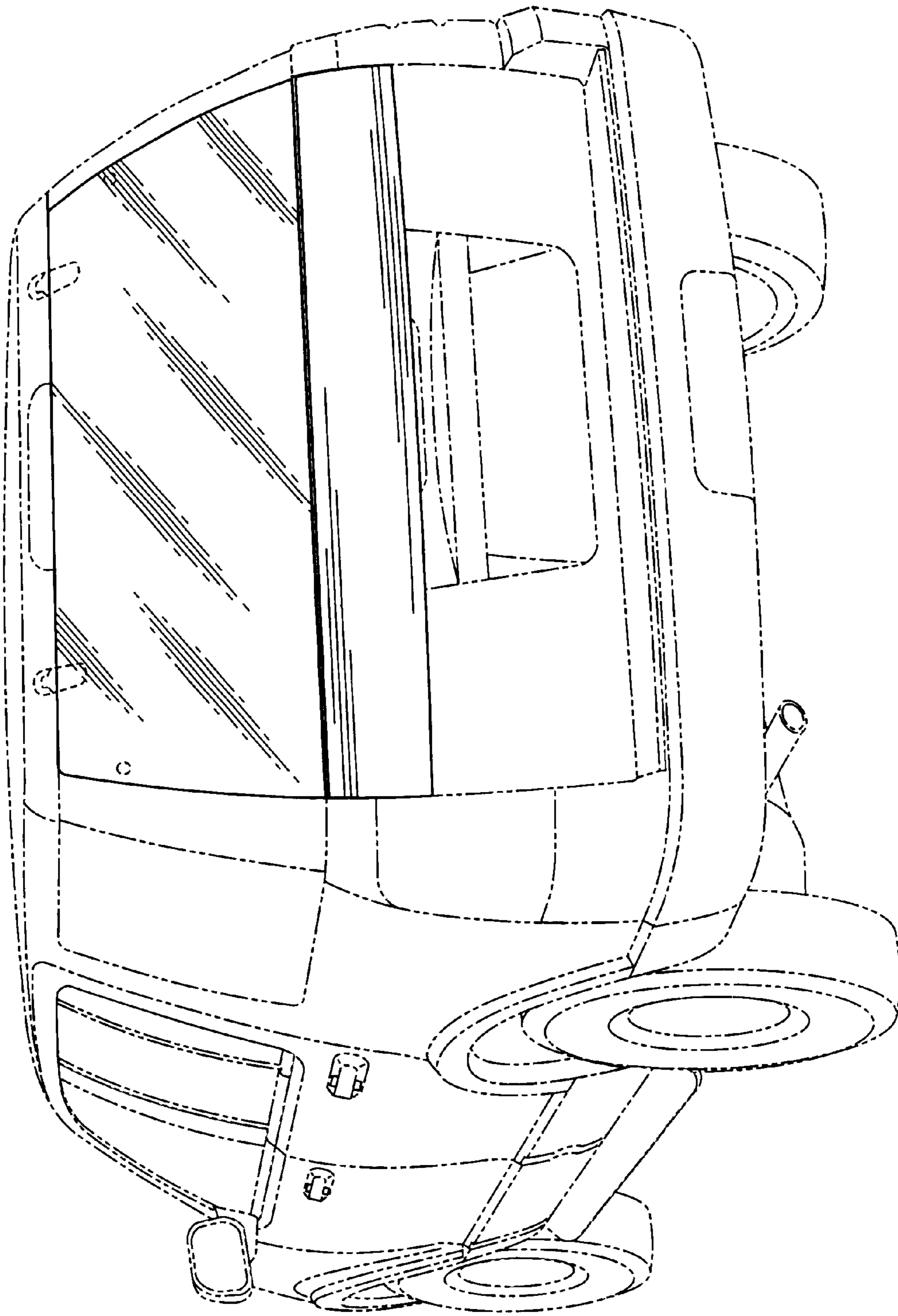


Fig. 1

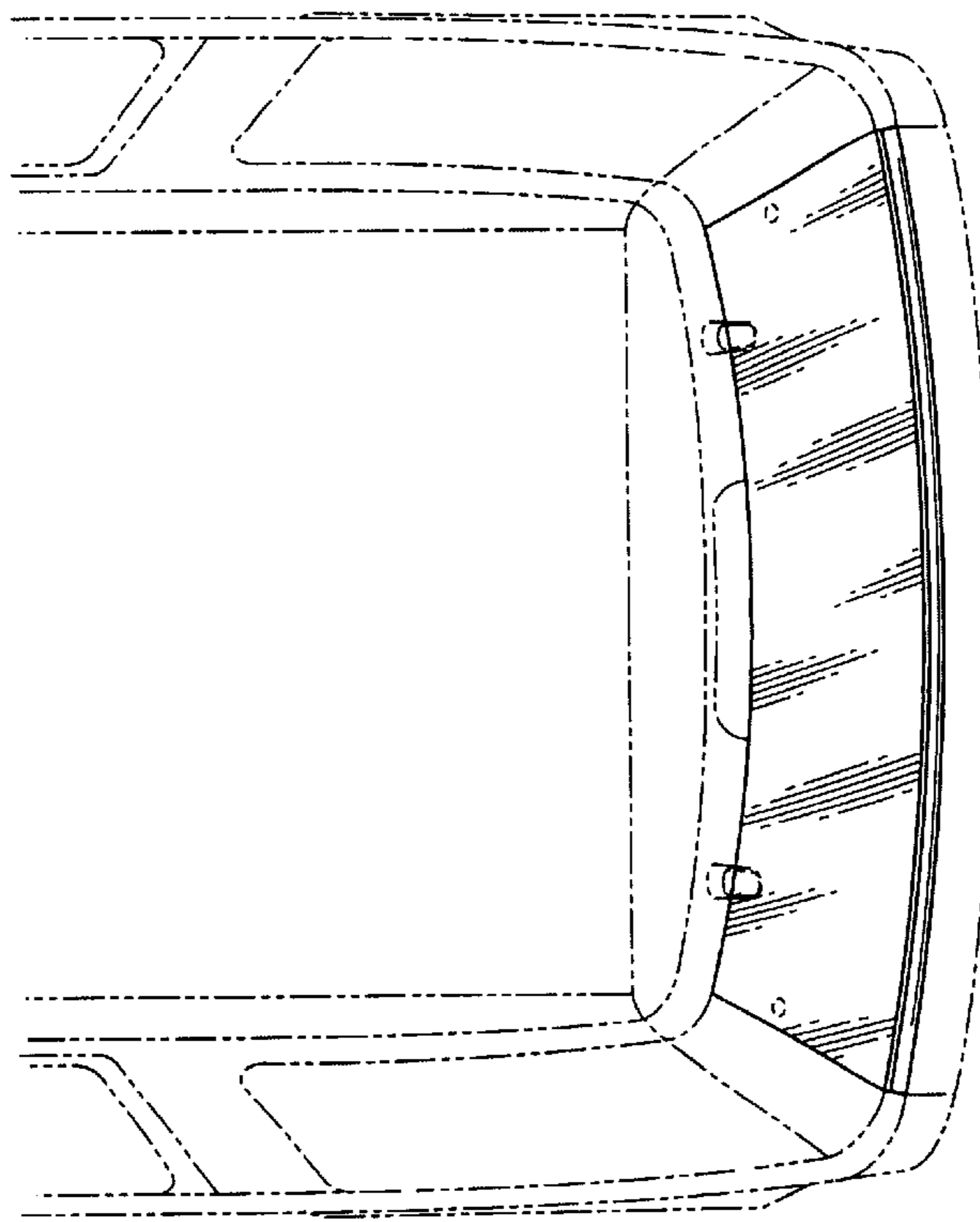


Fig. 2

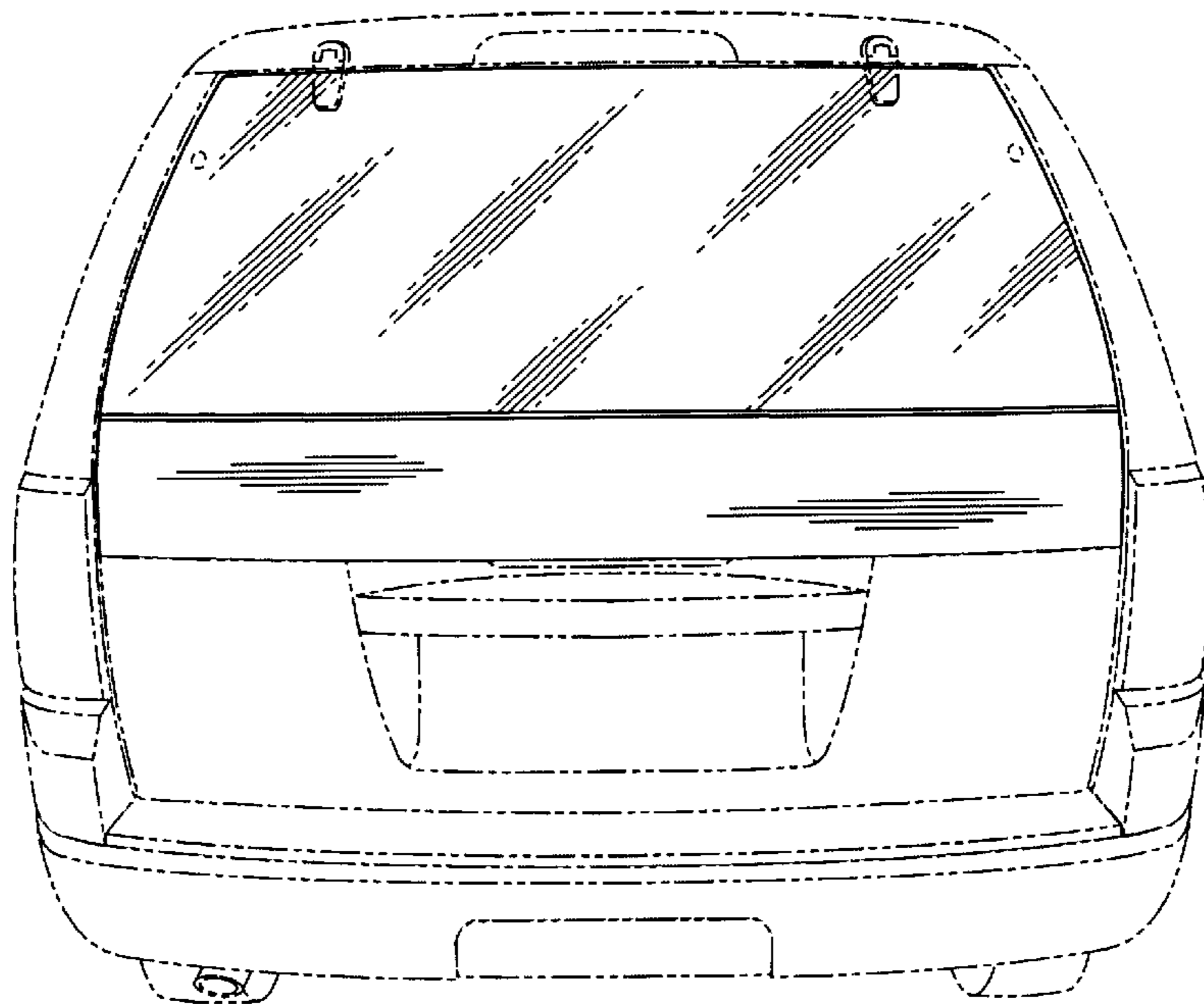


Fig. 3

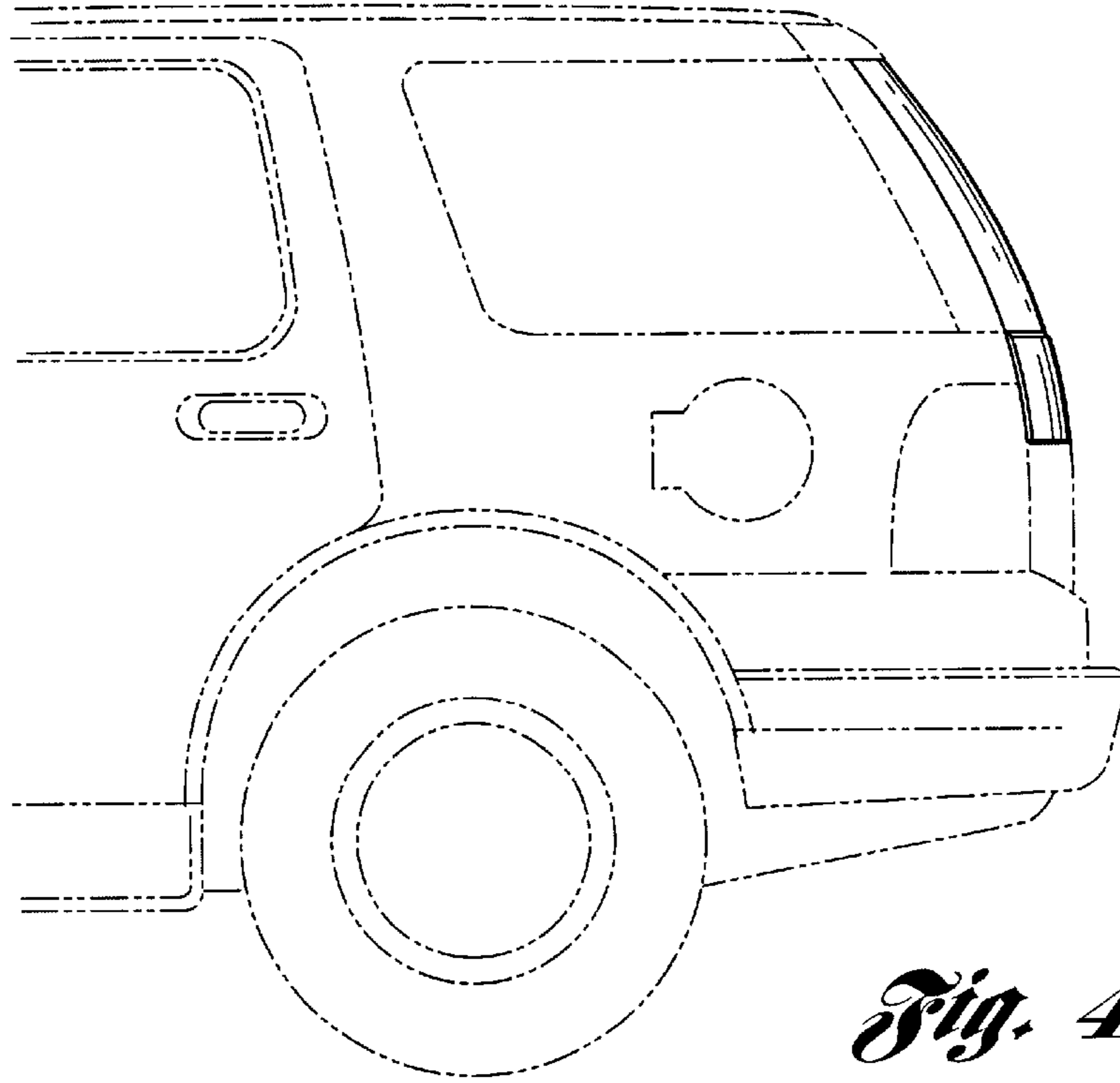


Fig. 4

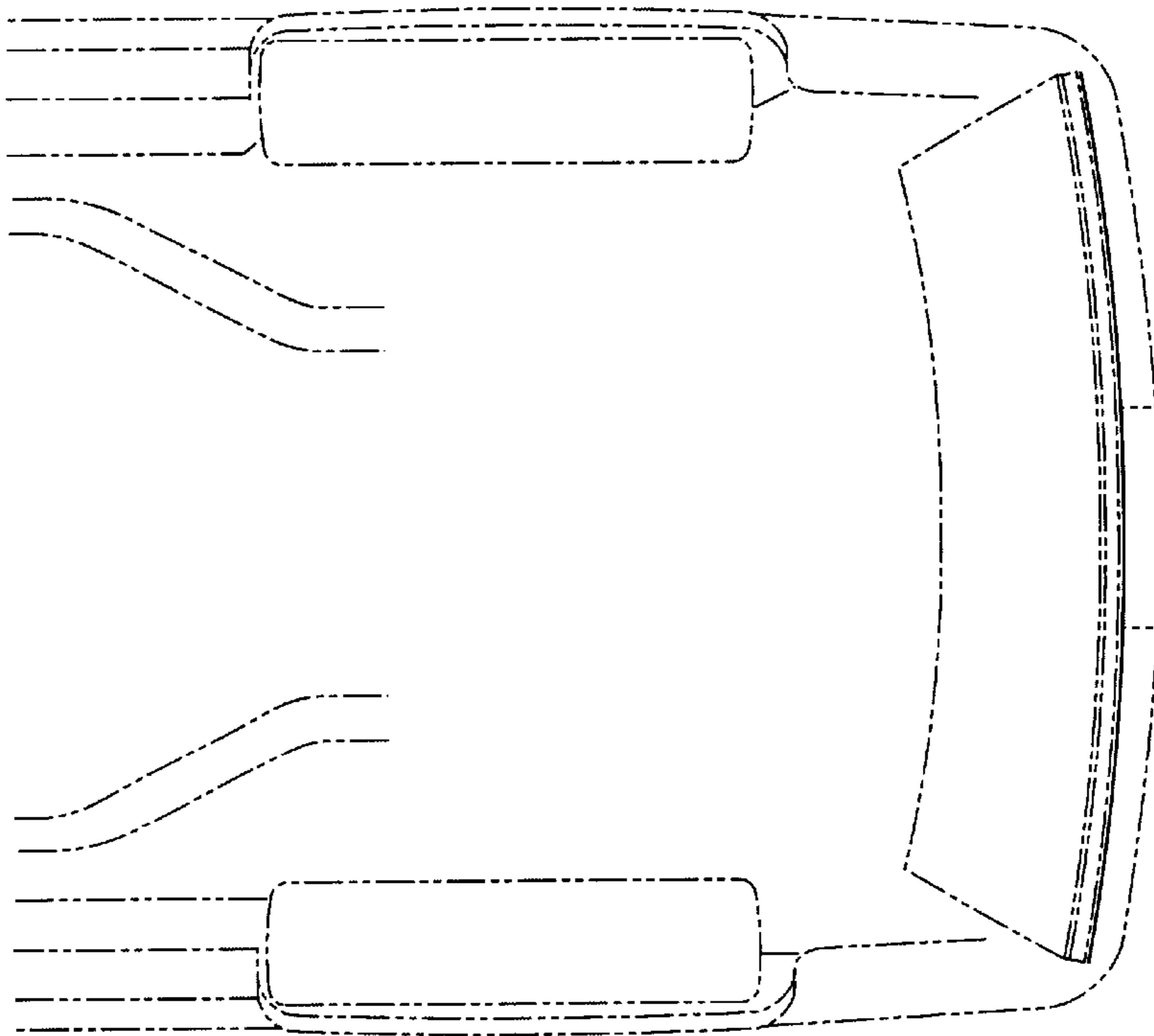


Fig. 5

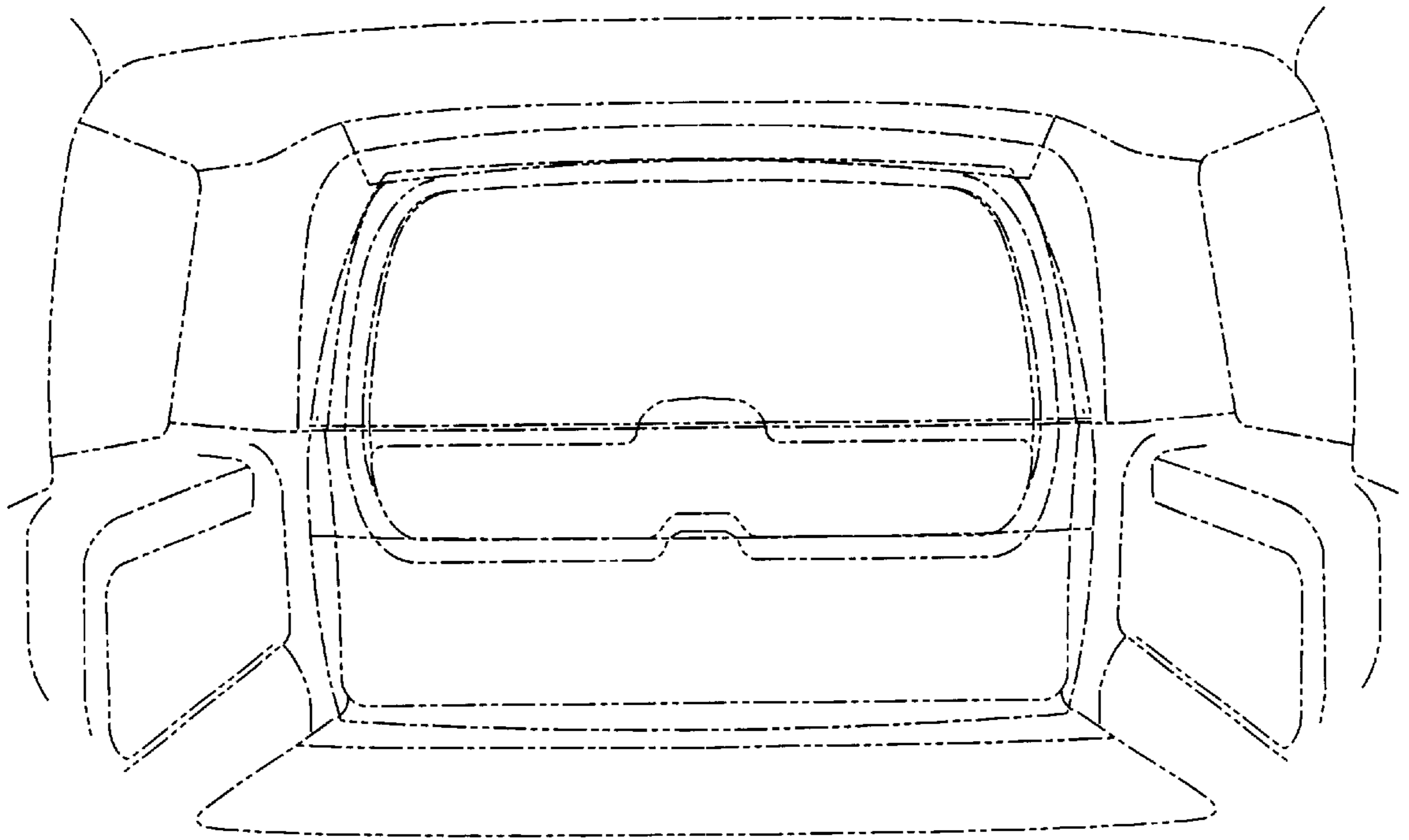


Fig. 6