



US00D457834S

(12) **United States Design Patent**
Morita

(10) **Patent No.:** **US D457,834 S**

(45) **Date of Patent:** **** May 28, 2002**

(54) **MAGNETIC FASTENER UNIT**

D401,889 S * 12/1998 Wong D11/220
D432,400 S * 10/2000 Chan D11/200
6,131,247 A 10/2000 Morita

(76) Inventor: **Tamao Morita**, 47-1, Arakawa,
6-Chome, Arakawa-ku, Tokyo 116 (JP)

* cited by examiner

(**) Term: **14 Years**

Primary Examiner—Louis S. Zarfes
Assistant Examiner—Barbara Wyatt Crawford
(74) *Attorney, Agent, or Firm*—Patton Boggs LLP

(21) Appl. No.: **29/129,779**

(22) Filed: **Sep. 22, 2000**

(57) **CLAIM**

(51) **LOC (7) Cl.** **02-07**

The ornamental design for a magnetic fastener unit, as shown and described.

(52) **U.S. Cl.** **D11/220**

(58) **Field of Search** D11/200, 201,
D11/202, 205, 220, 231; D8/349, 382;
292/251.5; 24/303, 687, 688, 689

DESCRIPTION

(56) **References Cited**

U.S. PATENT DOCUMENTS

4,700,436 A	10/1987	Morita	
D294,810 S	* 3/1988	Morita D11/200
4,941,235 A	* 7/1990	Aoki 292/251.05
B14,453,294 A	5/1991	Morita	
5,125,134 A	6/1992	Morita	
5,152,035 A	10/1992	Morita	
5,199,138 A	4/1993	Morita	
D335,266 S	* 5/1993	Morita D11/200
5,253,394 A	10/1993	Morita	
5,274,889 A	1/1994	Morita	
5,377,392 A	1/1995	Morita	
D375,061 S	* 10/1996	Morita D11/220
5,707,091 A	1/1998	Morita	

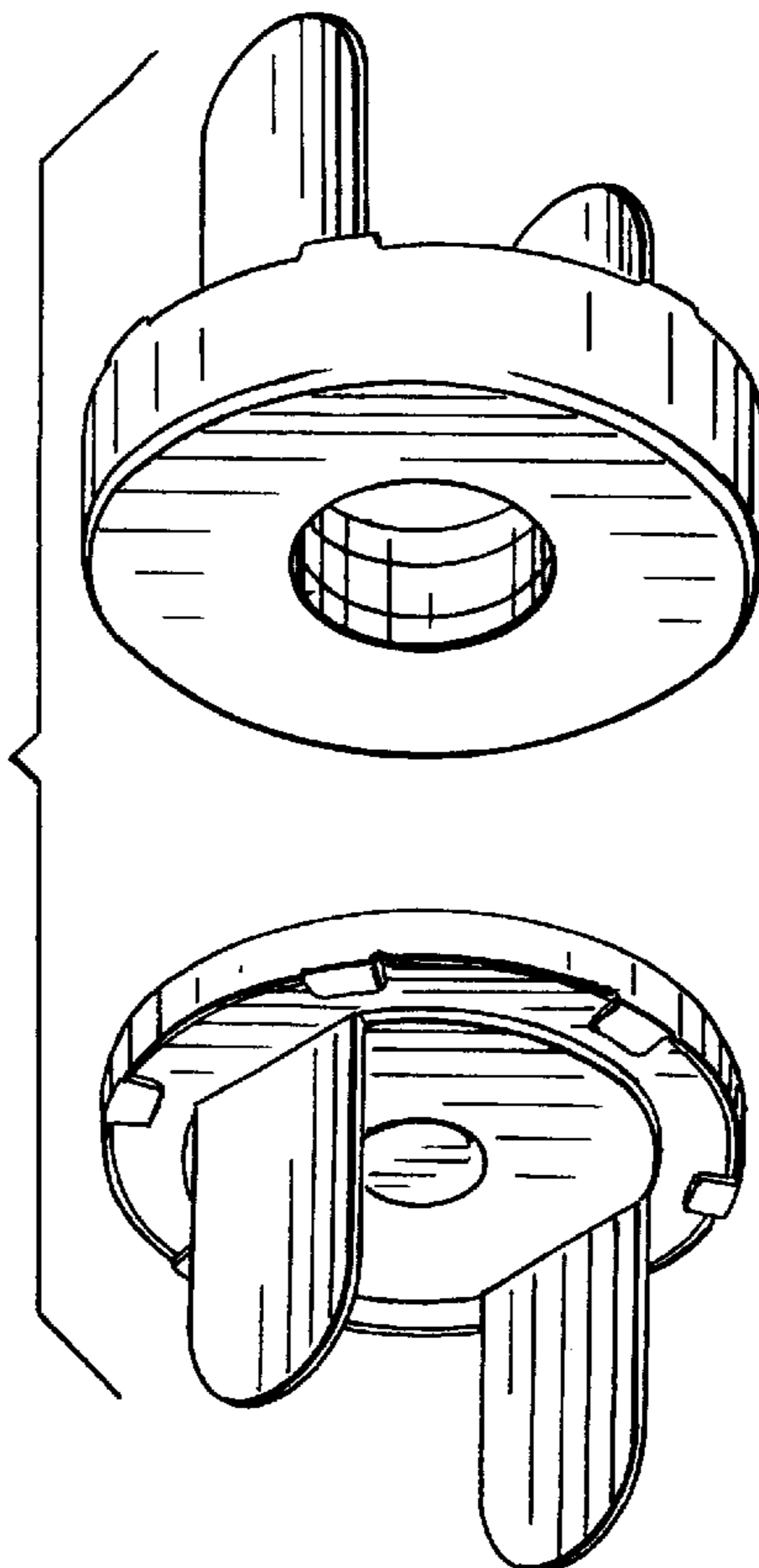
FIG. 1 is a bottom isometric view of the male fastener and the female fastener of an exploded magnetic fastener unit in their separated or detached position with female fastener member overlying the male fastener member.

FIG. 2 is a bottom isometric view of the male fastener and the female fastener of the magnetic fastener unit of FIG. 1 in their attracted or fastened position;

FIG. 3 is a top isometric view of the male fastener and the female fastener of an exploded magnetic fastener unit in their separated or detached position with the female member overlying the male fastener member; and,

FIG. 4 is a top isometric view of the male fastener and the female fastener of the magnetic fastener unit of FIG. 3 in their attracted or fastened position.

1 Claim, 1 Drawing Sheet



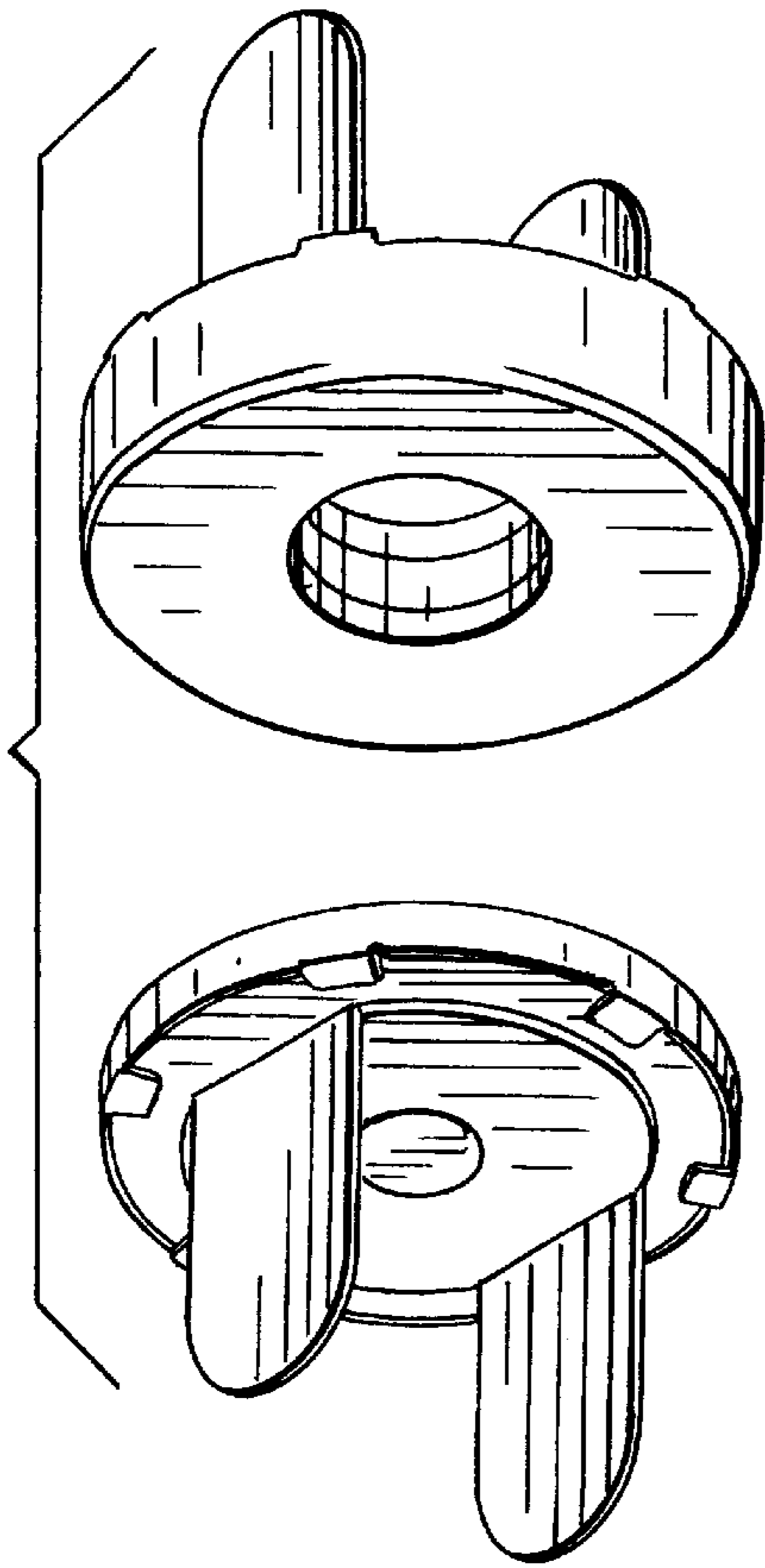


Fig.1

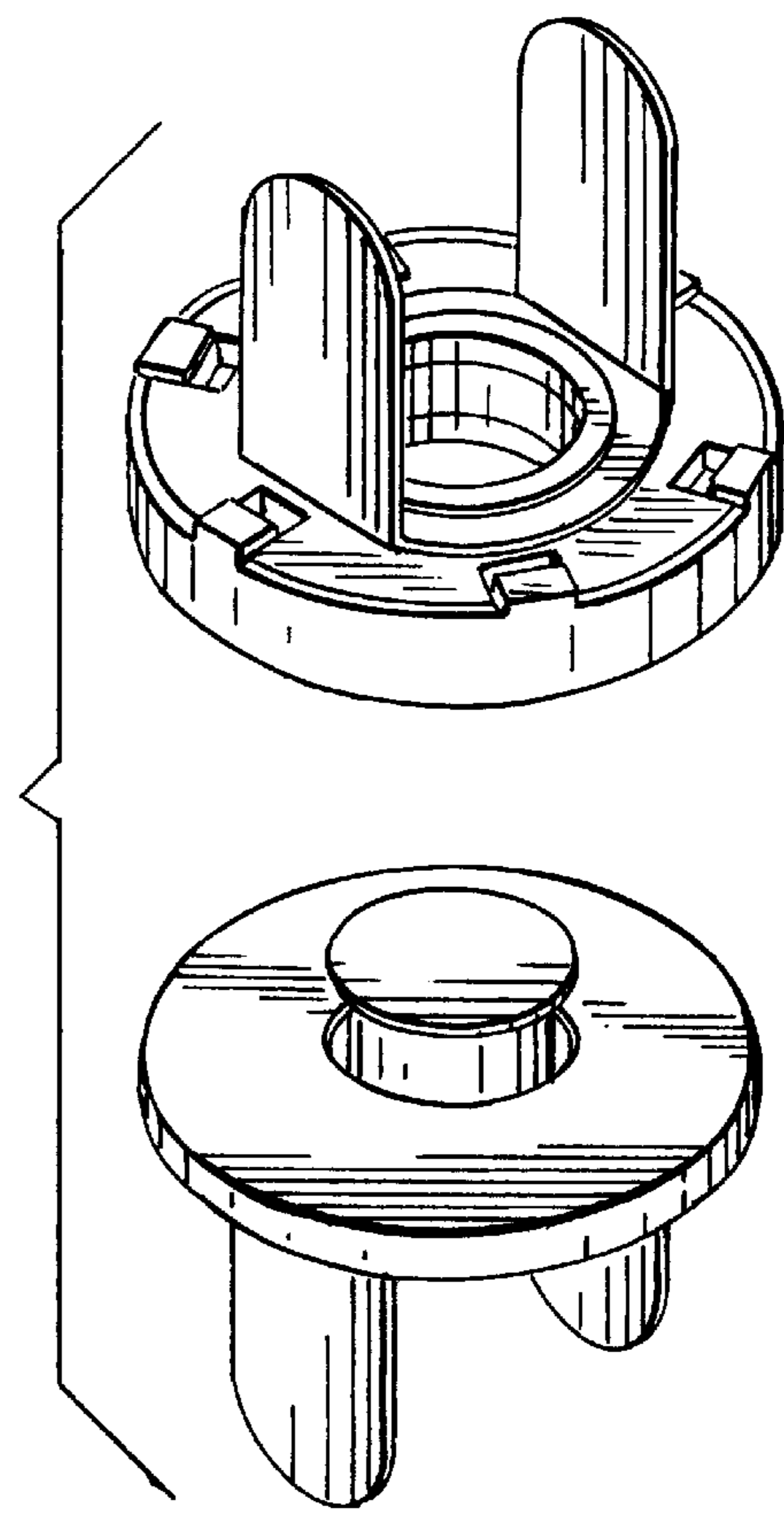


Fig.3

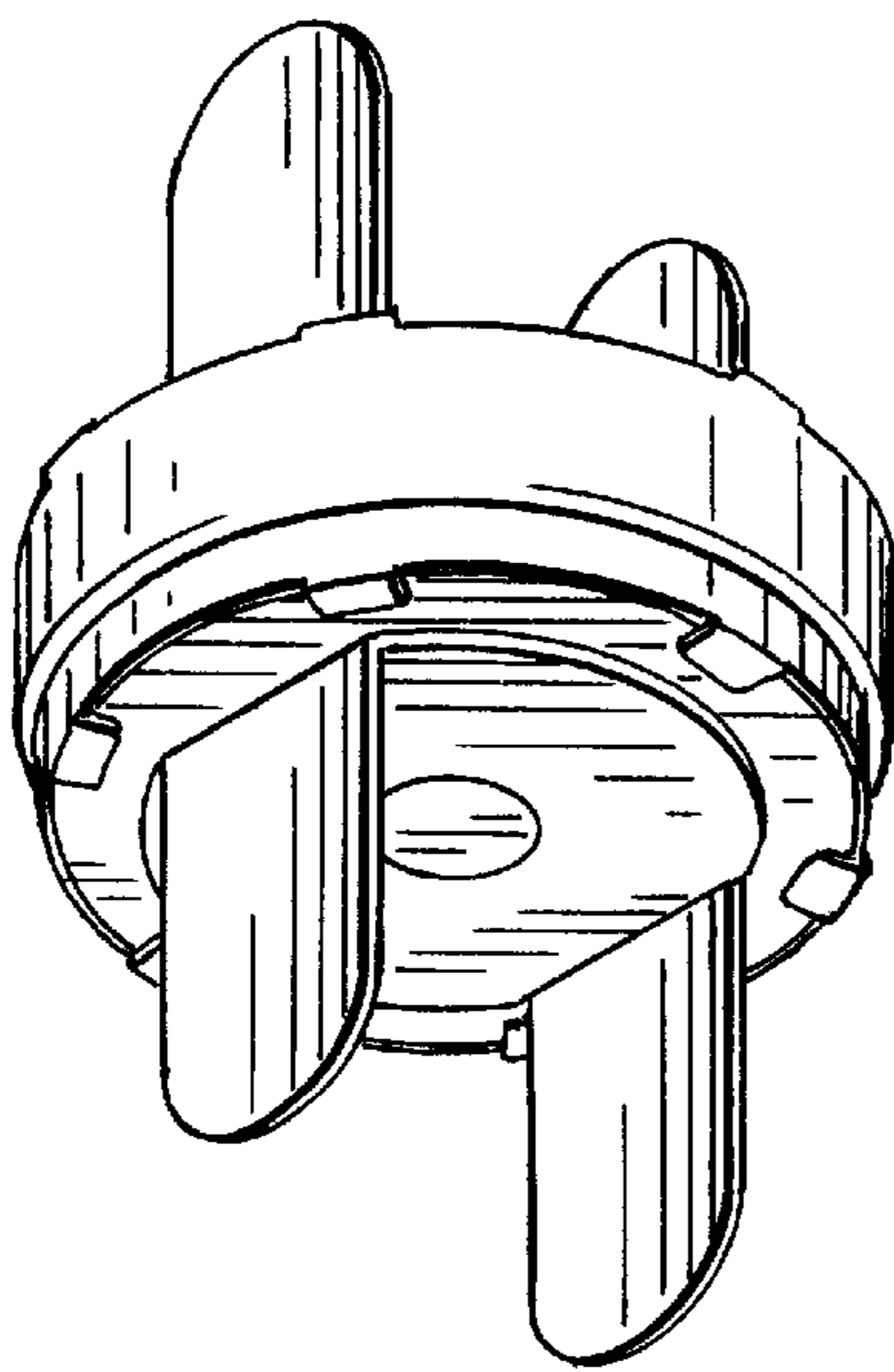


Fig.2

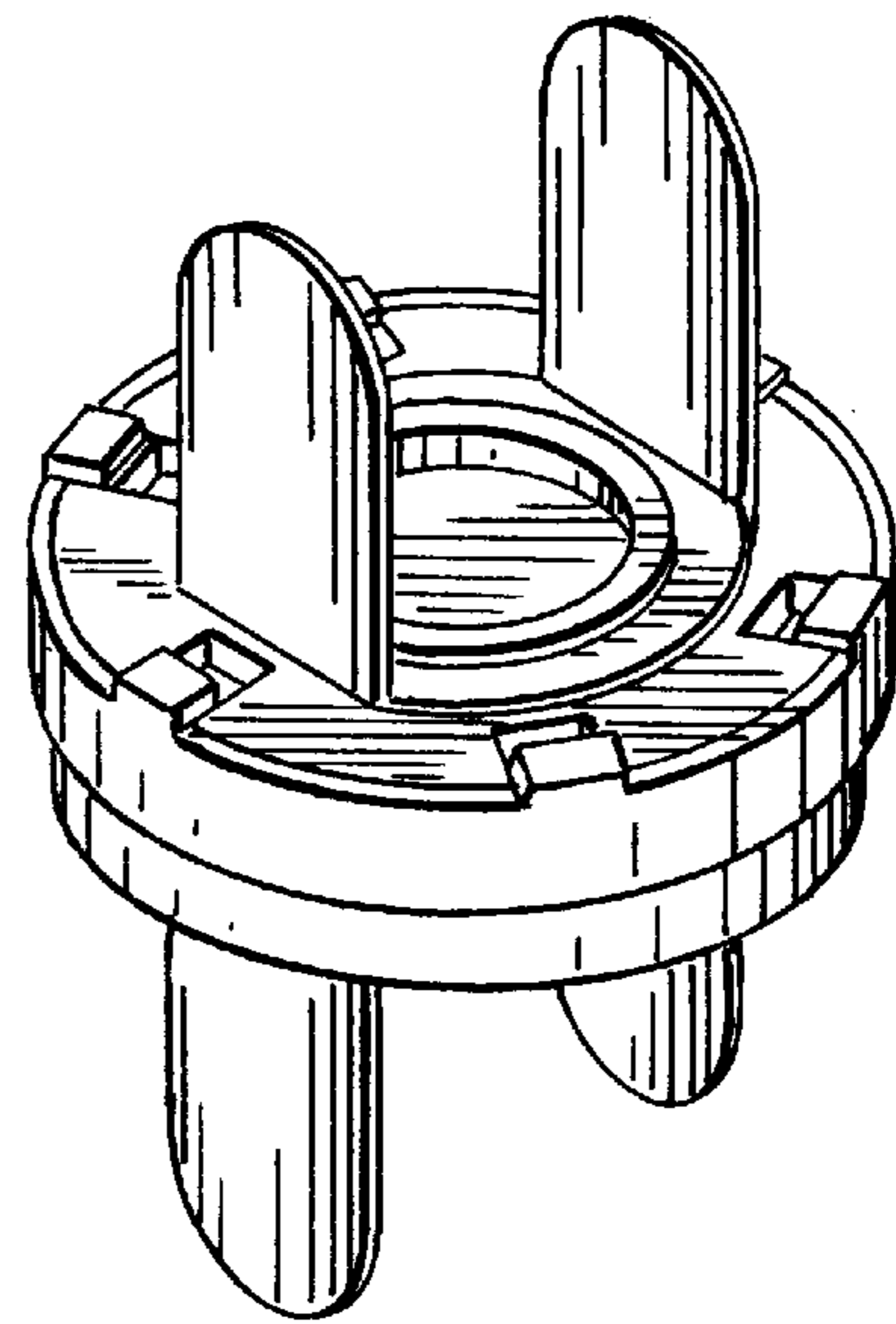


Fig.4