



US00D457827S

(12) **United States Design Patent**
Williams et al.

(10) **Patent No.:** **US D457,827 S**

(45) **Date of Patent:** **** May 28, 2002**

(54) **PORTABLE TEMPORARY TRAFFIC SIGNAL**

D438,810 S * 3/2001 Ziao et al. D10/115

(76) Inventors: **George Williams; Victor Bethune**,
both of 4739 W. Washington Blvd., Los
Angeles, CA (US) 90016

* cited by examiner

Primary Examiner—Marcus A. Jackson

(**) Term: **14 Years**

(57) **CLAIM**

The ornamental design for a portable temporary traffic
signal, as shown and described.

(21) Appl. No.: **29/147,883**

(22) Filed: **Sep. 7, 2001**

DESCRIPTION

(51) **LOC (7) Cl.** **10-05**

(52) **U.S. Cl.** **D10/115**

(58) **Field of Search** D10/109, 111,
D10/114, 113; 340/81 R, 84, 87.9; 116/63 P,
63 R, 63 T

FIG. 1 is a front elevational view of the portable temporary
traffic signal of the present invention, the rear view being a
mirror image thereof;

FIG. 2 is a left side elevational view of the portable
temporary traffic signal of FIG. 1, the right view being a
mirror image thereof;

FIG. 3 is a top plan view of the portable temporary traffic
signal of FIG. 1; and,

FIG. 4 is a bottom plan view of the portable temporary traffic
signal of FIG. 1.

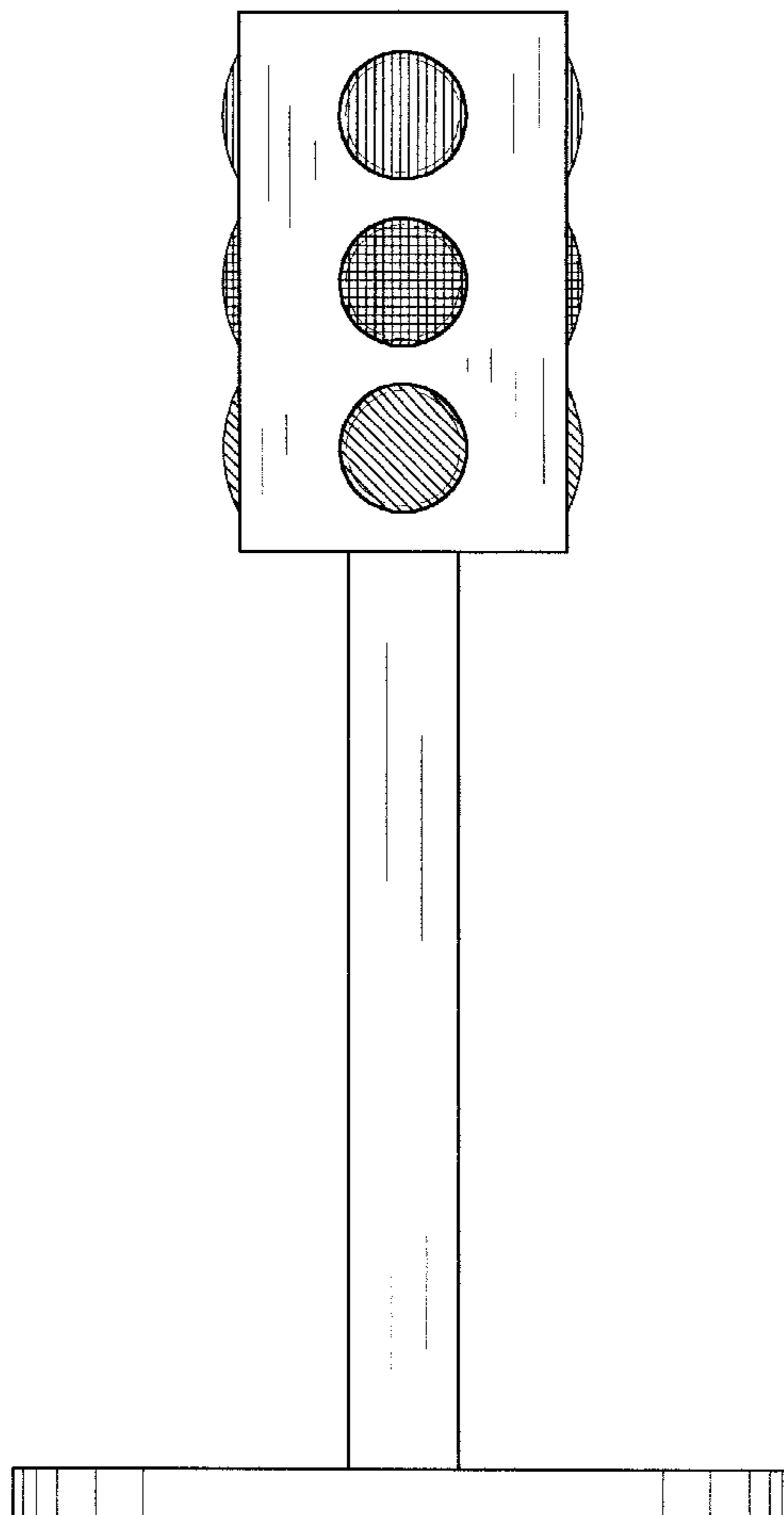
The lining of the lenses shown in FIGS. 1,2, and 3 are
representative of the colors red, yellow and green in
descending order.

(56) **References Cited**

U.S. PATENT DOCUMENTS

3,046,521 A	7/1962	Cantwell	
D275,188 S	* 8/1984	McNaughton, Jr. D10/115
4,543,905 A	10/1985	Mckenney	
4,706,087 A	11/1987	Holznagel	
D314,354 S	* 2/1991	Droschl D10/115
5,252,969 A	10/1993	Kishi	
5,805,081 A	9/1998	Fikacek	

1 Claim, 3 Drawing Sheets



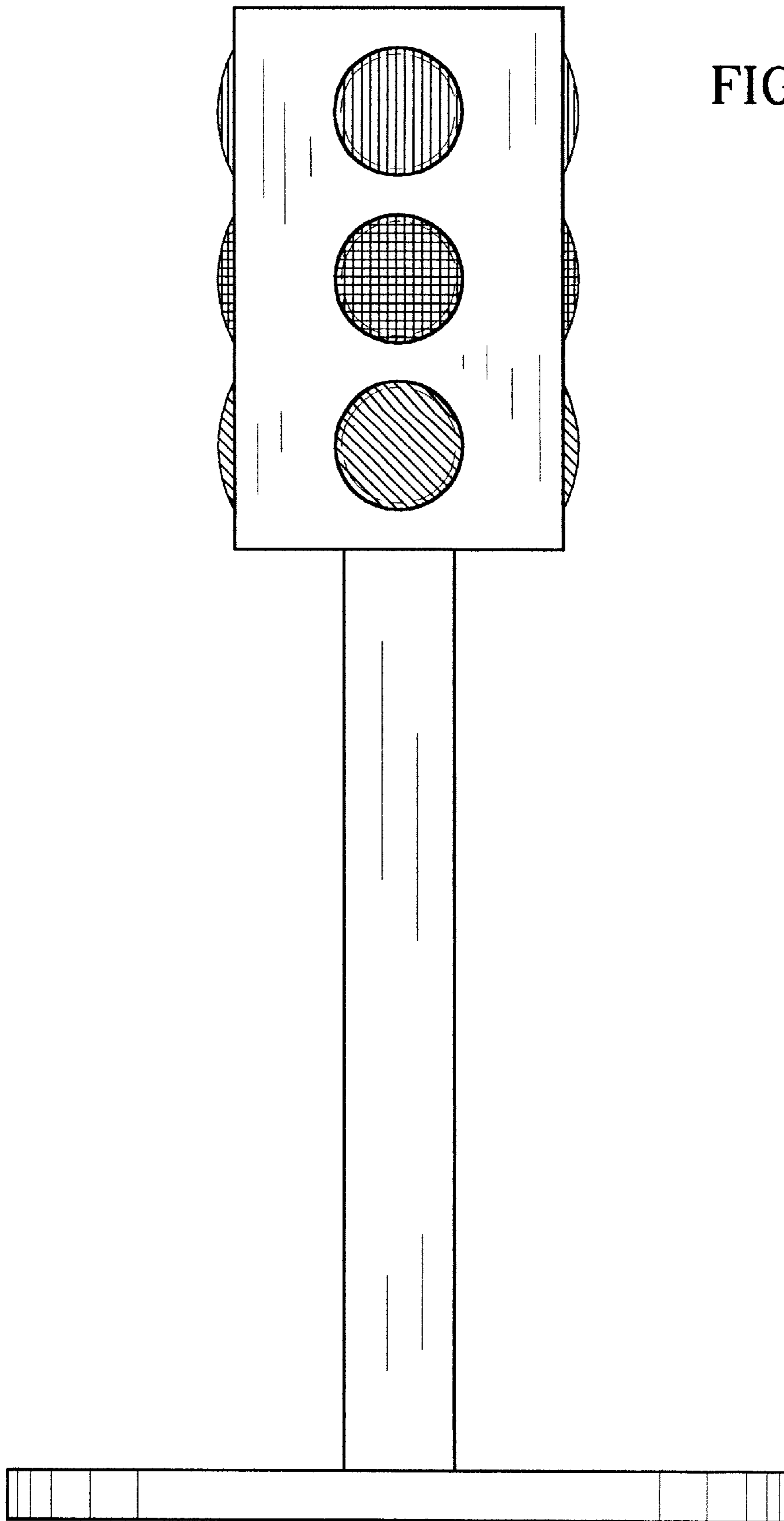


FIG. 1

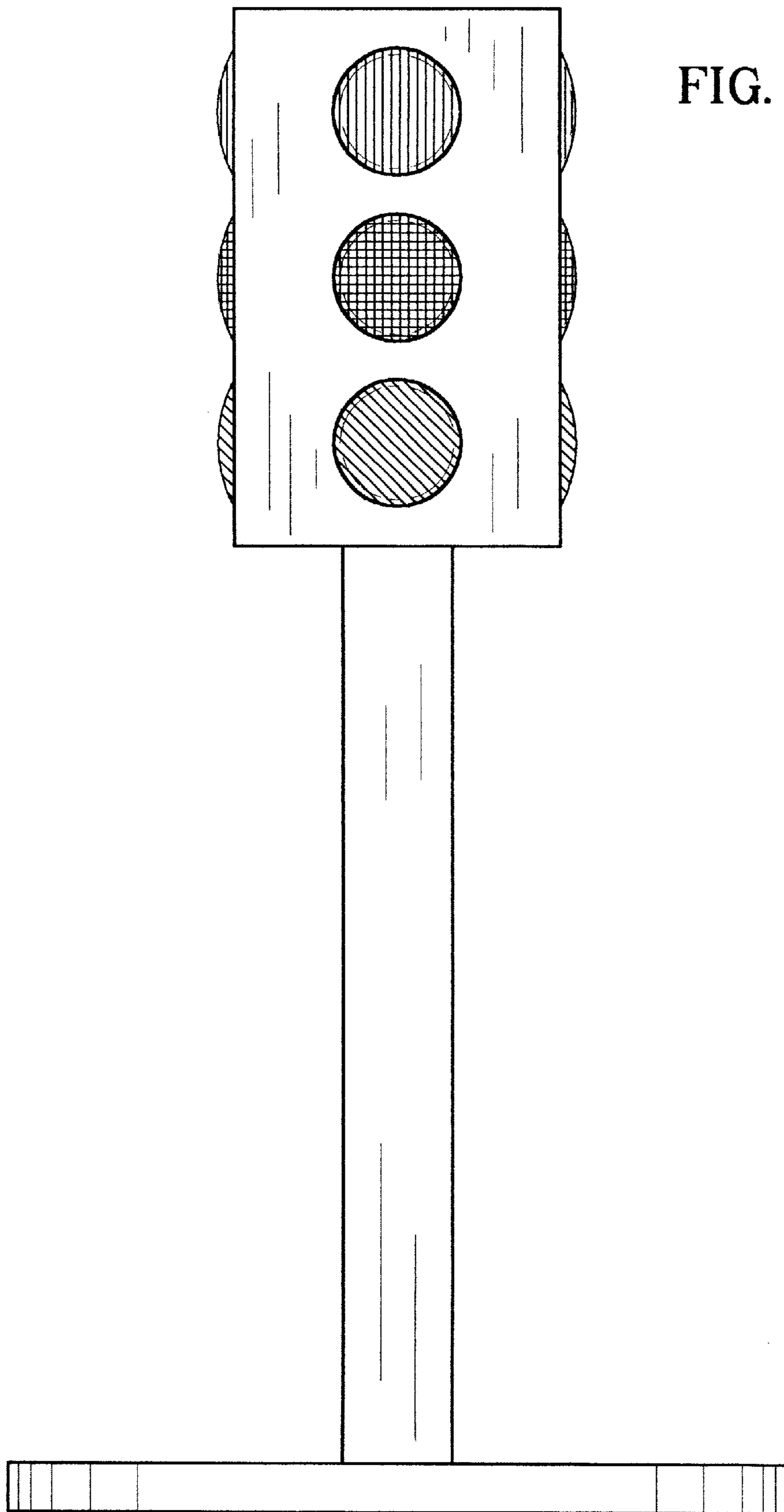


FIG. 2

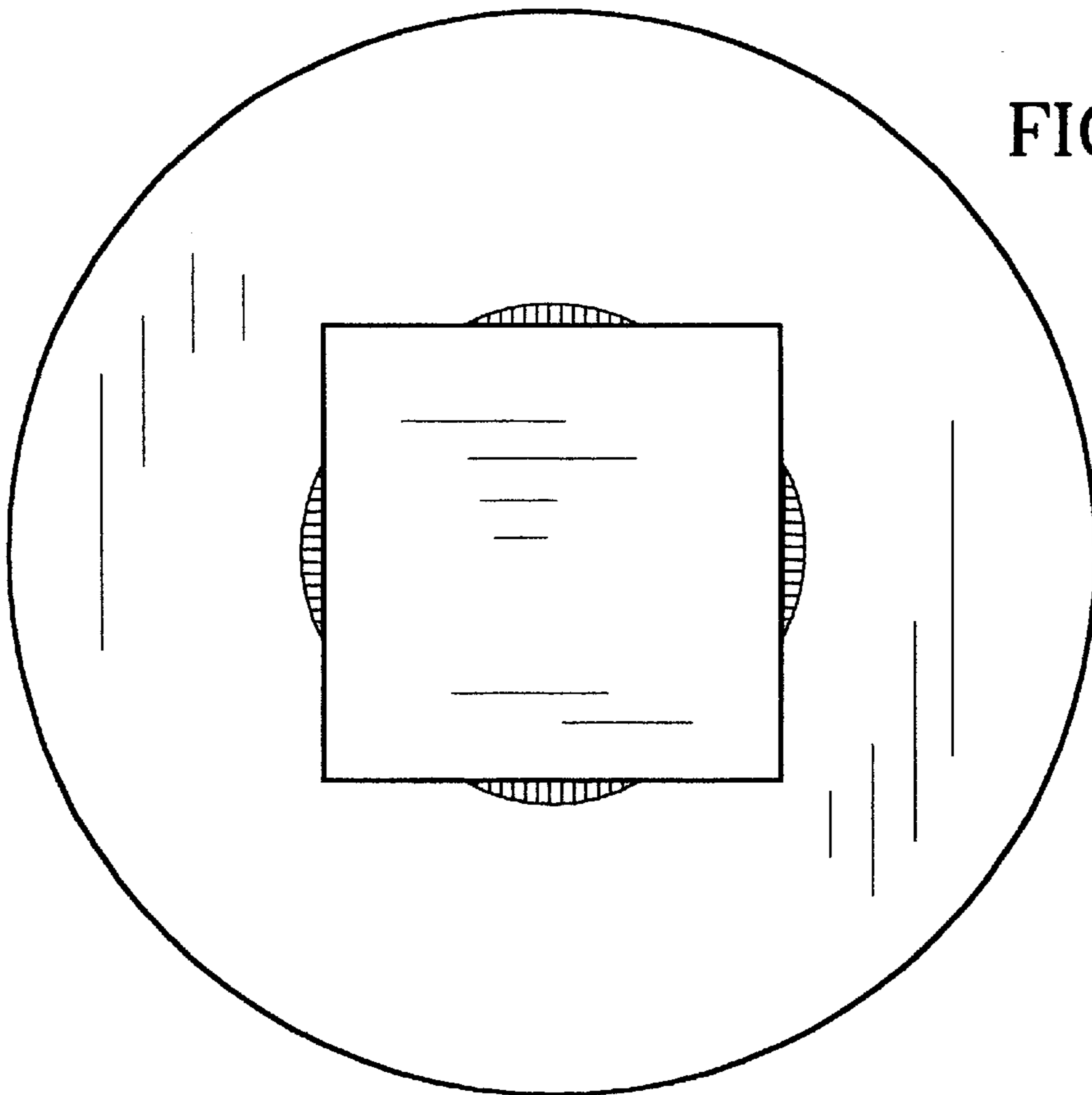


FIG. 3

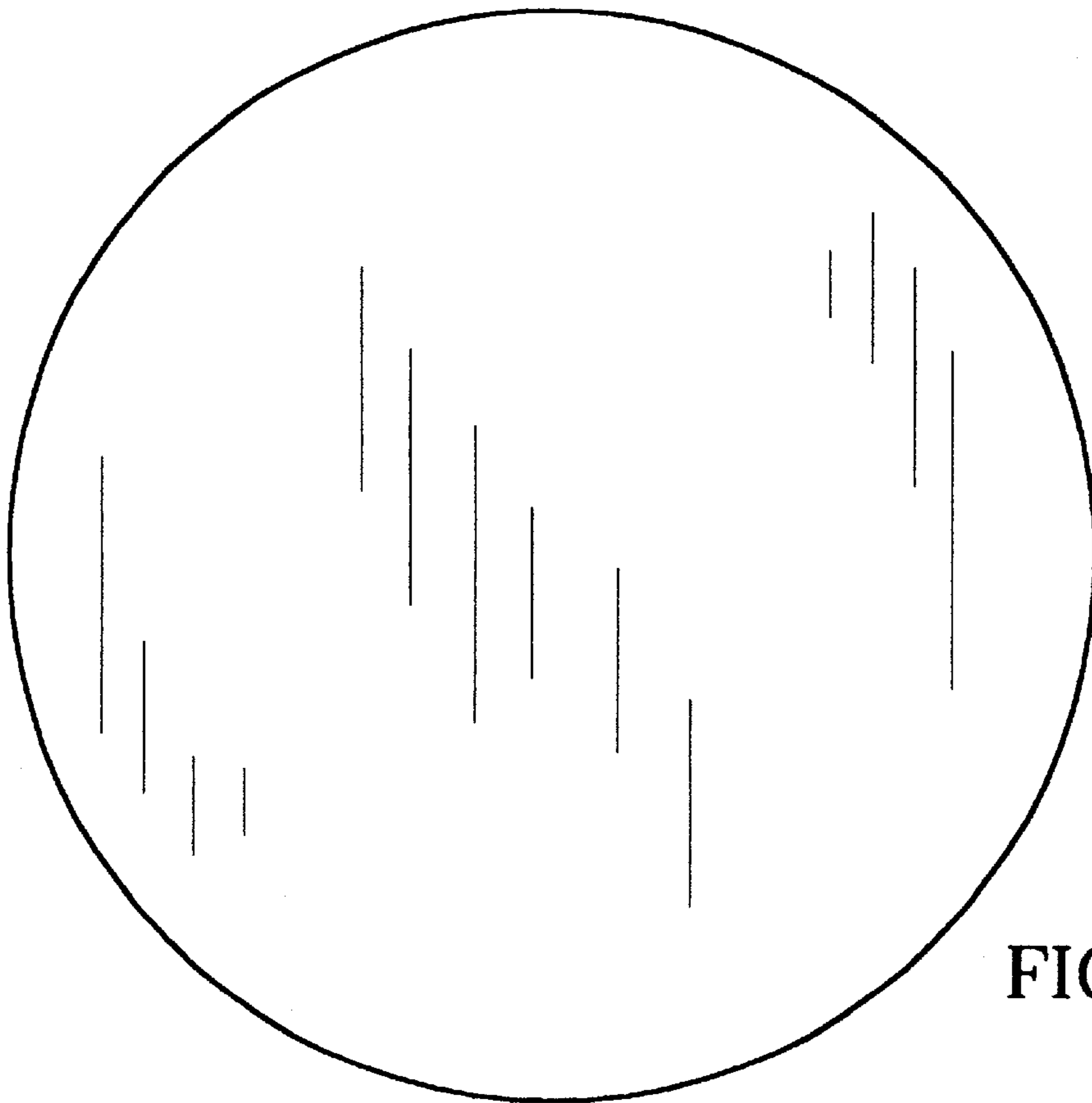


FIG. 4