



US00D457826S

(12) **United States Design Patent**
Rusnak

(10) **Patent No.:** **US D457,826 S**

(45) **Date of Patent:** **** May 28, 2002**

(54) **METERING DEVICE**

4,747,521 A * 5/1988 Saffron 222/430 X
5,119,971 A * 6/1992 Reyman 222/430 X

(75) Inventor: **Christopher Rusnak**, Des Plaines, IL
(US)

* cited by examiner

(73) Assignee: **Ideal Instruments, Inc.**, Schiller Park,
IL (US)

Primary Examiner—Antoine Duval Davis
(74) *Attorney, Agent, or Firm*—Ian C. McLeod

(**) Term: **14 Years**

(57) **CLAIM**

(21) Appl. No.: **29/144,859**

The ornamental design for a metering device, as shown and described.

(22) Filed: **Jul. 11, 2001**

DESCRIPTION

(51) **LOC (7) Cl.** **10-04**

(52) **U.S. Cl.** **D10/96; D10/97**

(58) **Field of Search** D7/589, 300.2;
D10/96, 97; 222/430, 205, 107; 141/104,
105

FIG. 1 is a front elevational view of a metering device showing my new design;

FIG. 2 is a left side elevational view thereof;

FIG. 3 is a rear elevational view thereof;

FIG. 4 is a right side elevational view thereof;

FIG. 5 is a top plan view thereof; and,

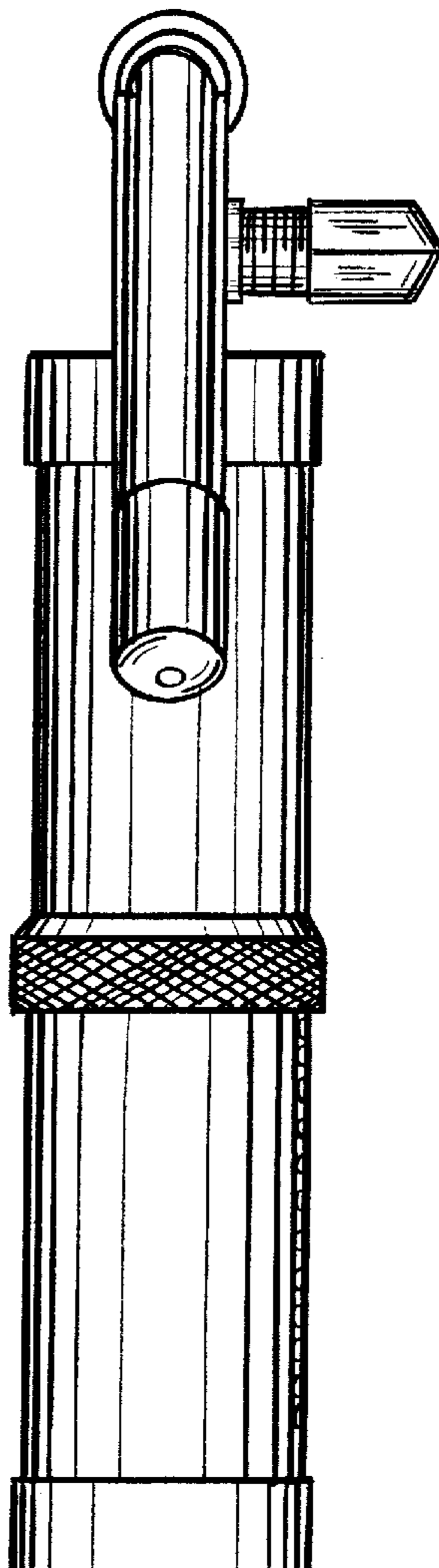
FIG. 6 is a bottom plan view thereof.

(56) **References Cited**

U.S. PATENT DOCUMENTS

3,203,686 A * 8/1965 Wooding et al. 222/430

1 Claim, 6 Drawing Sheets



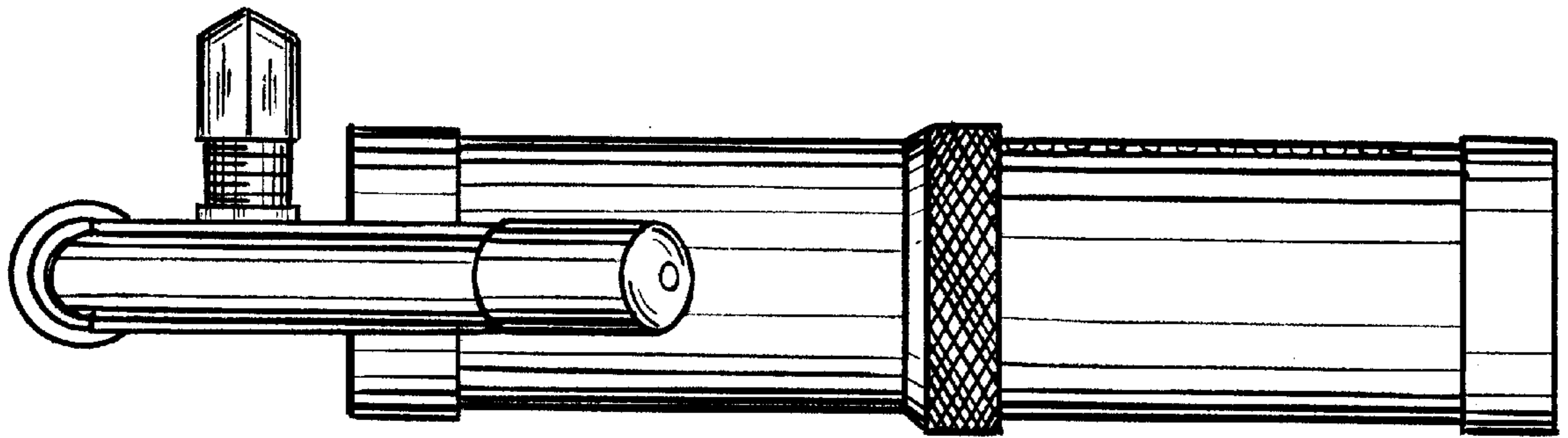


FIG. 1

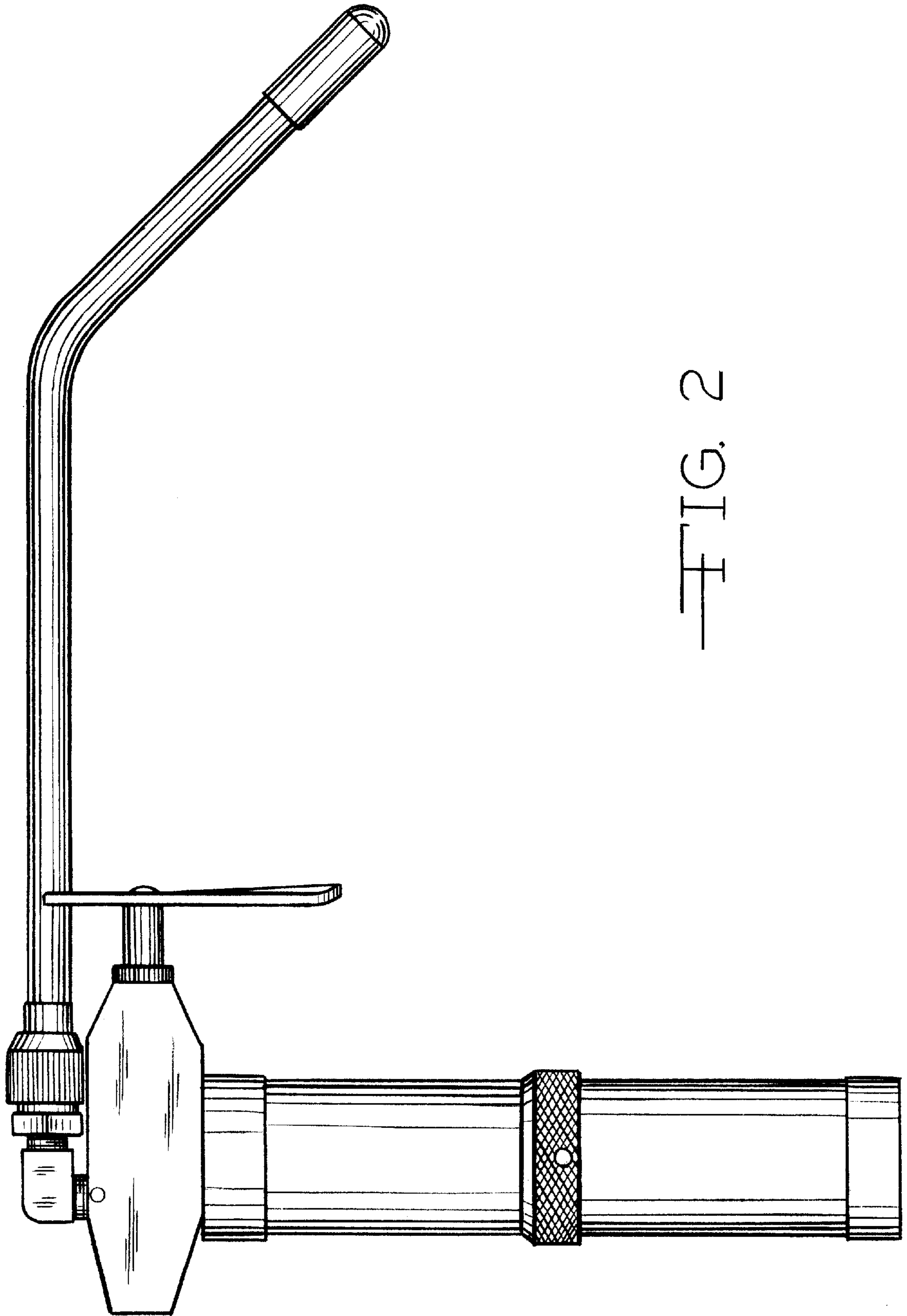


FIG. 2

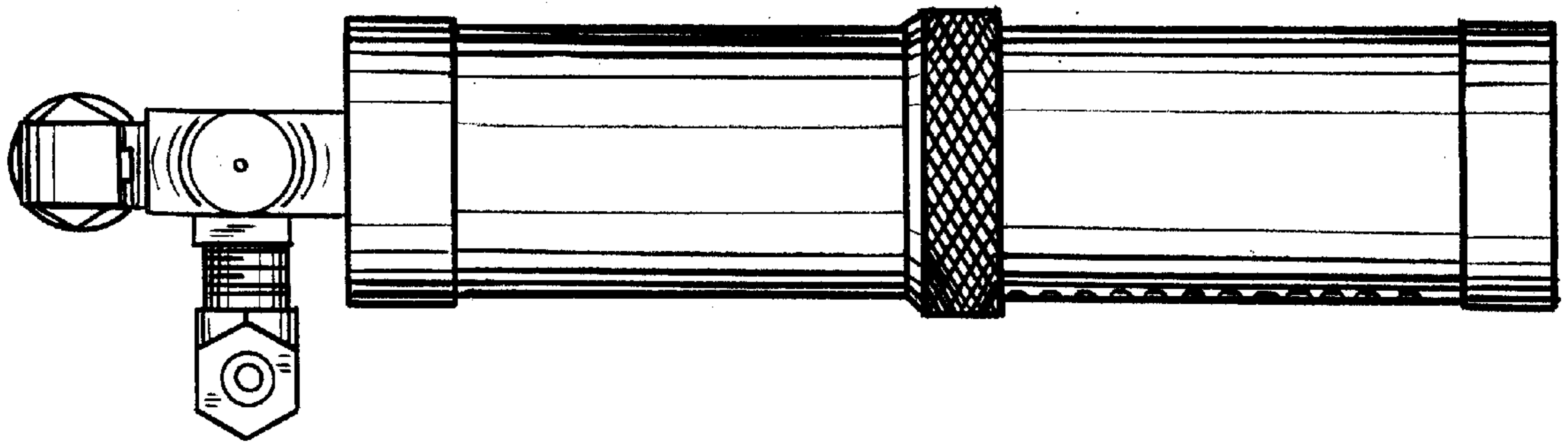


FIG. 3

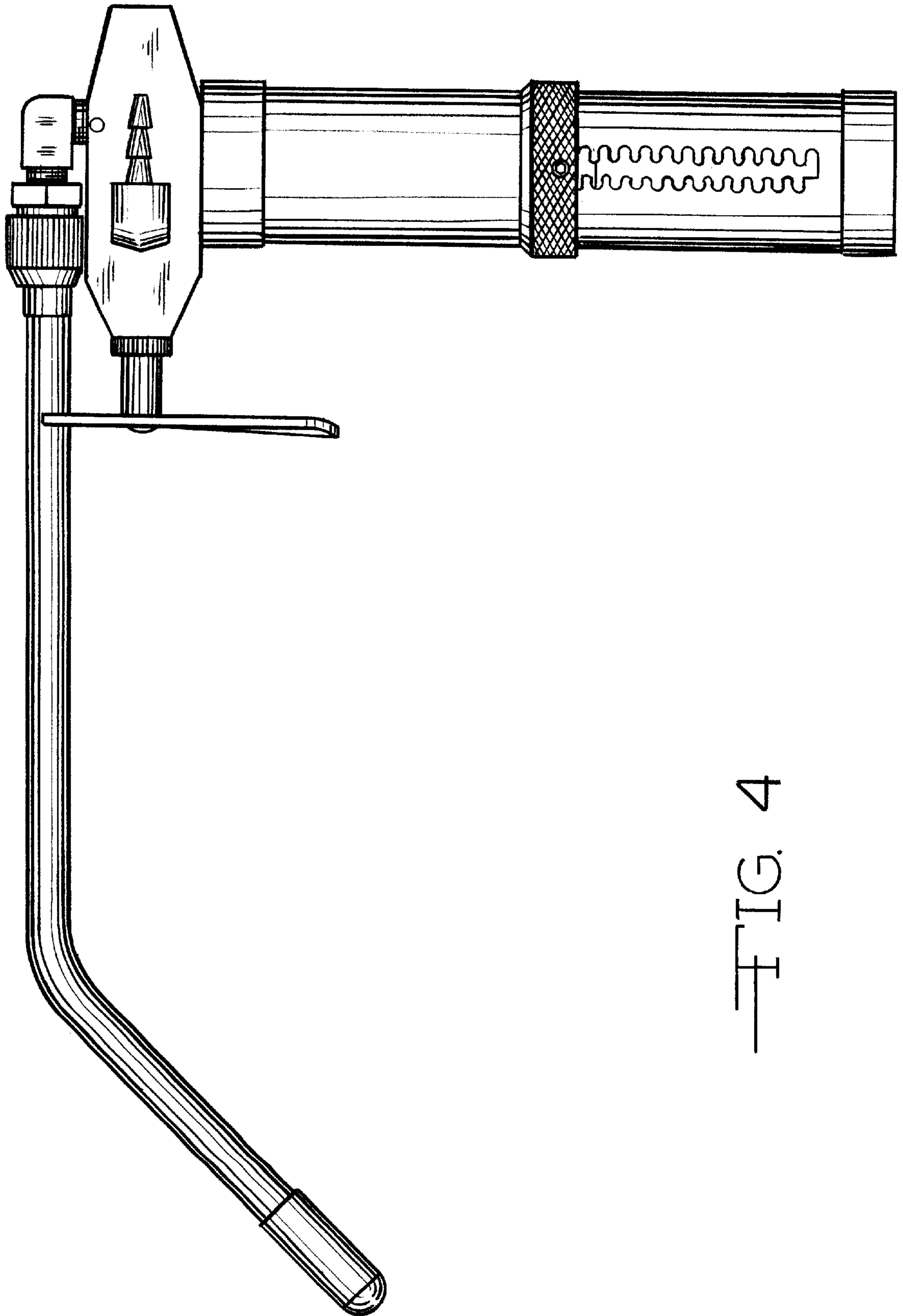
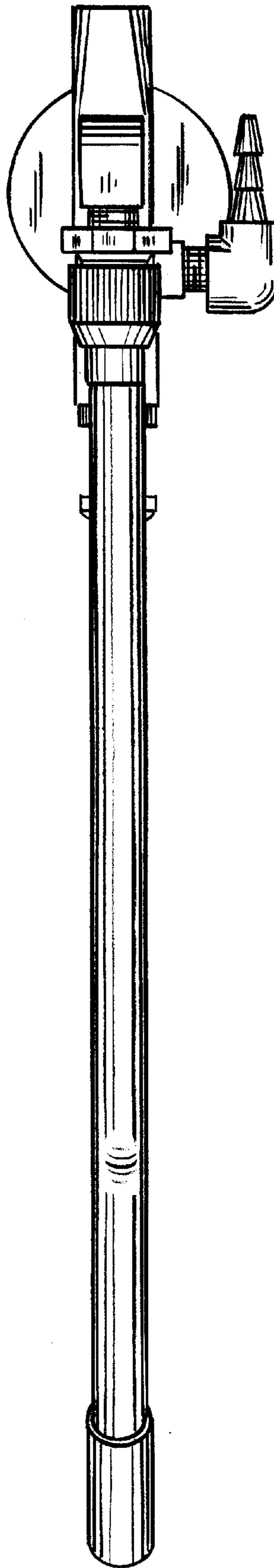


FIG. 4

FIG. 5



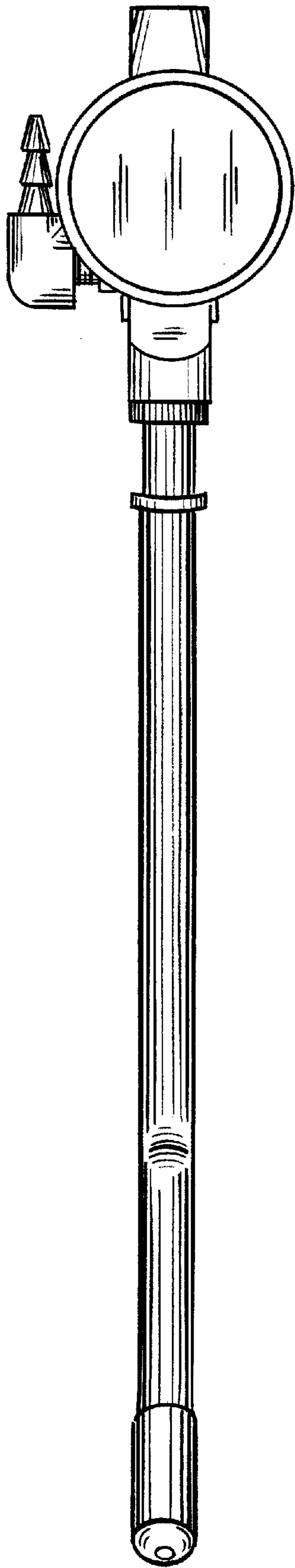


FIG. 6