



US00D457825S

(12) **United States Design Patent**
Christiansen

(10) **Patent No.:** **US D457,825 S**

(45) **Date of Patent:** **** May 28, 2002**

(54) **FLOW METER TUBE REST GASKET WITH INTEGRAL FLOAT STOP**

Primary Examiner—Antoine Duval Davis

(76) **Inventor:** **Tom Christiansen**, 6012 S. Newlin,
Apt. D, Whittier, CA (US) 90601

(**) **Term:** **14 Years**

(57) **CLAIM**

The ornamental design for a “flow meter tube rest gasket with integral float stop”, as shown.

(21) **Appl. No.:** **29/139,527**

(22) **Filed:** **Mar. 31, 2001**

(51) **LOC (7) Cl.** **10-04**

(52) **U.S. Cl.** **D10/96**

(58) **Field of Search** D10/96; 73/861.355,
73/861.357, 23.3, 861.42, 861.53; 600/538,
532, 529, 533

DESCRIPTION

FIG. 1 is a perspective view of a flow meter tube rest gasket with integral float stop showing my new design;

FIG. 2 is a front elevational view thereof;

FIG. 3 is a cross-section view of FIG. 1 thereof;

FIG. 4 is a rear elevational view thereof;

FIG. 5 is a top plan view thereof; and,

FIG. 6 is a bottom plan view thereof.

(56) **References Cited**

U.S. PATENT DOCUMENTS

D297,716 S * 9/1988 Rosaen

* cited by examiner

1 Claim, 3 Drawing Sheets

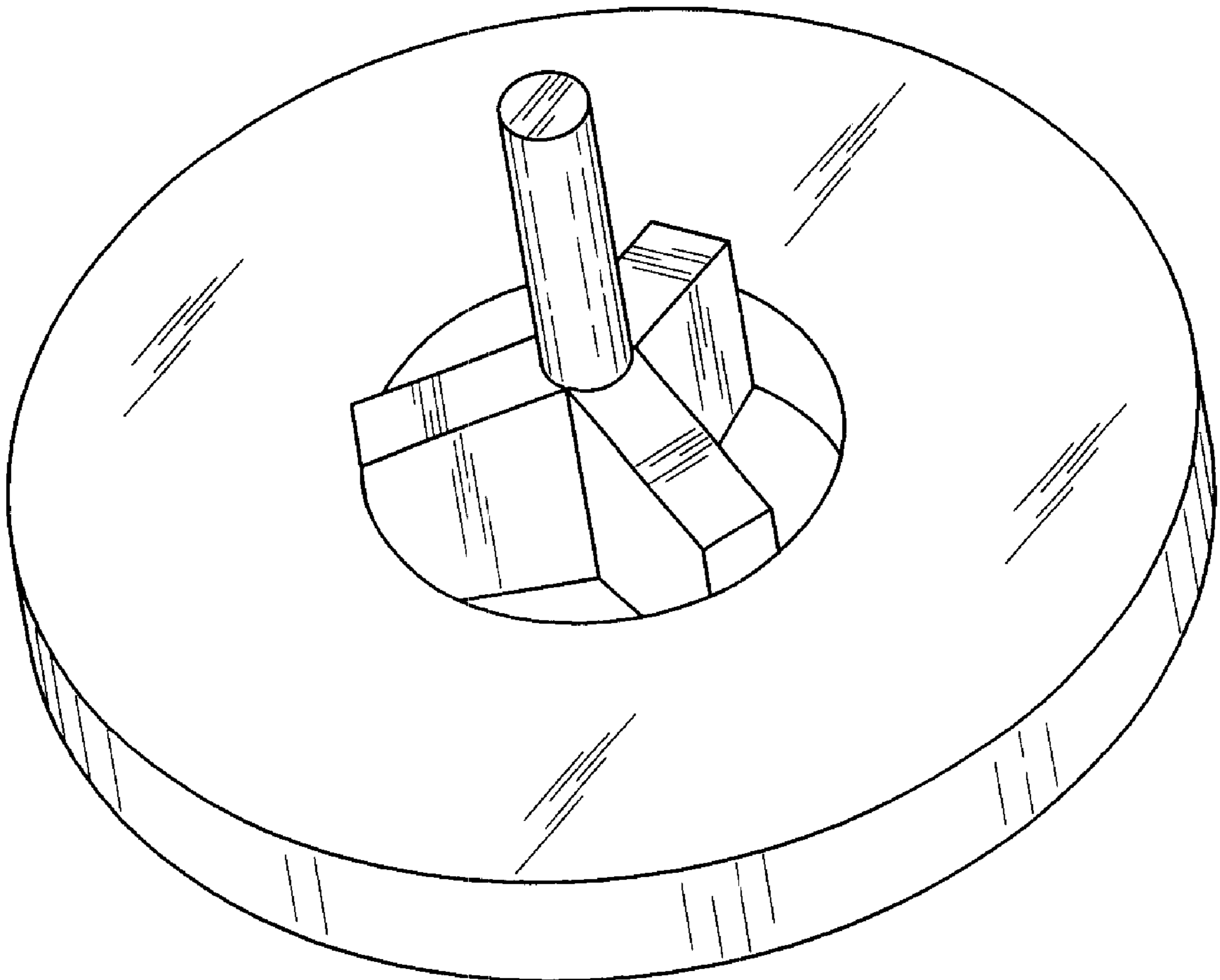


Fig. 1

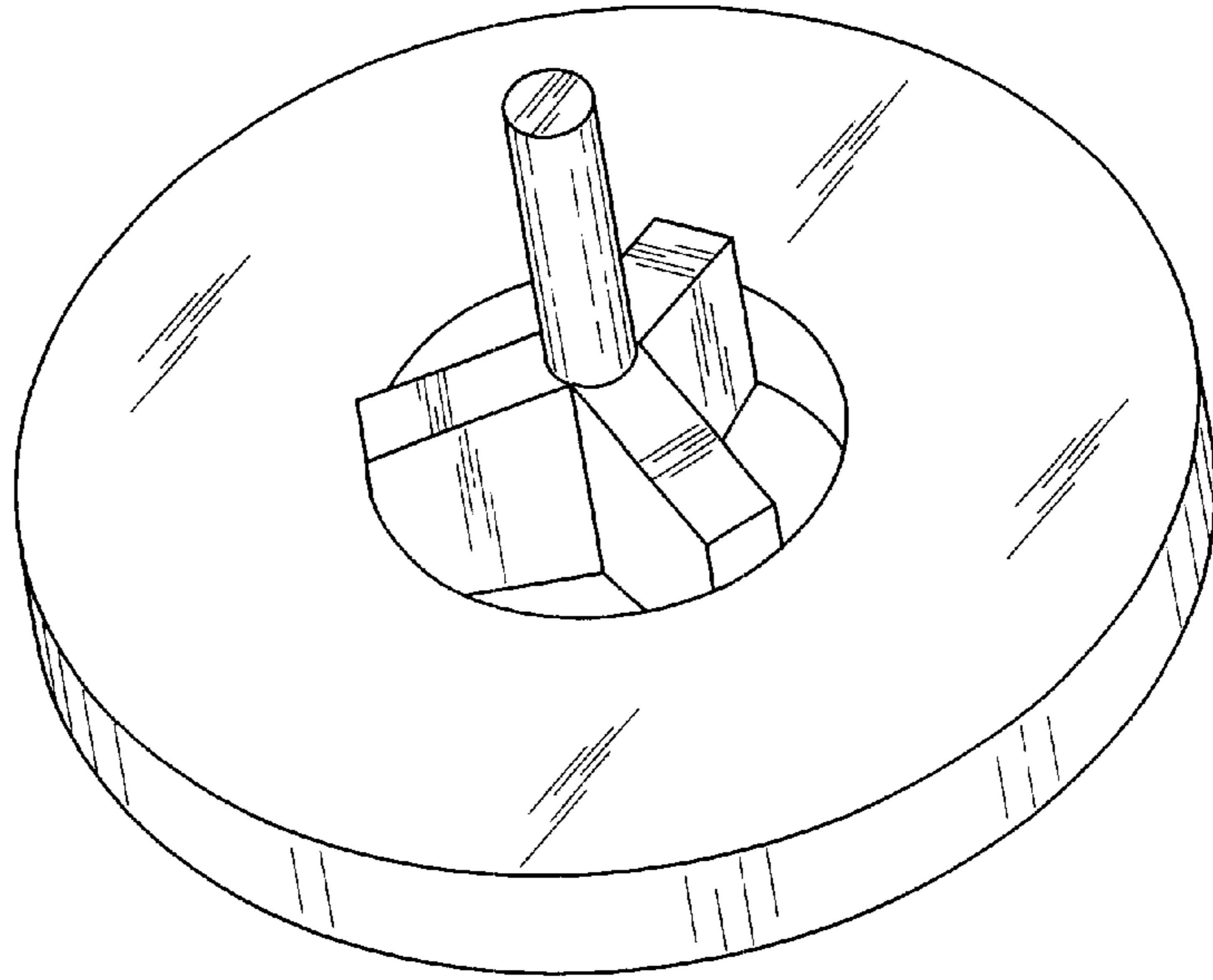


Fig. 2

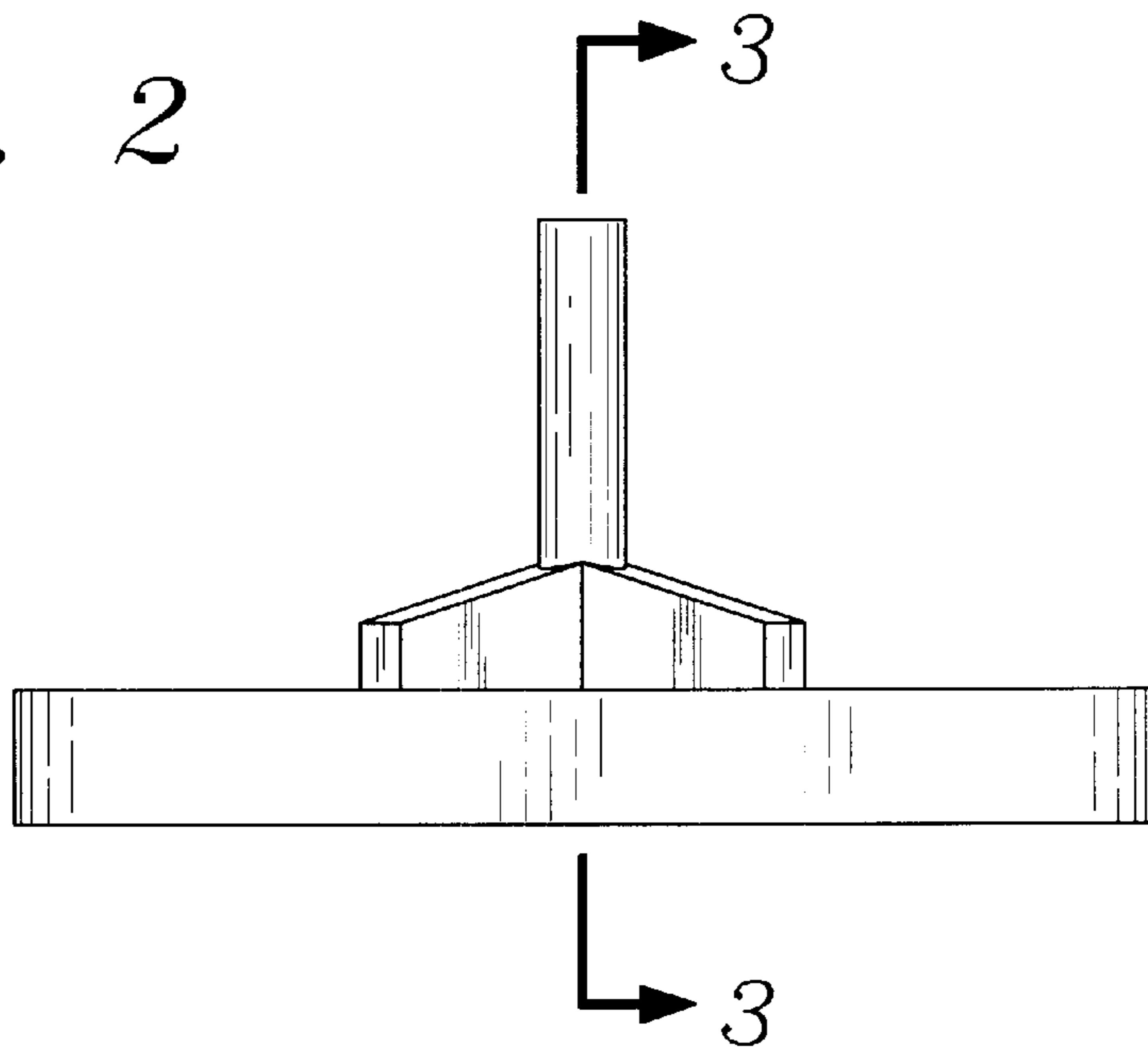


Fig. 3

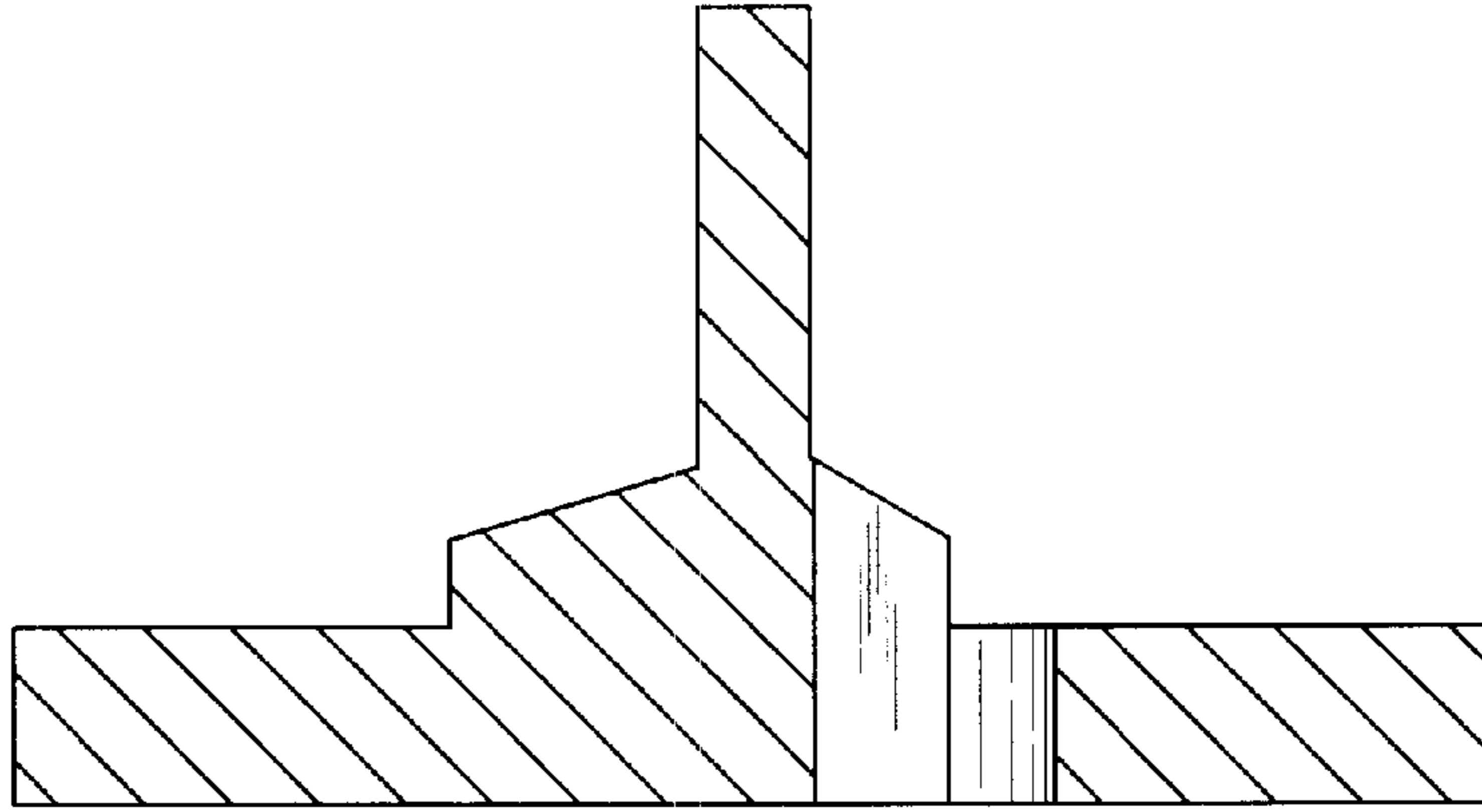


Fig. 4

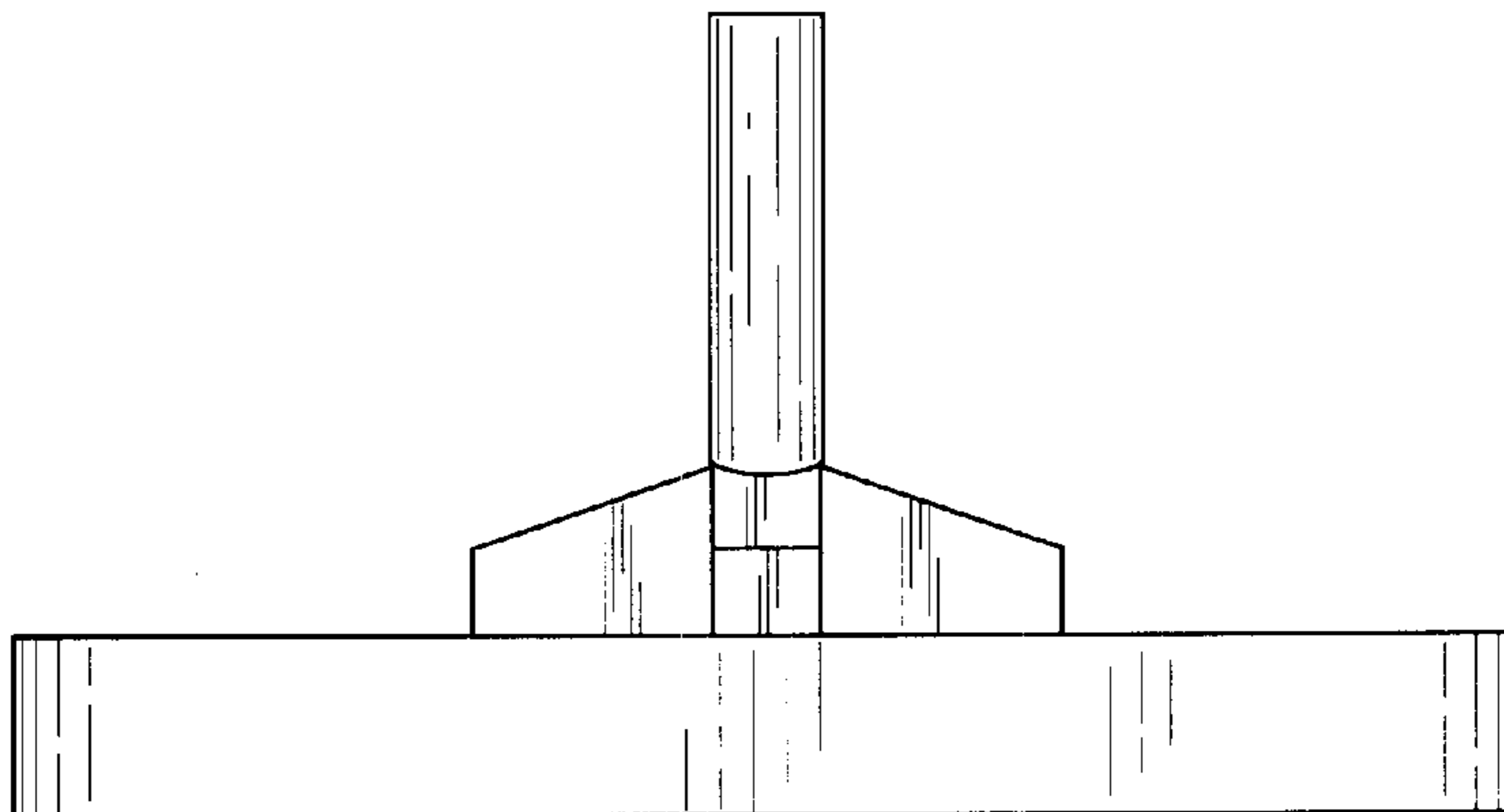


Fig. 5

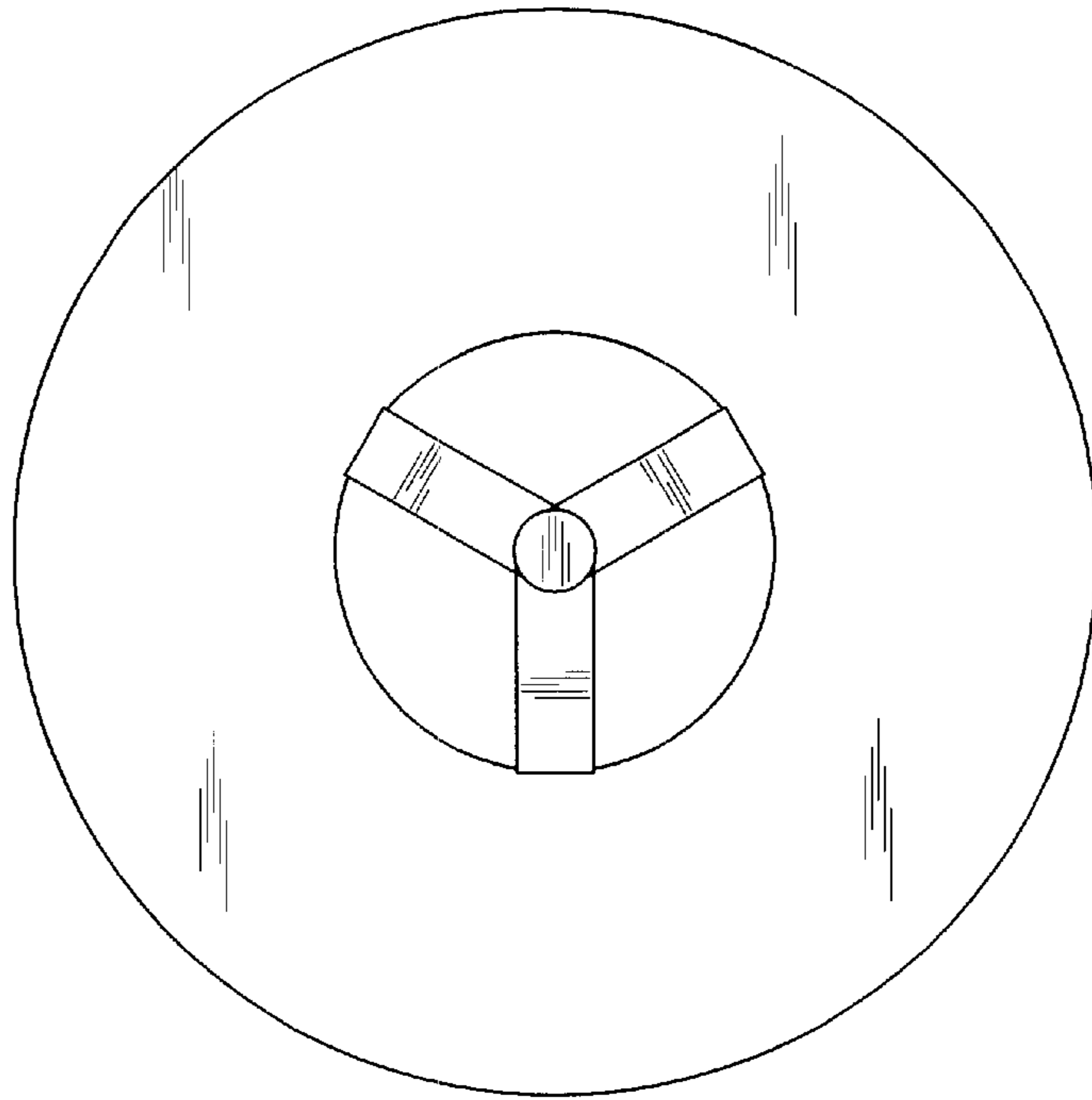


Fig. 6

