



US00D457822S

(12) **United States Design Patent**
Rushton

(10) **Patent No.:** **US D457,822 S**

(45) **Date of Patent:** **** May 28, 2002**

(54) **DIAL THERMOMETER**

D308,343 S * 6/1990 Aloise et al. D10/57

(75) Inventor: **Thomas L. Rushton**, Wilmington, NC
(US)

* cited by examiner

Primary Examiner—Antoine Duval Davis

(73) Assignee: **Koch Measurement Devices, Inc.**,
Wilmington, NC (US)

(74) *Attorney, Agent, or Firm*—MacCord Mason PLLC

(**) Term: **14 Years**

(57) **CLAIM**

The ornamental design for a dial thermometer, as shown and described.

(21) Appl. No.: **29/141,465**

DESCRIPTION

(22) Filed: **May 7, 2001**

(51) **LOC (7) Cl.** **10-04**

(52) **U.S. Cl.** **D10/57**

(58) **Field of Search** D10/57, 58; 374/206,
374/208

FIG. 1 is a front view of the dial thermometer.

FIG. 2 is a rear view of the dial thermometer.

FIG. 3 is a left side view of the dial thermometer.

FIG. 4 is a right side view of the dial thermometer.

FIG. 5 is a top view of the dial thermometer.

FIG. 6 is a bottom view of the dial thermometer; and,

FIG. 7 is a front view of an alternative embodiment of the dial thermometer, the remaining views being identical to those of the first embodiment.

(56) **References Cited**

U.S. PATENT DOCUMENTS

3,851,529 A * 12/1974 Andrews et al. 73/362.8

1 Claim, 5 Drawing Sheets

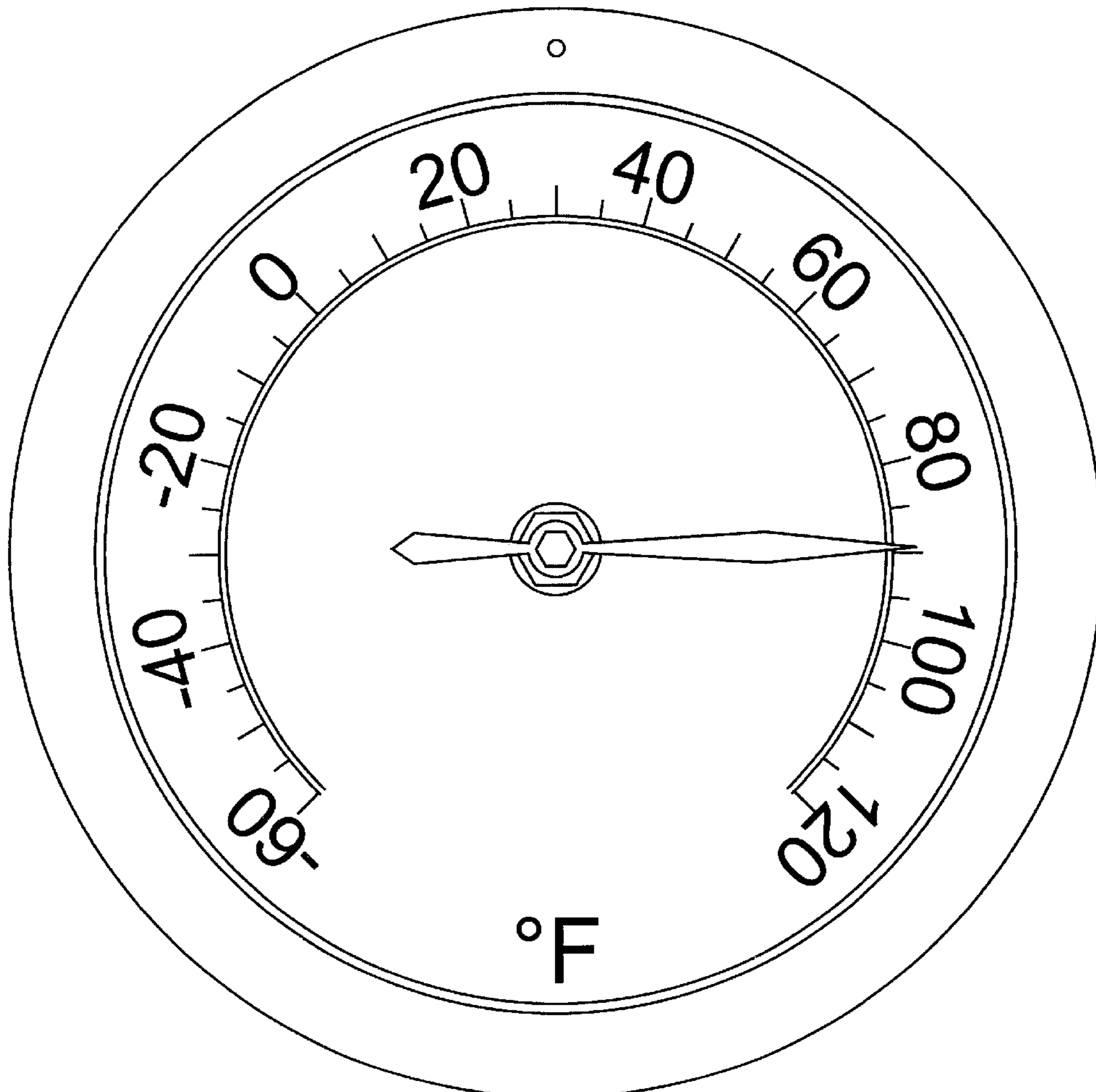


Fig. 1

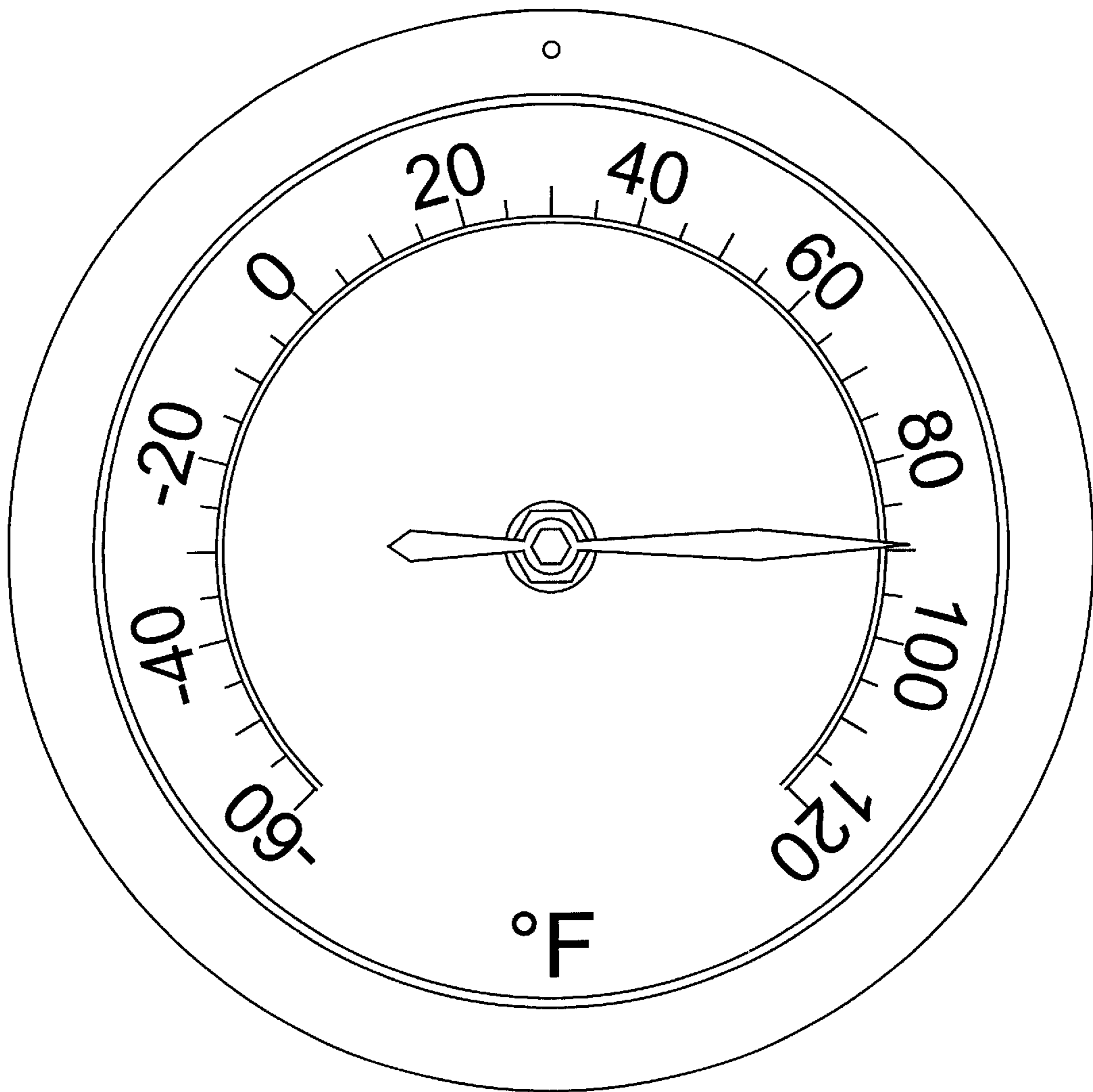


Fig. 2

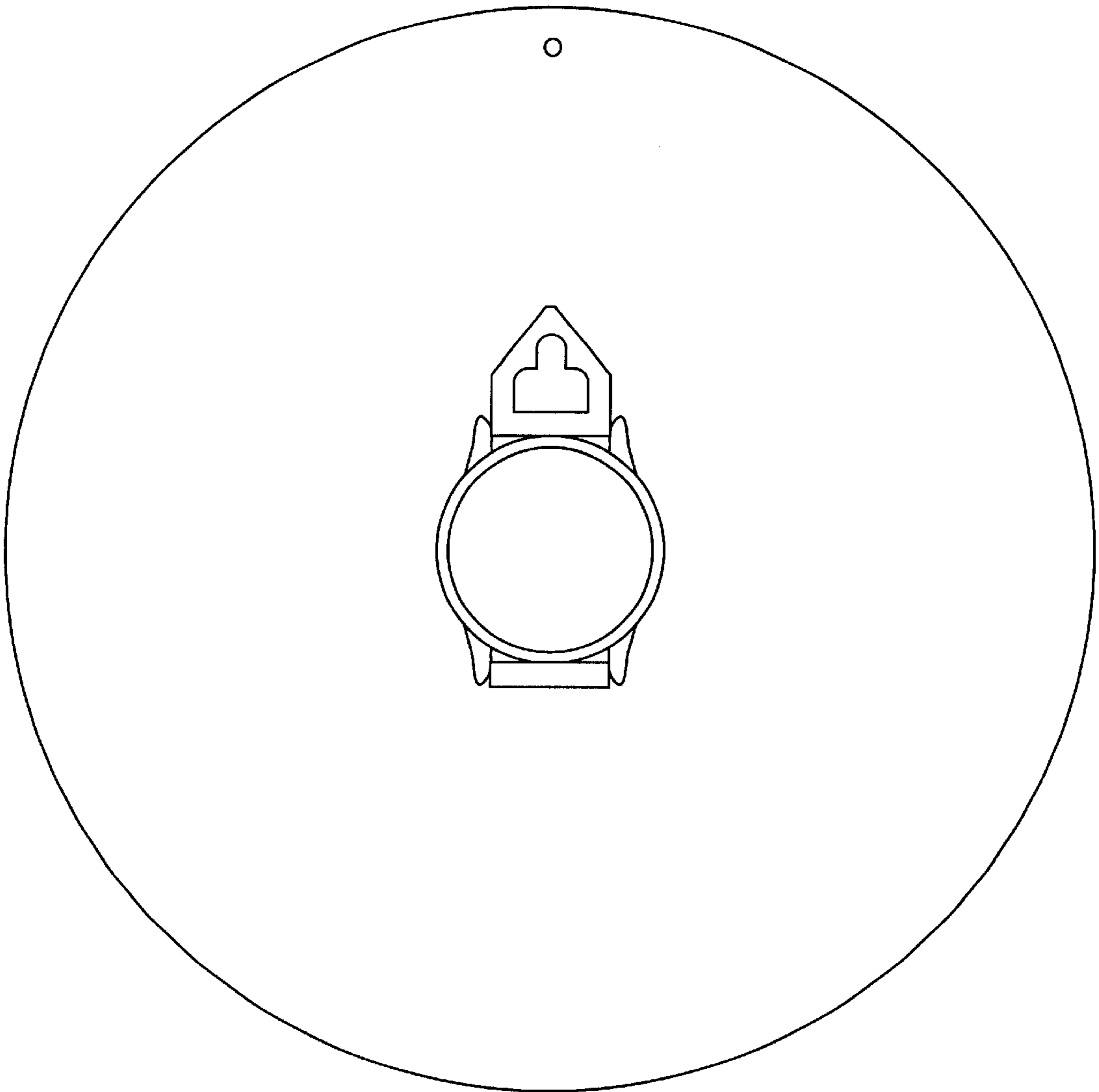


Fig. 3

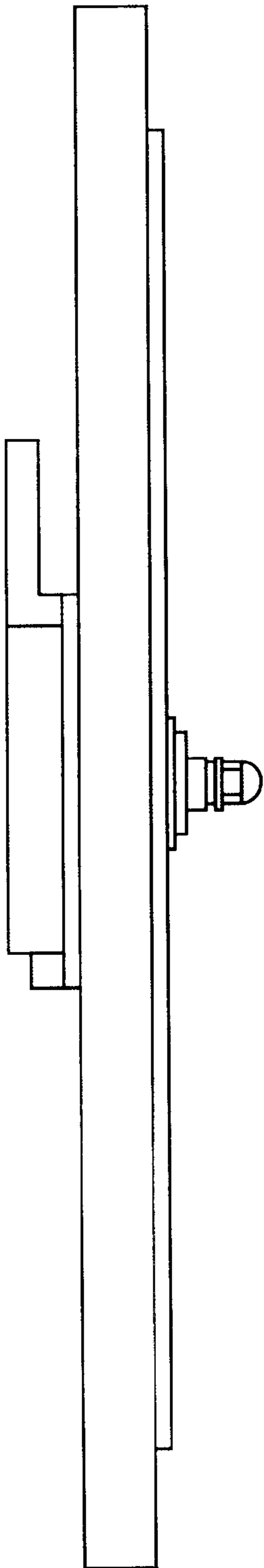


Fig. 4

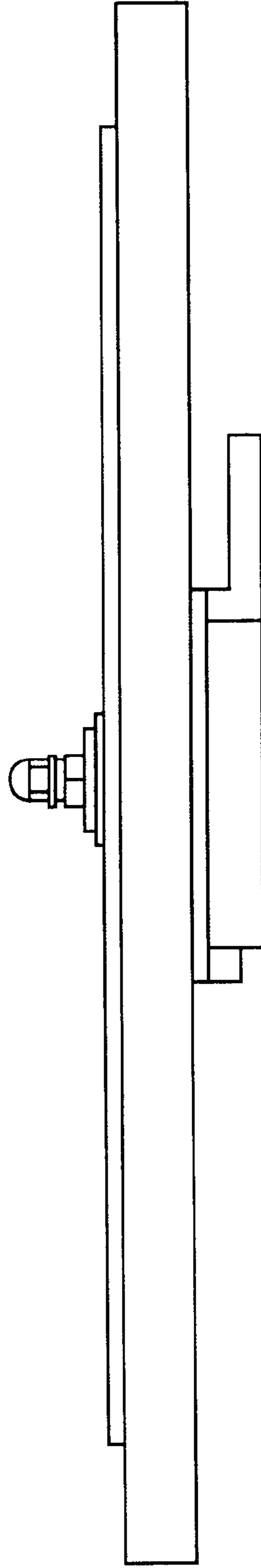


Fig. 5

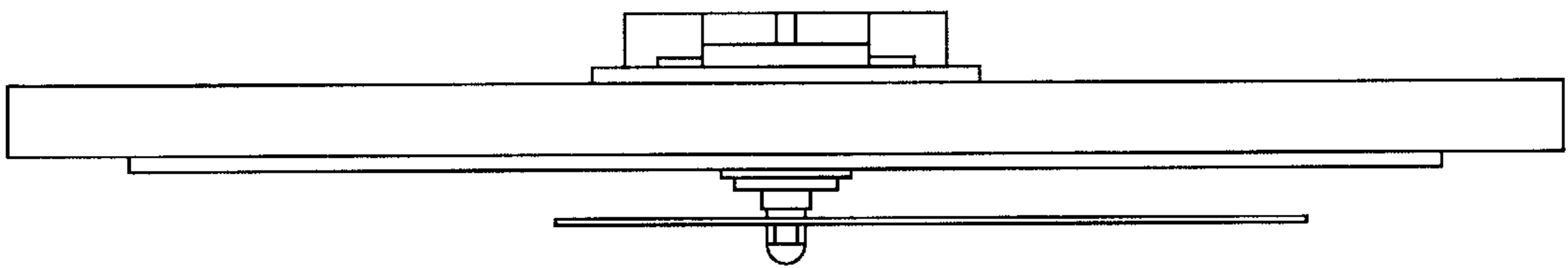


Fig. 6

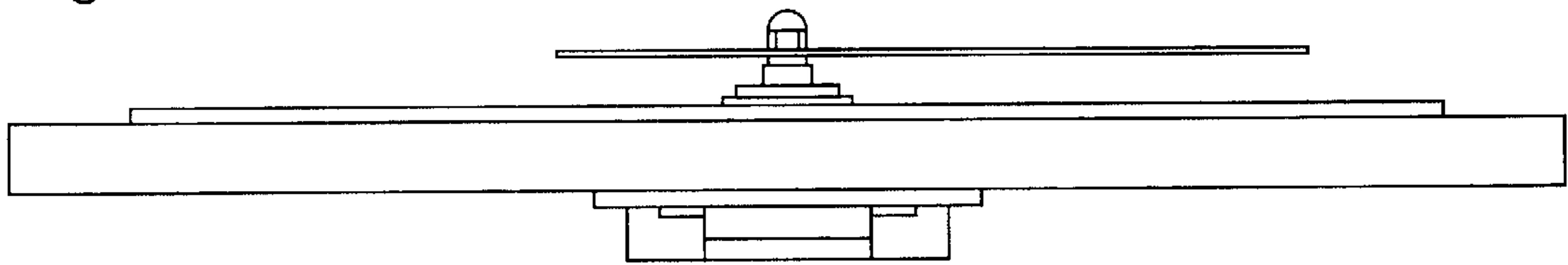


Fig. 7

