



US00D457811S

(12) **United States Design Patent**
Vanstaan et al.

(10) **Patent No.:** **US D457,811 S**
(45) **Date of Patent:** **** May 28, 2002**

(54) **FUEL CANISTER DISPENSING VALVE**

4,440,325 A	4/1984	Nikolich
4,483,474 A	11/1984	Nikolich
4,522,162 A	6/1985	Nikolich
5,115,944 A	5/1992	Nikolich
D361,037 S	* 8/1995	Jonsson D9/449 X
D452,554 S	* 12/2001	McKee et al. D9/448 X

(75) Inventors: **Valery H. Vanstaan**, Highland Park;
Sandra J. Wilson, Hawthorn Woods;
Mohamed K. Wagdy, Arlington Heights, all of IL (US)

(73) Assignee: **Illinois Tool Works Inc.**, Glenview, IL (US)

* cited by examiner

(**) Term: **14 Years**

Primary Examiner—Dominic Simone
(74) *Attorney, Agent, or Firm*—Lisa M. Soltis; Mark W. Croll; Donald J Breh

(21) Appl. No.: **29/144,379**

(57) **CLAIM**

(22) Filed: **Jul. 2, 2001**

The ornamental design for a fuel canister dispensing valve, as shown and described.

Related U.S. Application Data

DESCRIPTION

(63) Continuation-in-part of application No. 09/655,946, filed on Sep. 6, 2000.

(51) **LOC (7) Cl.** **09-07**

FIG. 1 is a perspective view of a fuel canister dispensing valve showing our new design;

(52) **U.S. Cl.** **D9/448**

FIG. 2 is a front view of the valve shown in FIG. 1;

(58) **Field of Search** D9/434, 435, 447, D9/448; 222/189, 525, 541, 566-567, 570-571, 575, 153.11, 402.11, 402.13, 402.14, 402.24, 402.2, 1

FIG. 3 is a rear view thereof;

FIG. 4 is a top view thereof;

FIG. 5 is a left side view, the right side being identical thereto; and,

FIG. 6 is a bottom view of the present valve.

(56) **References Cited**

U.S. PATENT DOCUMENTS

4,403,722 A 9/1983 Nikolich

1 Claim, 2 Drawing Sheets

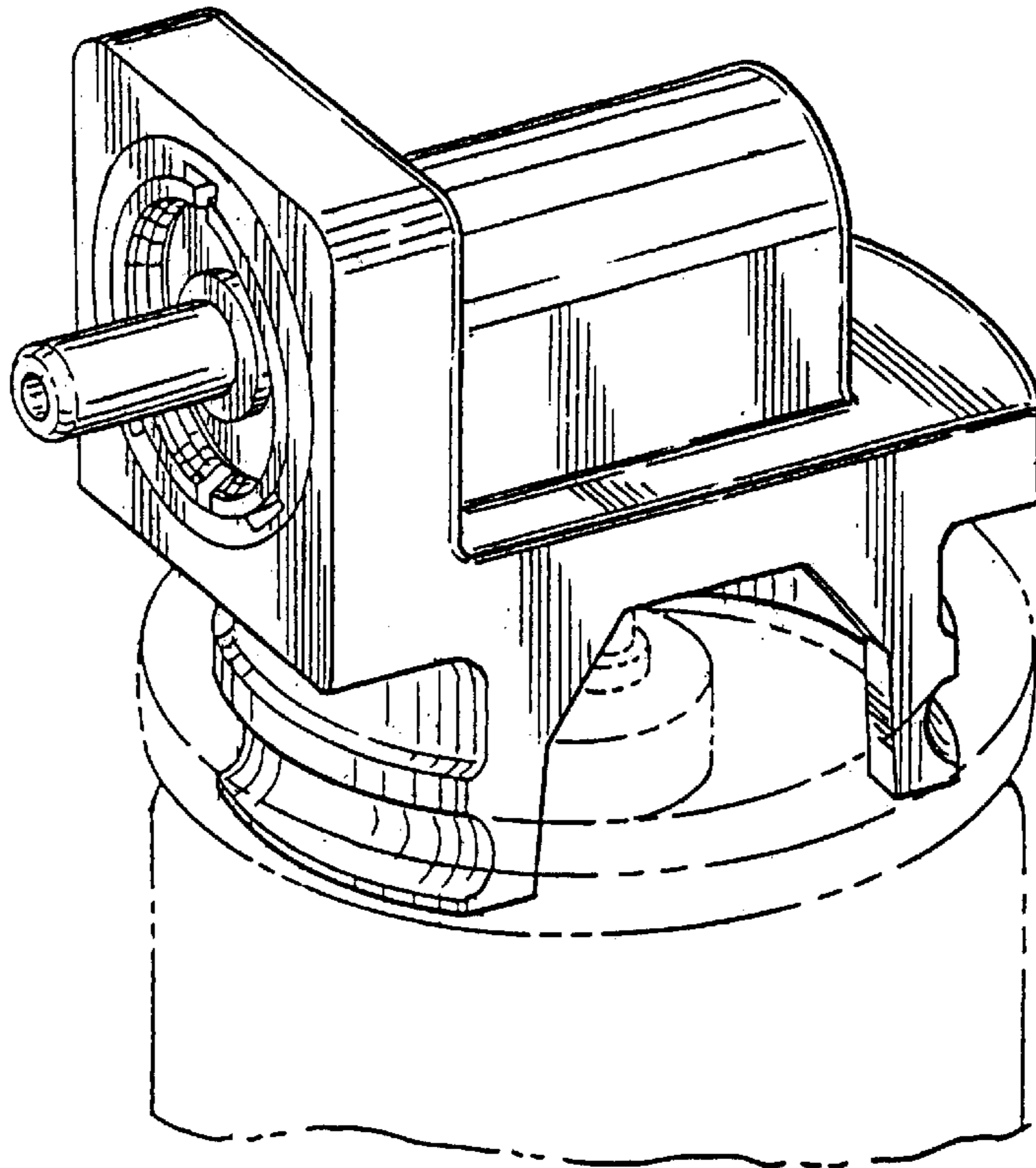


FIG.1

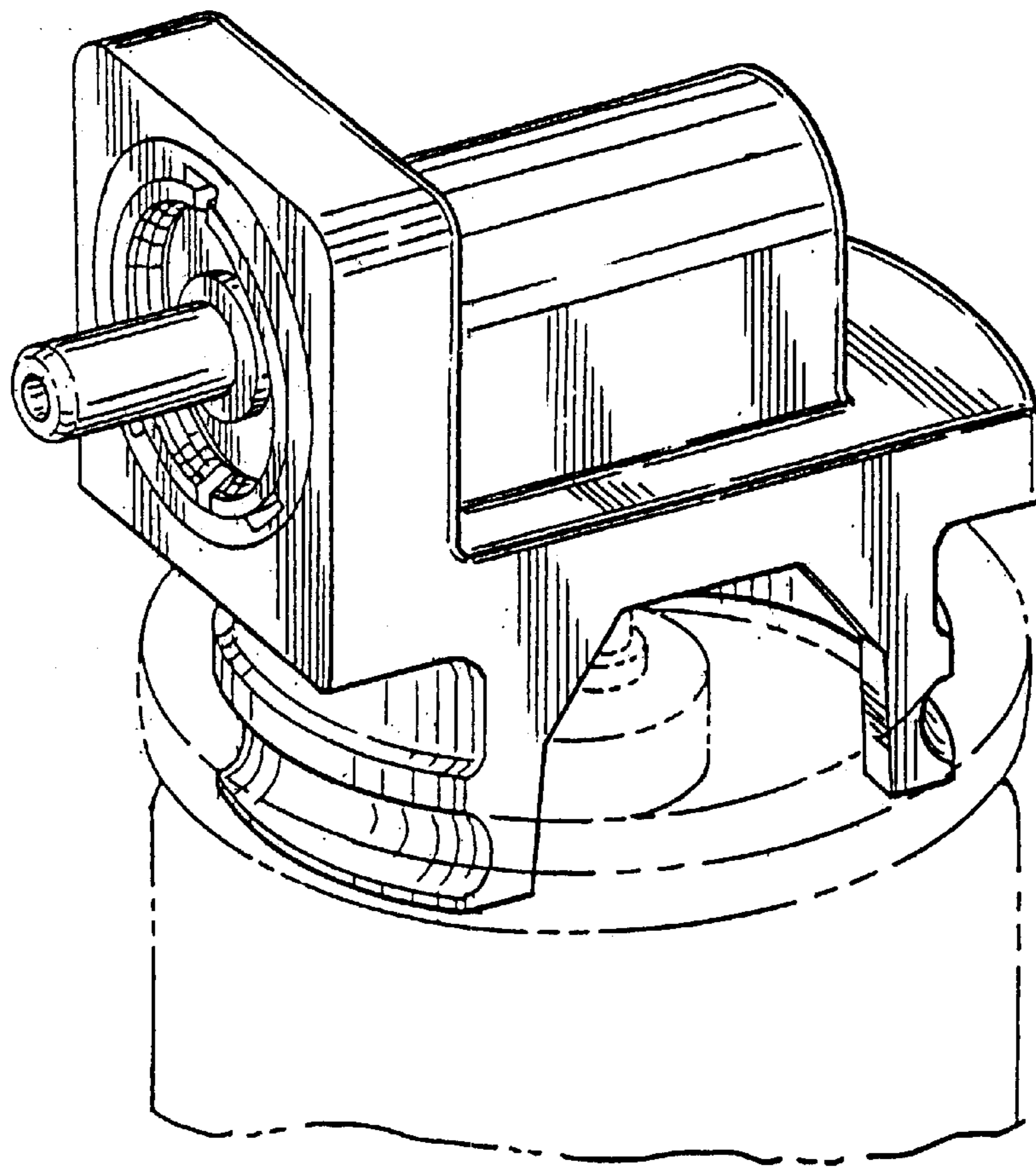


FIG.2

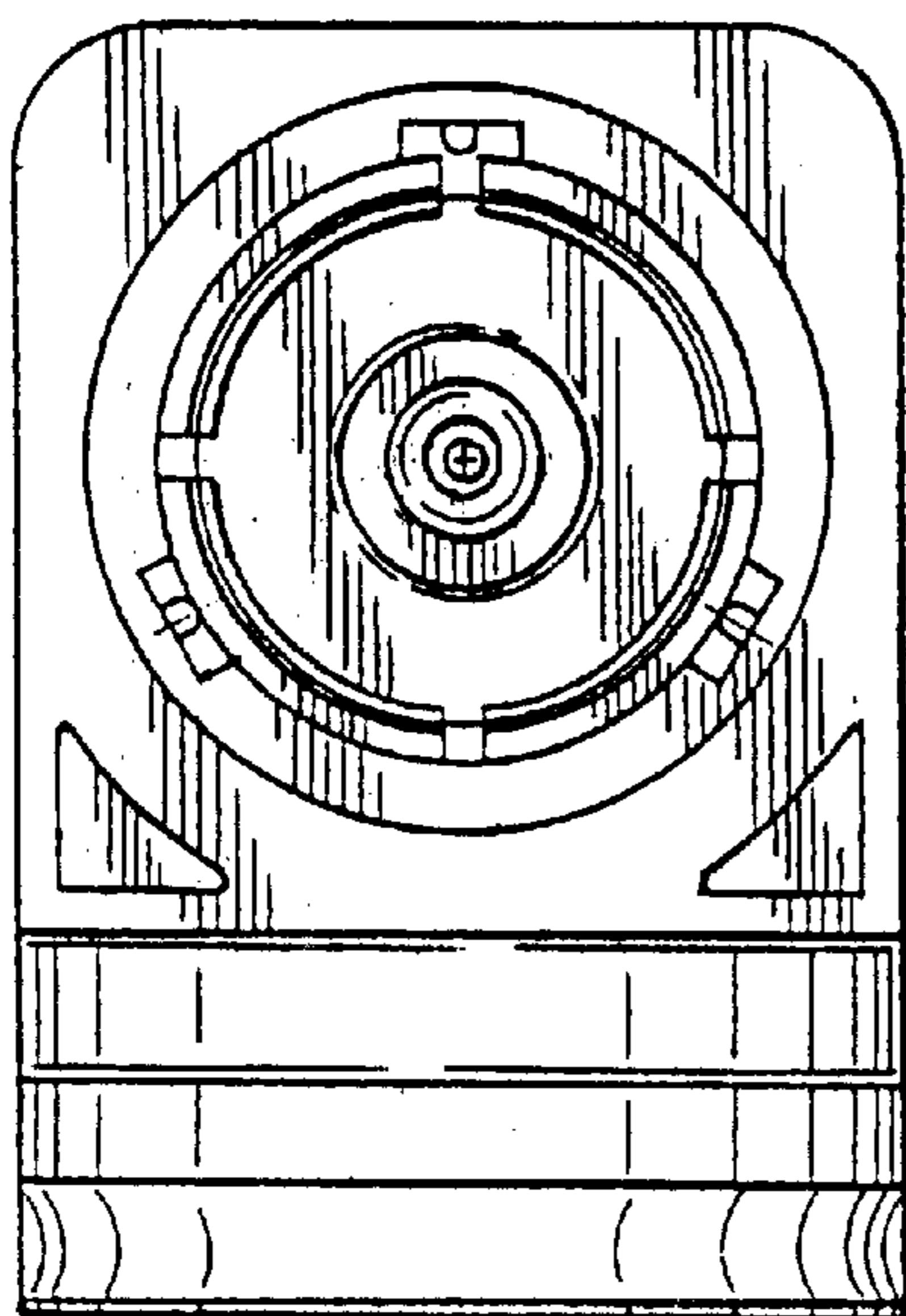


FIG.3

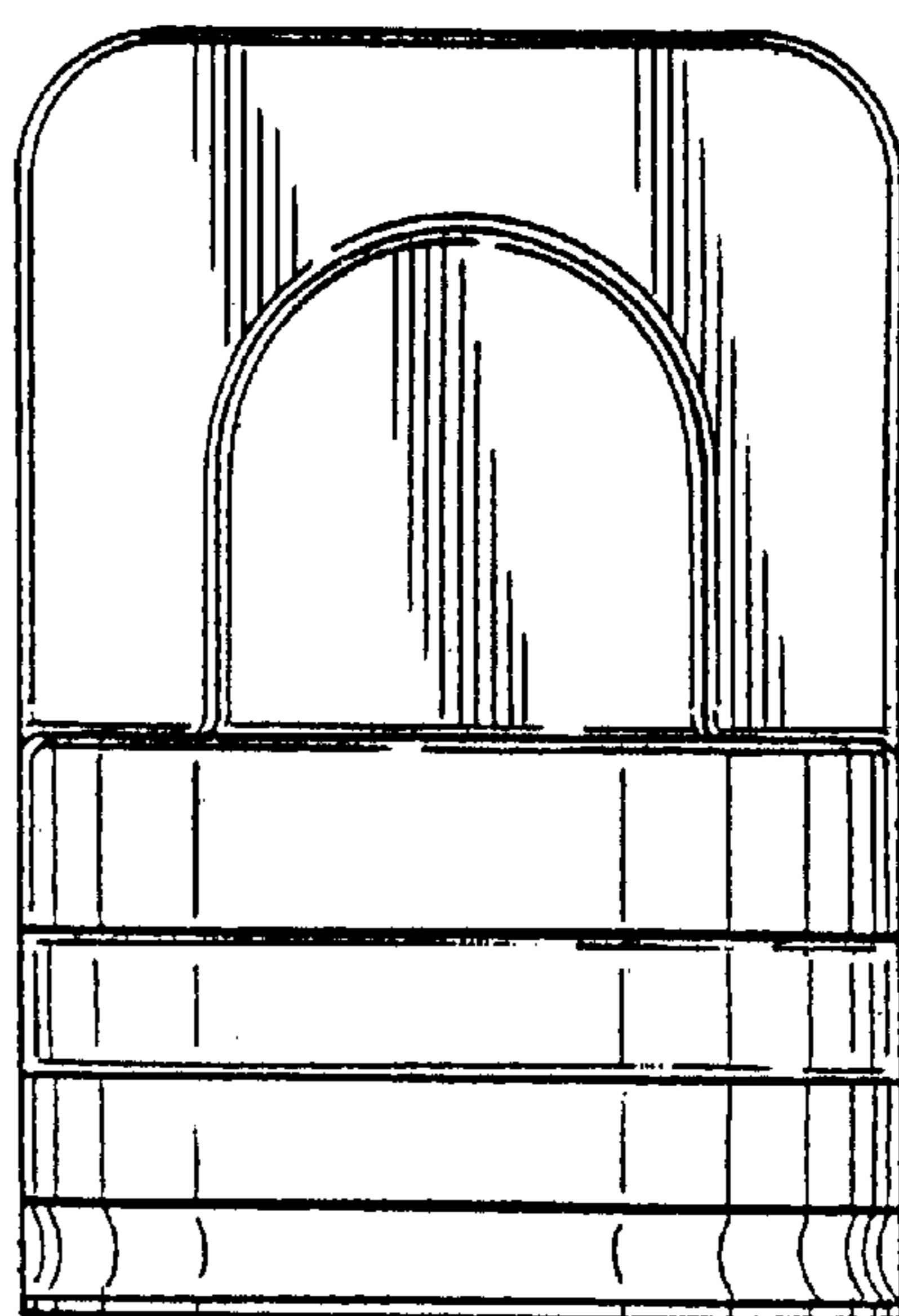


FIG.4

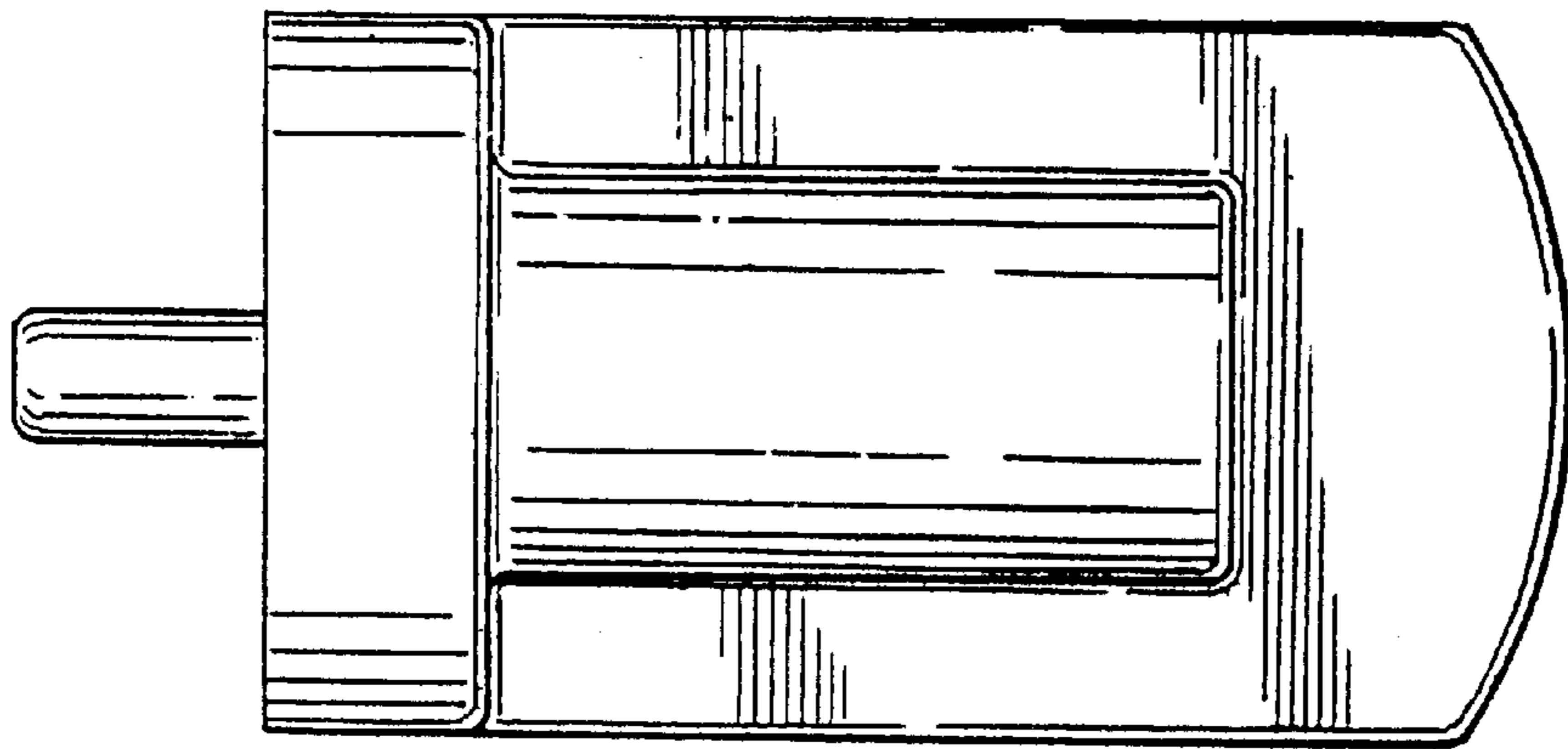


FIG.5

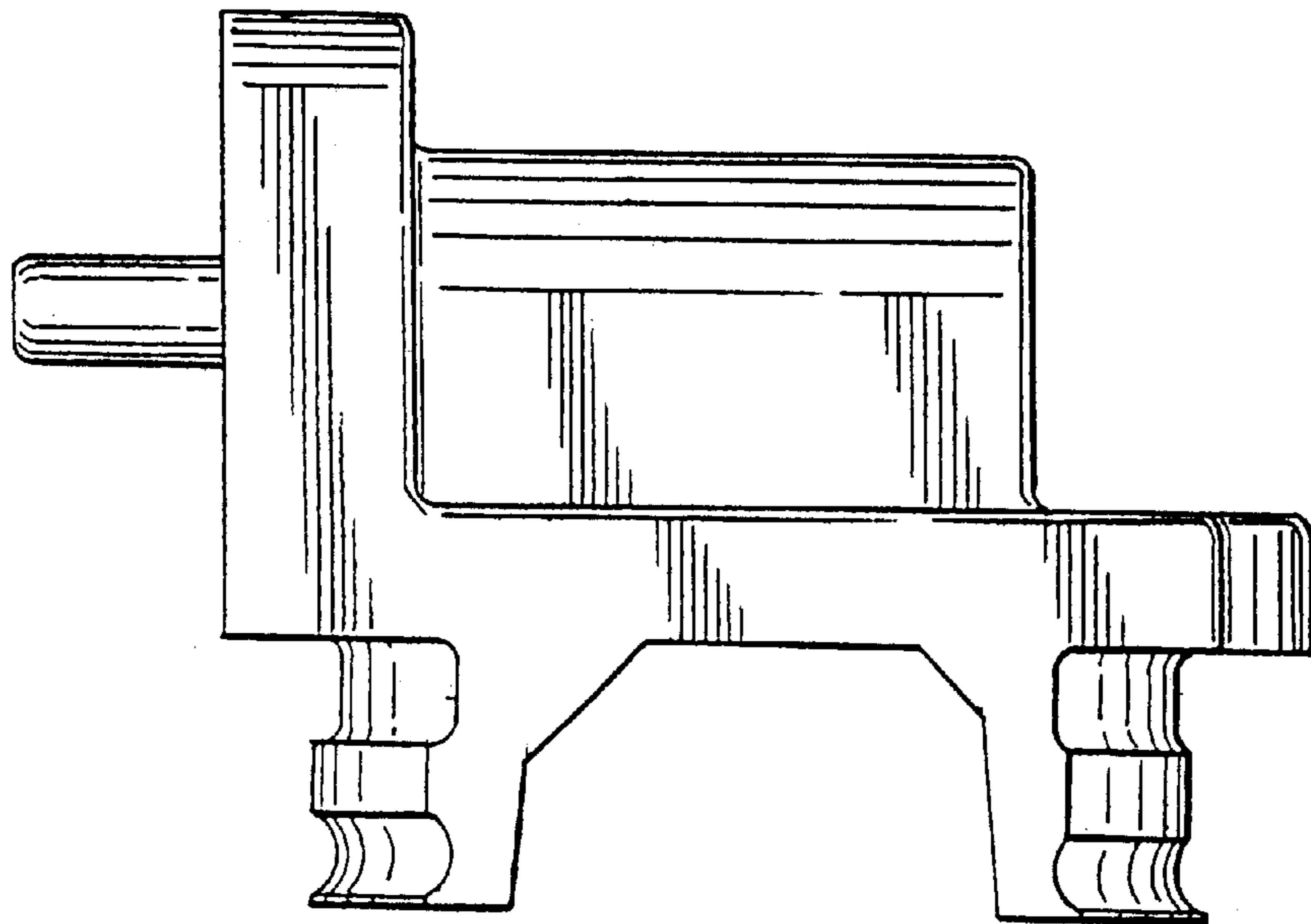


FIG.6

