



US00D457809S

(12) **United States Design Patent**
Holbrook

(10) **Patent No.:** **US D457,809 S**

(45) **Date of Patent:** **** May 28, 2002**

(54) **CASTER**

(76) Inventor: **Richard Holbrook**, 1915 Midlothian Dr., Altadena, CA (US) 91001

(**) Term: **14 Years**

(21) Appl. No.: **29/144,983**

(22) Filed: **Jul. 13, 2001**

Related U.S. Application Data

(62) Division of application No. 29/133,111, filed on Nov. 22, 2000.

(51) **LOC (7) Cl.** **08-05**

(52) **U.S. Cl.** **D8/375**

(58) **Field of Search** D8/375, 374; D12/133; 16/34, 18 R, 18 CG, 39, 29, 45, 27; 190/18 A; 248/129

(56) **References Cited**

U.S. PATENT DOCUMENTS

672,138 A	4/1901	Stockwell	
1,671,774 A	5/1928	McIntosh	
2,430,737 A	* 11/1947	Roe	16/39
2,483,241 A	9/1949	Shepherd	
3,166,780 A	1/1965	Schultz, Jr.	
D241,004 S	* 8/1976	Pinaire	D8/375
D274,788 S	7/1984	Simonsen	
D288,286 S	2/1987	Screen	
4,669,580 A	6/1987	Neville	
4,700,430 A	10/1987	Raftery	
4,773,122 A	9/1988	Wilcox	
4,985,960 A	1/1991	Zun	
D326,221 S	5/1992	Brule	
D340,182 S	* 10/1993	Soltani	D8/375
D346,323 S	* 4/1994	Morooka	D8/375

5,415,252 A	5/1995	Estkowski	
D378,657 S	* 4/1997	Screen	D8/375
D380,373 S	* 7/1997	Screen	D8/375

OTHER PUBLICATIONS

Catalog, *shepherd* ® casters, Catalog 197, 1997, pp. 1-22.
Catalog, *Haydock & Superba Casters*, 1996, pp. 1-21.

* cited by examiner

Primary Examiner—Pamela Burgess

(74) *Attorney, Agent, or Firm*—Khorsandi Patent Law Group, A Law Corporation; Marilyn R. Khorsandi

(57) **CLAIM**

The ornamental design of a caster, as shown and described.

DESCRIPTION

FIG. 1 is a perspective view of a caster showing my new design;

FIG. 2 is a front elevational view thereof;

FIG. 3 is a right side elevational view thereof, the undisclosed left side being a mirror image;

FIG. 4 is a top plan view thereof;

FIG. 5 is a rear elevational view thereof;

FIG. 6 is a bottom plan view thereof;

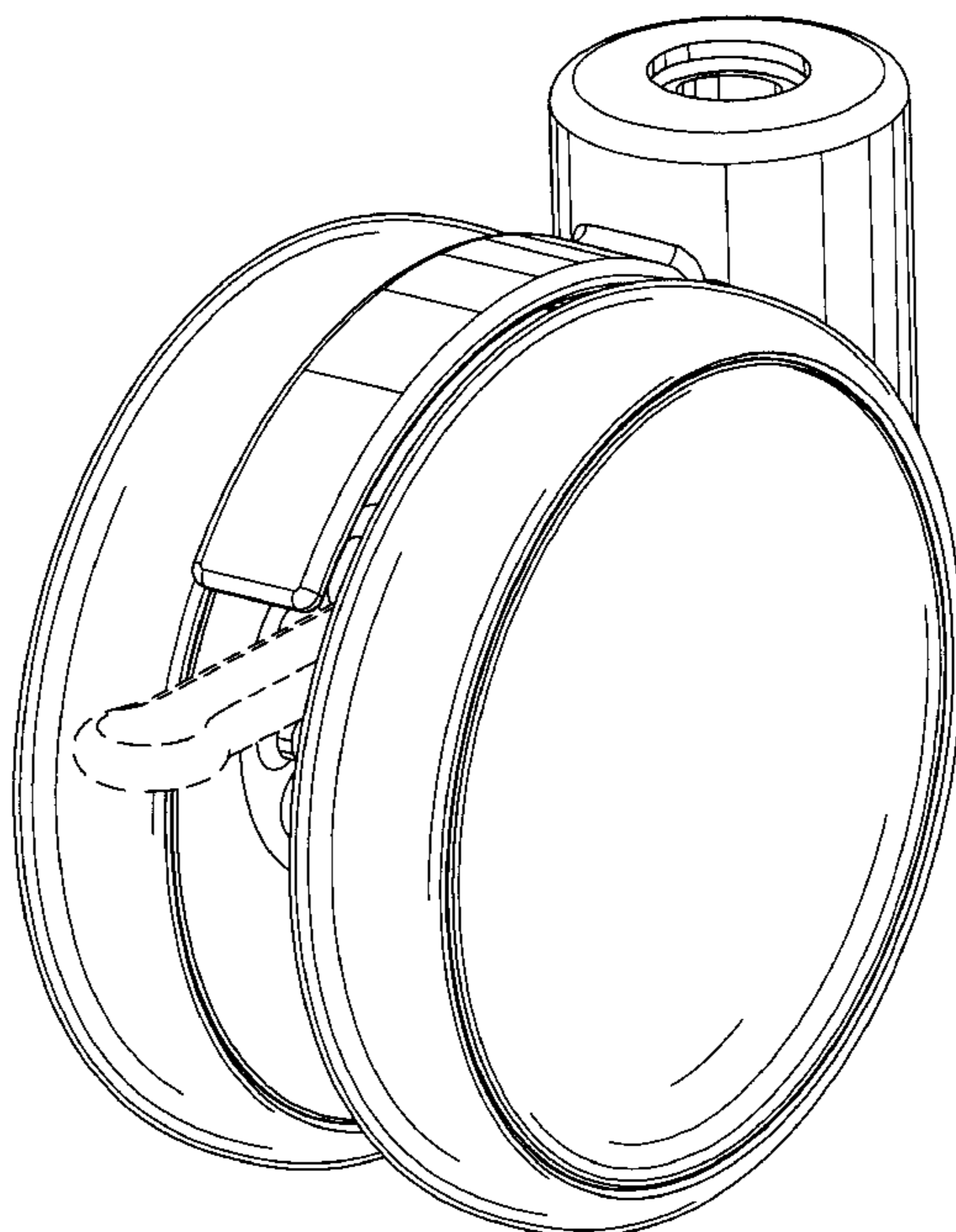
FIG. 7 is a cross-sectional view thereof, taken along line 7-7 of FIG. 2;

FIG. 8 is a cross-sectional view thereof, taken along line 8-8 of FIG. 3; and,

FIG. 9 is a perspective view of a caster showing a second embodiment thereof, it being understood that the only difference from the first embodiment is the interior broken line element.

The broken lines shown in the drawings are for illustrative purposes only and form no part of the claimed design.

1 Claim, 5 Drawing Sheets



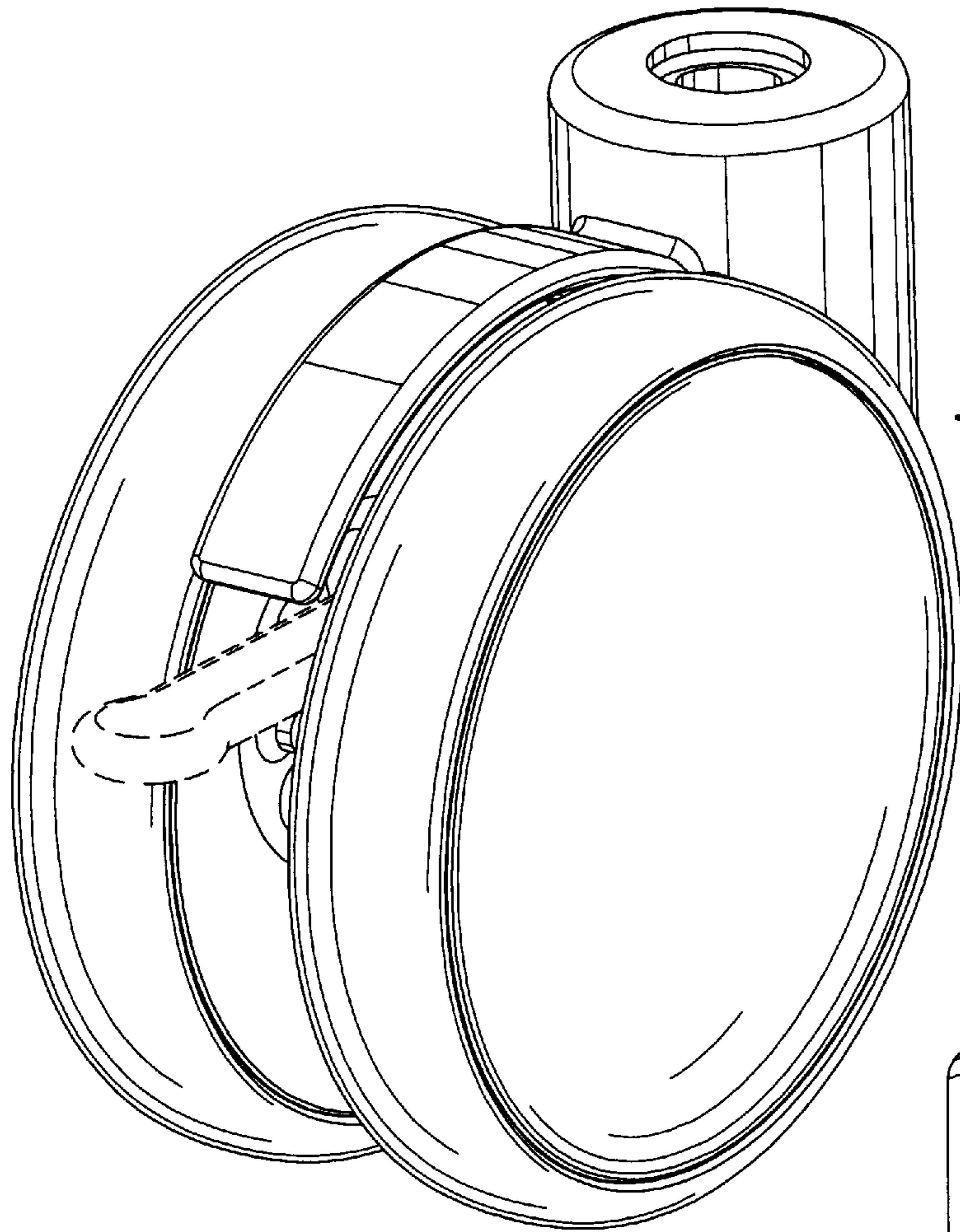


FIG. 1

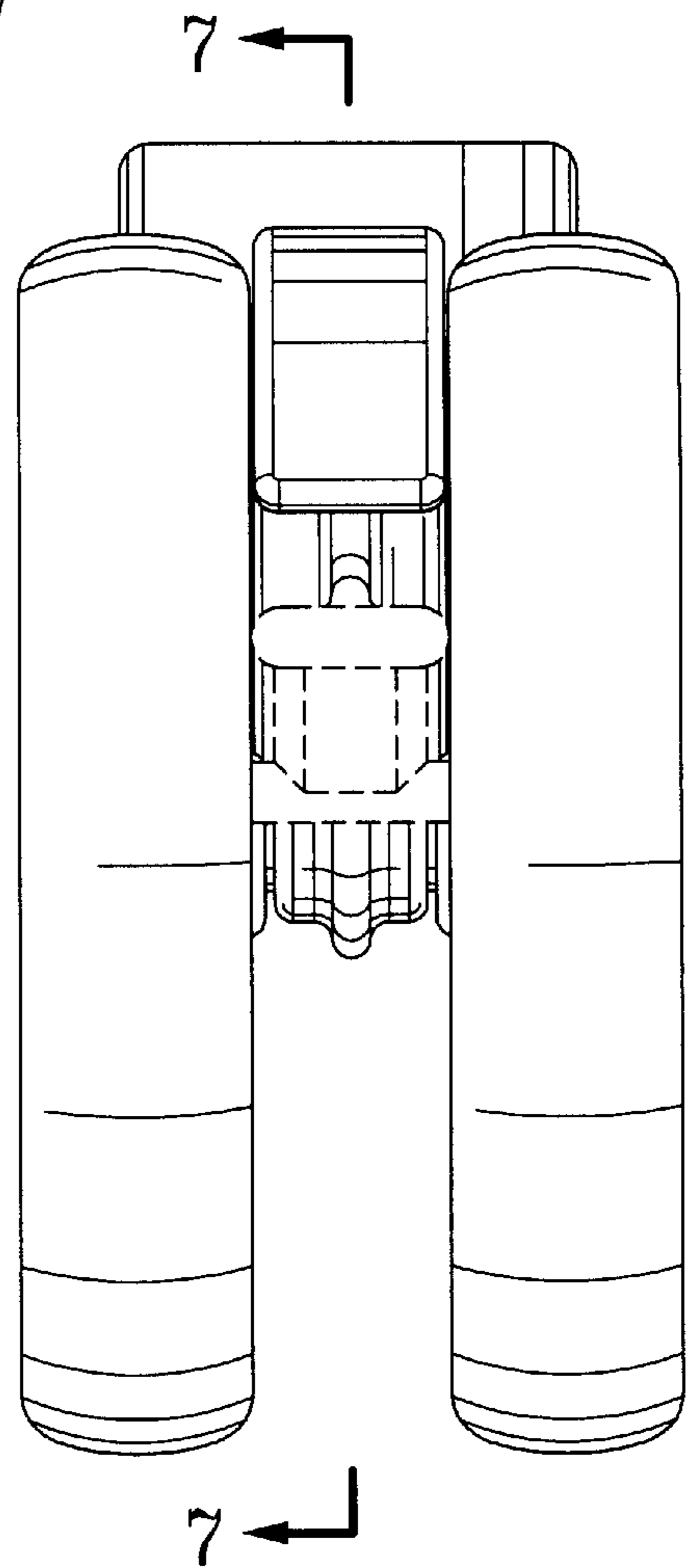
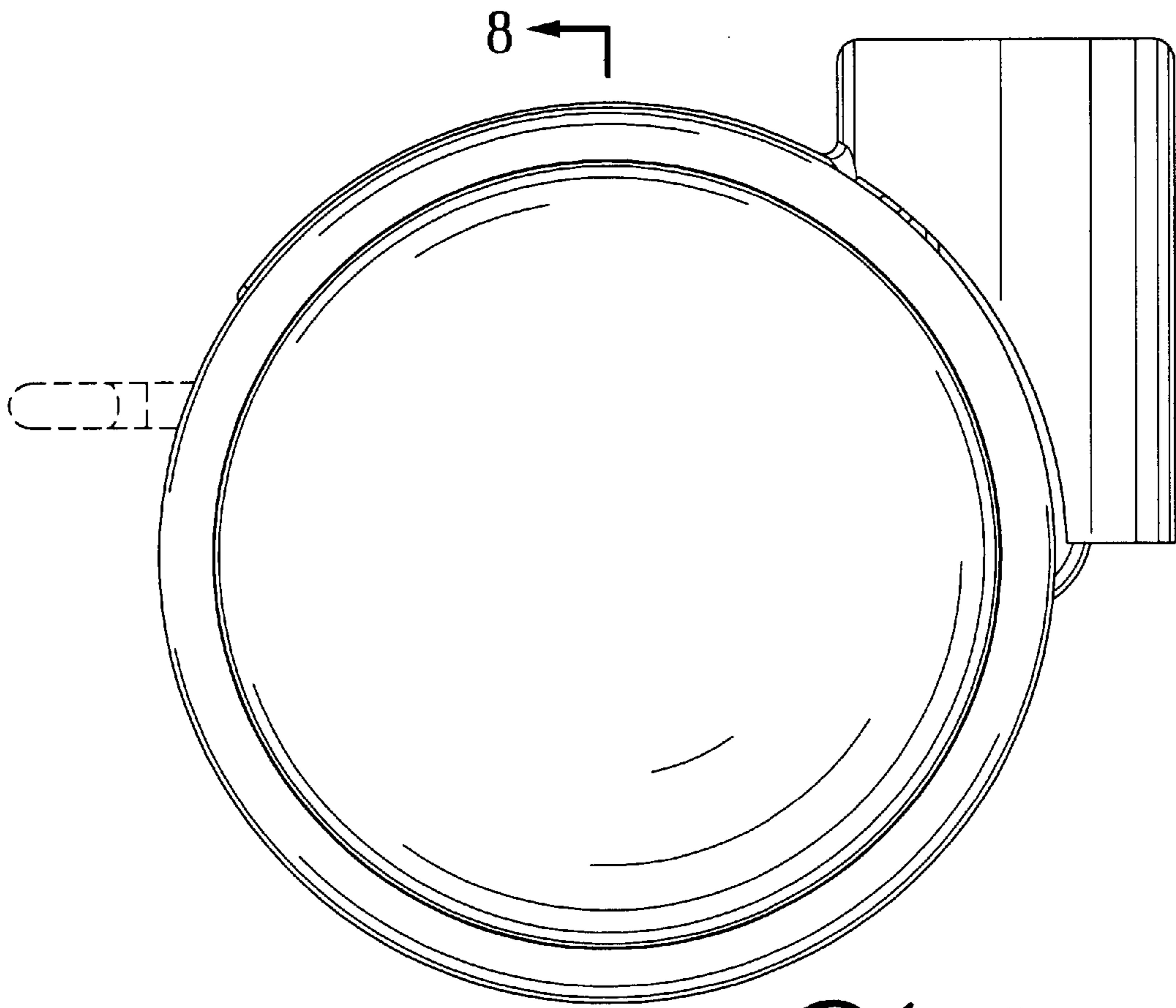


FIG. 2



8 ← *FIG. 3*

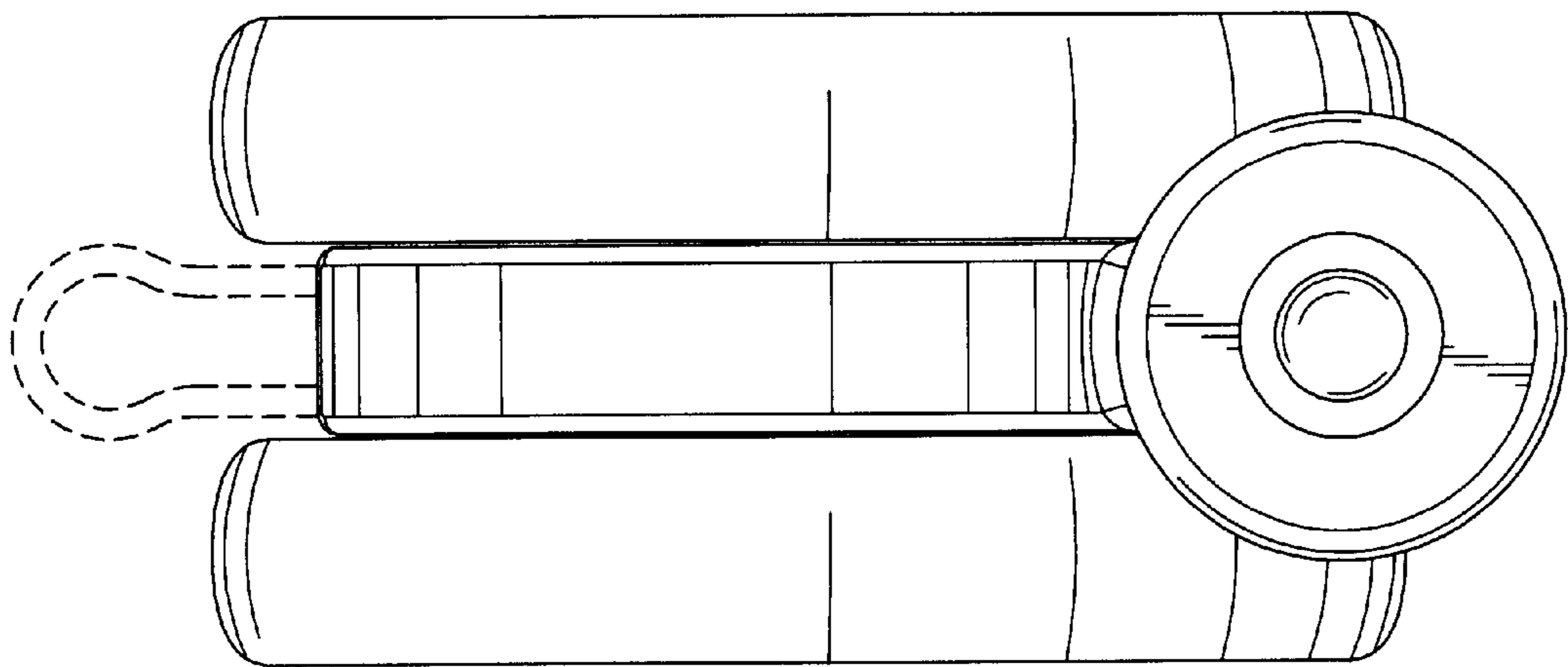


FIG. 4

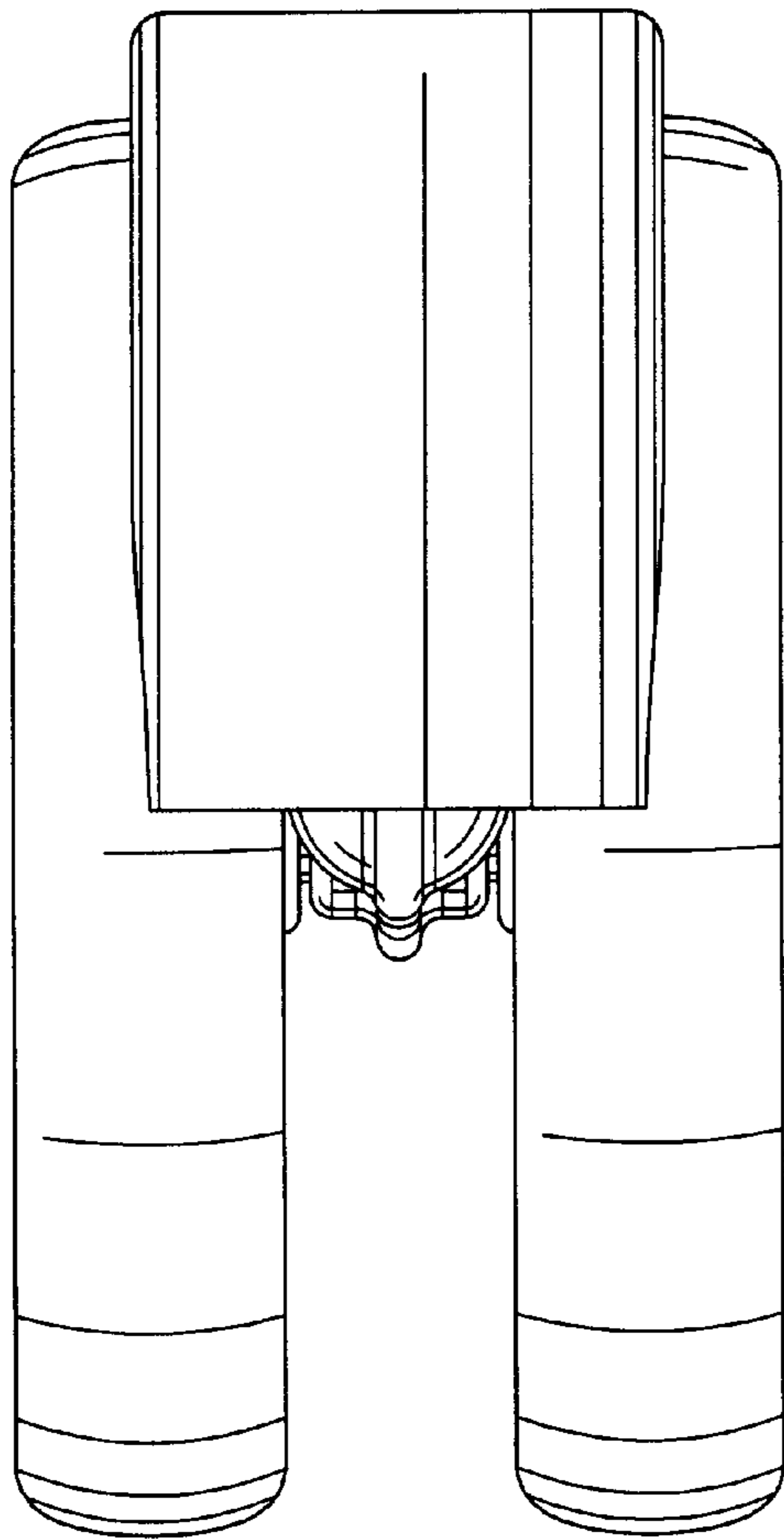


FIG. 5

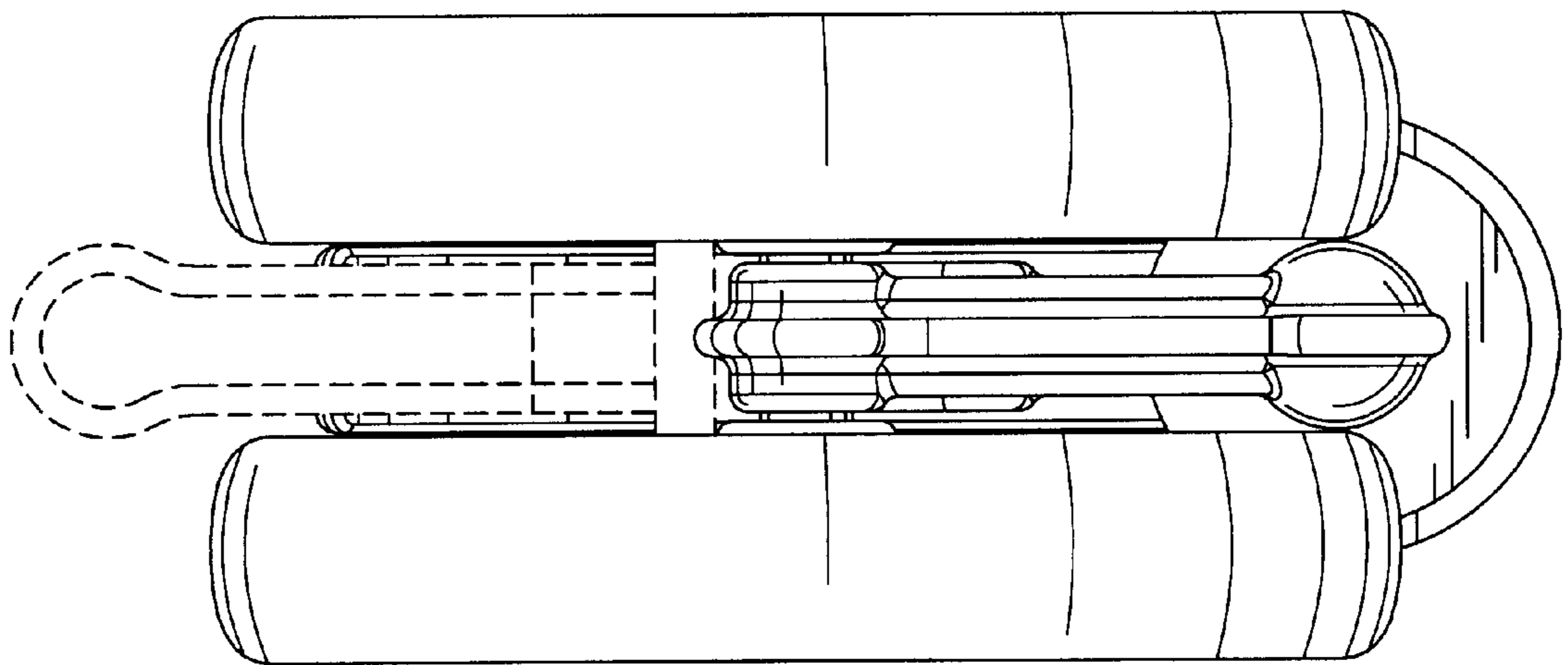


FIG. 6

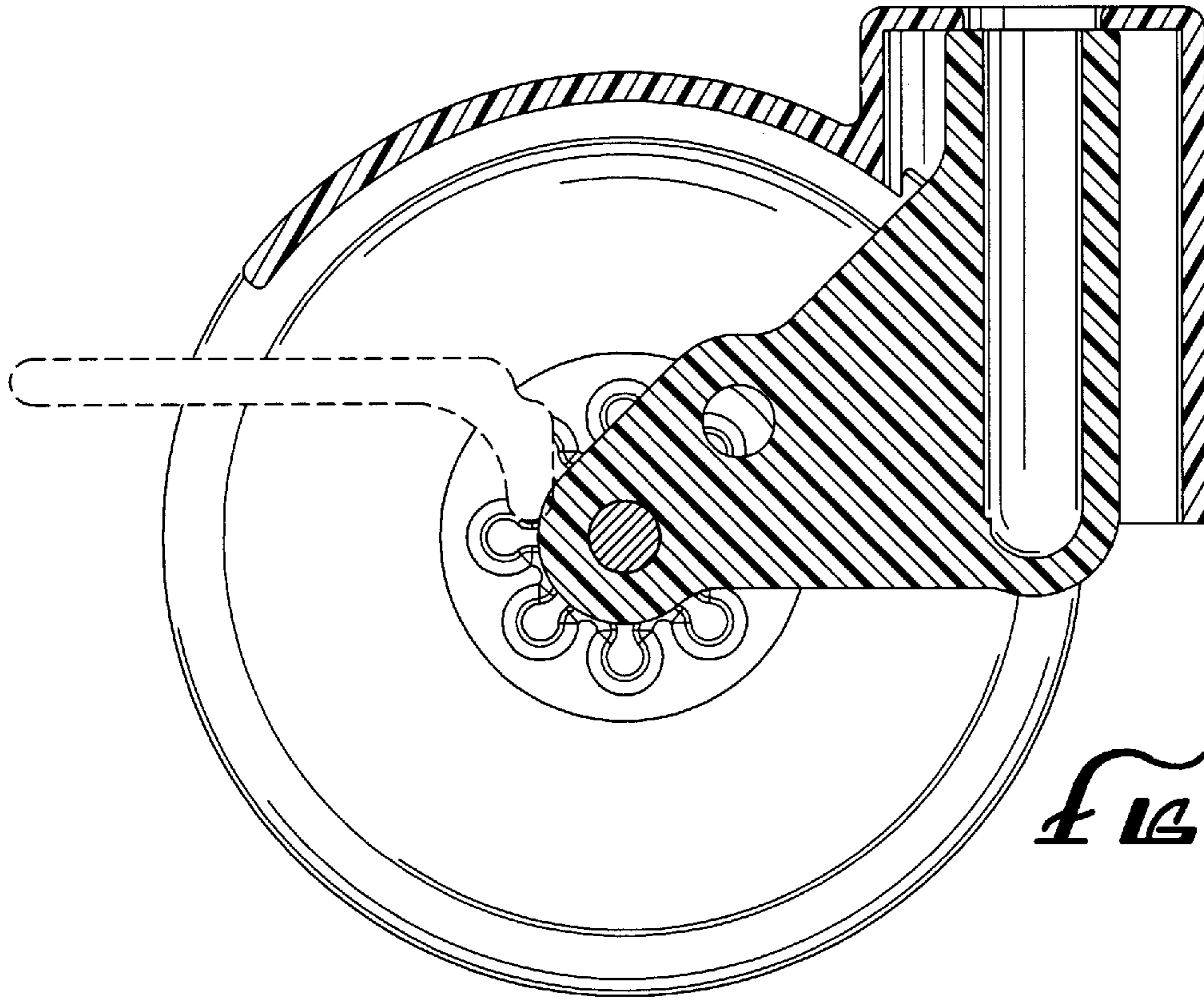


FIG. 7

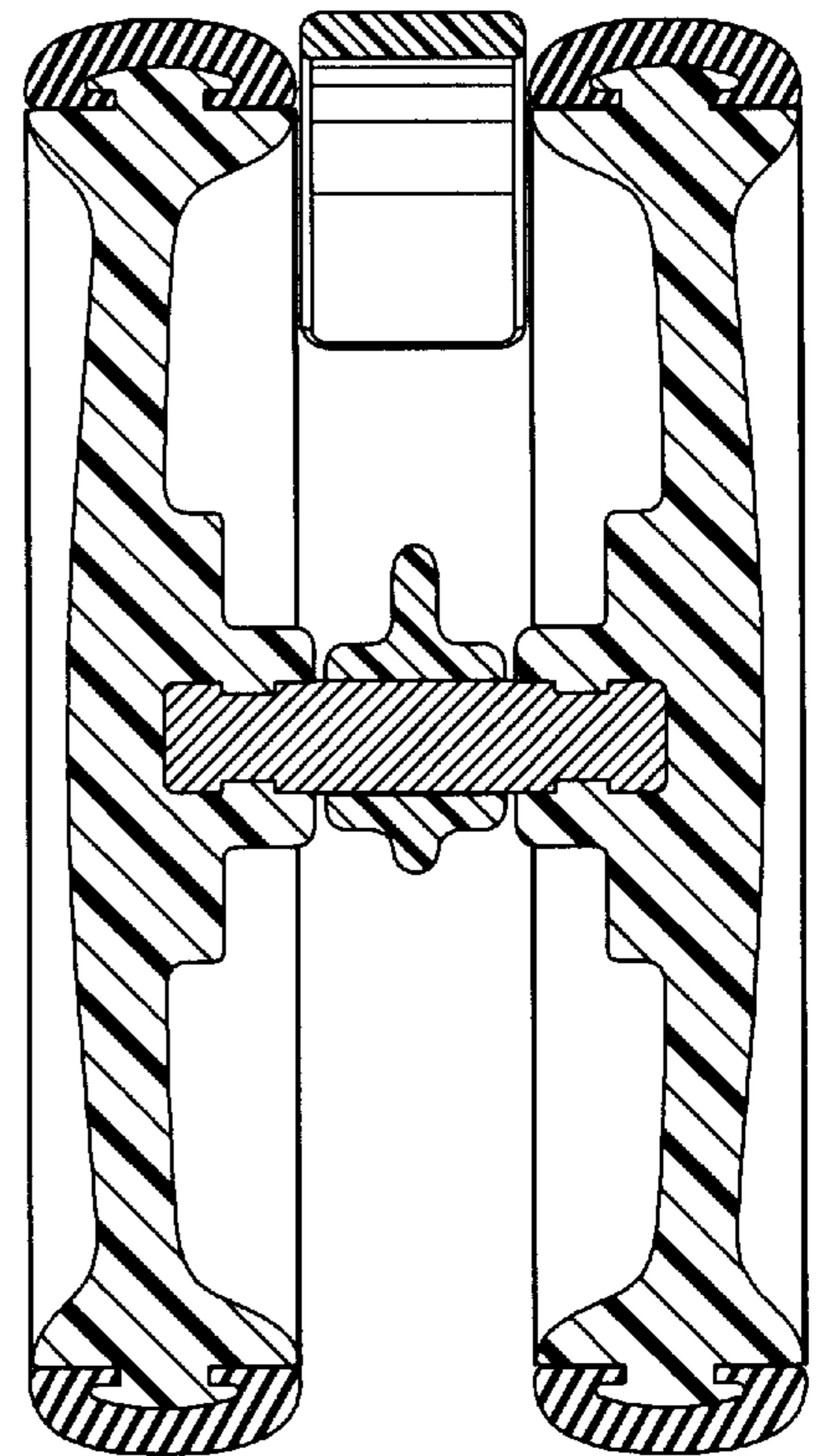


FIG. 8

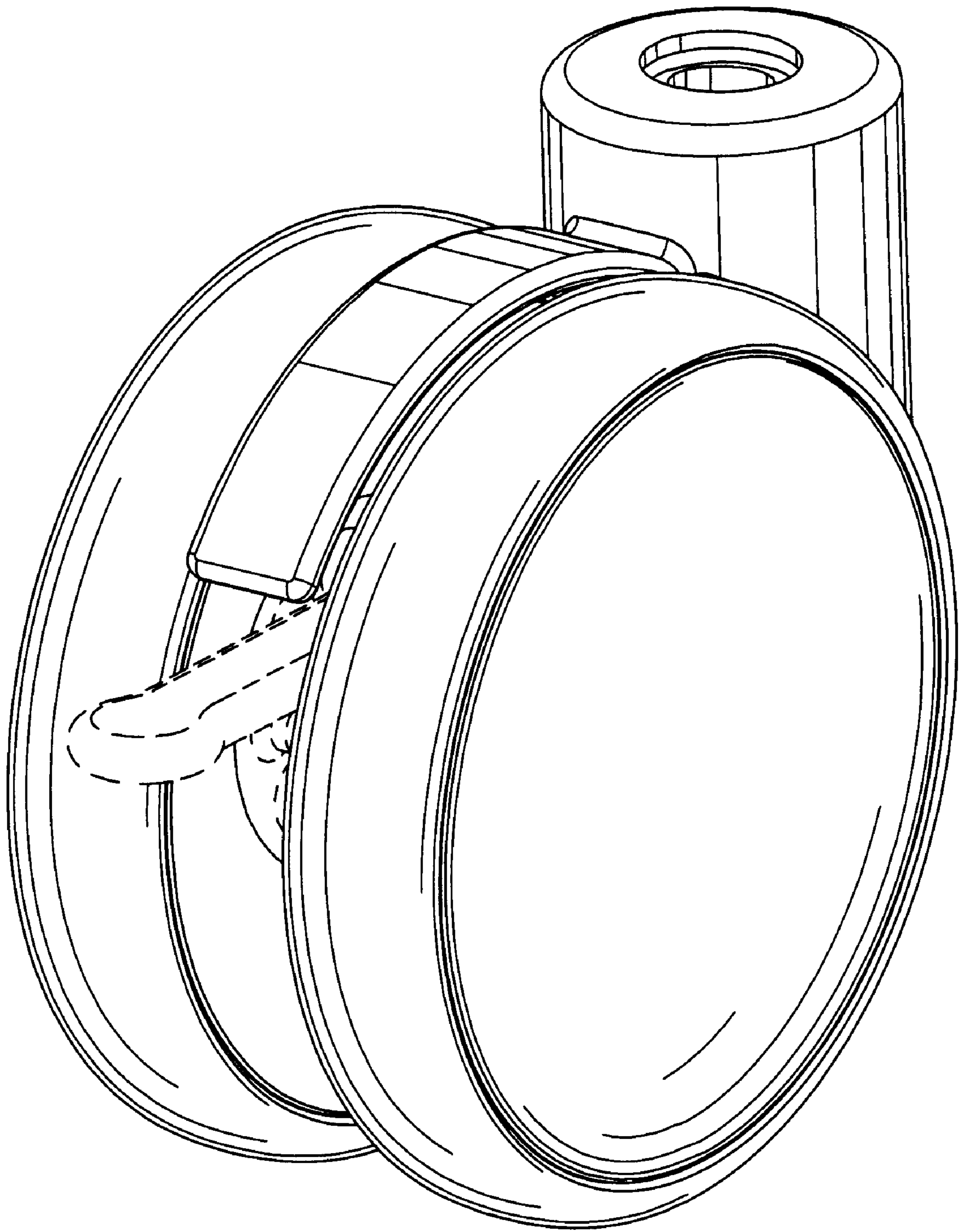


Fig. 9